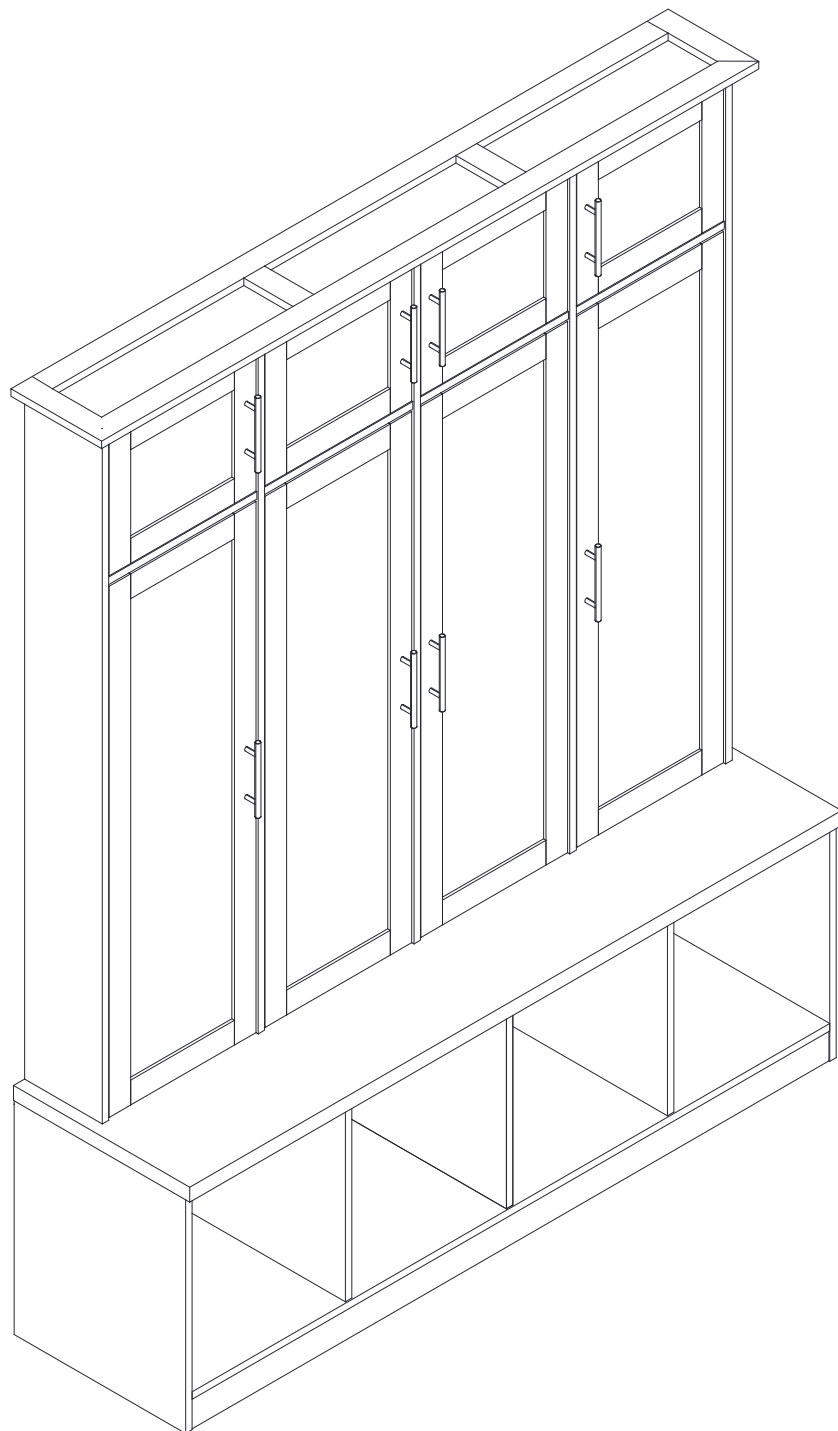


Assembly Instructions - Please keep for future reference



Dimensions

Width- 59.05inch

Depth-15.75inch

Height-74.80inch

Important – Please read these instructions fully before starting assembly



Safety and Care Advice

Important – Please read these instructions fully before starting assembly

- Check you have all the components and tools listed on the following pages.
- Remove all fittings from the plastic bags and separate them into their groups.
- Keep children and animals away from the work area, small parts could choke if swallowed.
- Make sure you have enough space to layout the parts before starting.

- During assembly do not stand or put weight on the product, this could cause damage.
- Assemble the item as close to its final position (in the same room) as possible.
- Assemble on a soft level surface to avoid damaging the unit or your floor.
- Parts of the assembly will be easier with 2 people.



power drill is set on a low torque setting.

- To reduce the likelihood of damaging your product please ensure that your

Care and maintenance

- Only clean using a damp cloth and mild detergent, do not use bleach or abrasive cleaners.
- From time to time check that there are no loose screws on this unit.
- This product should not be discarded with household waste. Take to your local authority waste disposal centre.

Handy Hints

- Assemble all parts and bolts loosely during assembly, only once the product is complete should you fully tighten the bolts
- Regularly check and ensure That all bolts and fittings are tightend properly.

WARNING In order to help prevent overturning – please follow these instructions



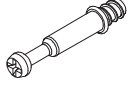



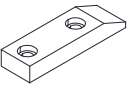
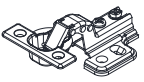
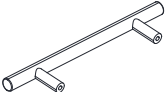
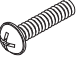

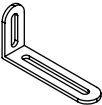



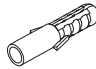
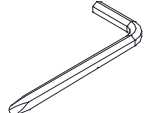

To help prevent product toppling over please follow the below steps:-

- Use the anti tip stap or wall fixing method provided (if applicable)
- Do not allow children to climb or hang on the furniture
- Do not open more than one drawer at a time
- Do not place heavy items in the top drawers
- Do not place heavy items on top of the furniture, unless the furniture has been designed for this purpose

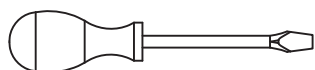
Components - Fittings

Please check you have all the panels listed below

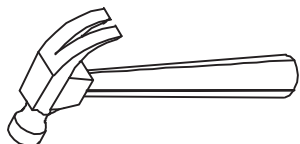
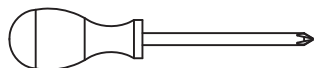
Note: The quantities below are the correct amount to complete the assembly. In some cases more fittings may be supplied than are required

<p>(A)  4*14mm Screw x 136</p>	<p>(B)  Hook x 4</p>	<p>(C)  Cam Bolt x 66</p>	<p>(D)  6*30mm Dowel x 58+1</p>
<p>(E)  Cam lock x 66</p>	<p>(F)  6*50mm Dowel x 15+1</p>	<p>(G)  x 8</p>	<p>(H)  Hinge x 20</p>
<p>(I)  Handle x 8</p>	<p>(J)  4*20mm Screw x 16</p>	<p>(K)  4*35mm Screw x 8</p>	<p>(L)  x 2</p>
<p>(M)  4*12mm Screw x 2</p>	<p>(P)  Back Panel Buckle x 22</p>	<p>(Q)  3*16mm Screw x 30</p>	<p>(R)  Plastic expansion x 2</p>
<p>(S)  Allen key x 1</p>	<p>(N)  Perfect fit x 66</p>		

Tools required Not Included



Phillips screwdriver
(medium & large)



Using Camlocks

Step 1

Connect the male camlock as directed in the assembly instructions using a screwdriver.

1

DO NOT OVER TIGHTEN.
NE PAS SERRER EXCESSIVEMENT.



Step 2

Push the male camlock into the entry hole.

2

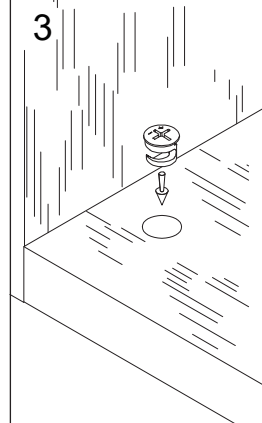


Step 3

Insert the female camlock as shown in the instruction.

Note: ensure that the arrow on the top of the camlock points towards the entry hole for the male camlock.

3



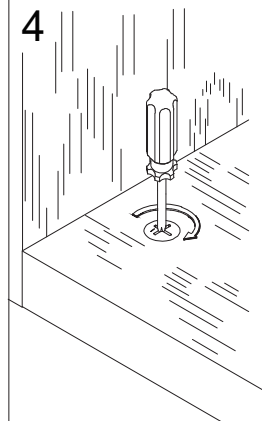
Step 4

Turn the female camlock clockwise with a screwdriver.

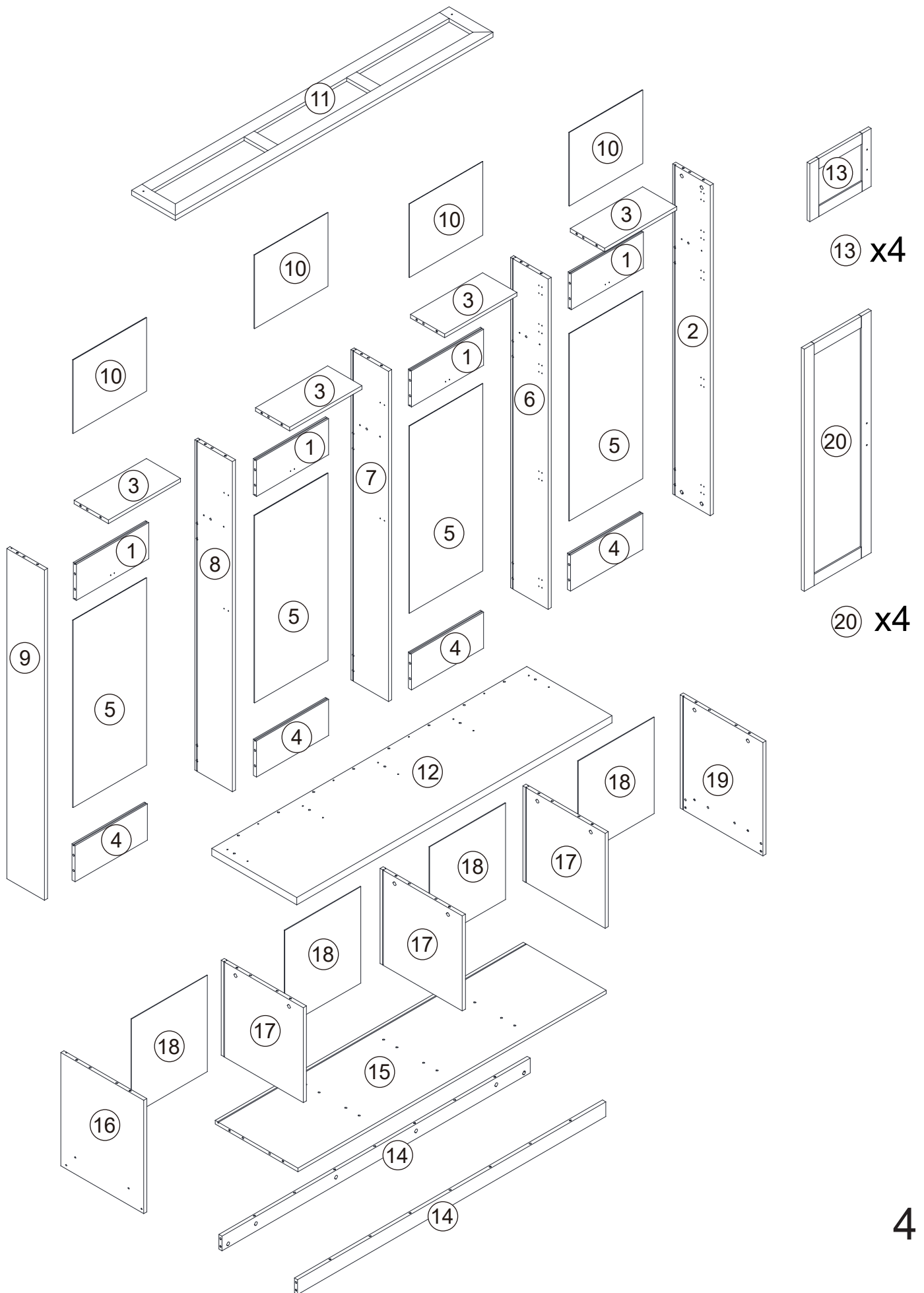
You should feel a click when the camlock is locked in place.

The joint is now secure.

4








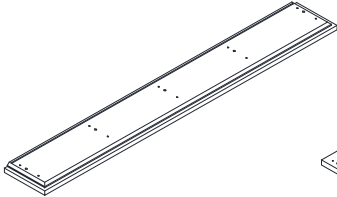
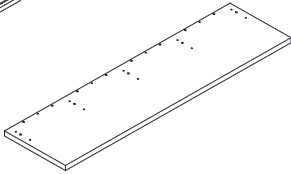
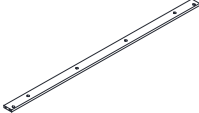
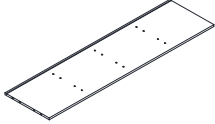
Assembly Instructions



PART LIST

There are 2 boxes of this product.

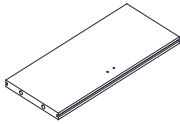
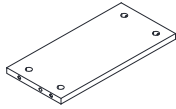
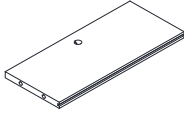
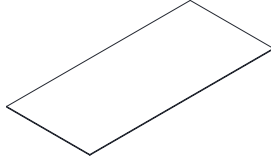
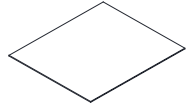
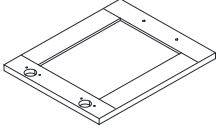
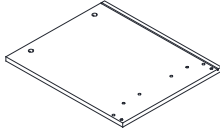
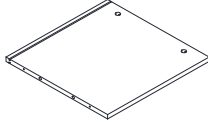
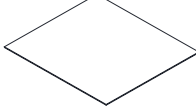
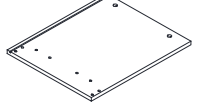
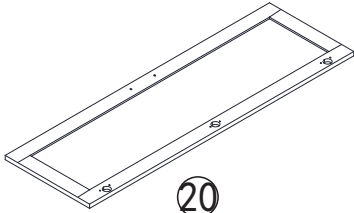

Box 1: N721P234410

 ② x1	 ⑥ x1	 ⑦ x1	 ⑧ x1	
upper right side panel 1370x180x15mm	middle back panel 1370x180x15mm	middle partition 1370x180x15mm	middle partition 1370x180x15mm	
 ⑨ x1	 ⑪ x1	 ⑫ x1	 ⑭ x2	 ⑮ x1
upper left side panel 1370x180x15mm	top panel 1492x195x15mm	seat panel 1510x408x15mm	toe tick 1468x60x15mm	bottom 1468x396x15mm

PART LIST

There are 2 boxes of this product.

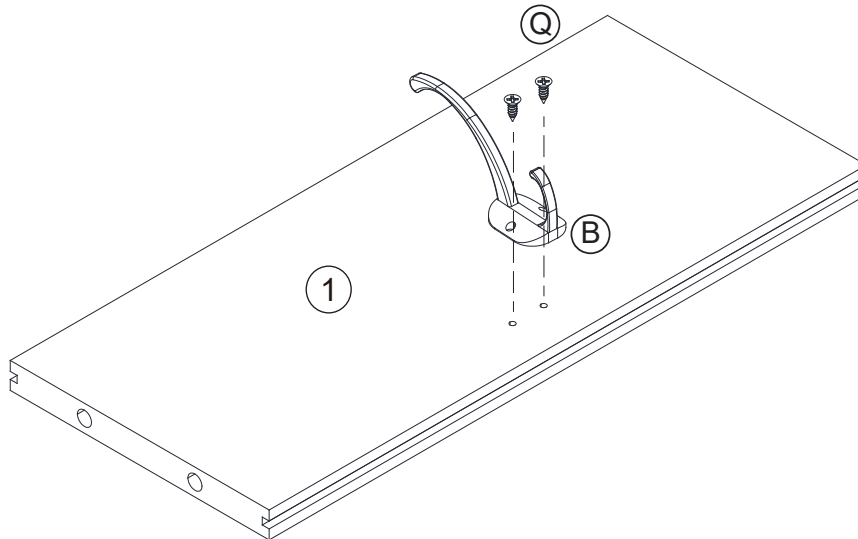
Box 2: N721P234411

				
<p>①</p>	<p>③</p>	<p>④</p>	<p>⑤</p>	<p>⑩</p>
<p>x4</p>	<p>x4</p>	<p>x4</p>	<p>x4</p>	<p>x4</p>
<p>upper brace 346x150x15mm</p>	<p>upper shelf 346x164x15mm</p>	<p>lower brace 346x150x15mm</p>	<p>middle back panel 785x353x3mm</p>	<p>upper back panel 297x353x3mm</p>
				
<p>⑬</p>	<p>⑯</p>	<p>⑰</p>	<p>⑱</p>	<p>⑲</p>
<p>x4</p>	<p>x1</p>	<p>x3</p>	<p>x4</p>	<p>x1</p>
<p>small door panel 268x339x15mm</p>	<p>lower left side panel 470x397x15mm</p>	<p>lower partition 394x394x15mm</p>	<p>lower back panel 401x362x3mm</p>	<p>lower right side panel 470x397x15mm</p>
				
<p>⑳</p>				
<p>x4</p>				
<p>long door panel 1073x339x15mm</p>				
<p>Hardware kit x1</p>				

Assembly Instructions

Step 1

x4



Q



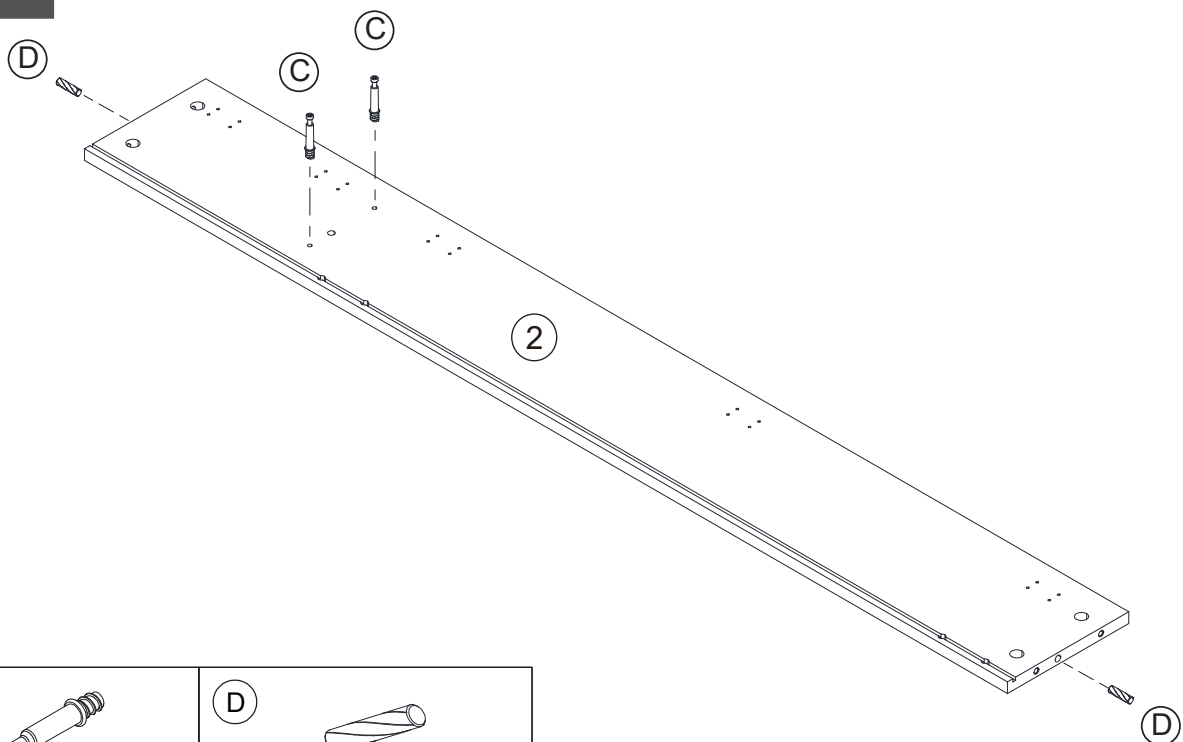
3*16mm Screw x 8

B

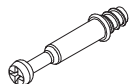


Hook x 4

Step 2



C



Cam Bolt x 2

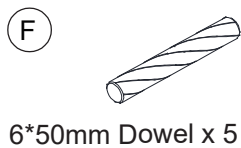
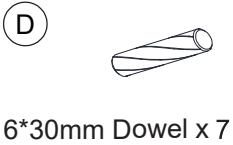
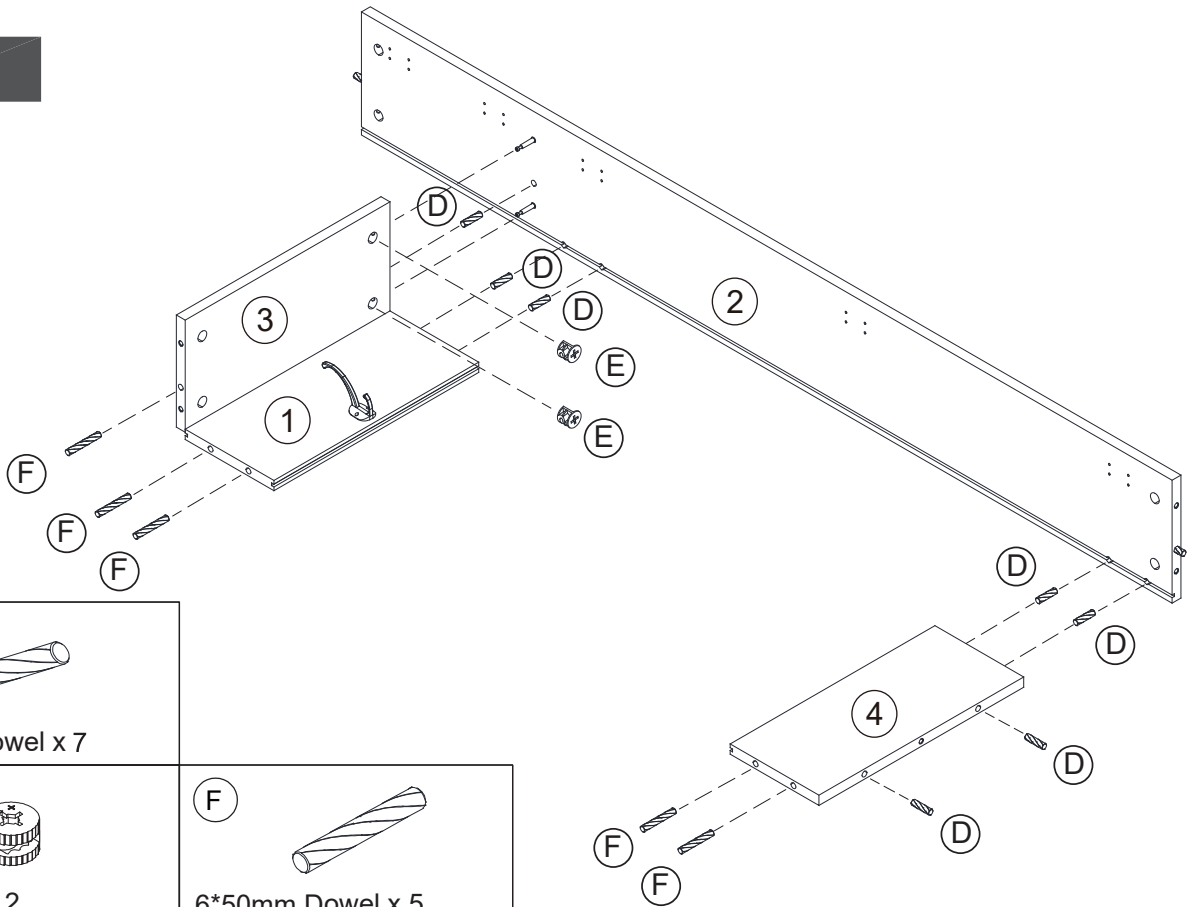
D



6*30mm Dowel x 2

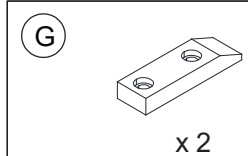
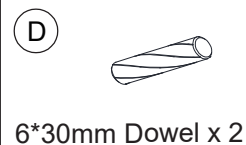
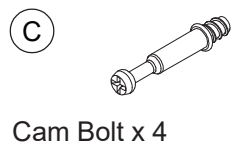
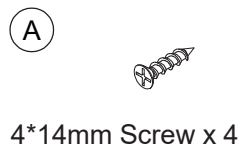
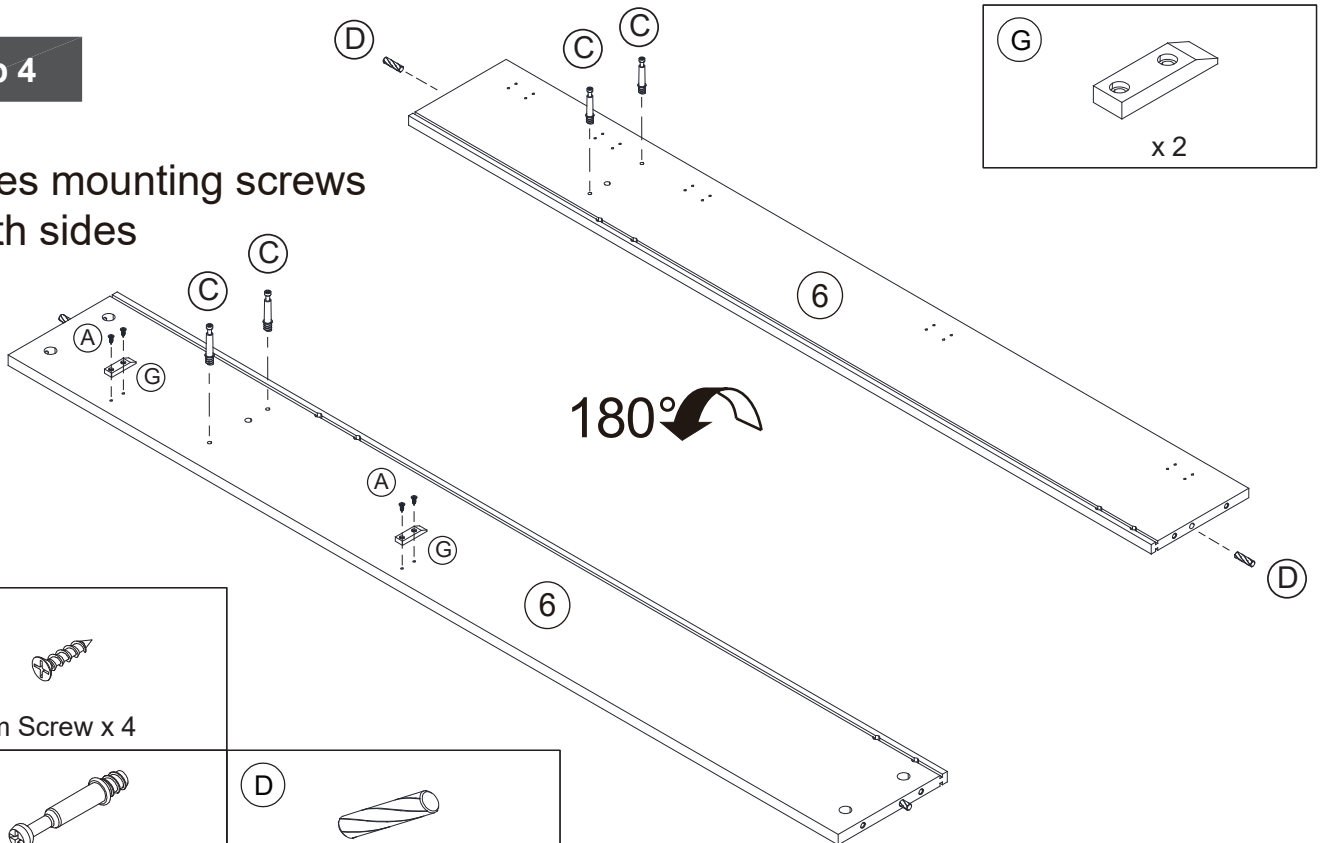
Assembly Instructions

Step 3



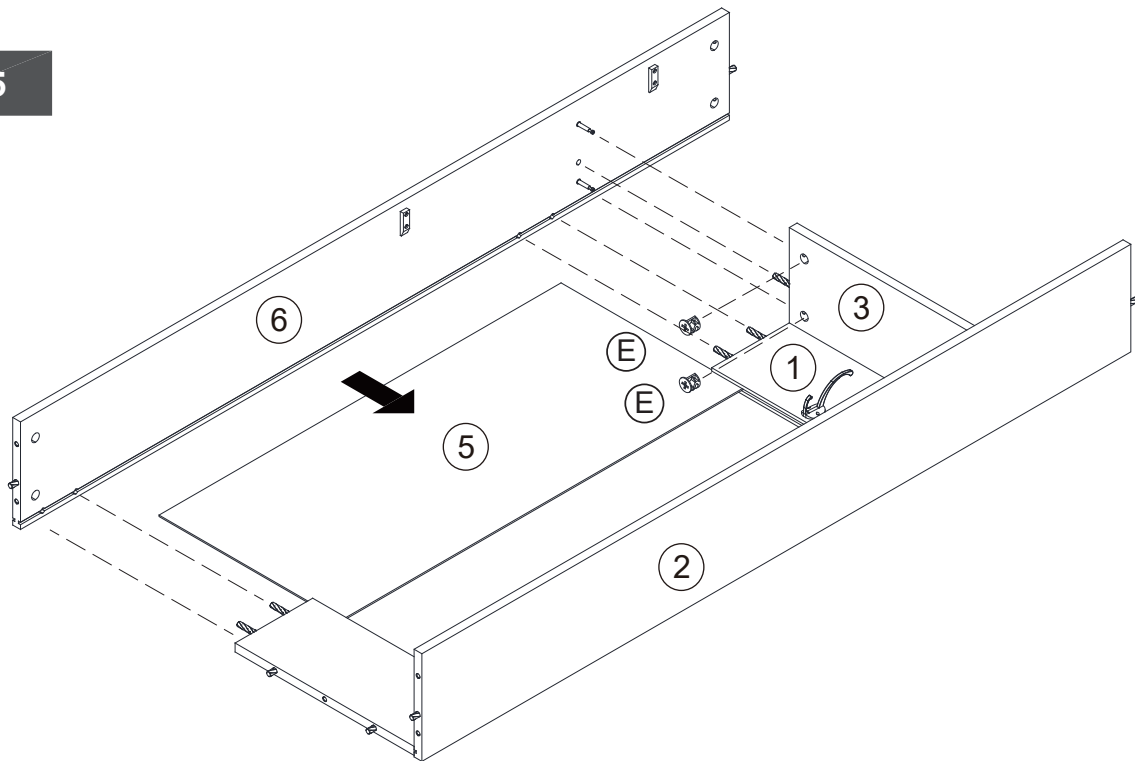
Step 4

Part 6
requires mounting screws
on both sides



Assembly Instructions

Step 5

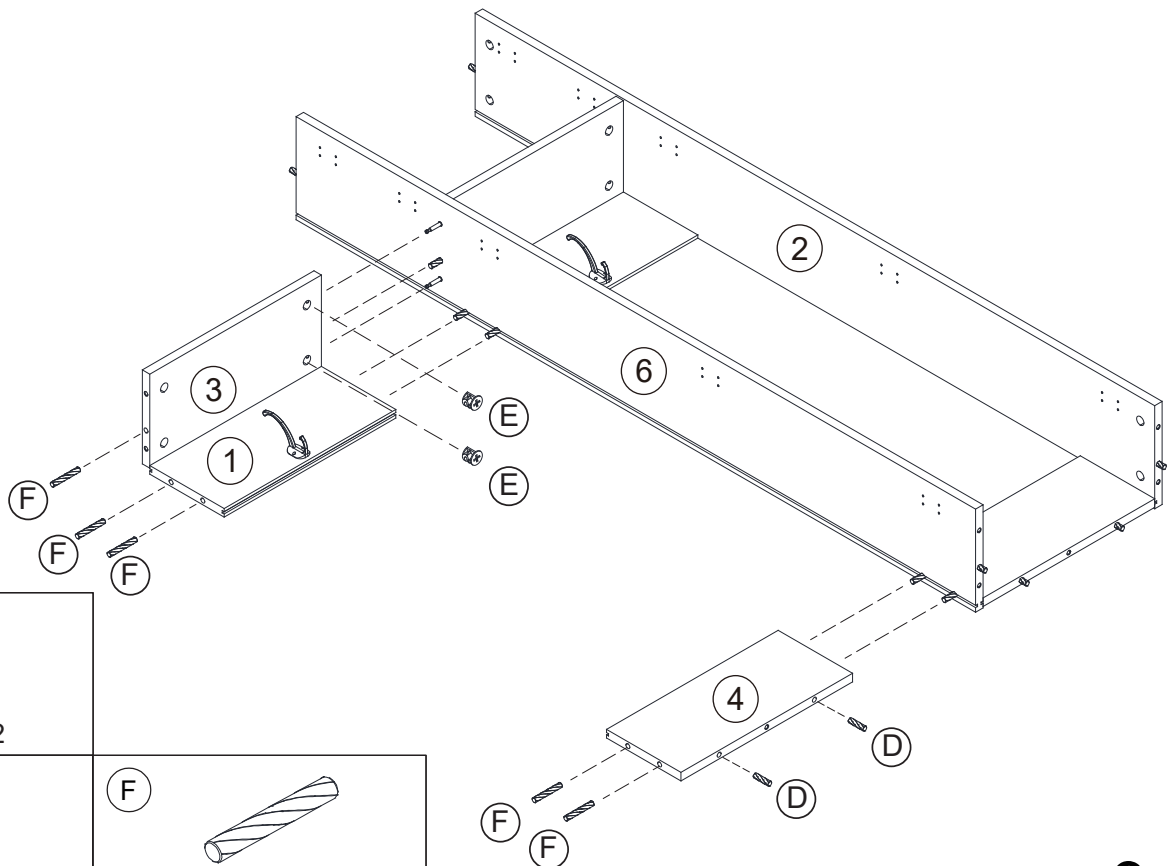


E



Cam lock x 2

Step 6



D



6*30mm Dowel x 2

E



Cam lock x 2

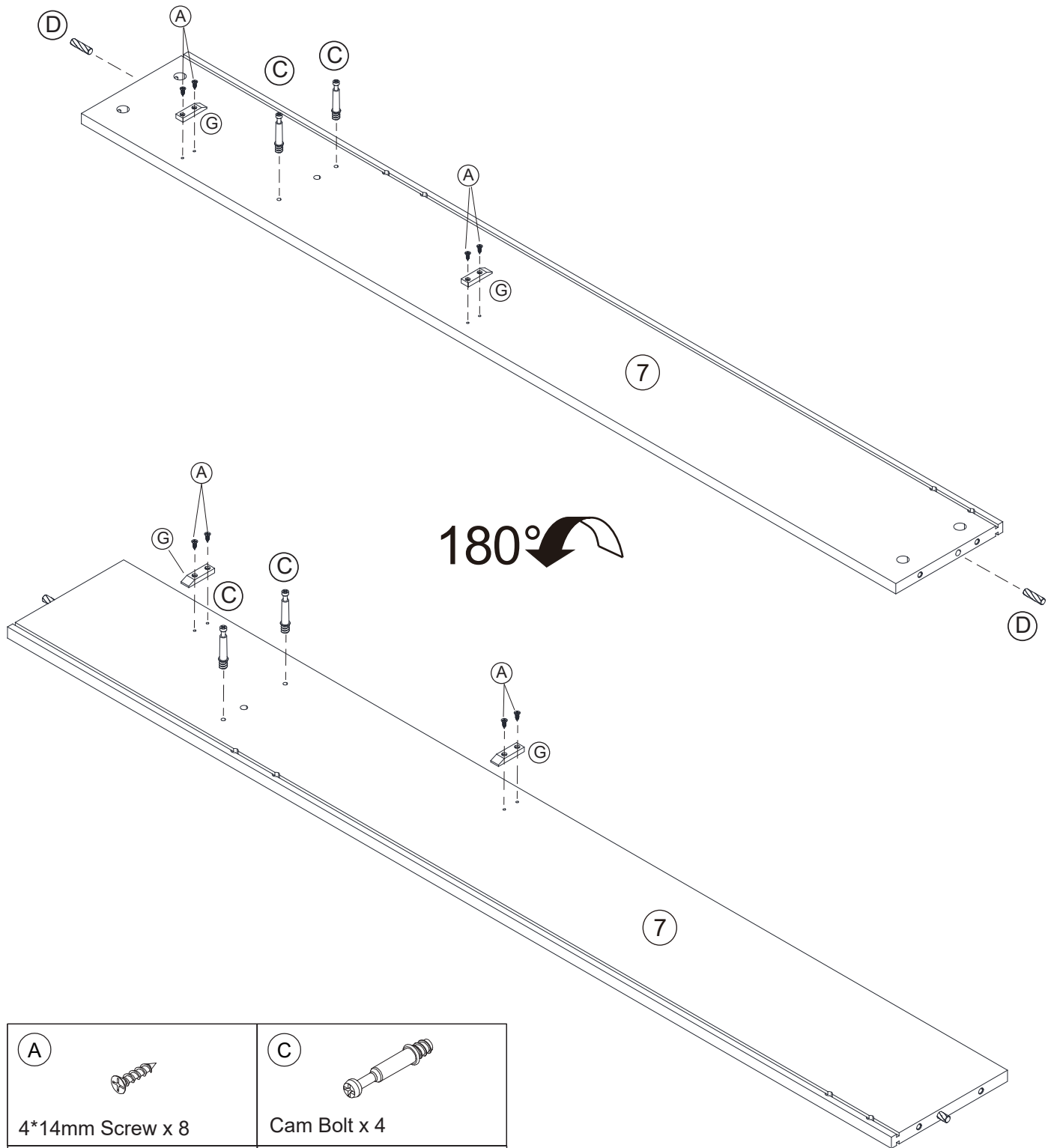
F


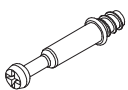

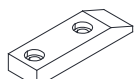


6*50mm Dowel x 5

Assembly Instructions

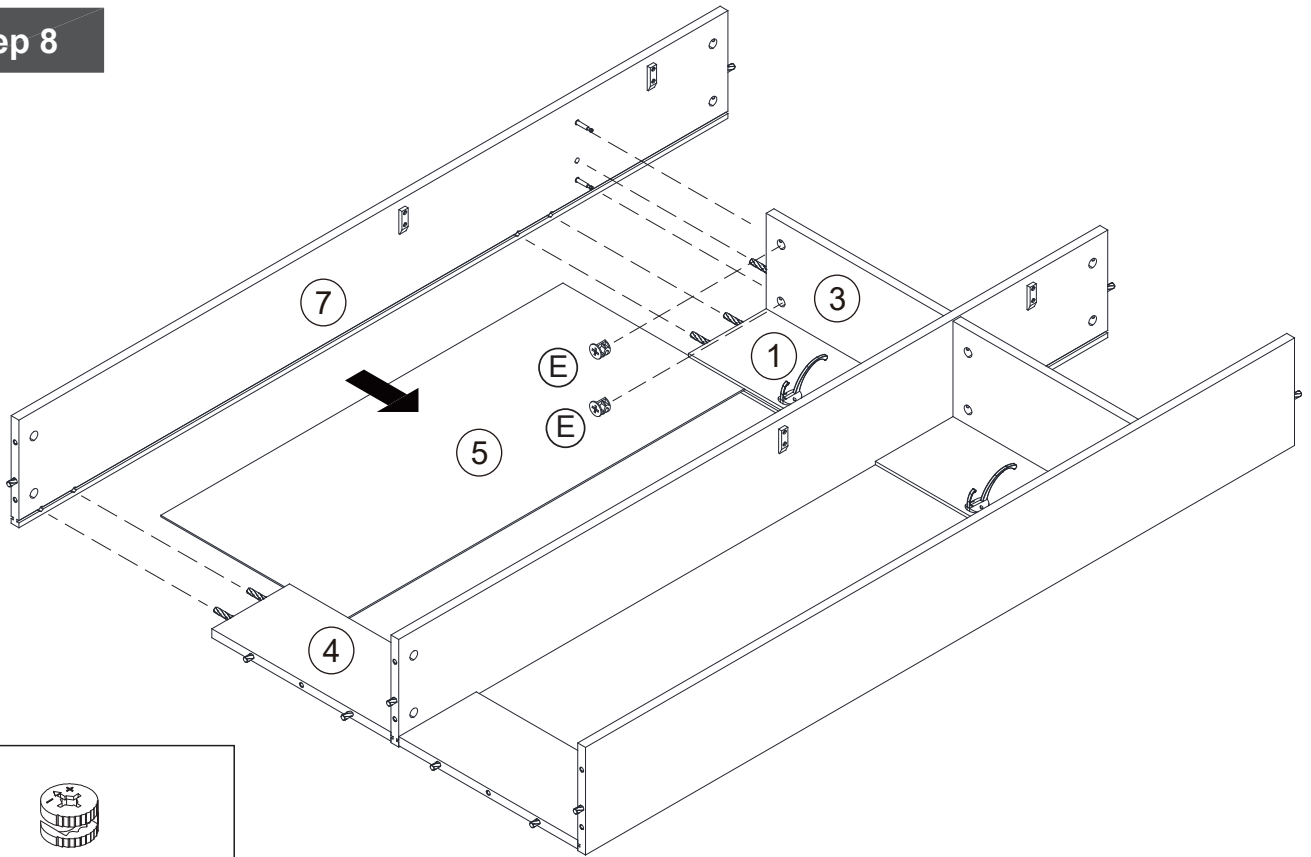
Step 7



<p>(A)</p>  <p>4*14mm Screw x 8</p>	<p>(C)</p>  <p>Cam Bolt x 4</p>
<p>(D)</p>  <p>6*30mm Dowel x 2</p>	<p>(G)</p>  <p>x 4</p>

Assembly Instructions

Step 8

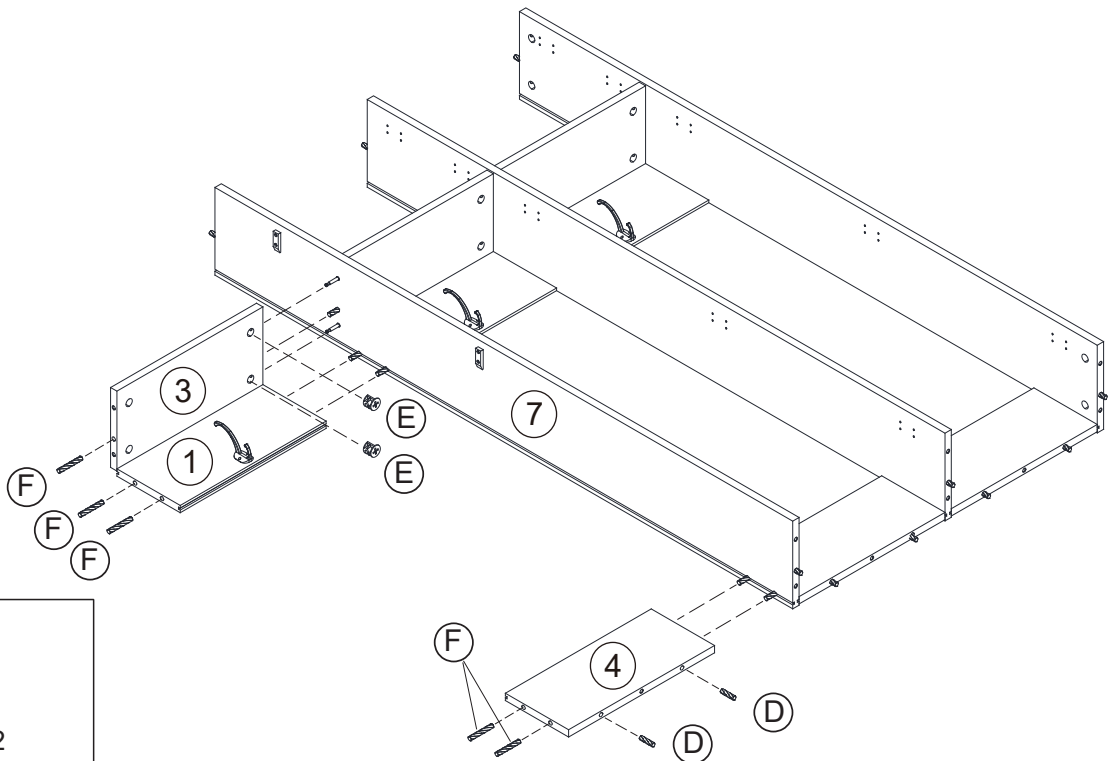


E



Cam lock x 2

Step 9



D



6*30mm Dowel x 2

E



Cam lock x 2

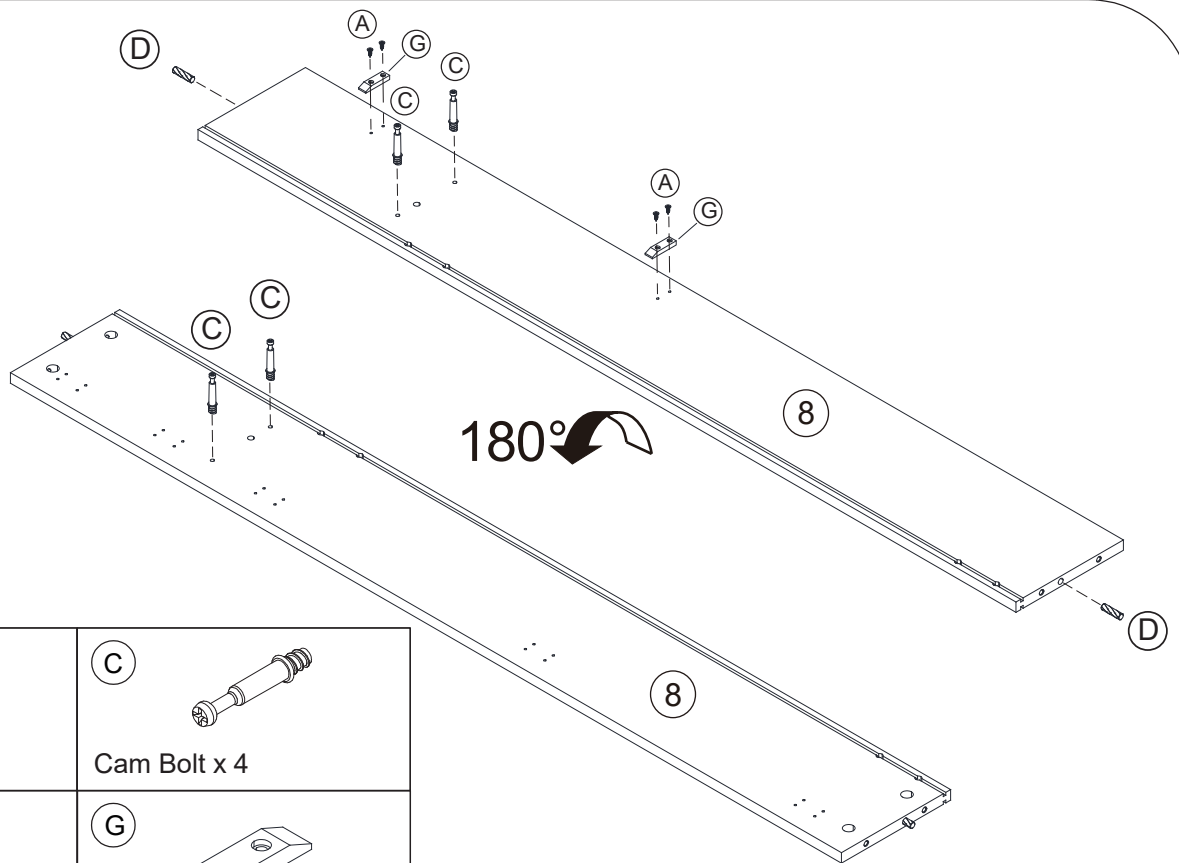
F



6*50mm Dowel x 5

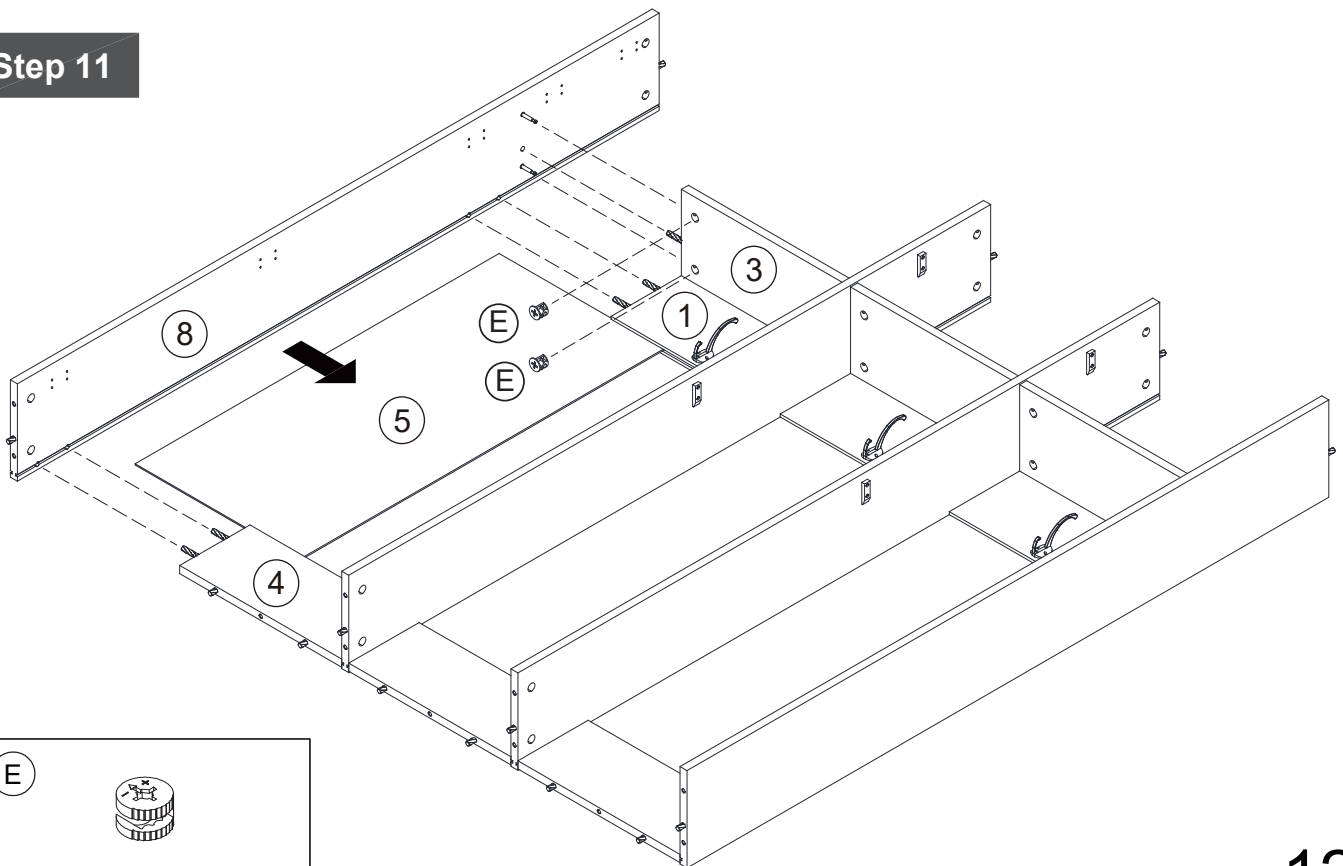
Assembly Instructions

Step 10



 4*14mm Screw x 4	 Cam Bolt x 4
 6*30mm Dowel x 2	 x 2

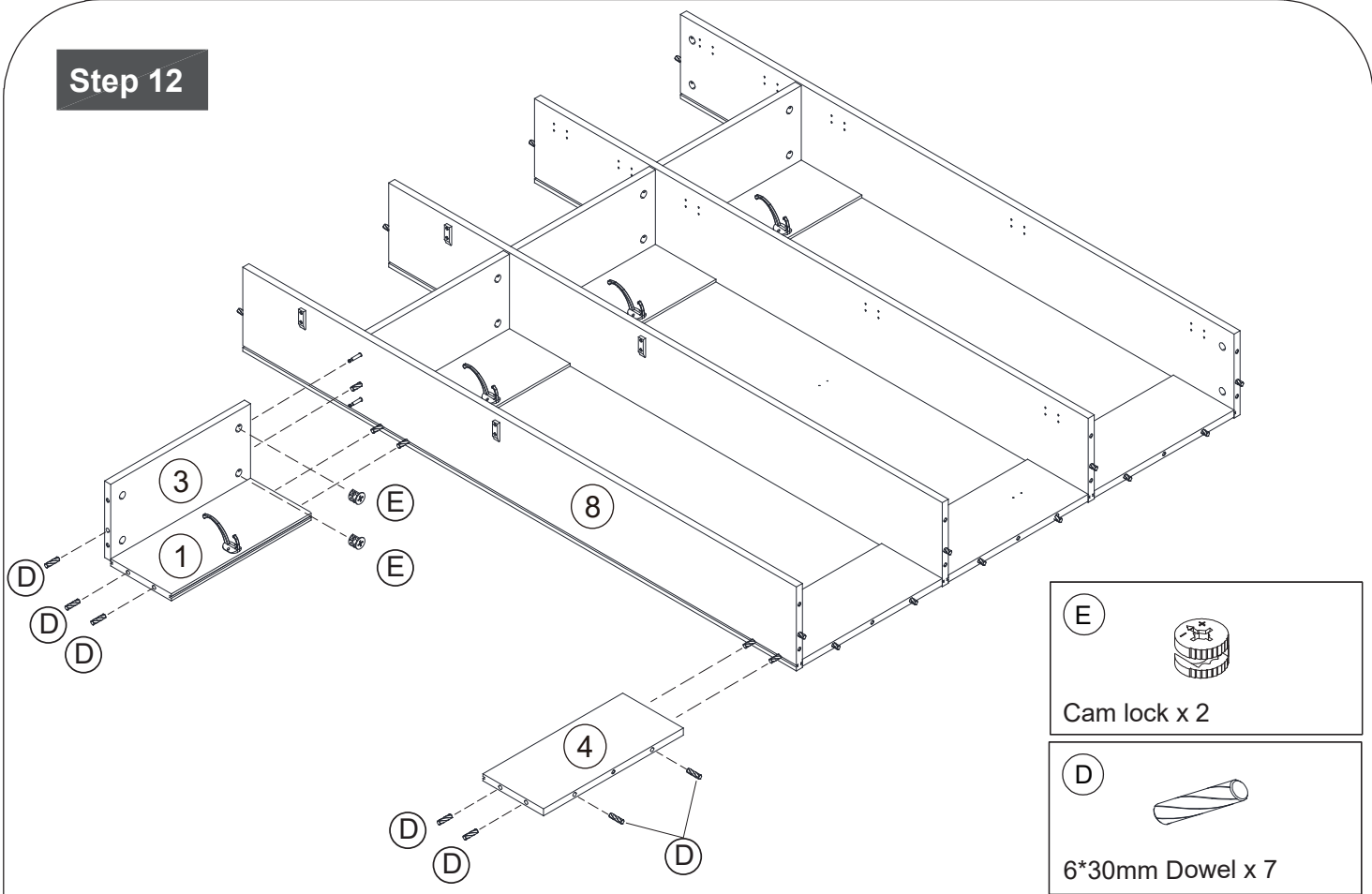
Step 11



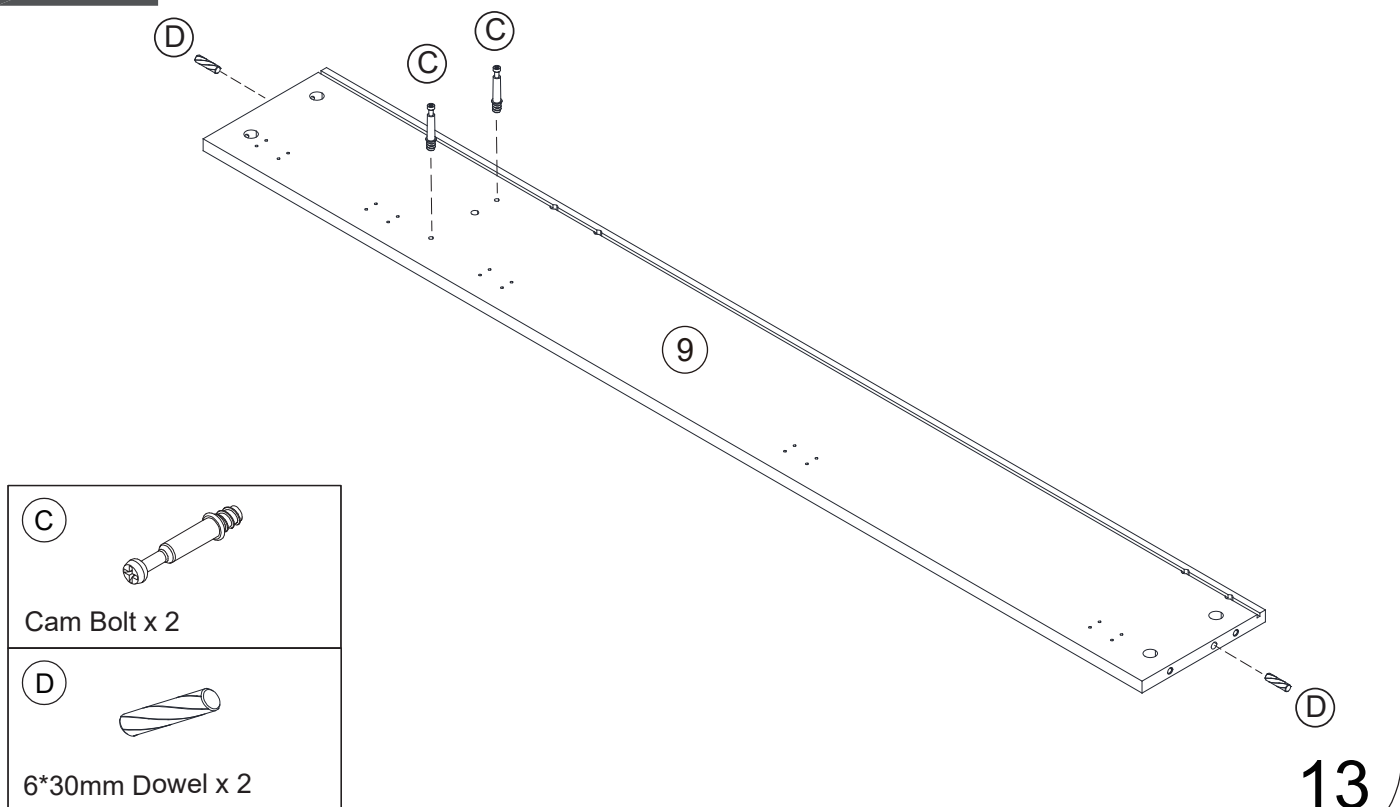
 Cam lock x 2

Assembly Instructions

Step 12

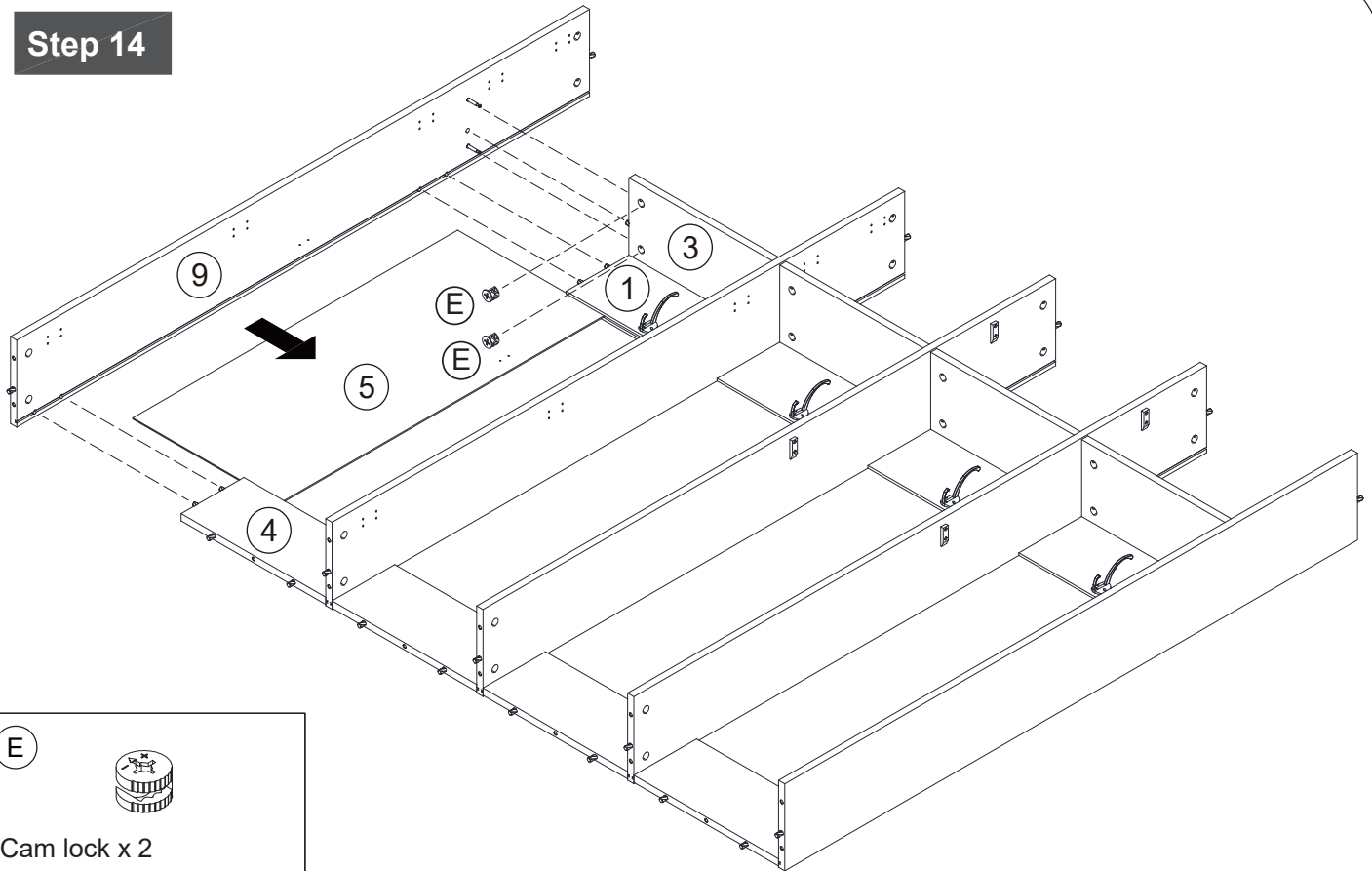


Step 13



Assembly Instructions

Step 14

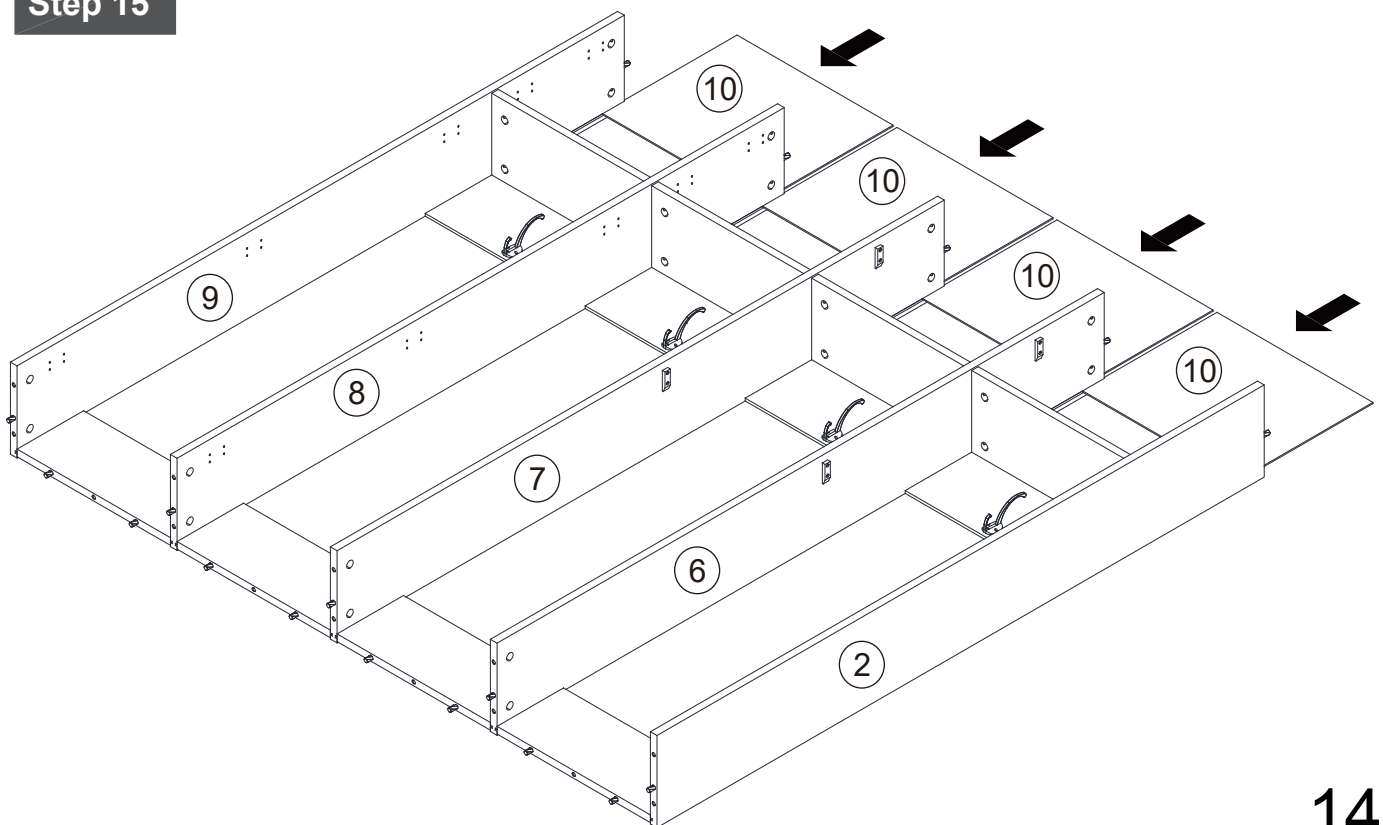


E



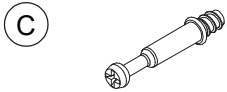
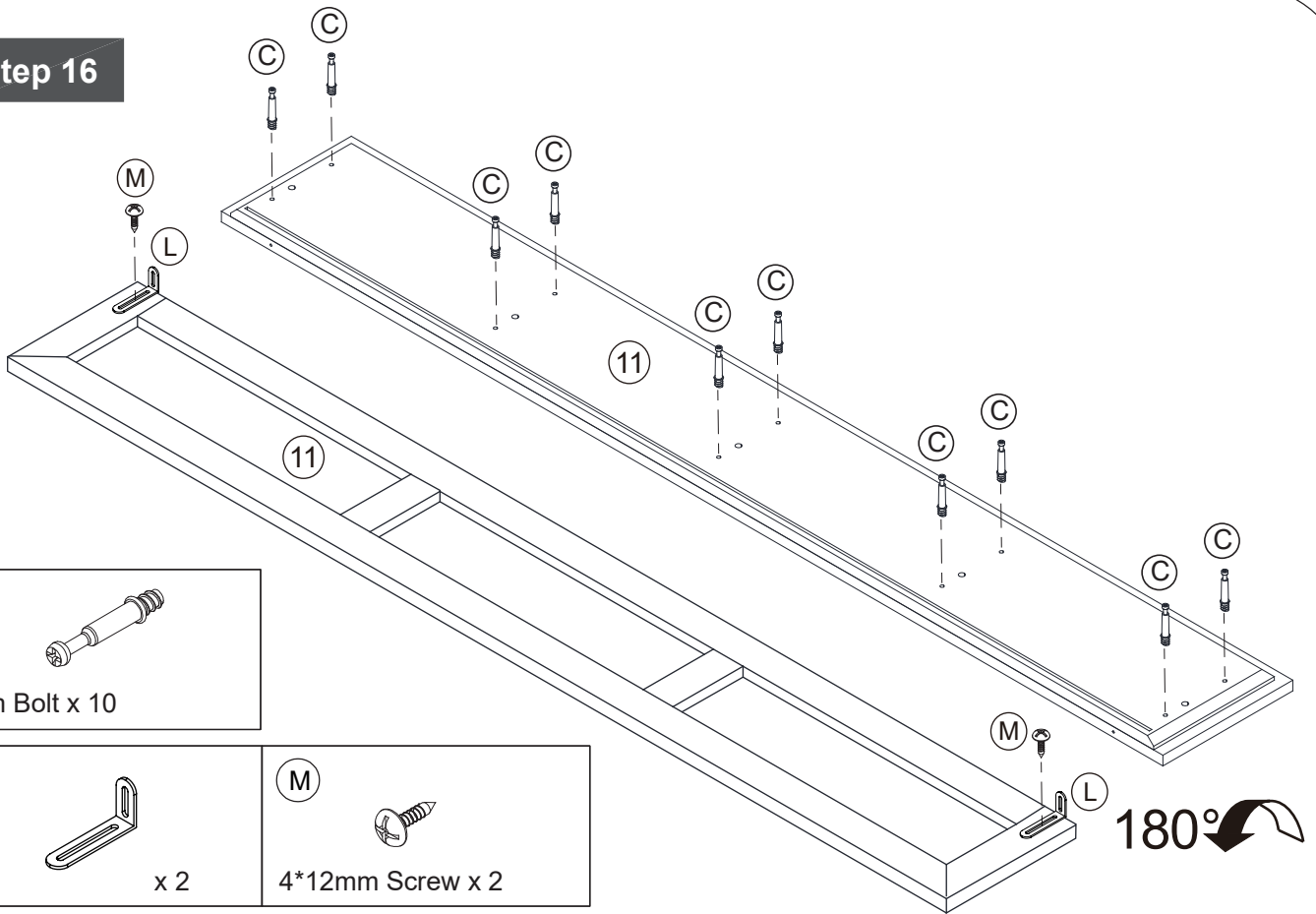
Cam lock x 2

Step 15

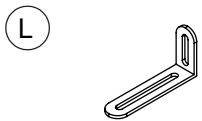


Assembly Instructions

Step 16



C Cam Bolt x 10

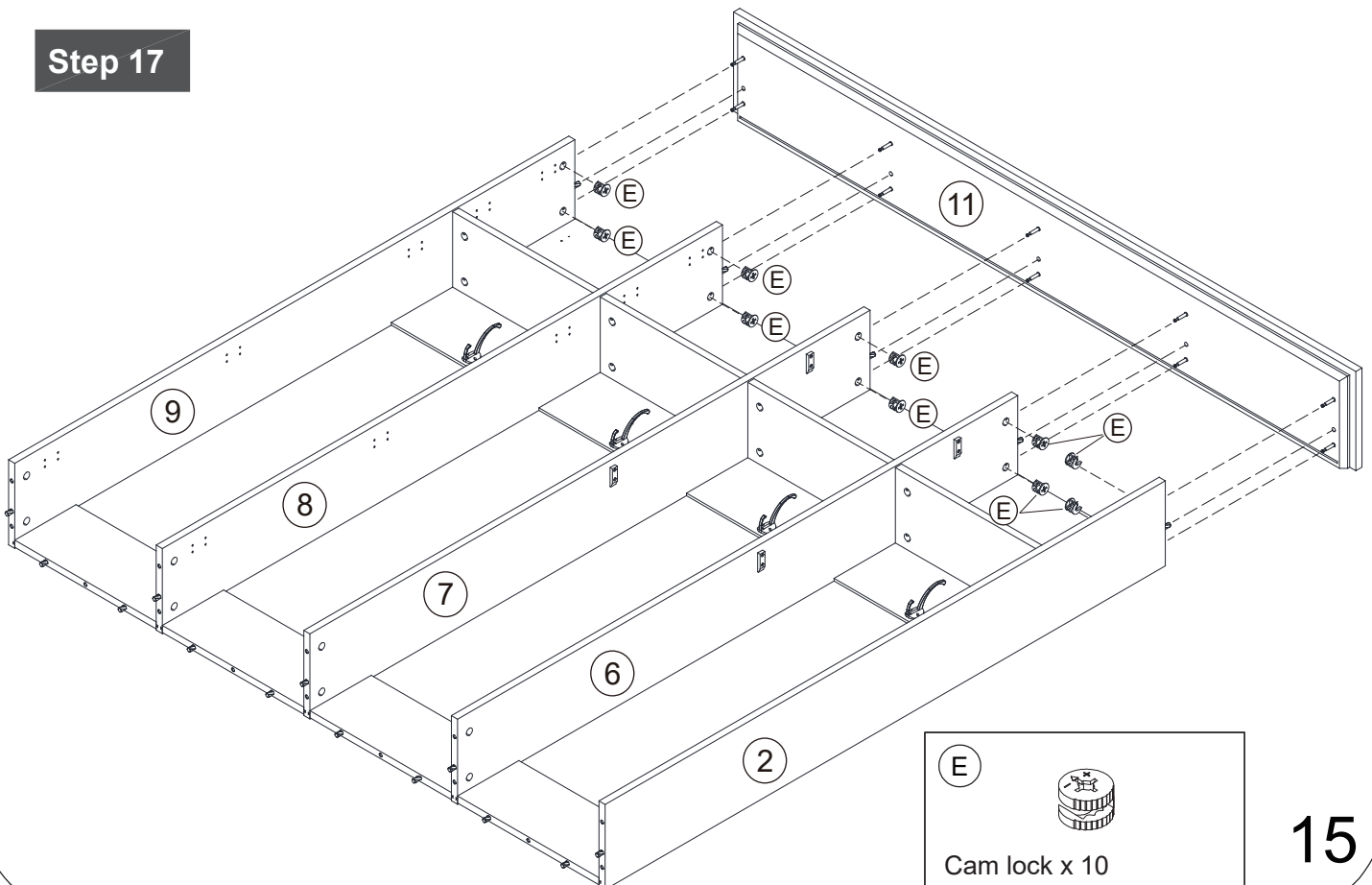


x 2



M 4*12mm Screw x 2

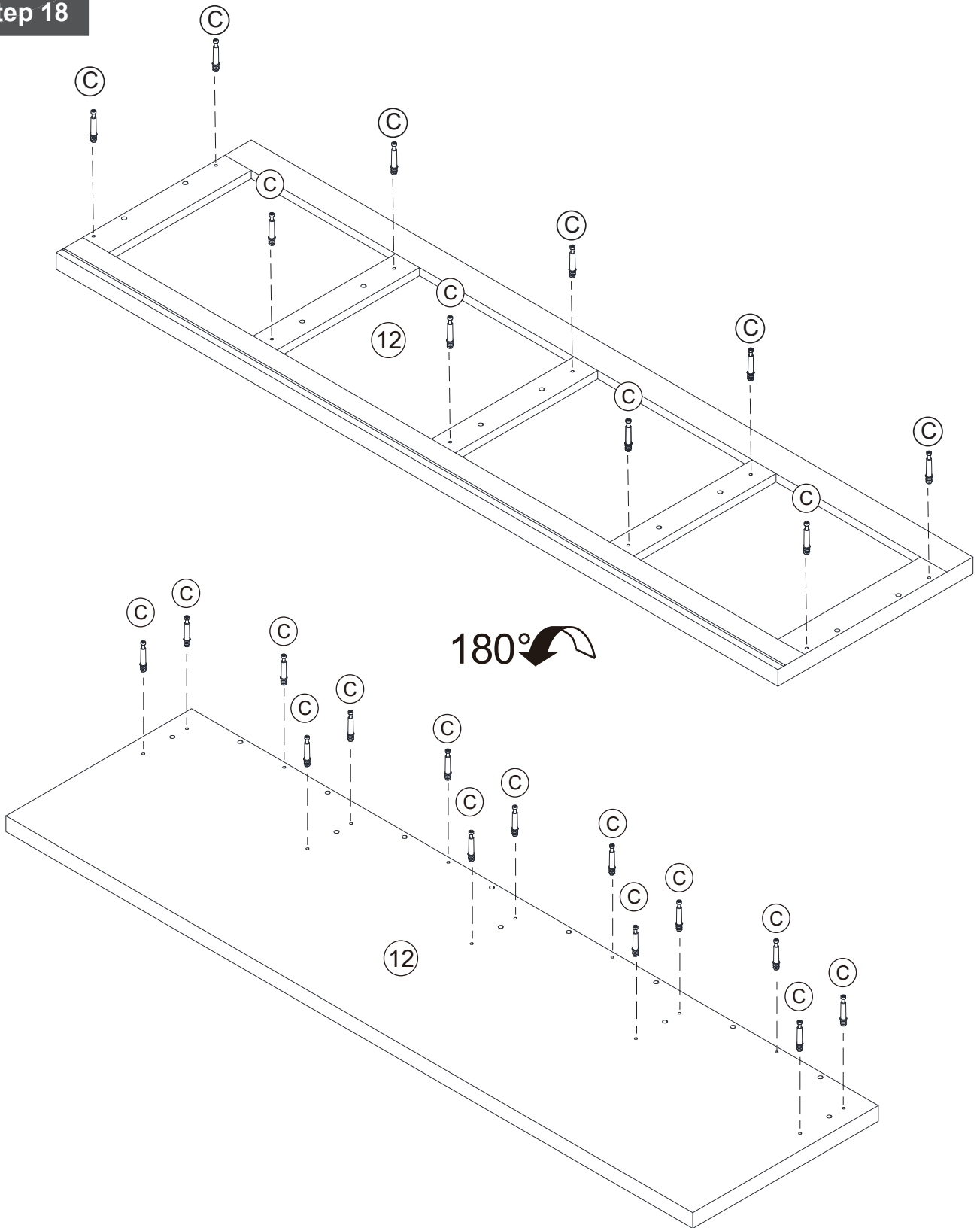
Step 17



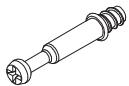
E Cam lock x 10

Assembly Instructions

Step 18



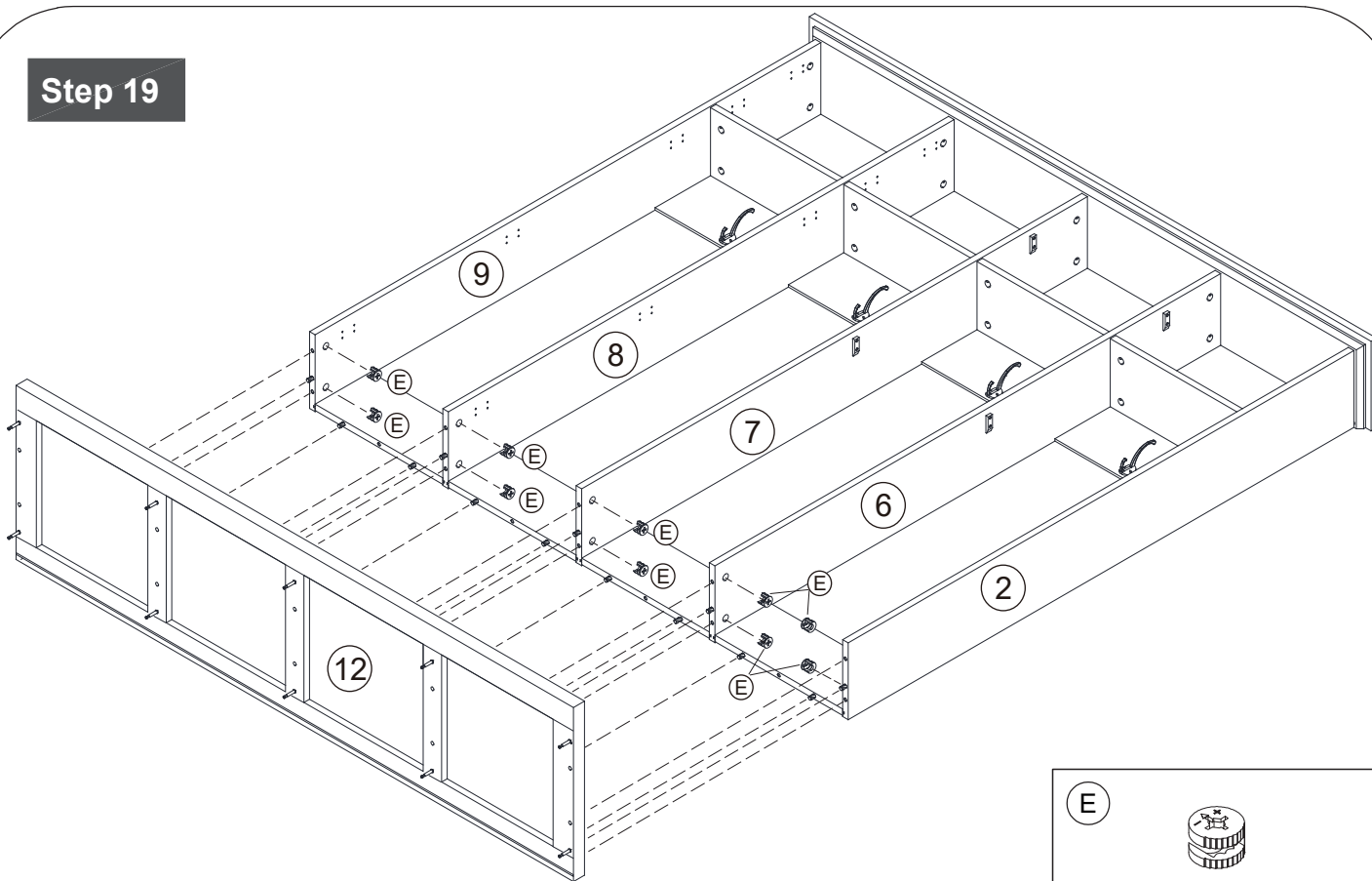
C




Cam Bolt x 24

Assembly Instructions

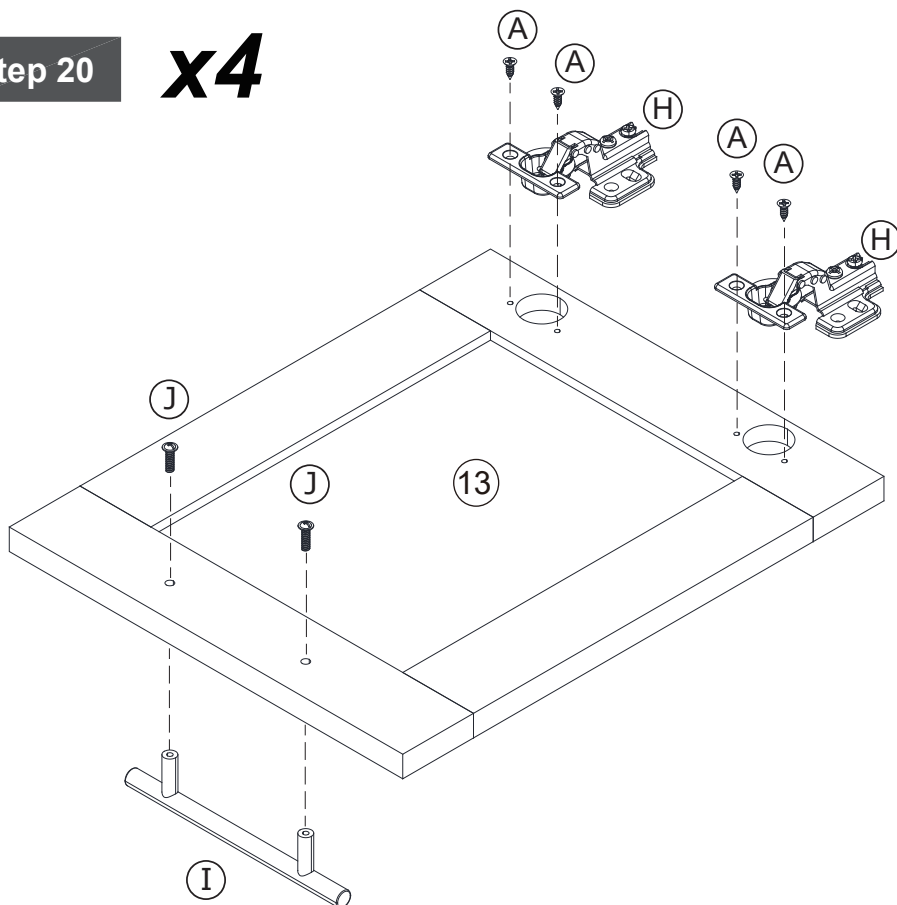
Step 19



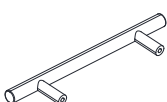



E	
Cam lock x 10	

Step 20

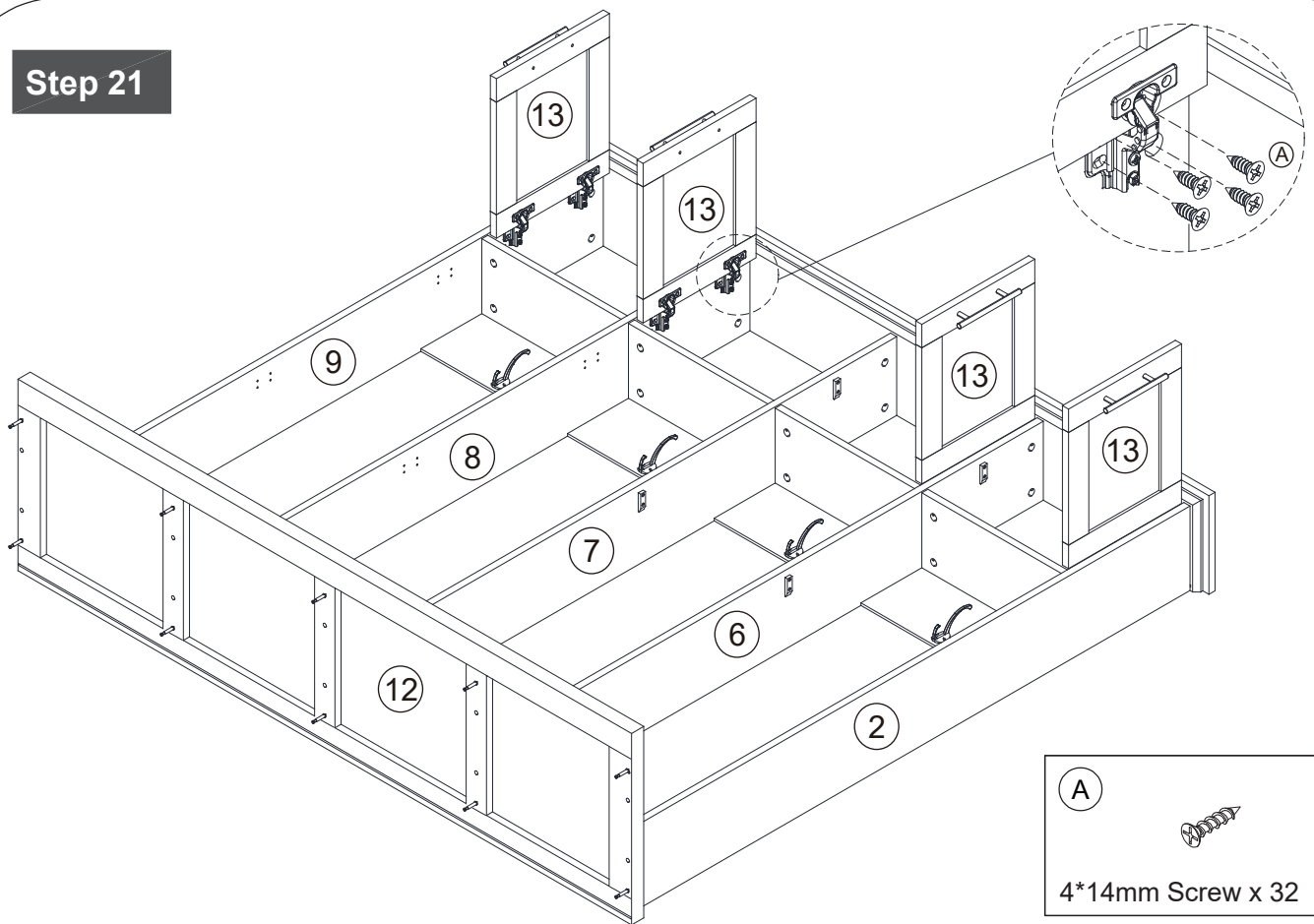
x4



A	
4*14mm Screw x 16	
H	
Hinge x 8	
I	
Handle x 4	
J	
4*20mm Screw x 8	

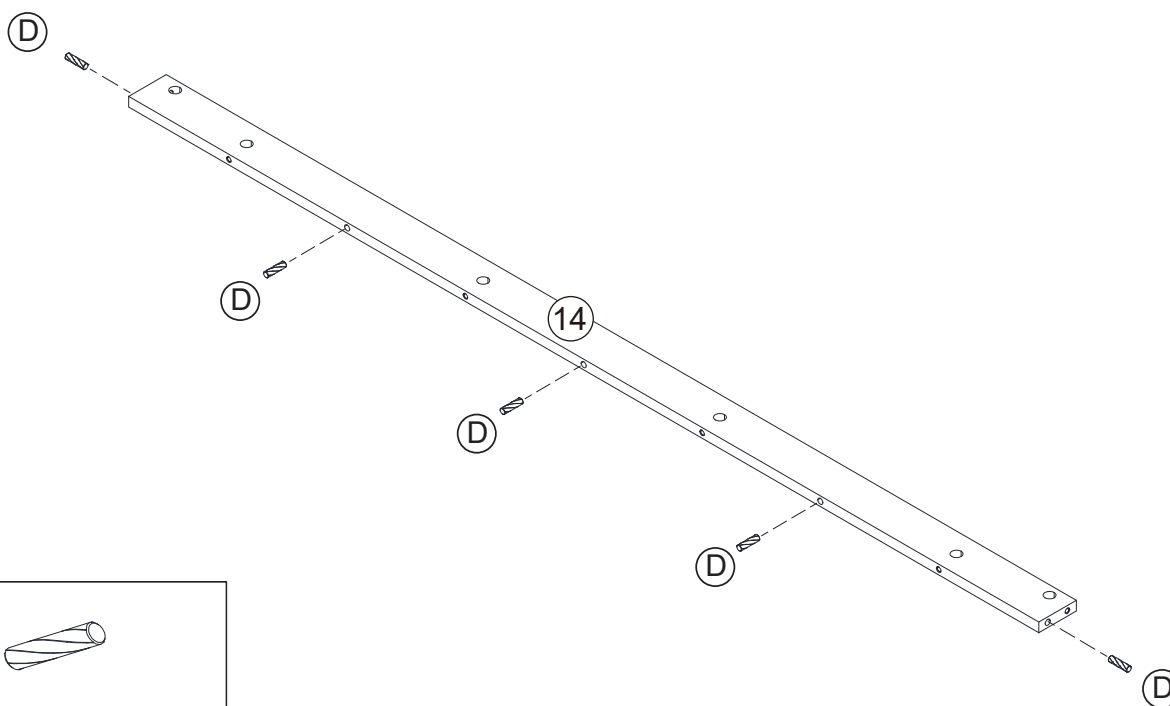
Assembly Instructions

Step 21



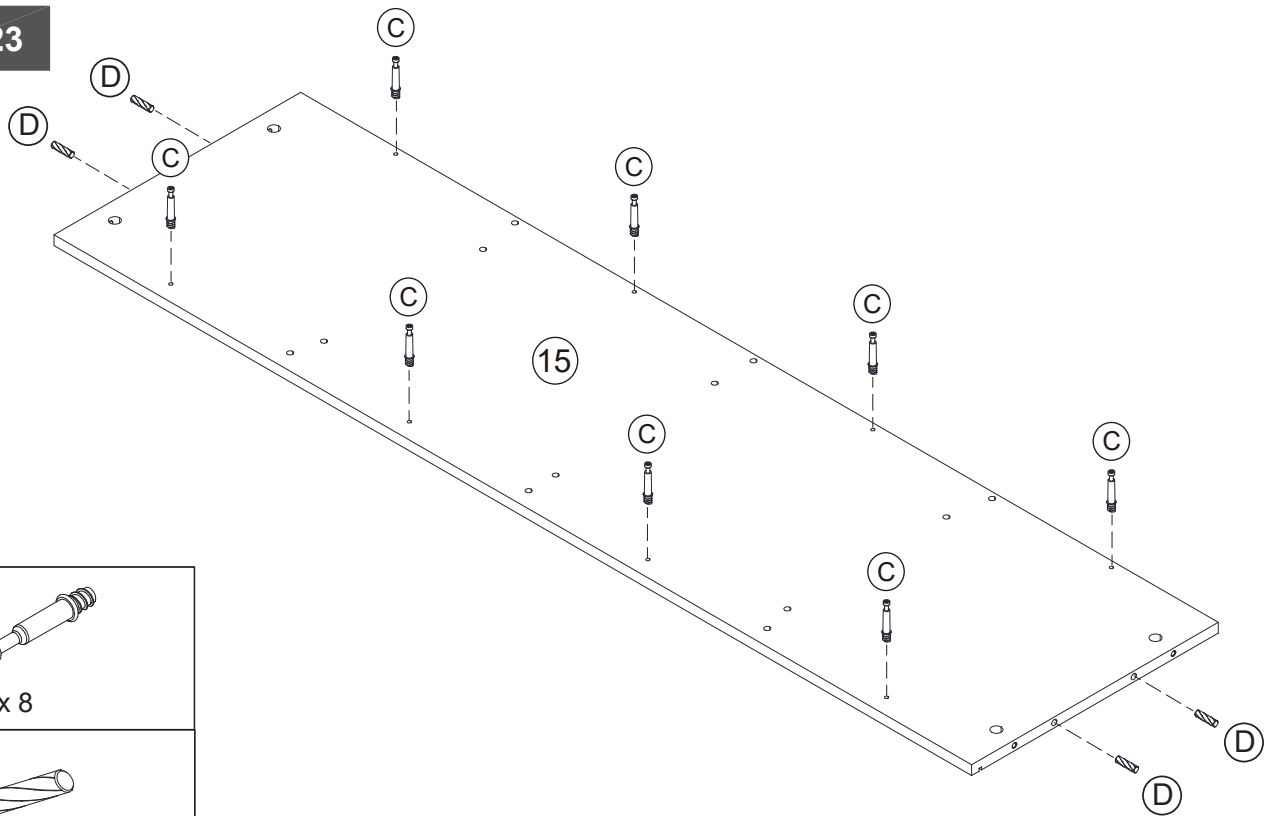
Step 22

x2

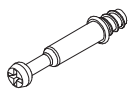


Assembly Instructions

Step 23



C



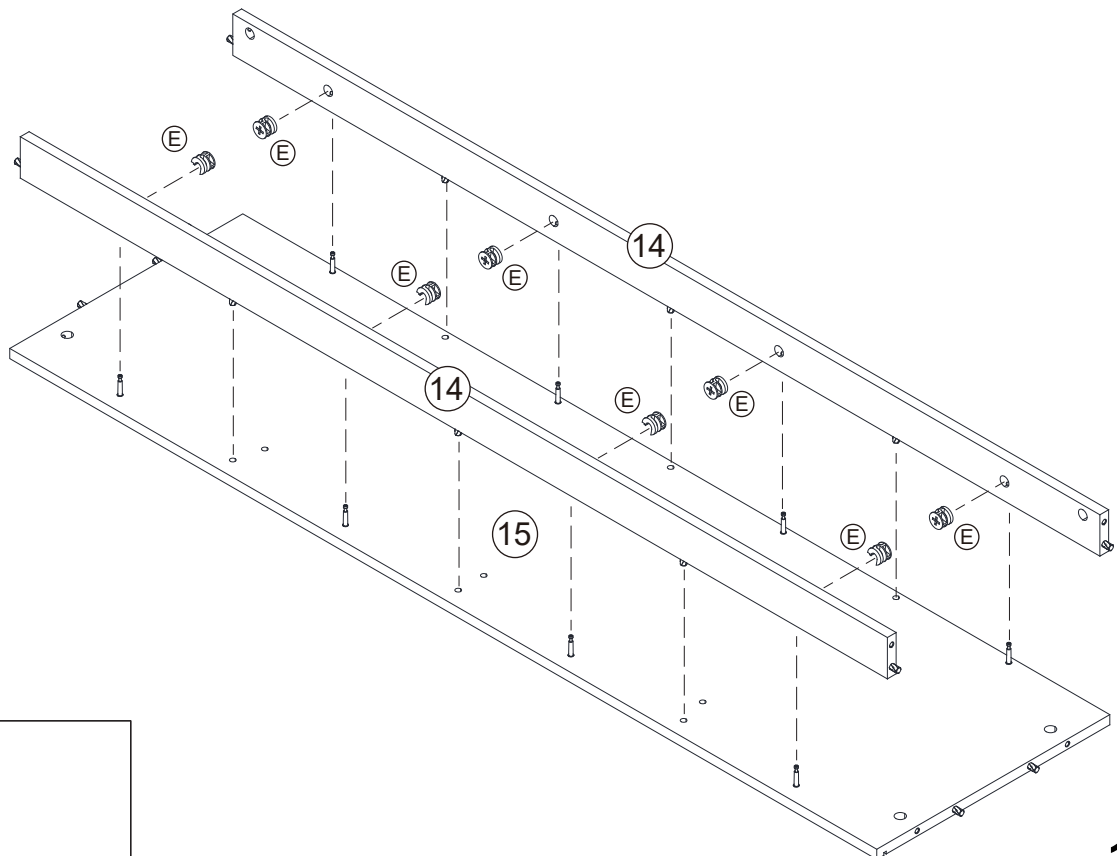
Cam Bolt x 8

D



6*30mm Dowel x 4

Step 24



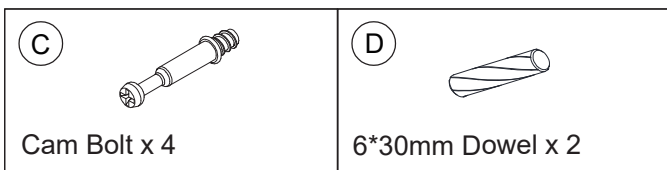
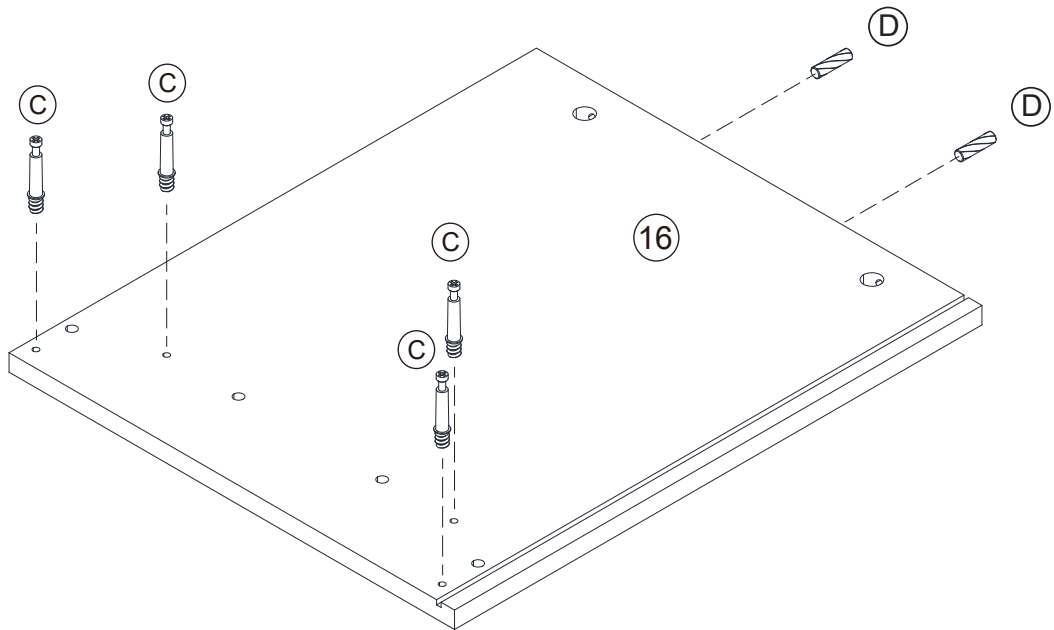
E



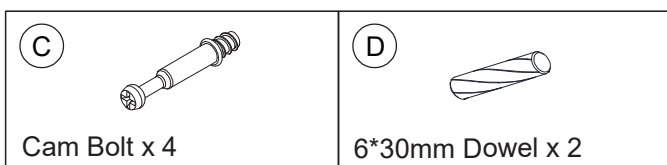
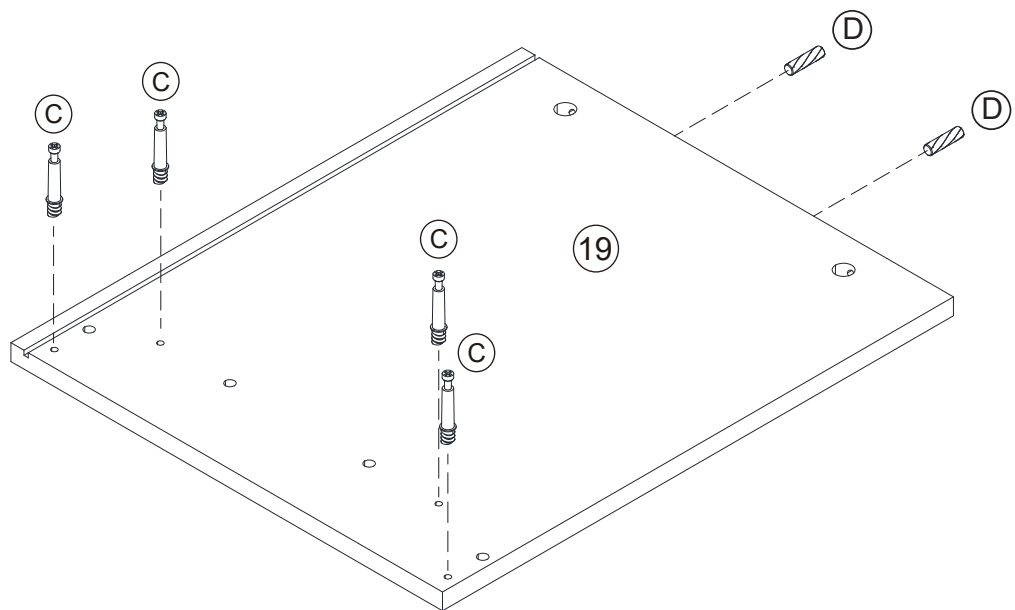
Cam lock x 8

Assembly Instructions

Step 25

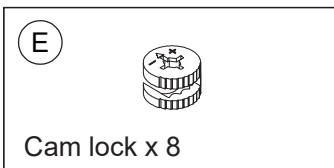
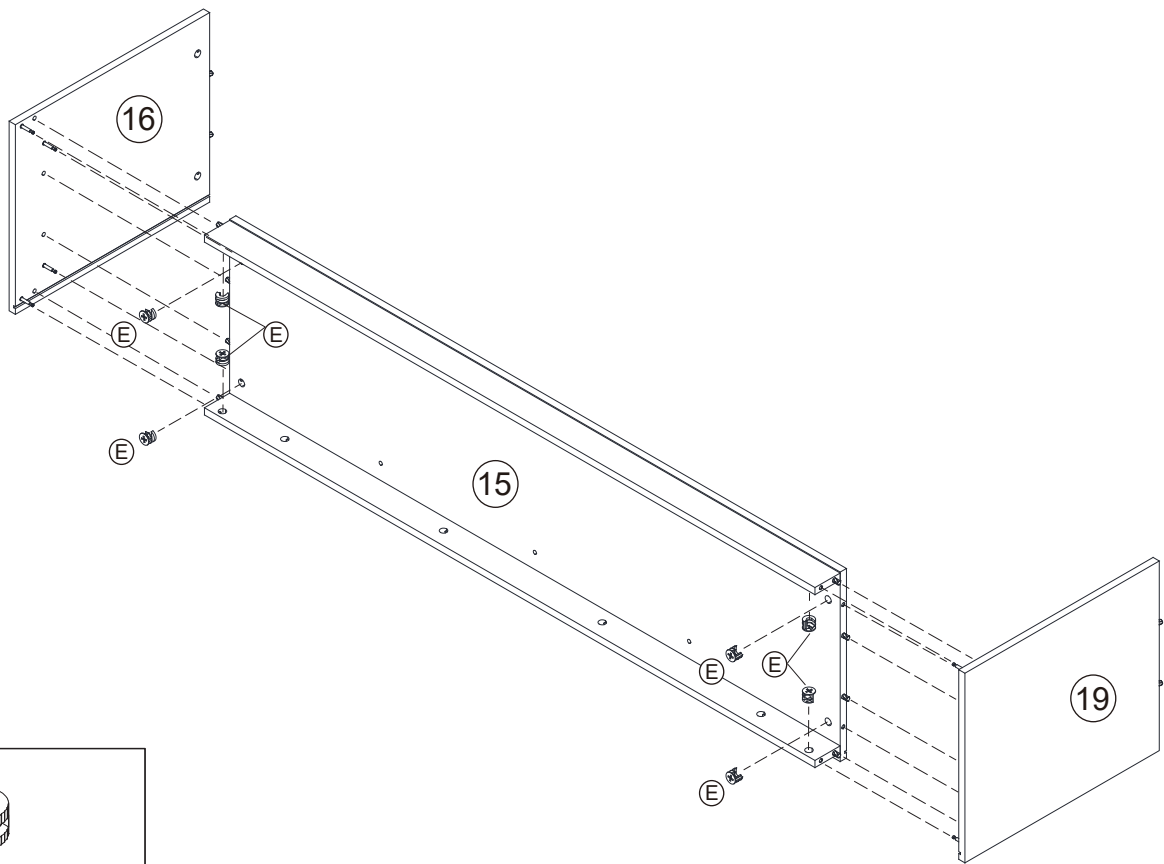


Step 26



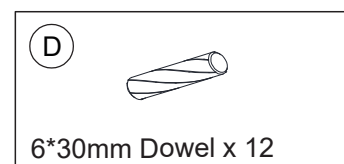
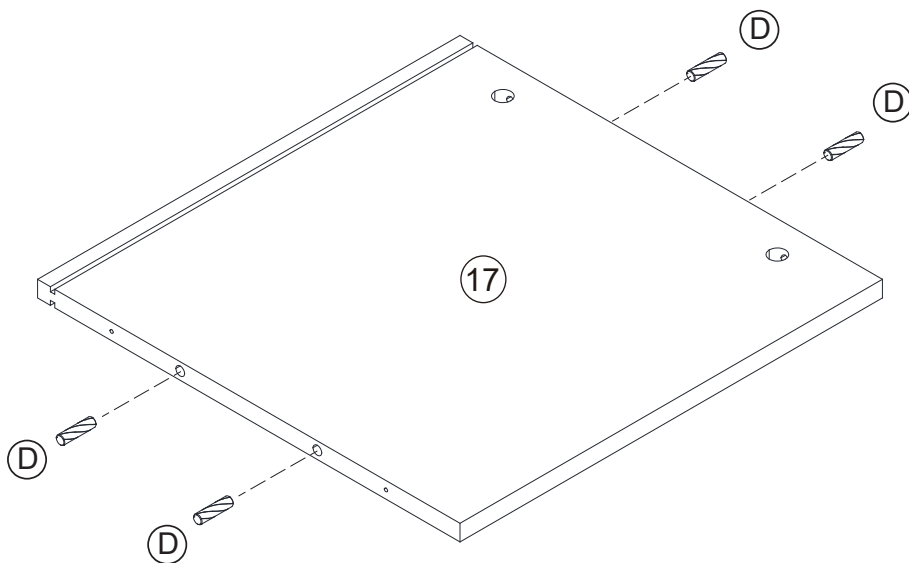
Assembly Instructions

Step 27



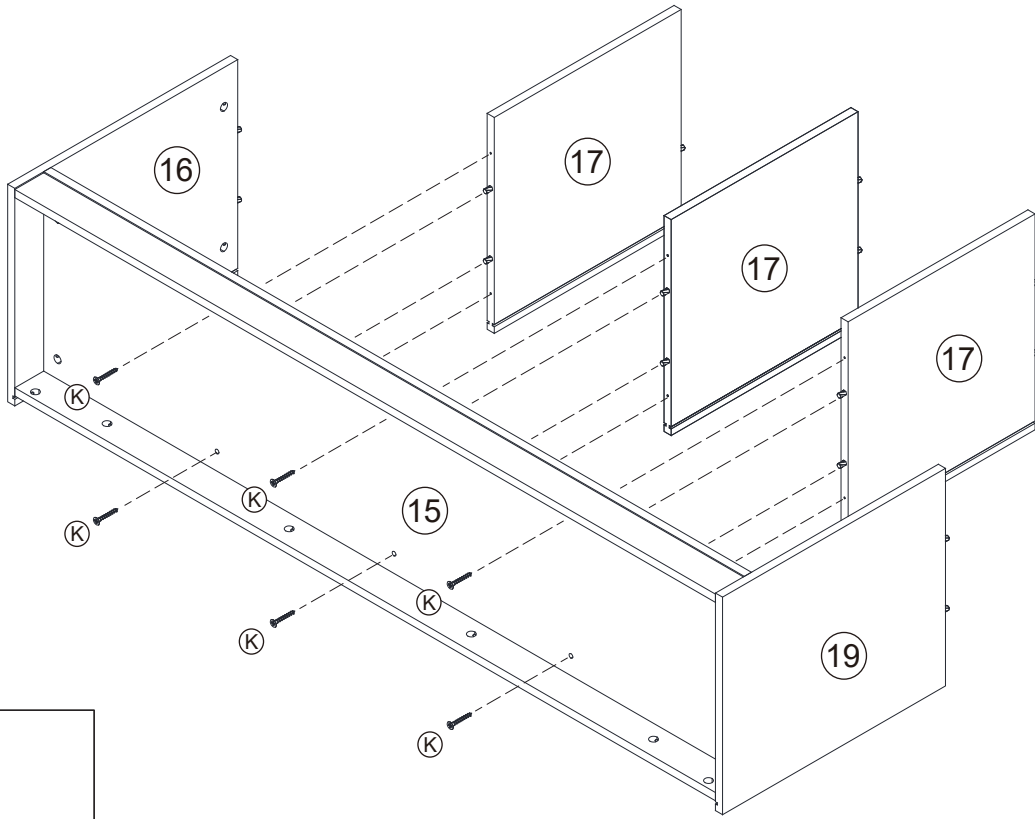
Step 28

x3



Assembly Instructions

Step 29

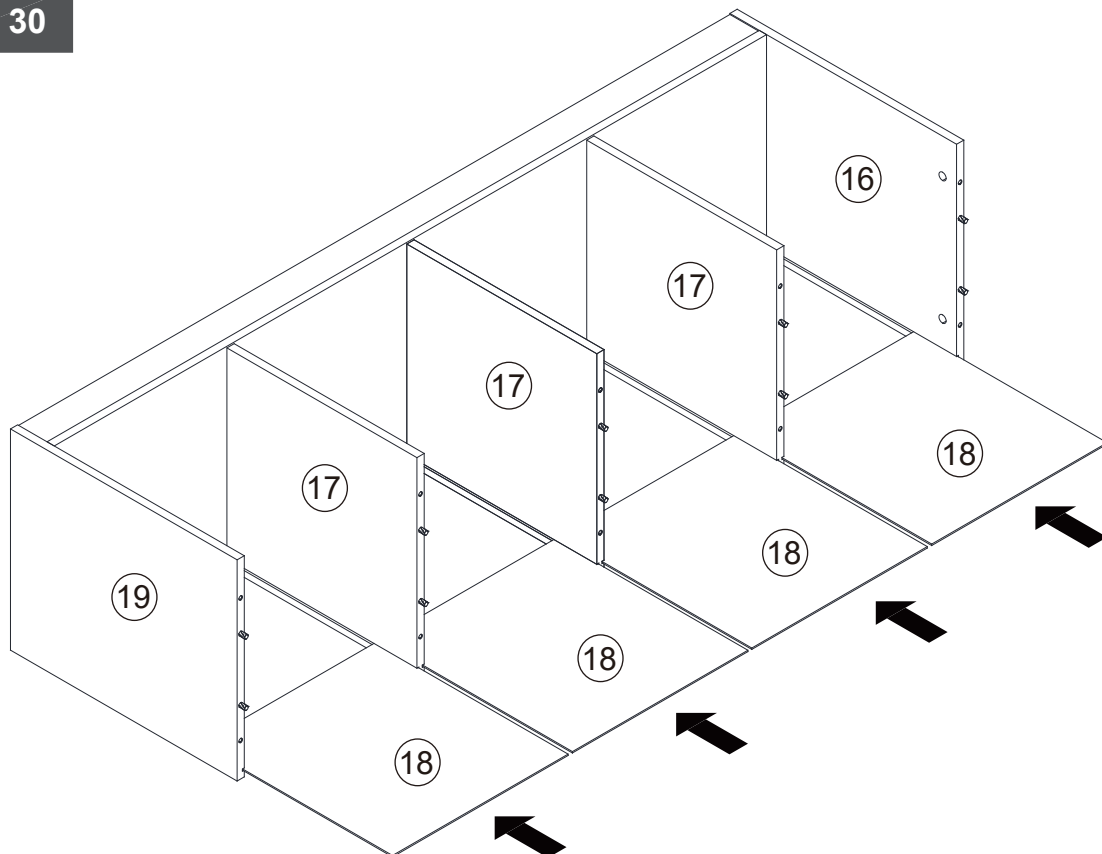


(K)



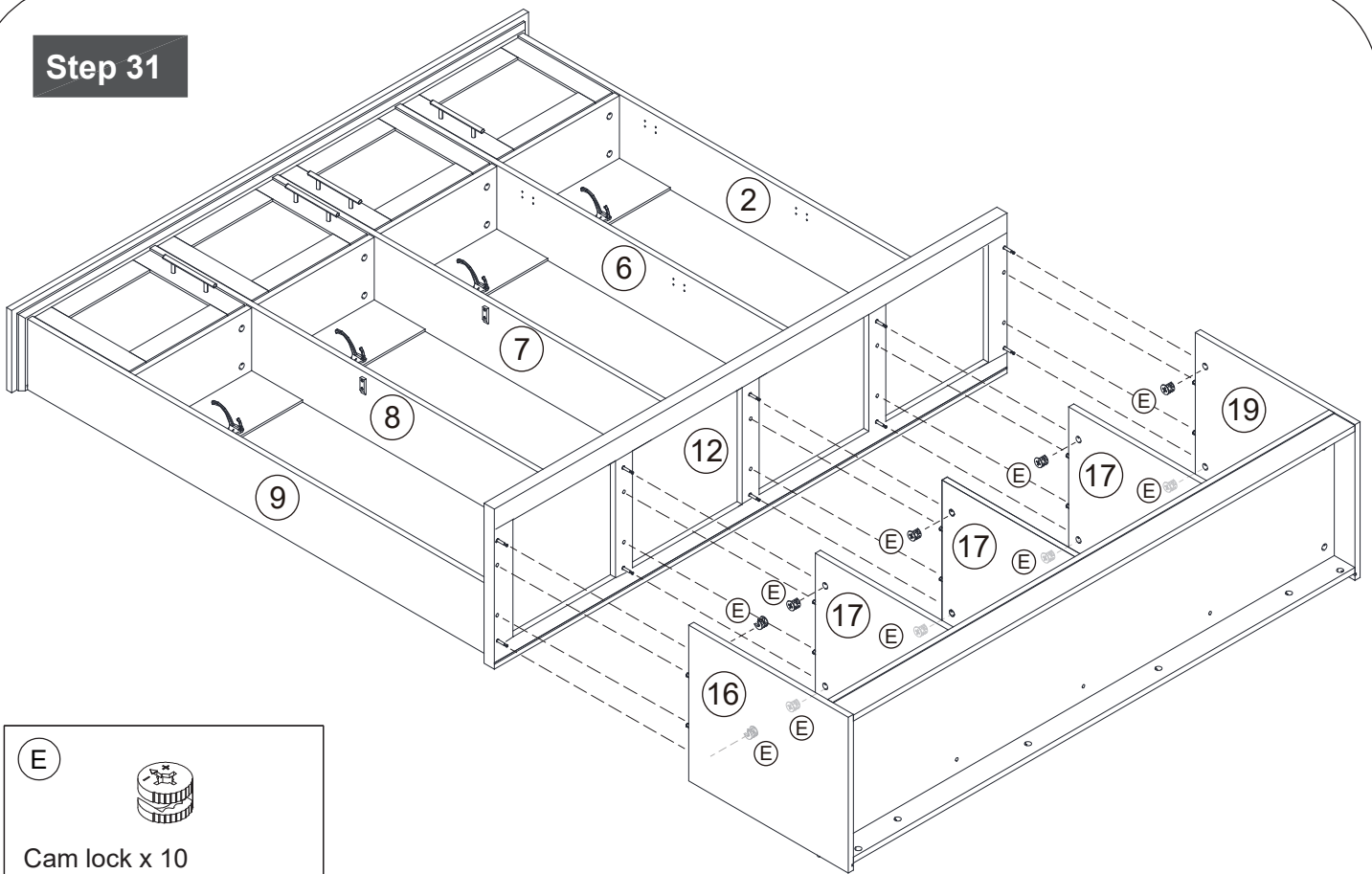
4*35mm Screw x 6

Step 30



Assembly Instructions

Step 31

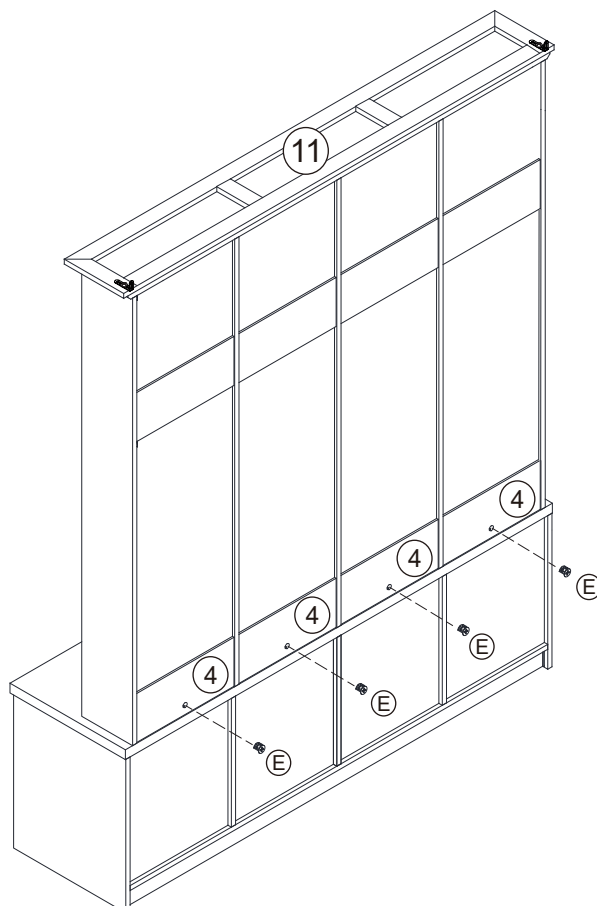


E



Cam lock x 10

Step 32



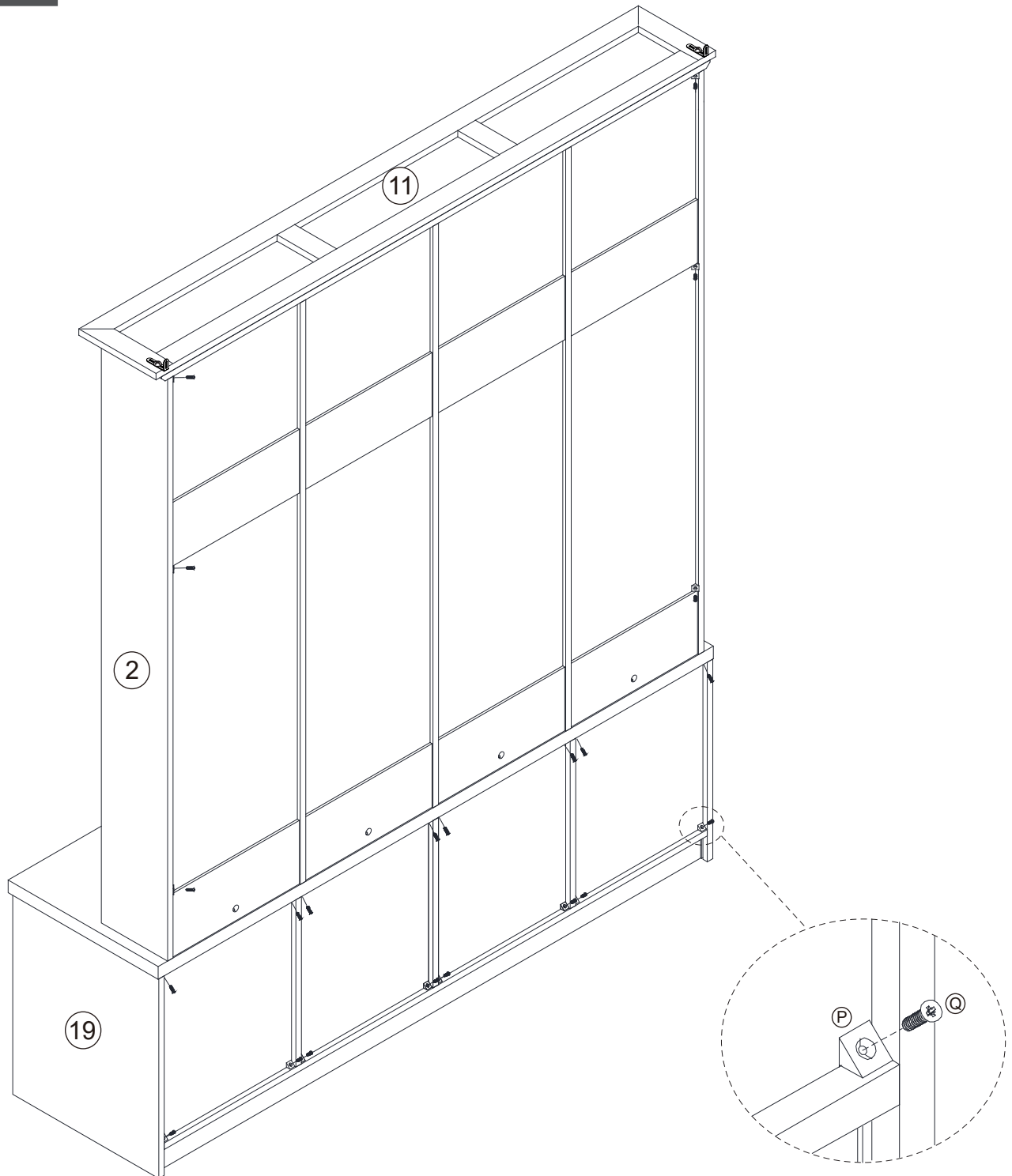
E





Cam lock x 4

Assembly Instructions

Step 33

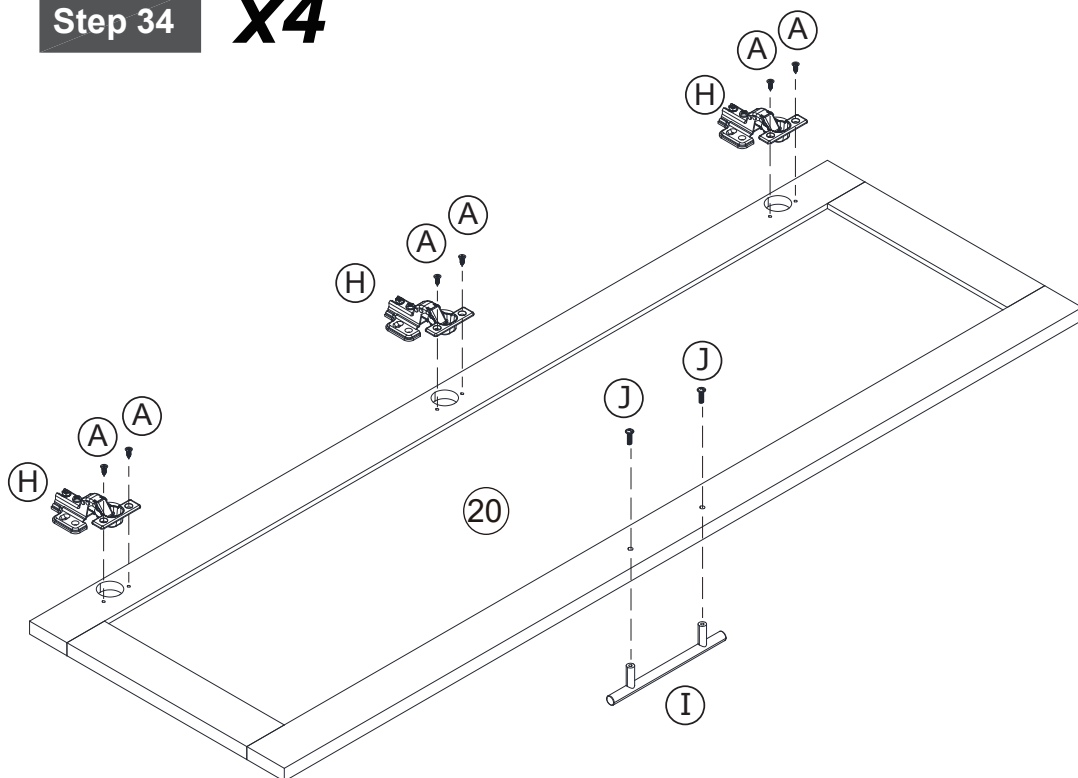


<p>(P)</p>  <p>Back Panel Buckle x 22</p>	<p>(Q)</p>  <p>3*16mm Screw x 22</p>
--	---

Assembly Instructions

Step 34

x4

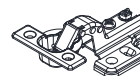


(A)



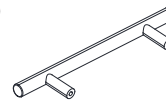
4*14mm Screw x 24

(H)



Hinge x 12

(I)



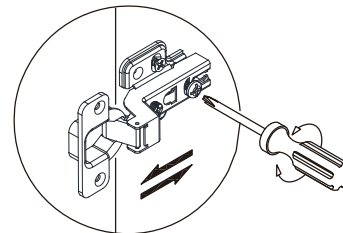
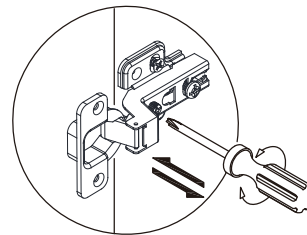
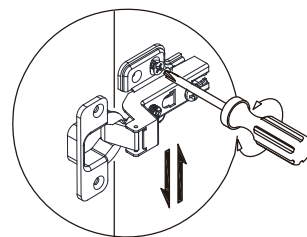
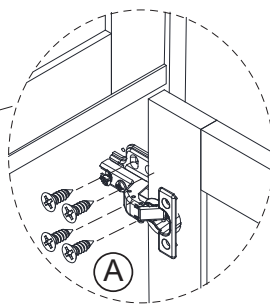
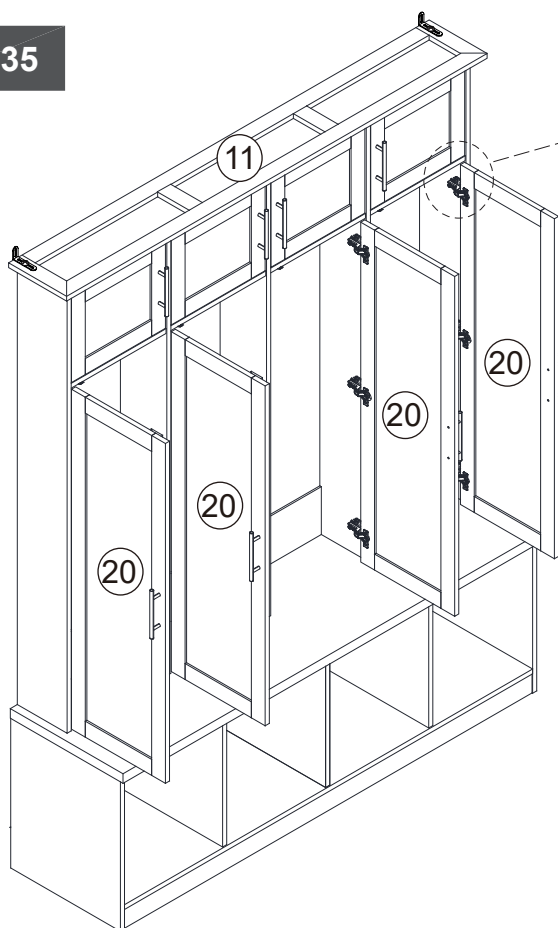
Handle x 4

(J)



4*20mm Screw x 8

Step 35



(A)



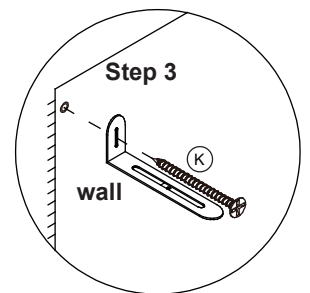
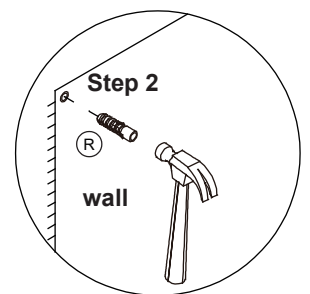
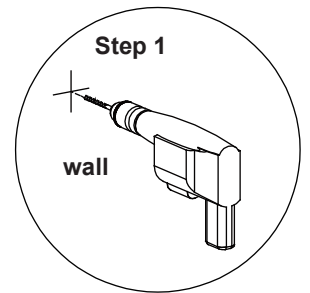
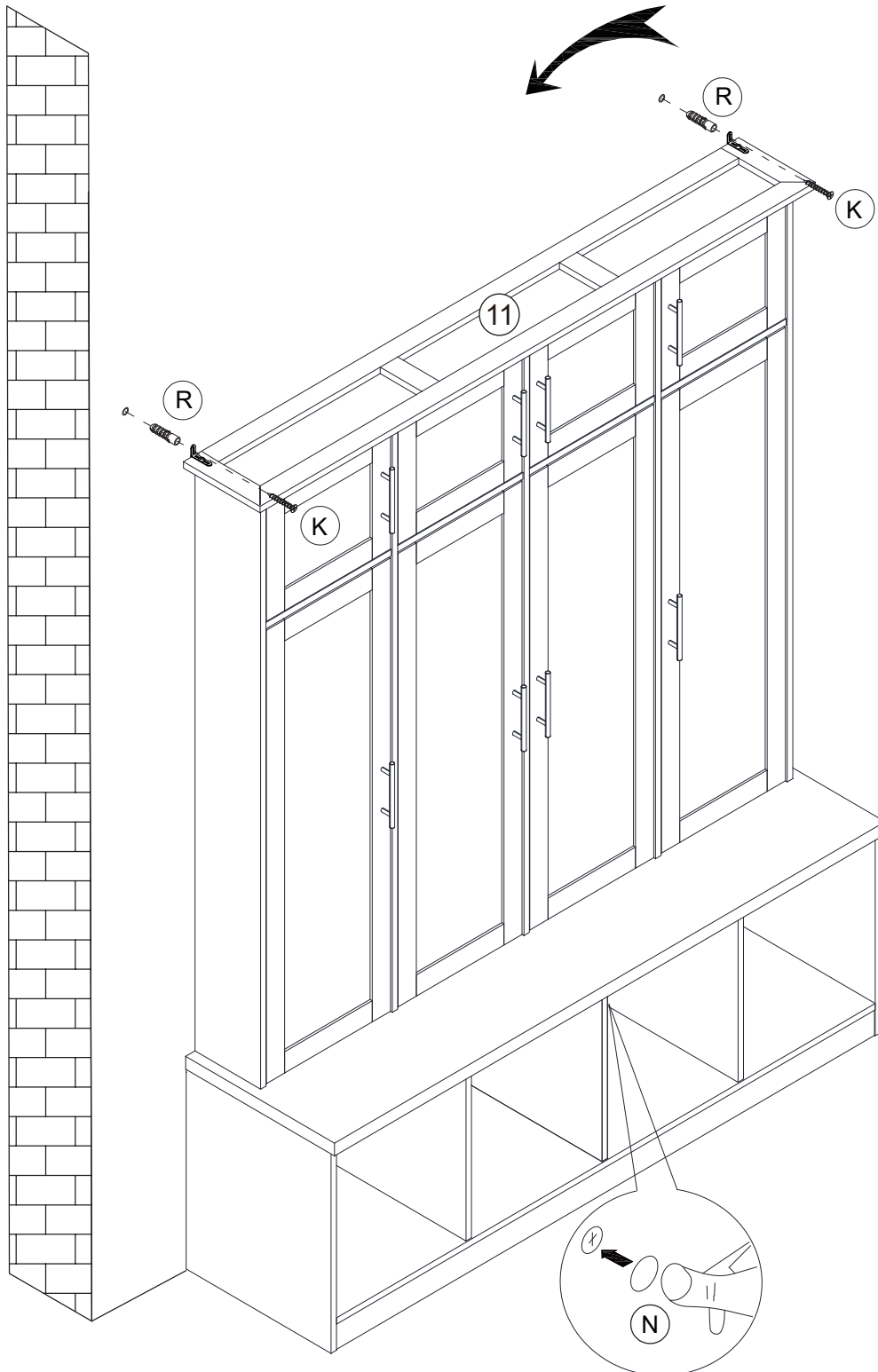
4*14mm Screw x 48



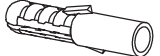
25

Assembly Instructions

Step 36

WALL



(N)	
	Perfect fit x 66
(K)	
	4*35mm Screw x 2
(R)	
	Plastic expansion x 2

Assembly Instructions

Finish

