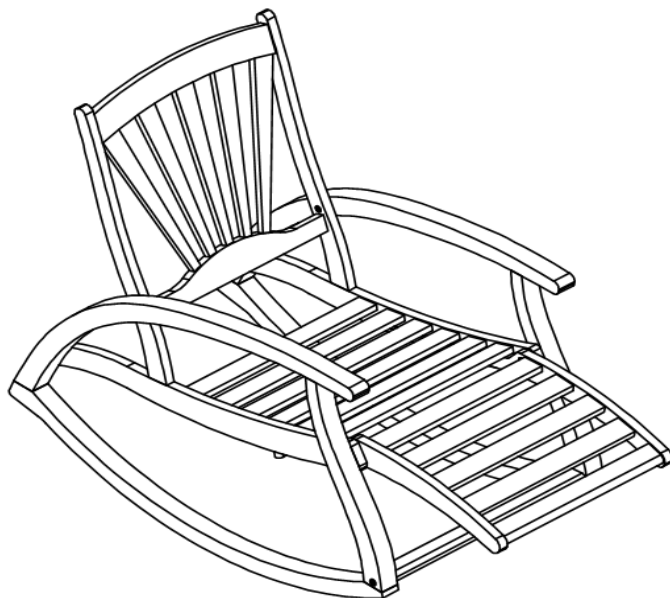
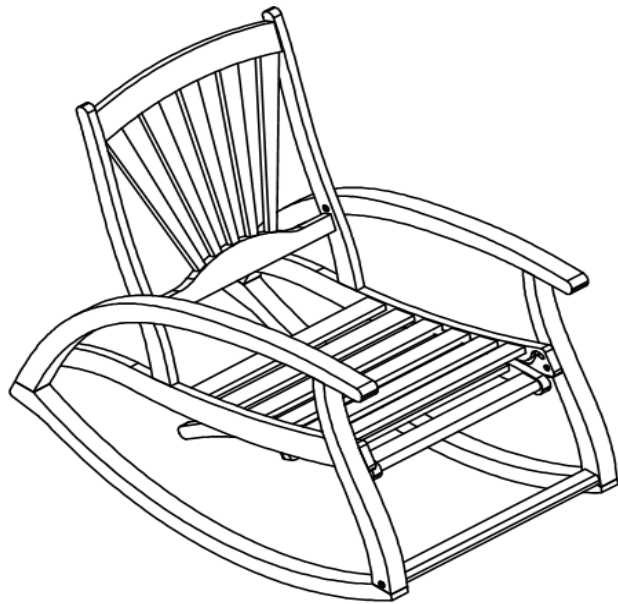



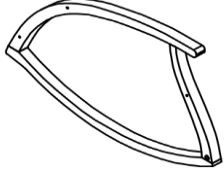
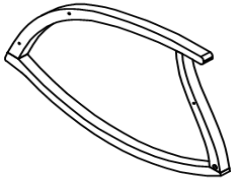



Assembly Instructions

Caution: You must read this before you proceed



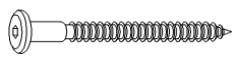
Rocking Chair



Parts List

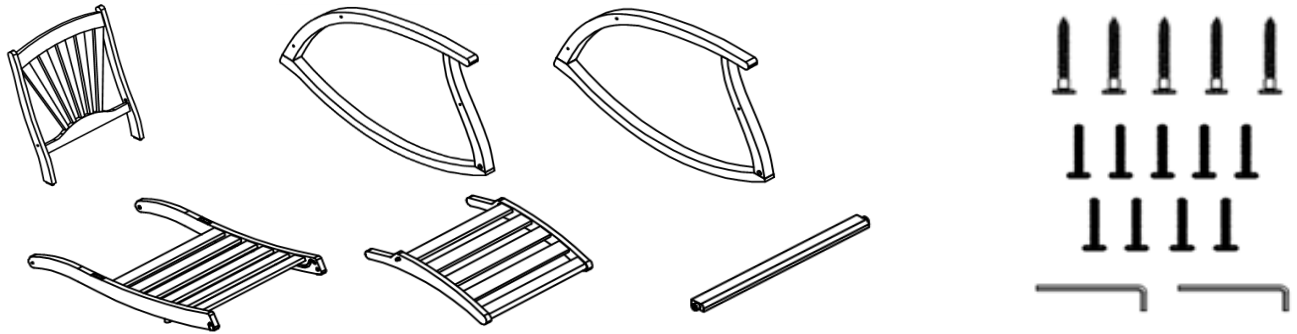
Label	Picture	Description	Qty
A		Backrest Panel	1
B		Right Leg Panel	1
C		Left Leg Panel	1
D		Seat Panel	1
E		Footrest Panel	1
F		Front Bar	1






Hardware

No.	Picture	Description	Qty
①		Allen Key	2
②		Bolt (M6*40mm)	9
③		Screw (M7*90mm)	5

Assembly Preparation

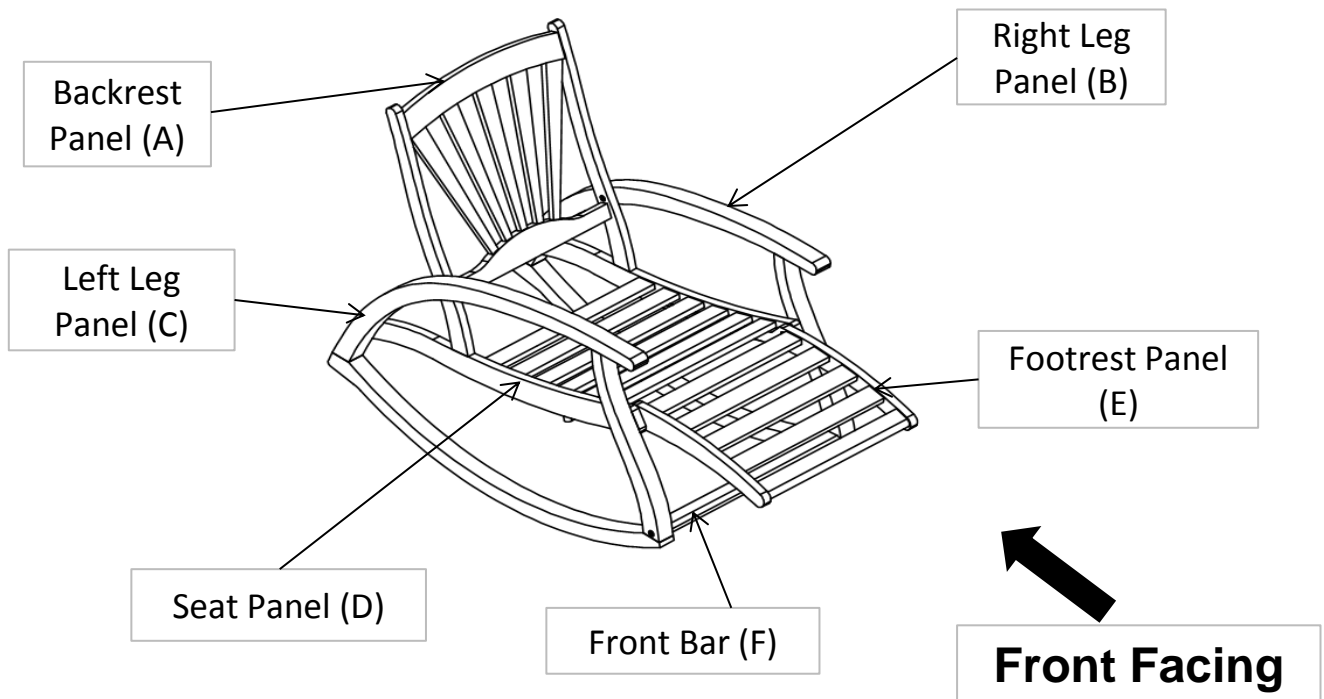
Before Beginning Assembly:



-  • Read instructions, cover to cover-
-  • Have 2 adults on hand for assembly-
-  • Do not assemble on flooring or carpet-
-  • Assemble on a clean non-marring surface (packing foam)-
-  • Save all packaging until finished-

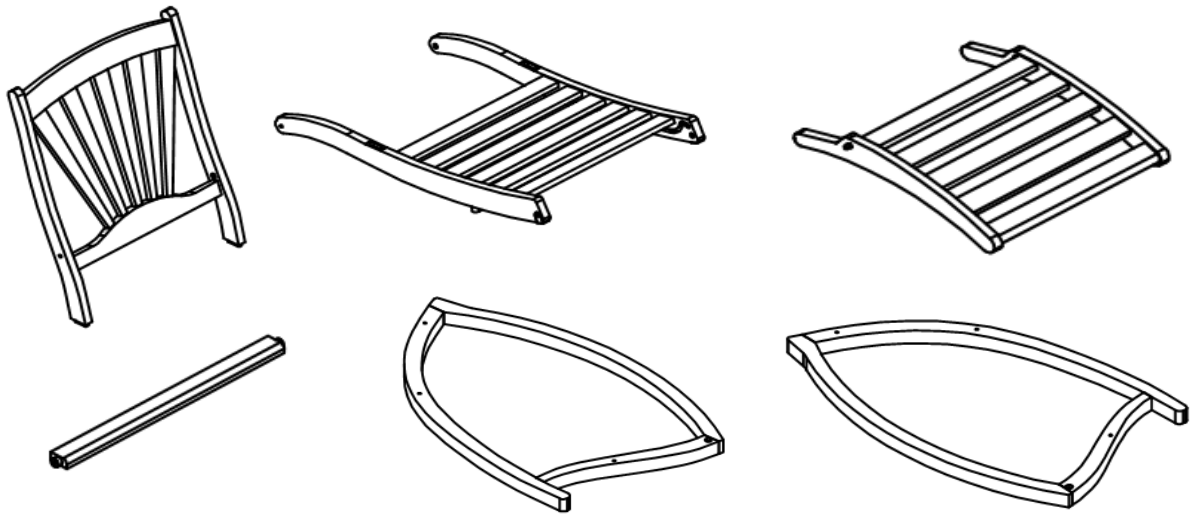
Assembly Steps

Overview



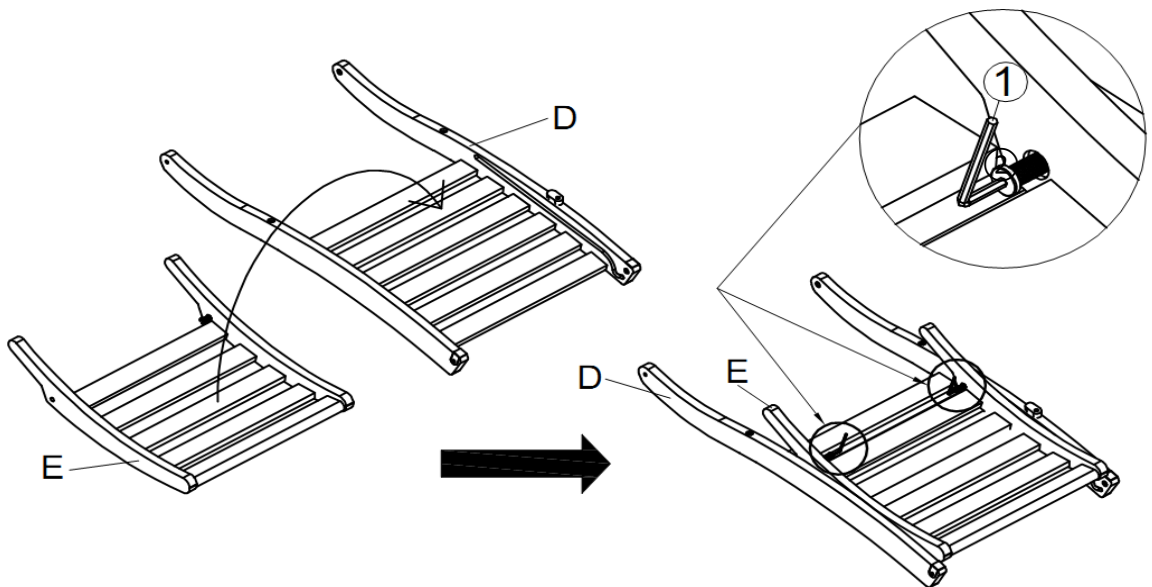
This Rocking Chair has multiple parts and may require up to some 30 minutes to assemble. To give you an overview of the Rocking Chair, the above picture is to help you put the various parts into perspective. Please read through the instructions below to familiarise yourself with the parts and steps before assembly.

Step 1



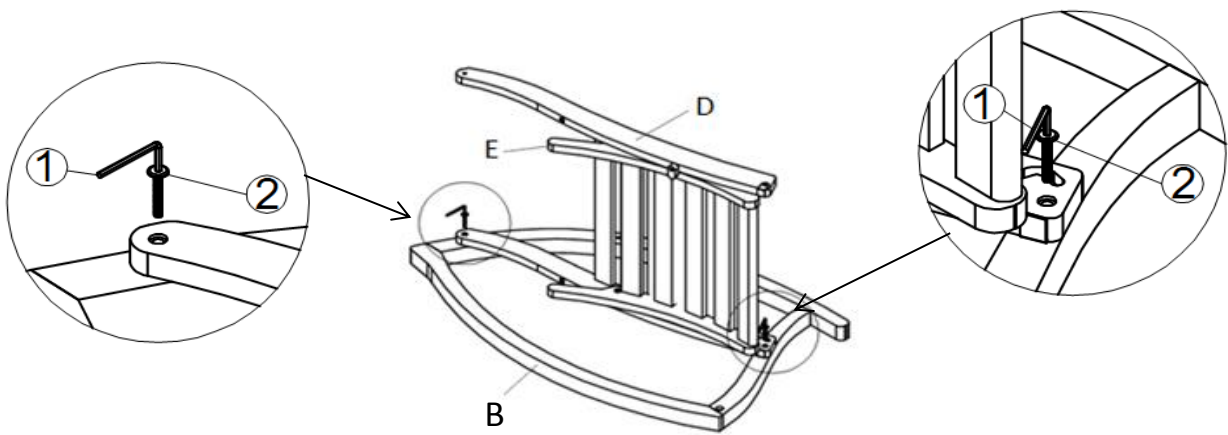
Unpack and place all parts onto a clean, non-marring surface.

Step 2



Align Footrest Panel(E) to Seat Panel(D) as pictured.
Attach Footrest Panel(E) to Seat Panel(D) using Bolts(②) with Allen Key(①).
Do not fully tighten the Bolts.

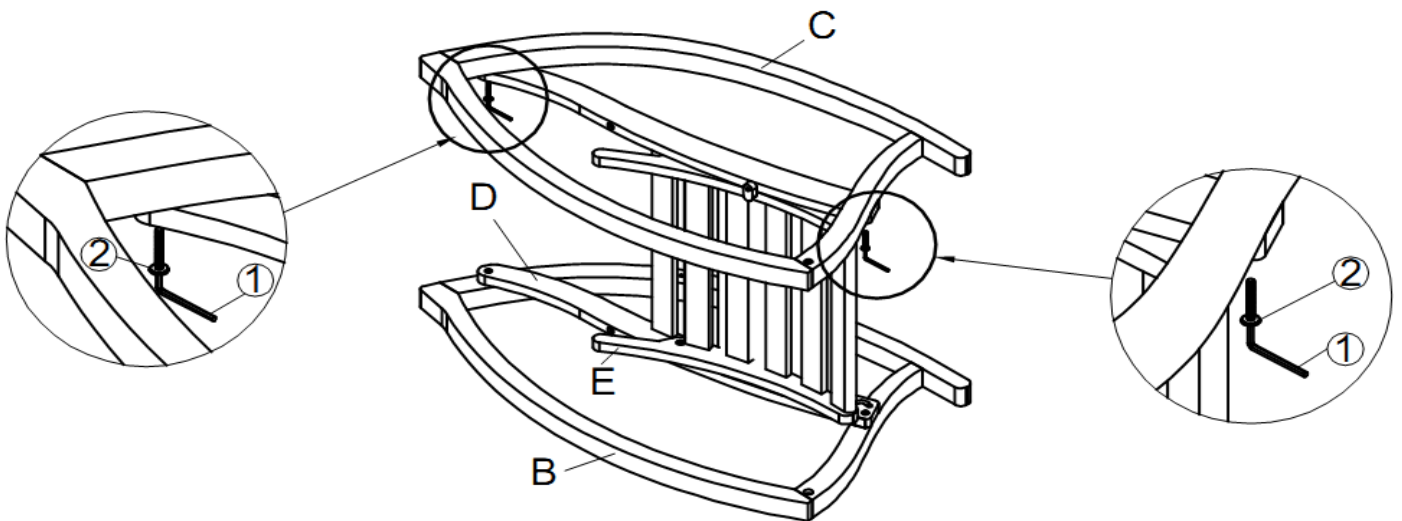
Step 3



Attach Seat Panel(D) to Right Leg Panel(B) using Bolts(②) with Allen Key(①) as pictured above.

Do not fully tighten the Bolts.

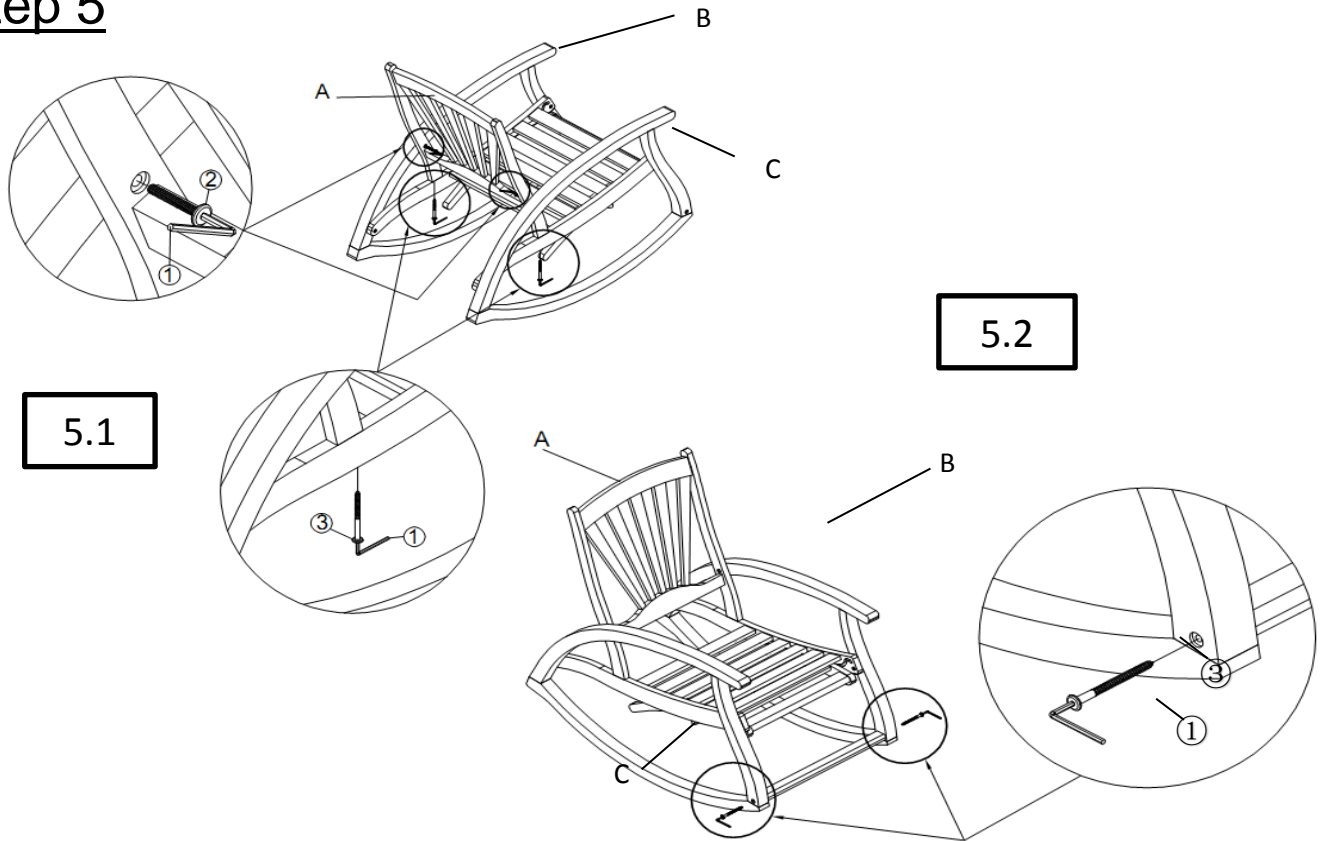
Step 4



Attach Left Leg Panel(C) to Seat Panel(D) using Bolts(②) with Allen Key(①) as pictured above.

Do not fully tighten the Bolts.

Step 5



With assistance from your adult partner, stand the Chair up.

Position Backrest Panel(A) between Left Leg Panel(C) and Right Leg Panel(B) as pictured above.

5.1) Secure Backrest Panel(A) to Left Leg Panel(C) and Right Leg Panel(B) using Bolts(②) with Allen Key(①).

Then attach Backrest Panel(A) to Seat Panel(D) using Screws(③) with Allen Key(①).

5.2) Attach Front Bar(F) to Left Leg Panel(C) and Right Leg Panel(B) using Screws(③) with Allen Key(①).

Inspect it and make sure all parts are adequately connected.

Gently and gracefully, sit into to the Chair.

This will help to align all the parts at all joint areas.

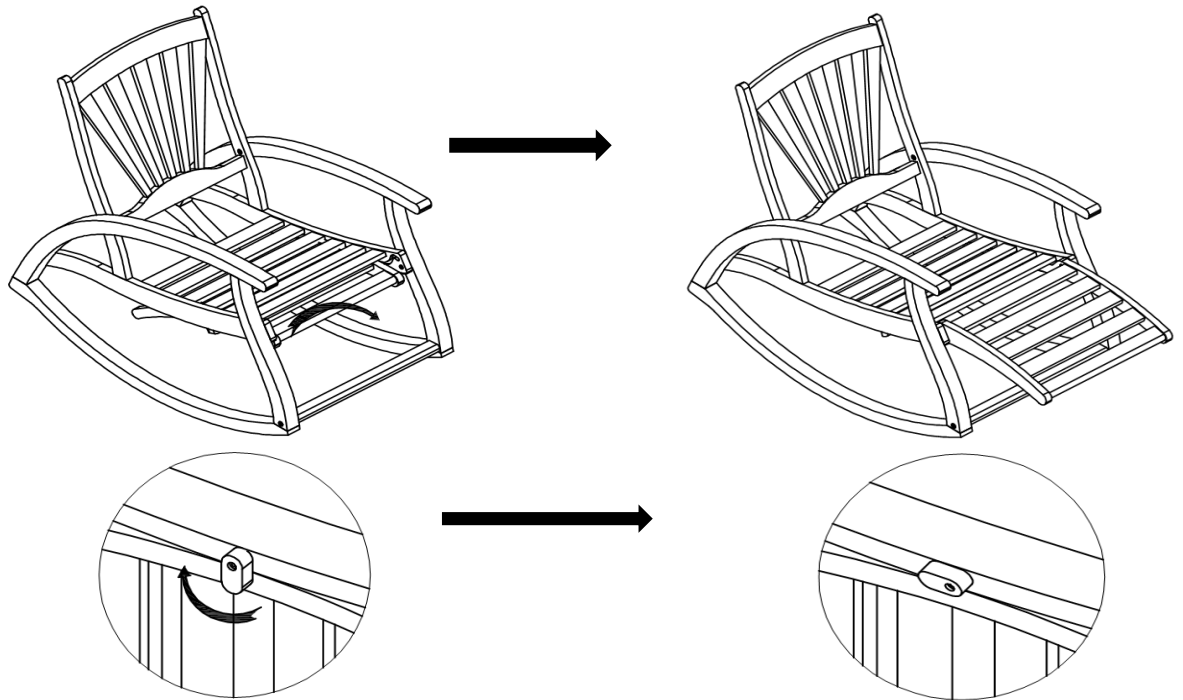
Then get off the Chair and proceed to tighten the Bolts and Screws in a sequential manner.

When tightening the Bolts and Screws tighten sequentially.

DO NOT tighten any Bolt or Screw fully and then move on towards the next one.

If there are still wobbles, loosen the Bolts and execute this same process.

Step 6

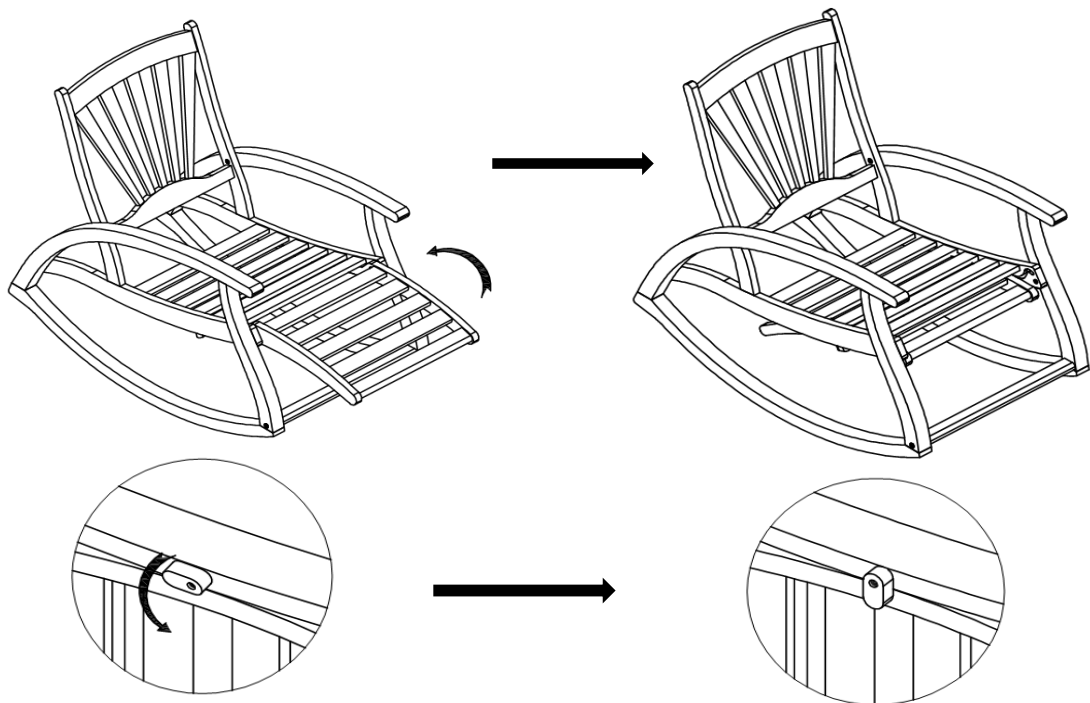


To use the Rocking Chair Footrest:

Open the Wooden Lock.

Pull the Footrest out by hand.

Step 7












To close the Footrest:

Push the Footrest under the Seat Panel by hand then close the Wooden Lock.
Your Rocking Chair is ready for use.

This Rocking Chair can only be used on a flat, level surface.

Children should always be supervised when using the Rocking Chair.

Care & Maintenance

- ⊘  ● Do not put hot items directly on furniture surface.
 - ⊘  ● Do not clean furniture with harsh cleansers or polish.
 - ✓  ● To obtain the longest lifespan of your outdoor products, minimizing exposure to direct sunlight is recommended.
 - ⊘  ● Children should not climb or jump on the furniture.
 - ⊘  ● Do not write on furniture without a padded barrier to protect the surface.
 - ✓  ● To obtain the longest lifespan of your outdoor products, avoid extended and lengthy exposure to rain, snow, and direct sunshine. Whenever possible cover the product and /or place under patio or awnings.
 - ⊘  ● Not for commercial use. For residential use only.
 - ⊘  ● Stains may be removed with mild soap solution and damp cloth.
 - ✓  ● Dust and pick-up spills using a clean, non-colored, lint-free cloth .
-