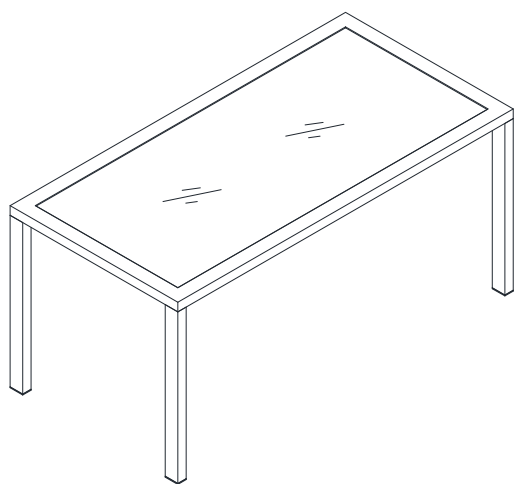


Dining Table





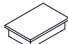
Thank you for purchasing the our product !

Before you start, here are some helpful advice:

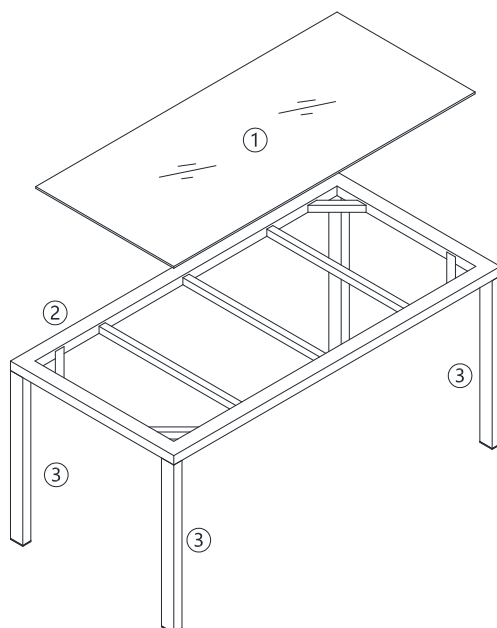
1. We suggest you spend a short time reading through this leaflet and then follow the simple step-by-step instructions.
2. Owing to the size and weight of the table, we recommend that it is assembled by two adults, on a carpeted or padded area, in the room that it is intended for. Approximate assembly time: 30 minutes.
3. Please do not use any tools other than those provided or recommended in these instructions.
4. Please do not throw away any of the packaging or the instruction until you have checked all the components and hardware and the furniture is fully assembled. Please ensure that the packaging is disposed of in a safe and environmentally friendly way.
5. Assemble all components loosely until advised to tighten. Depending on use, it may be necessary to tighten the components from time to time, so please save the tools that have been provided.
6. Please keep all fitting out of reach of children.



Hardware:

A.		Bolt M10x680mm	x 4
B.		Flat Washer M10	x 4
C.		Nut M10	x8
D.		Wrench	x1
E.		Tube Plug	x4

Component:



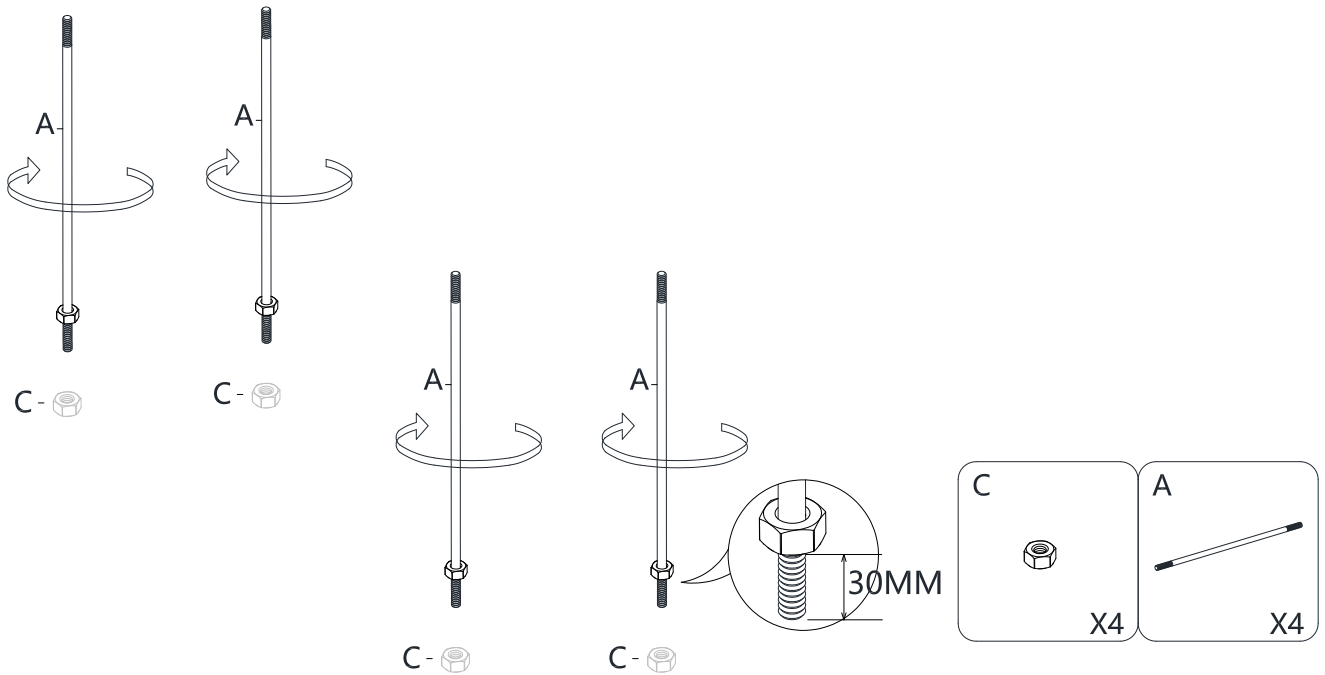
1 Glass x1

2 Frame x1

3 Leg x4

STEP 1:

Insert 4 pieces of **Bolts (A)** into **Nut (C)**. Tighten **Bolts (A)** by hand.



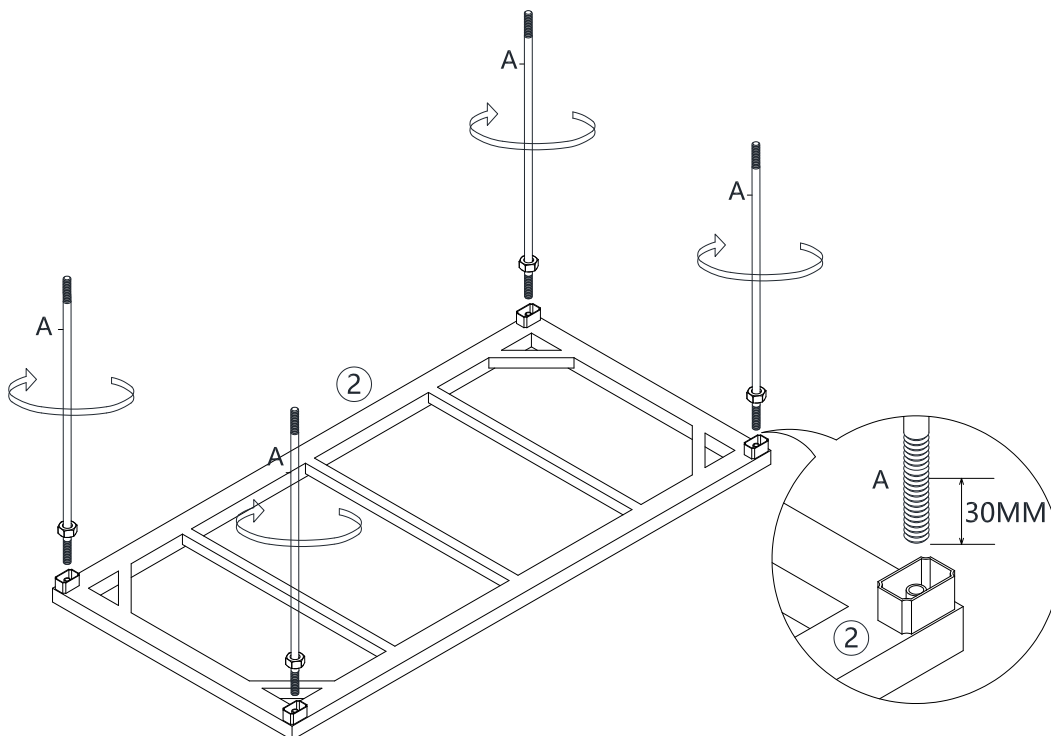
Hardware & Tools required

STEP 2:

Put **Frame (2)** on a carpeted or padded surface.

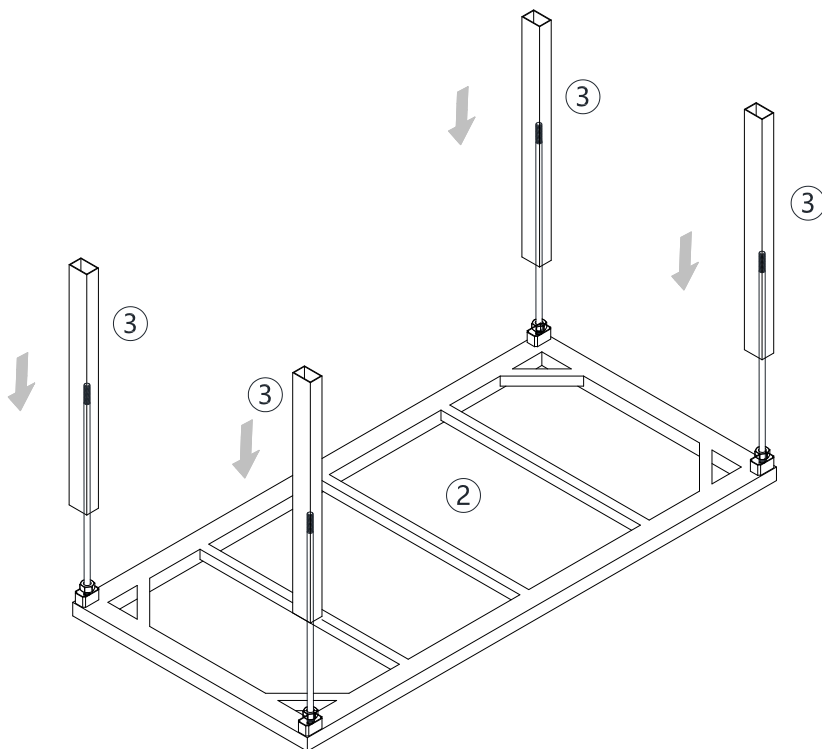
Insert 4 pieces of assembled **Bolts (A)** into the pre-drilled holes on back of **Frame (2)**.

Tighten **Bolts (A)** clockwise until secure by hand.



STEP 3:

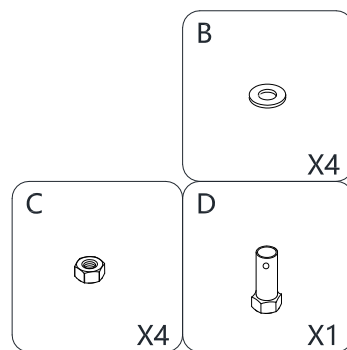
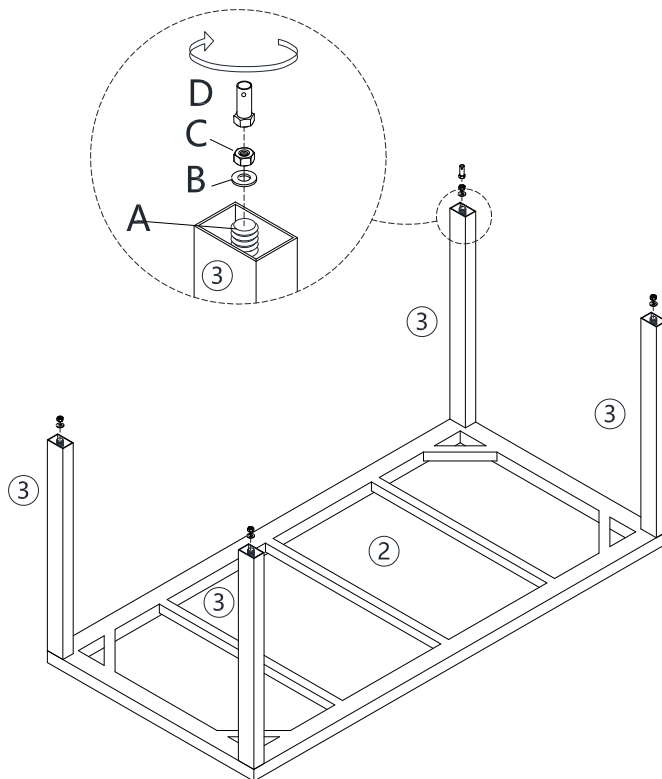
Insert 4 pieces of **Legs (3)** on **Bolts (A)** through the pre-drilled holes on **Legs (3)**.



STEP 4:

Insert 4 pieces of **Nuts (C)** with 4 pieces of **Flat Washers (B)** into the pre-drilled holes on **Legs (3)** to the end of assembled **Bolts (A)**.

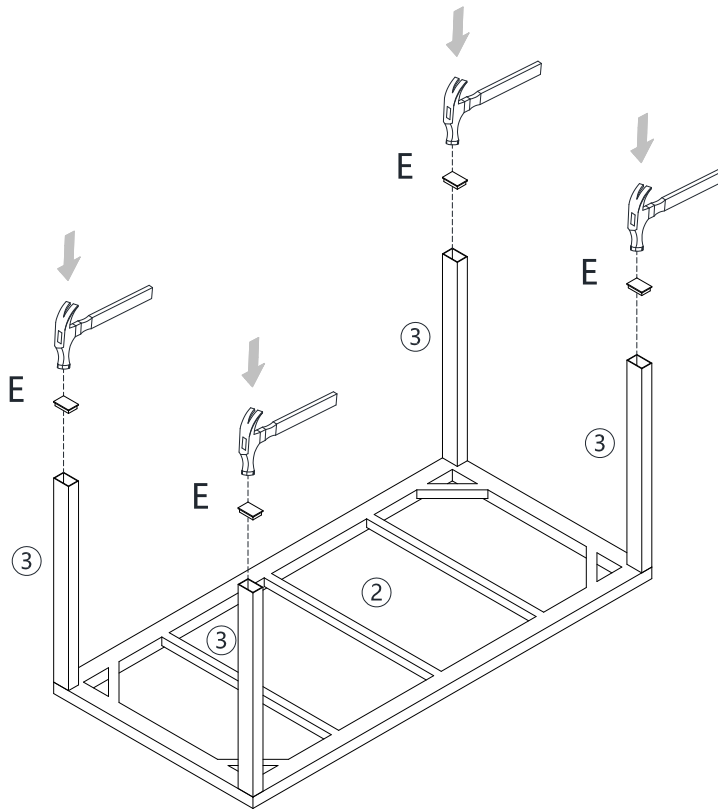
Use **Wrench (D)** to tighten **Nuts (C)** clockwise until secure.



Hardware & Tools required

STEP 5:

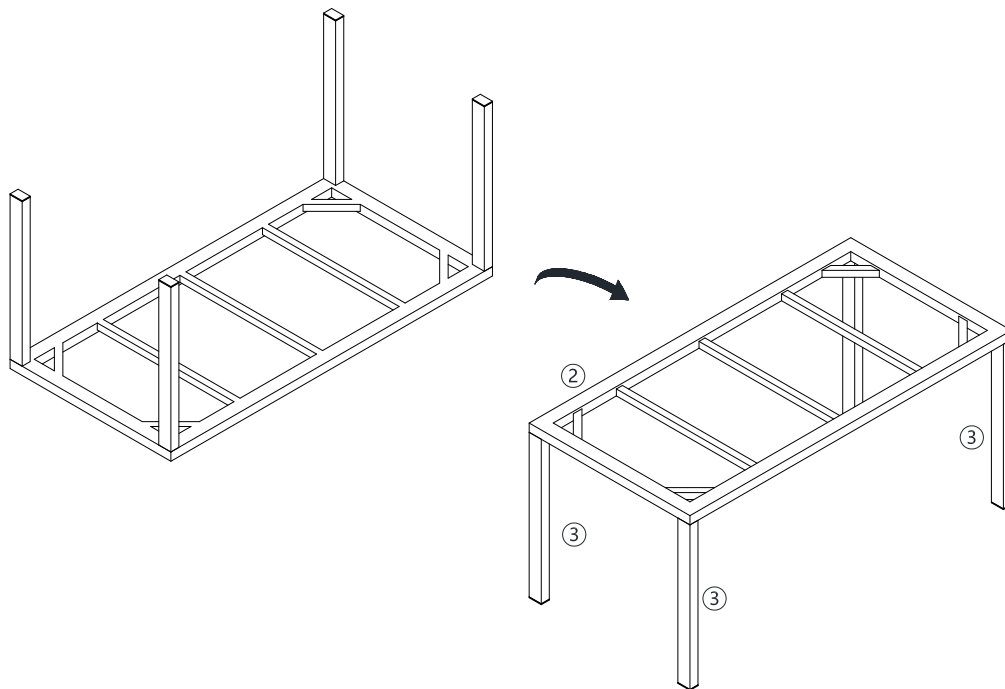
Insert 4 pieces of **Tube Plugs (E)** into the end of pre-drilled holes on **Legs (3)** as shown.



Hardware & Tools required

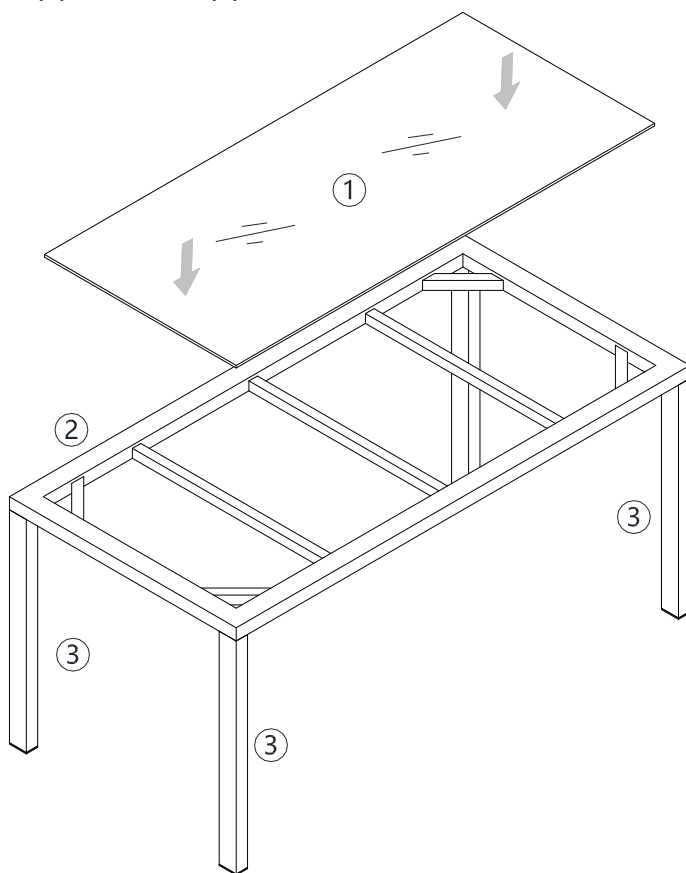
STEP 6:

Carefully turn over the assembled dining table.



STEP 7:

Then carefully put **Glass (1)** on **Frame (2)** as shown.



STEP 8:

Assembly is complete. Your dining table is ready to be used now!

