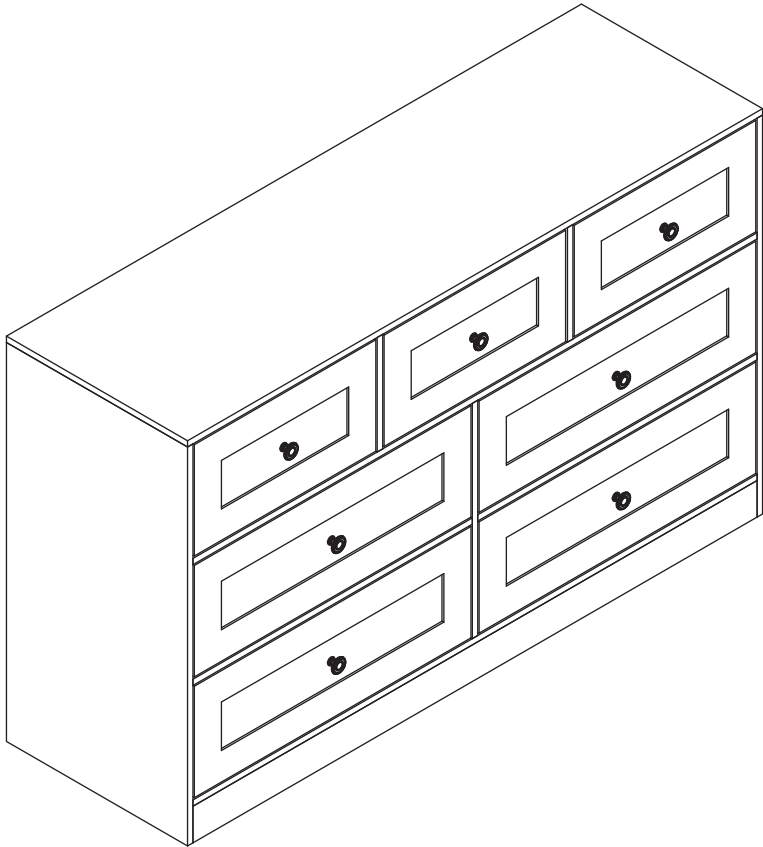


Instruction Manual

3/4 DRAWER CHEST



CONTENTS

Safety and care advice	1
Components - panels	2
Components - fittings	3
Assembly instructions	5
Copyright	20



SAFETY AND CARE ADVICE



PLEASE READ THESE INSTRUCTIONS CAREFULLY AND KEEP FOR FUTURE REFERENCE

Warning: Please lift with care.

- Check you have all the components and tools listed on pages 2 and 3.
- Remove all fittings from the plastic bags and separate them into their groups.
- Keep children and animals away from the work area, small parts could choke if swallowed.
- Make sure you have enough space to layout the parts before starting.
- Do not stand or put weight on the product, this could cause damage.
- Assemble the item as close to its final position (in the same room) as possible.
- Assemble on a soft level surface to avoid damaging the unit or your floor (use opened out unit carton).



·We do not recommend the use of power drill/drivers **for inserting screws**, as this could damage the unit. Only use hand screwdrivers.

·**Safety note:** If there is any chance of this unit being pulled over by children etc. it is recommended that the unit is secured to a wall using suitable fixings.

·Dispose of all packaging carefully and responsibly.

CARE AND MAINTENANCE

- Only clean using a damp cloth and mild detergent, do not use bleach or abrasive cleaners.
- From time to time check that there are no loose screws on this unit.

·This product should not be discarded with household waste. Take to your local authority waste disposal center.

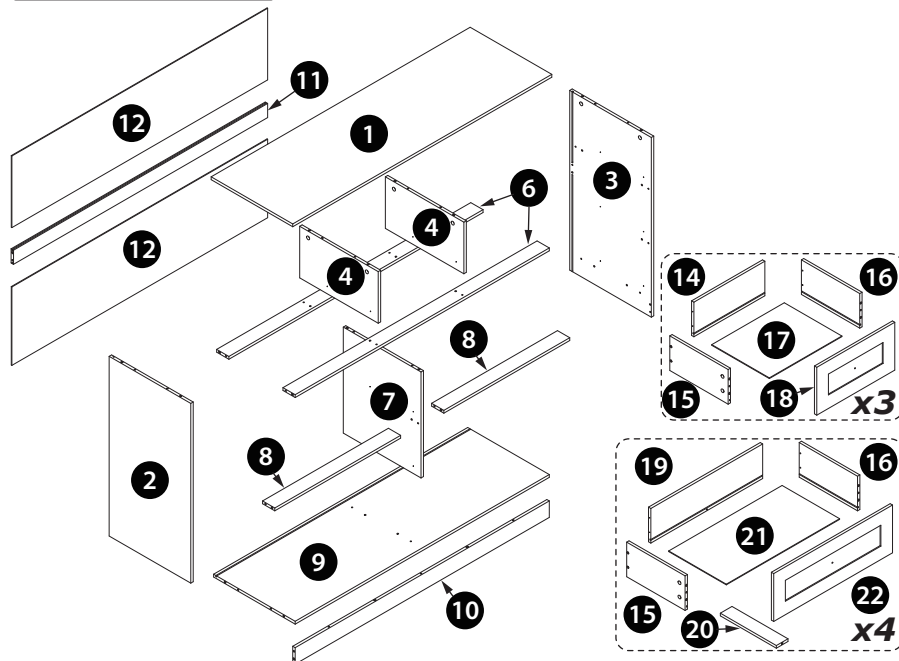
Note: *If required the next page can be cut out and used as reference throughout the assembly. Keep this page with these instructions for future reference*

COMPONENTS — PANELS

Please check you have all the panels listed below:



**2 PERSON
ASSEMBLY
RECOMMENDED**



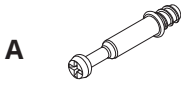
PANEL LIST

<u>PACK 1/2</u>		<u>PACK 2/2</u>	
4	Vertical Panel	x2	
7	Vertical Panel	x1	
14	Drawer Back Panel	x3	
15	Drawer Left Side Panel	x7	
16	Drawer Right Side Panel	x7	
17	Drawer Bottom Panel	x3	
18	Drawer Front Panel	x3	
19	Drawer Back Panel	x4	
20	Drawer Support Bar	x4	
21	Drawer Bottom Panel	x4	
22	Drawer Front Panel	x4	
			1
			2
			3
			6
			8
			9
			10
			11
			12



COMPONENTS — FITTINGS

Please check you have all the fittings listed below:



A

Metal Dowel x 58



B

Lock (Ø15x9.5mm) x 60



C

Screw(Ø4x35mm) x 42



D

Wooden Dowel(Ø8x30mm) x 33



E

Screw(Ø4x20mm) x 7



F

Handle x 7



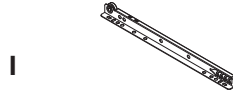
G

Screw(Ø3x12mm) x 56



H

Metal Slide - Female Right x 7



I

Metal Slide - Male Right x 7



J

Metal Slide - Female Left x 7



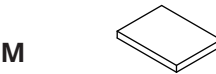
K

Metal Slide - Male Left x 7



L

Wooden Dowel (Ø6x30mm) x 14



M

Foot pad x 6



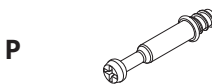
N

Safety Device x 2



O

Wooden Dowel (Ø8x50mm) x 1



P

Metal Dowel x 2



COMPONENTS — FITTINGS

R



Screw(Ø3x14mm) x 6

S



Back Support x 6

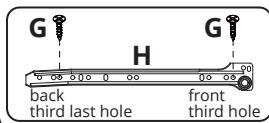
TOOLS NEEDED
(We don't provide)



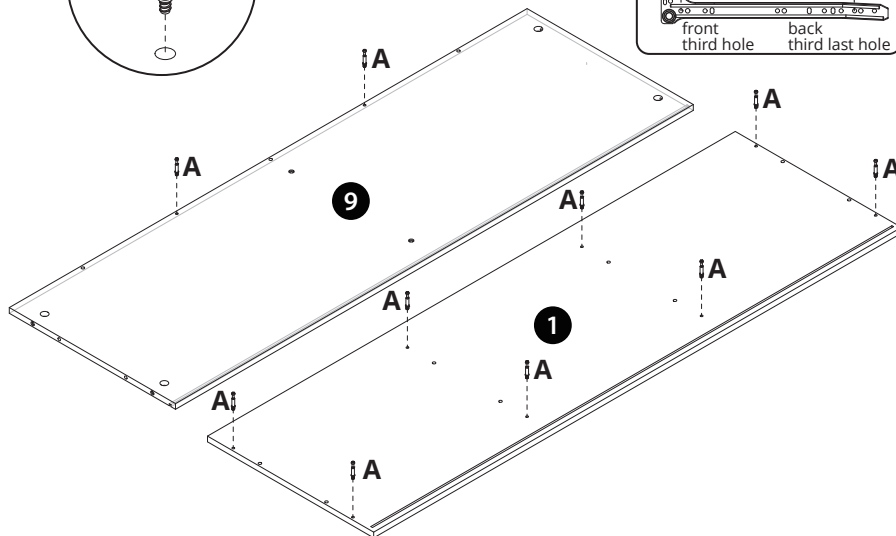
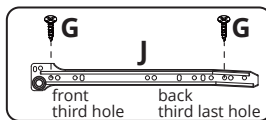
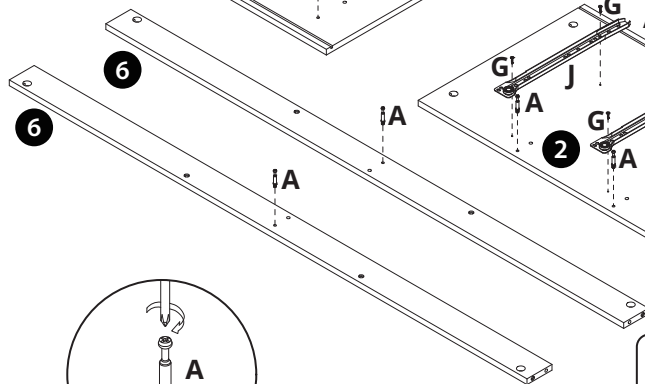
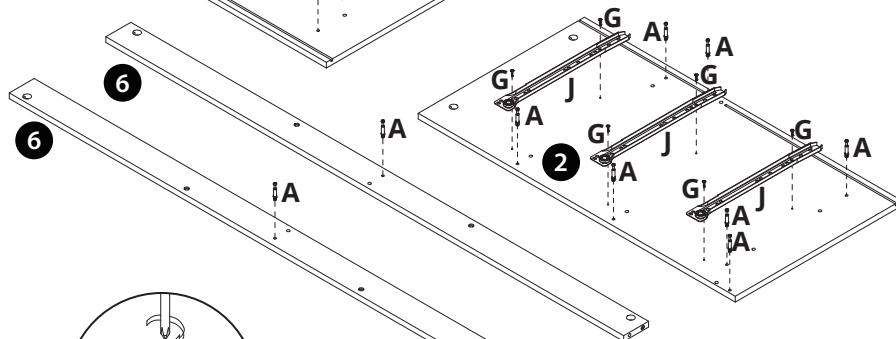
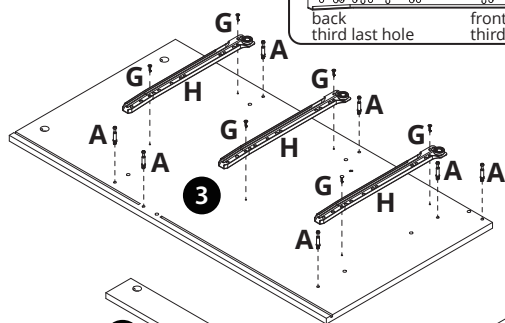
Phillips Screwdriver x 1

ASSEMBLY INSTRUCTIONS

Step 1

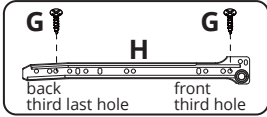
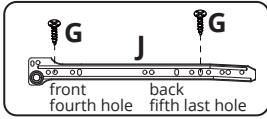


A		26	
G		12	
H		3	
J		3	

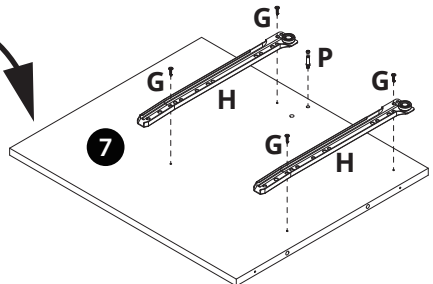
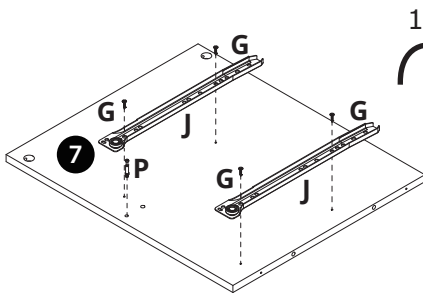
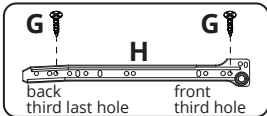
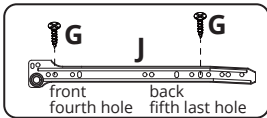
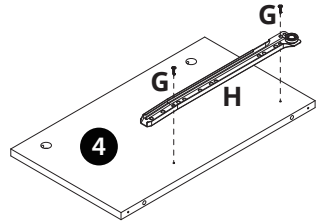
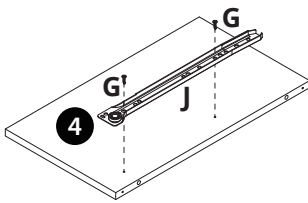


ASSEMBLY INSTRUCTIONS

Step 2

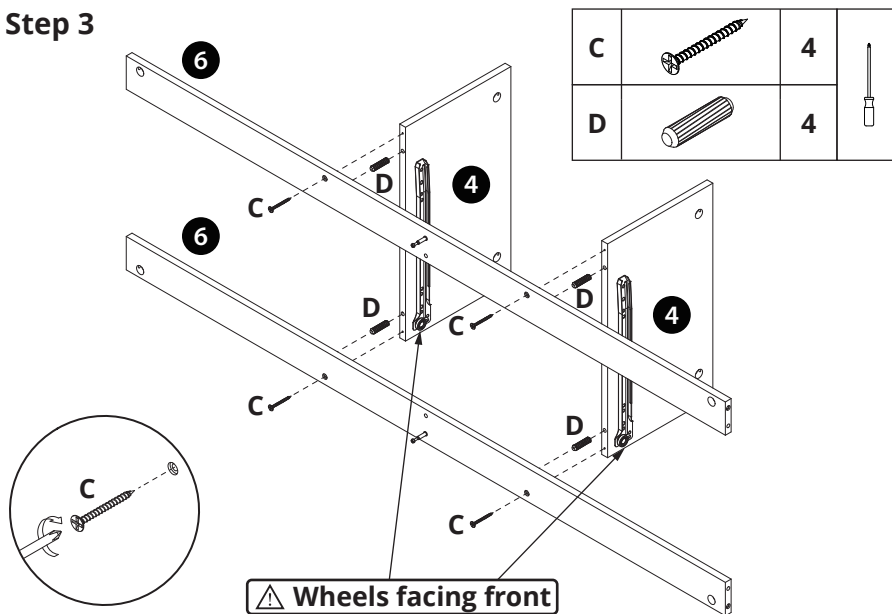


G		16	
H		4	
J		4	
P		2	

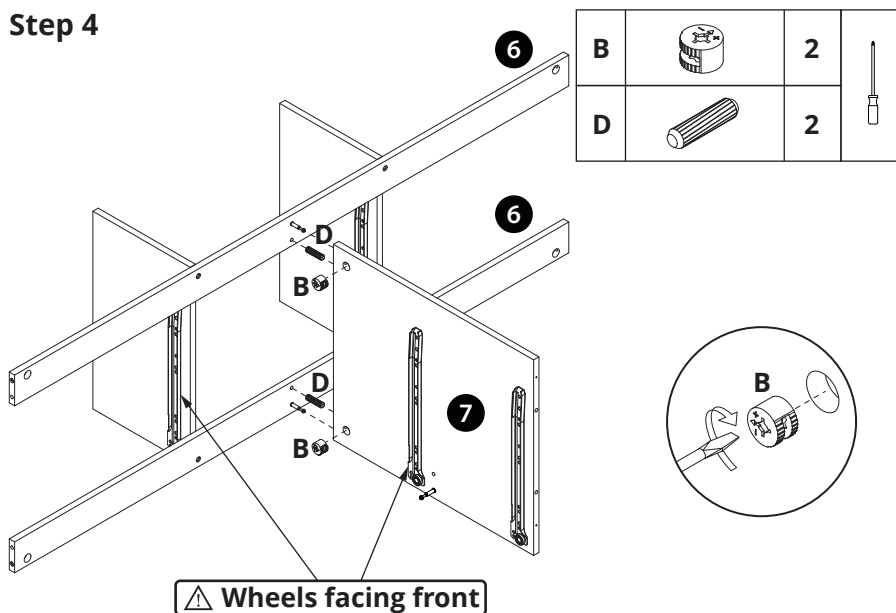


ASSEMBLY INSTRUCTIONS

Step 3






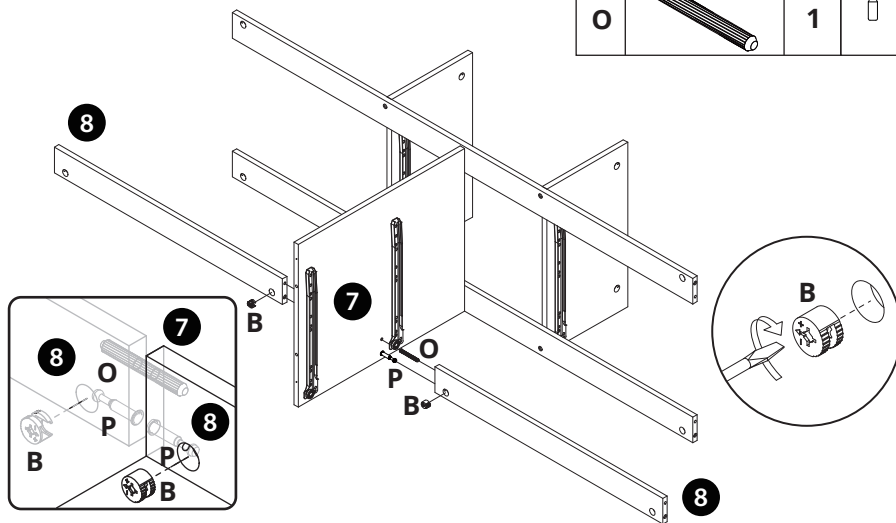
Step 4





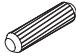
ASSEMBLY INSTRUCTIONS

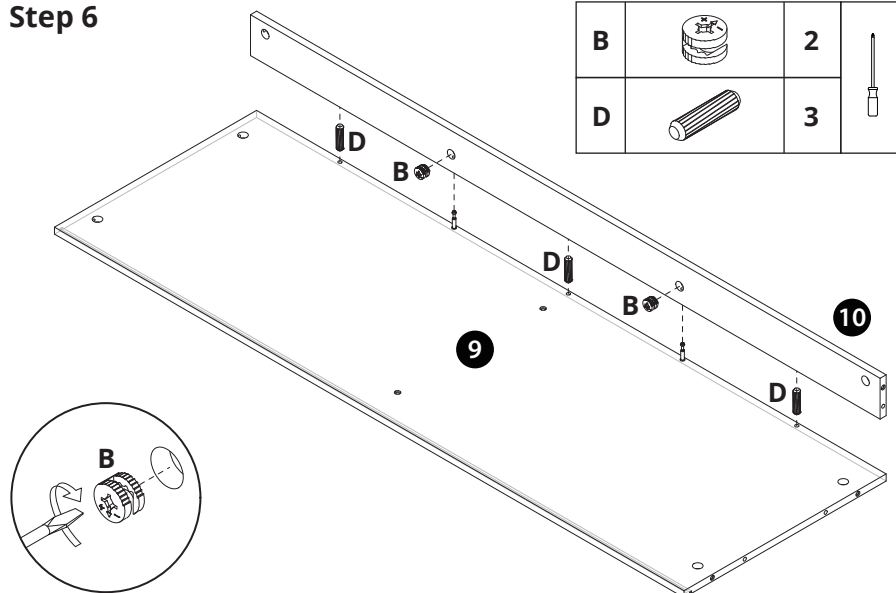
Step 5

B		2	
O		1	





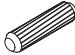
Step 6

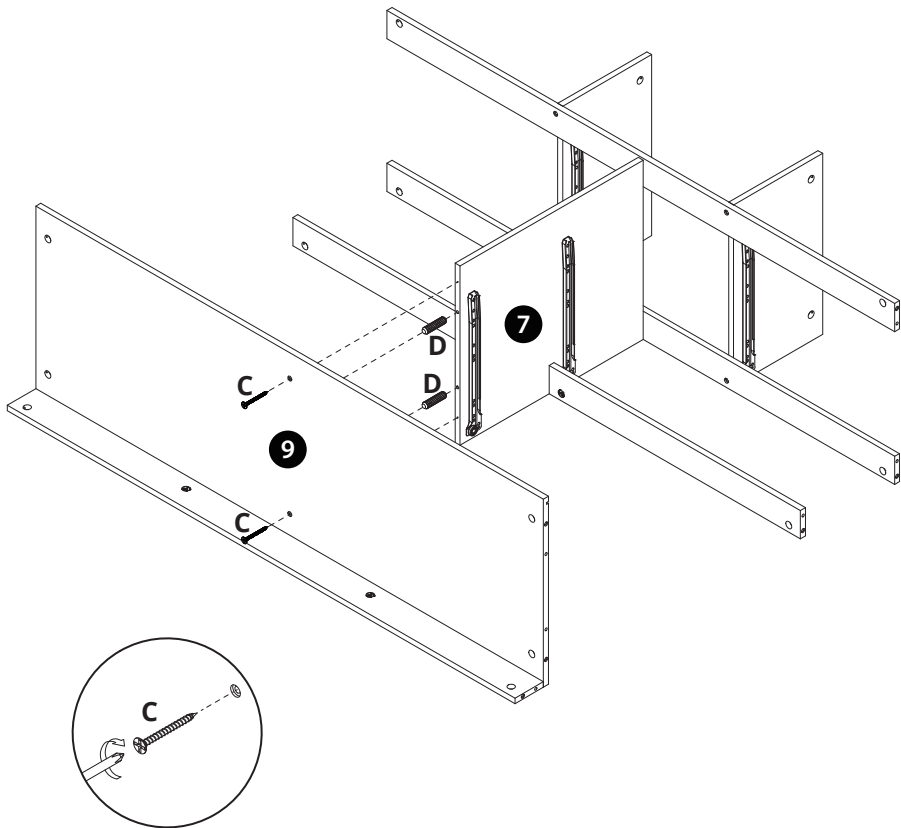
B		2	
D		3	



ASSEMBLY INSTRUCTIONS




Step 7

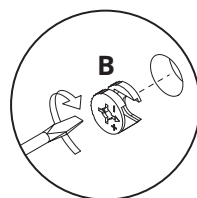
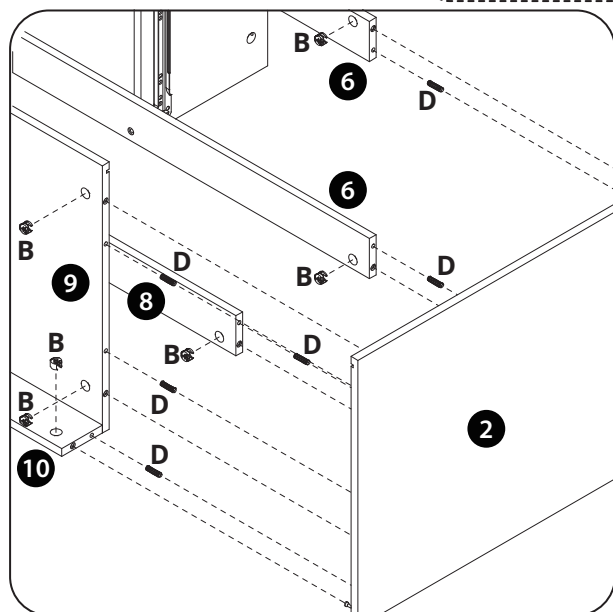
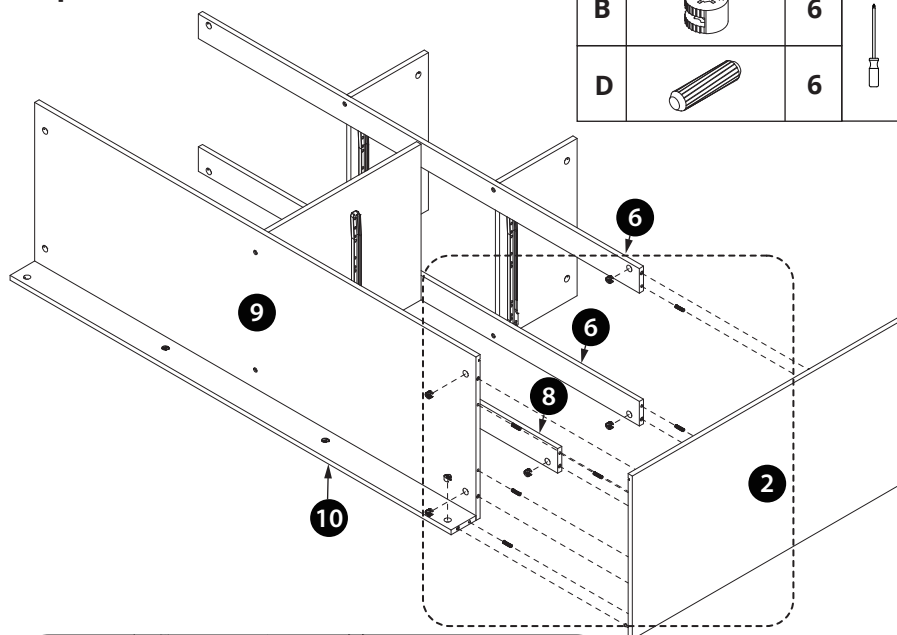
C		2	
D		2	



ASSEMBLY INSTRUCTIONS

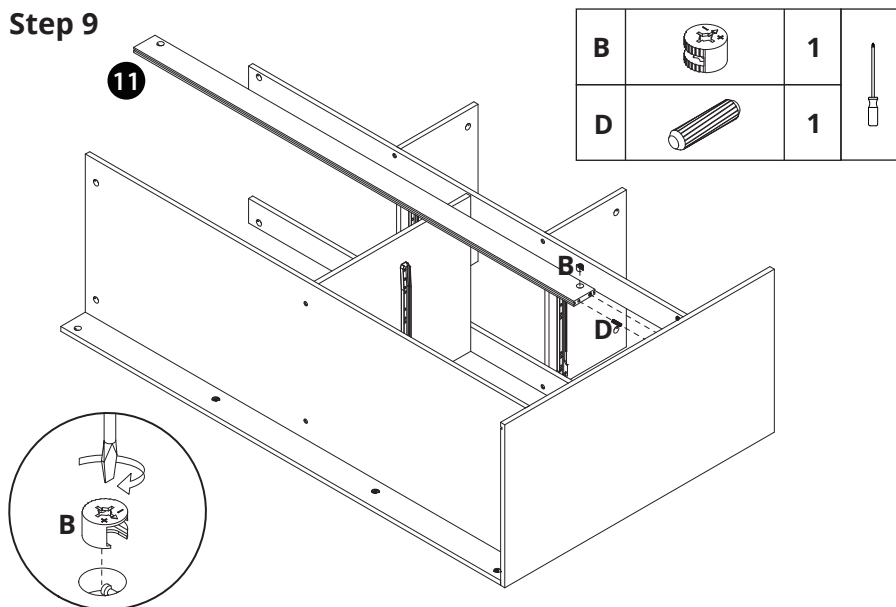
Step 8

B		6	
D		6	

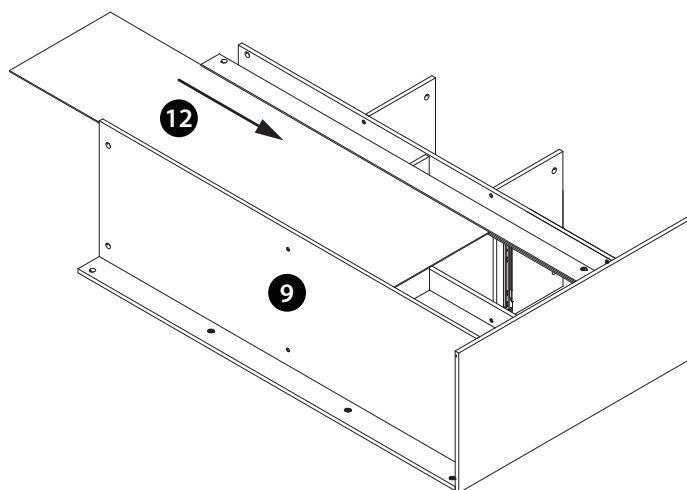


ASSEMBLY INSTRUCTIONS

Step 9

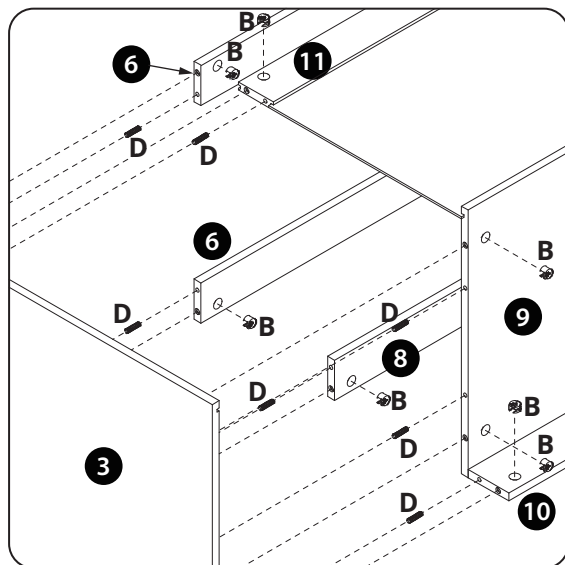




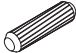
Step 10

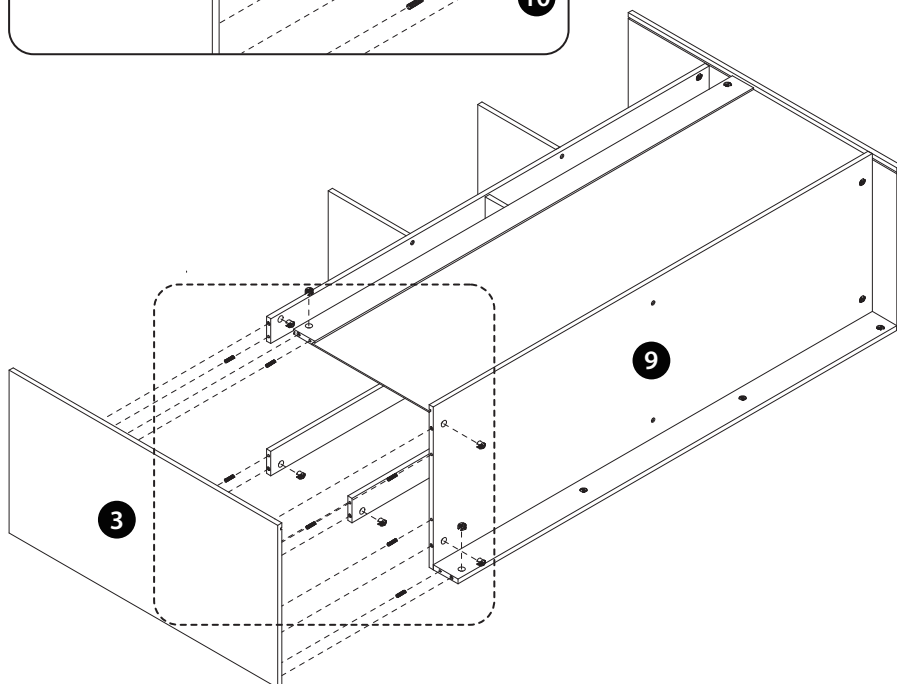
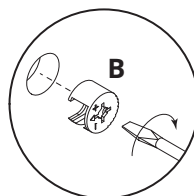


ASSEMBLY INSTRUCTIONS

Step 11




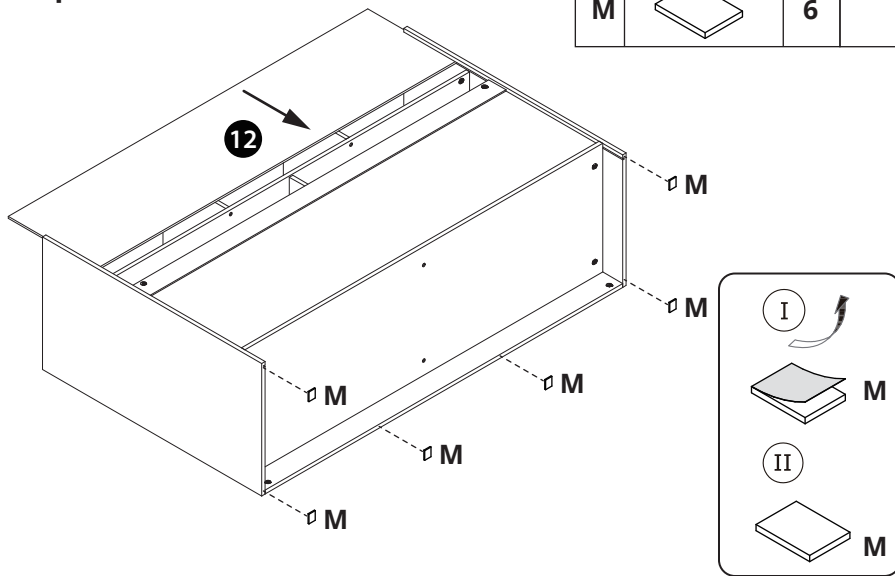
B		7	
D		7	





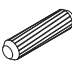
ASSEMBLY INSTRUCTIONS

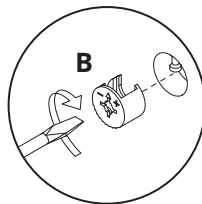
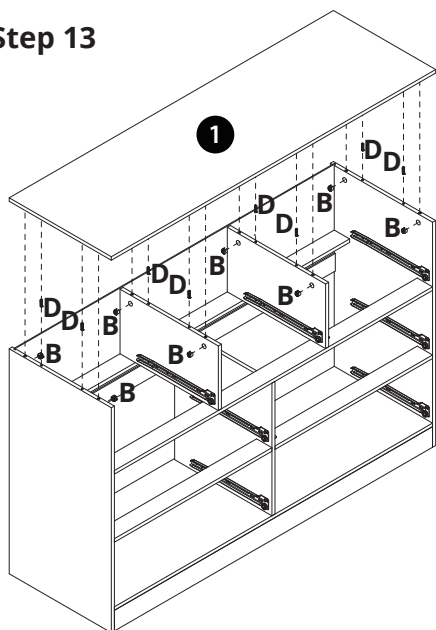
Step 12

M		6	
---	---	---	--



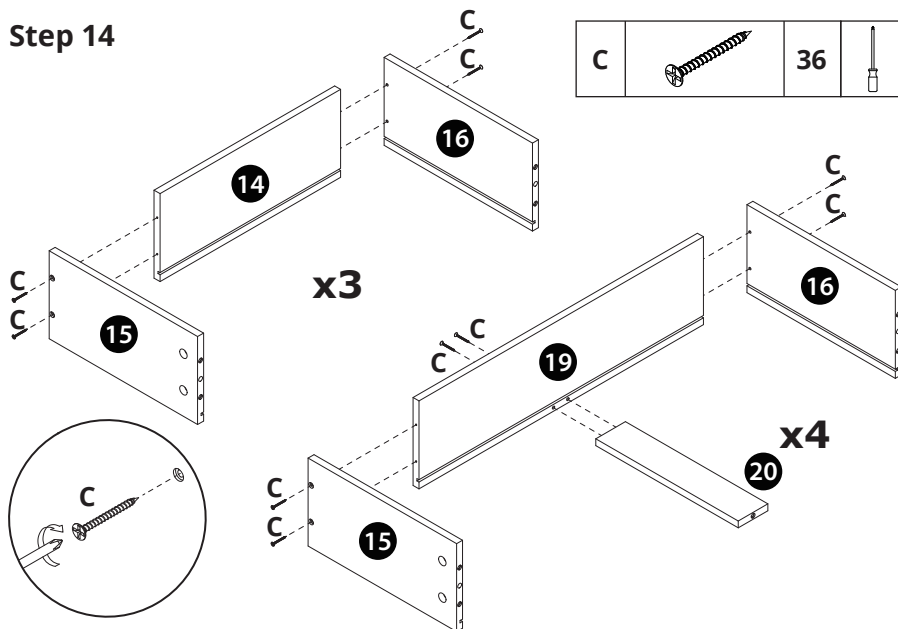
Step 13

B		8	
D		8	

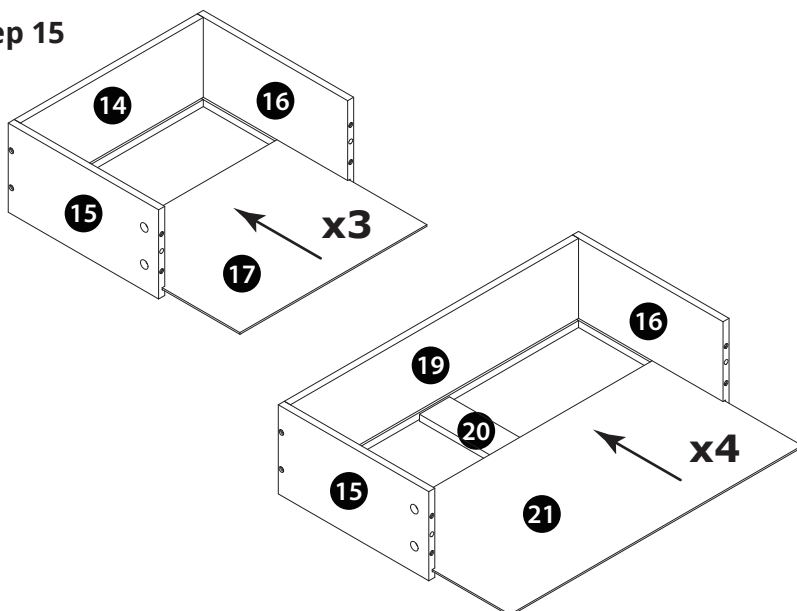


ASSEMBLY INSTRUCTIONS

Step 14

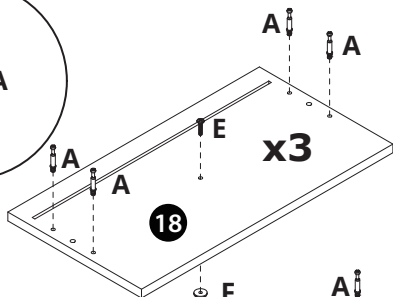
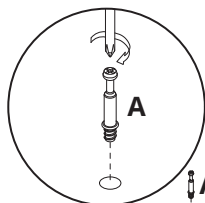


Step 15

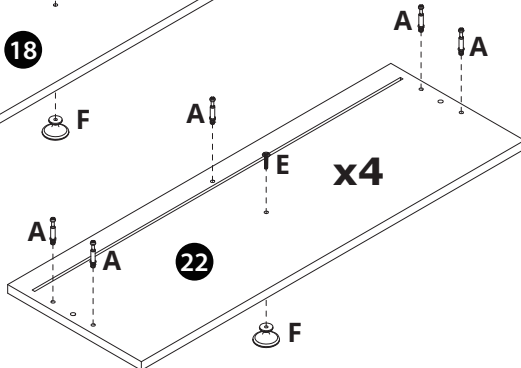
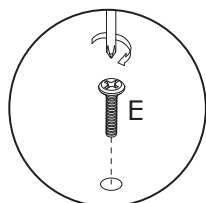


ASSEMBLY INSTRUCTIONS

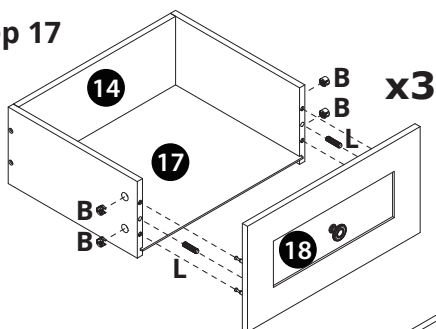
Step 16



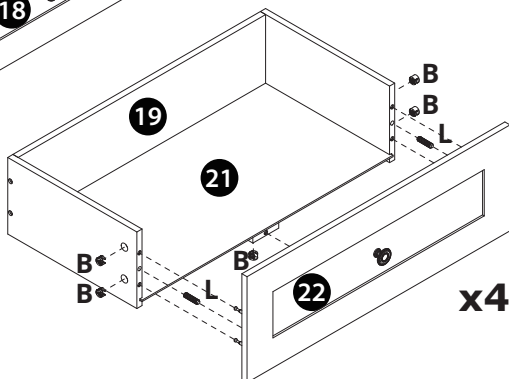
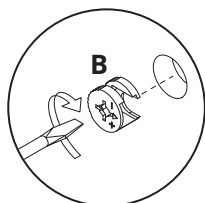
A		32	
E		7	
F		7	



Step 17

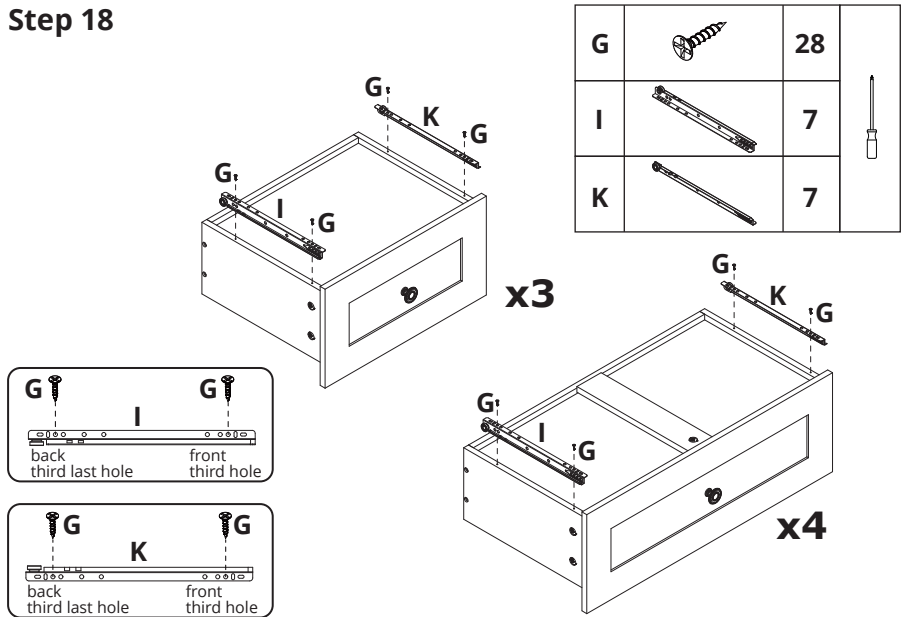


B		32	
L		14	

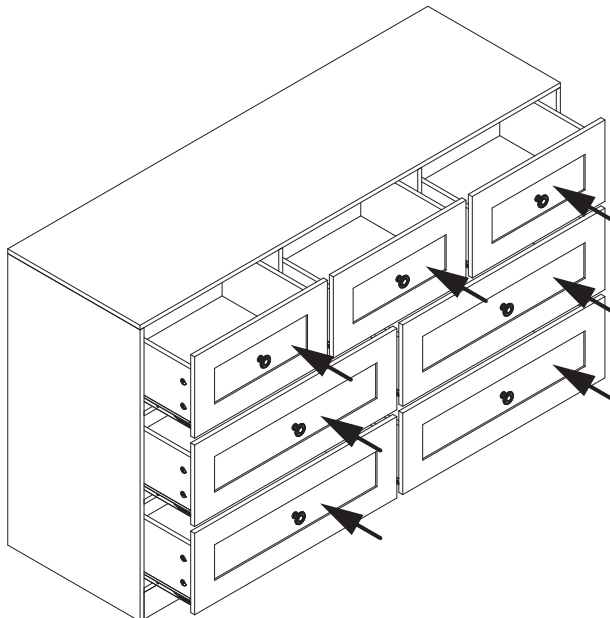


ASSEMBLY INSTRUCTIONS

Step 18

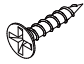




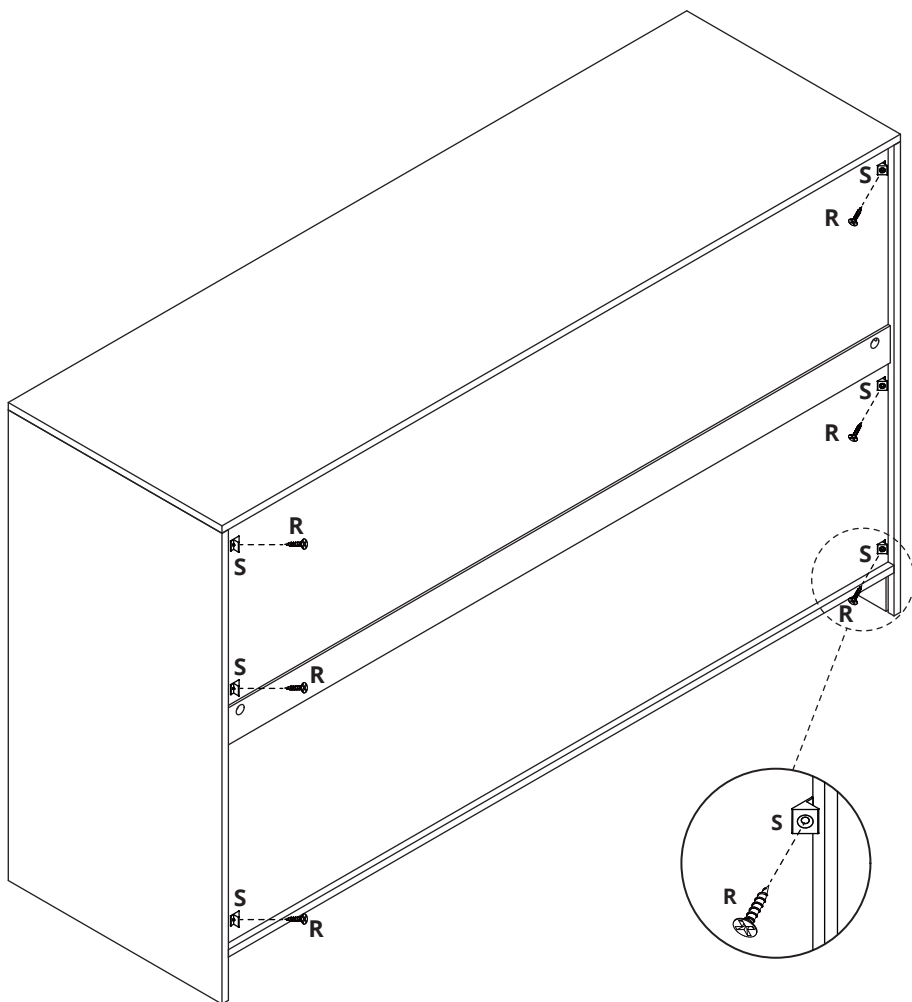
Step 19



ASSEMBLY INSTRUCTIONS

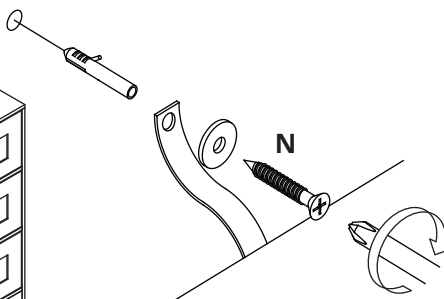
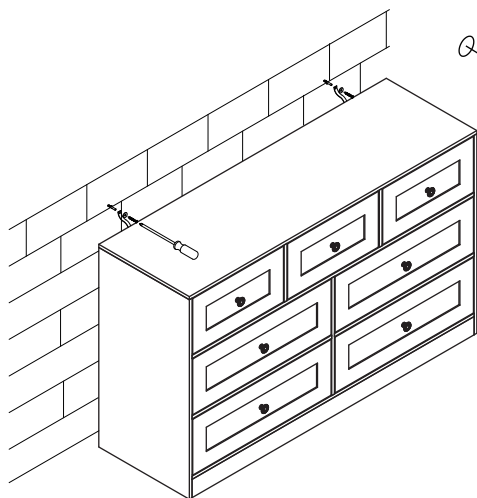
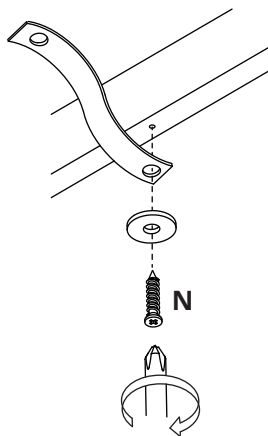
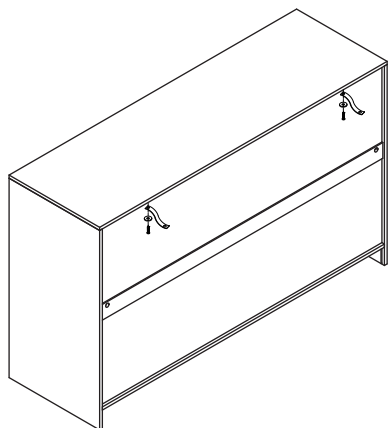
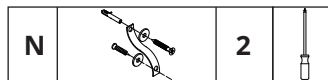
Step 20

R		6	
S		6	

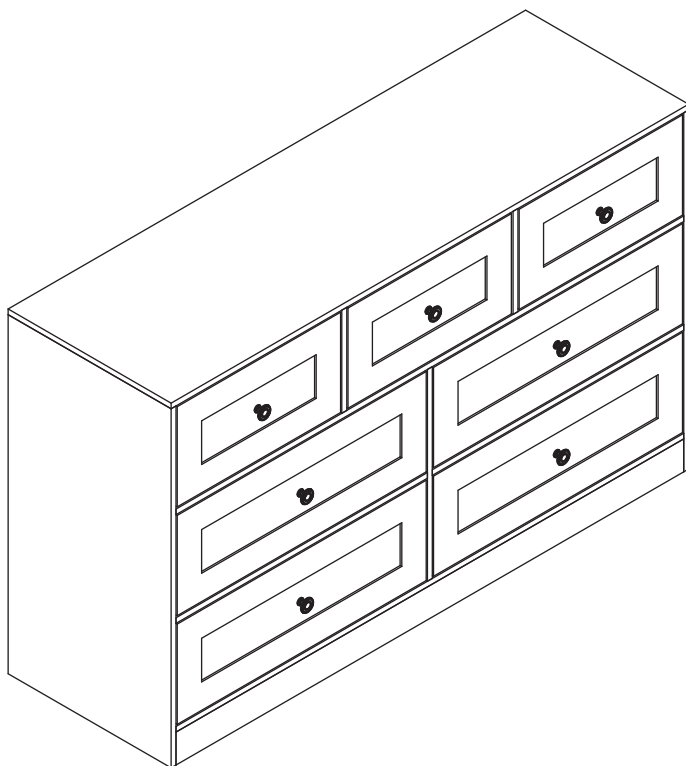


ASSEMBLY INSTRUCTIONS

Step 21



ASSEMBLY INSTRUCTIONS



Congratulations! Now you have finished assembling the product.
