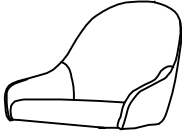
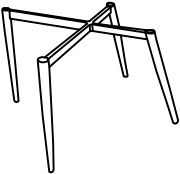
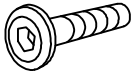



	① SEAT	② LEG	③ SCREW	④ WRENCH	
			 6*45=4	 M6=1	

