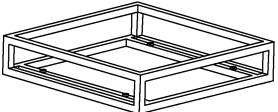
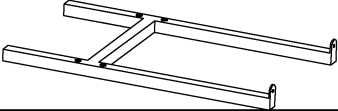
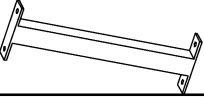




INSTALL INSTRUCTION

No	PARTS LIST	QTY PCS
D		1
E		2
F		2
G		12
H		12

