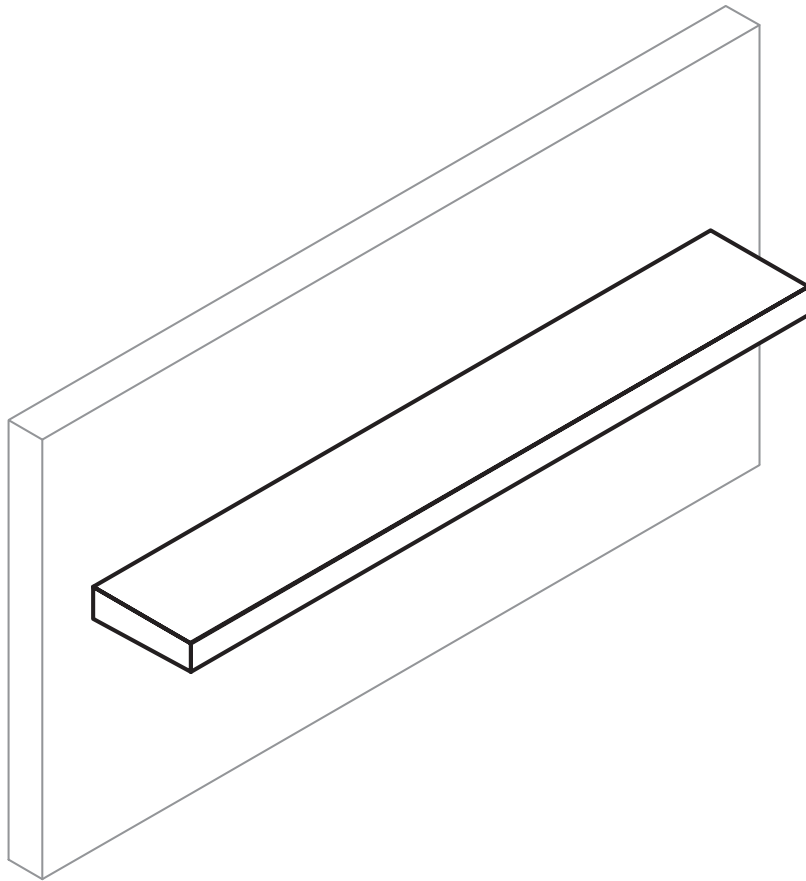




MODERN EMBER

Alma

Floating Shelf



Material: Maple | Walnut | White Oak
Size: 36" | 48" | 60" | 72"

OWNER'S MANUAL

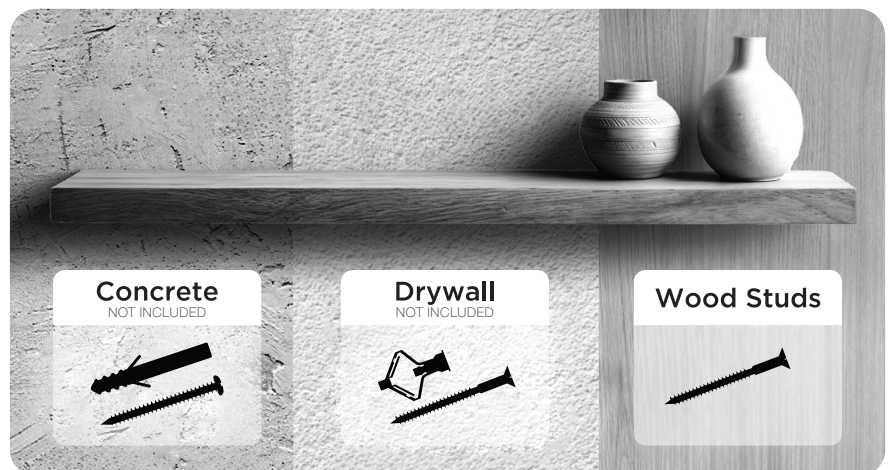
Product Info

MODEL	36"	48"	60"	72"
MAPLE	ALMA-MAP-36-BLD ALMA-MAP-36-SBL ALMA-MAP-36-UMB ALMA-MAP-36-UN	ALMA-MAP-48-BLD ALMA-MAP-48-SBL ALMA-MAP-48-UMB ALMA-MAP-48-UN	ALMA-MAP-60-BLD ALMA-MAP-60-SBL ALMA-MAP-60-UMB ALMA-MAP-60-UN	ALMA-MAP-72-BLD ALMA-MAP-72-SBL ALMA-MAP-72-UMB ALMA-MAP-72-UN
WALNUT	ALMA-WAL-36-BRNTSN ALMA-WAL-36-MCLR ALMA-WAL-36-UN	ALMA-WAL-48-BRNTSN ALMA-WAL-48-MCLR ALMA-WAL-48-UN	ALMA-WAL-60-BRNTSN ALMA-WAL-60-MCLR ALMA-WAL-60-UN	ALMA-WAL-72-BRNTSN ALMA-WAL-72-MCLR ALMA-WAL-72-UN
WHITE OAK	ALMA-WO-36-SBL ALMA-WO-36-UMB ALMA-WO-36-WW ALMA-WO-36-BW	ALMA-WO-48-WW ALMA-WO-48-BW ALMA-WO-48-SBL ALMA-WO-48-UMB	ALMA-WO-60-WW ALMA-WO-60-BW ALMA-WO-60-SBL ALMA-WO-60-UMB	ALMA-WO-72-WW ALMA-WO-72-BW ALMA-WO-72-SBL ALMA-WO-72-UMB

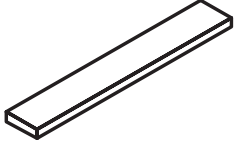
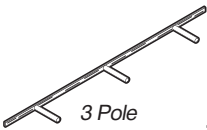
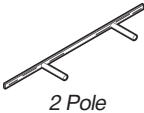
Preparation

MOUNTING GUIDE

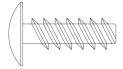


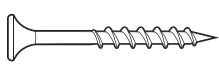
It is recommended to mount to a wall studs. If your application calls for mounting directly to drywall, concrete, or brick, we recommend using the appropriate hardware that can be found at your local hardware store.



PARTS

PART NO.	DESCRIPTION	QTY
1	 Shelf	1
2	 3 Pole OR  2 Pole T-Shaped Bracket	1

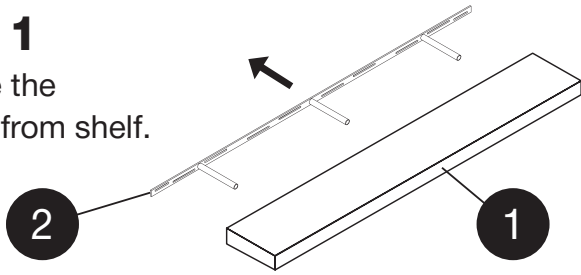
HARDWARE

PART NO.	DESCRIPTION	QTY			
		36"	48"	60"	72"
A	 Short Screw Ø 5/32" x 19mm	2	2	3	3
B	 Flat Washer	2	2	3	3
C	 Medium Screw #8 - 40mm	4	5	6	6
D	 Long Screw #10 - 80mm	4	5	6	6

Installation Instructions

STEP 1

Remove the bracket from shelf.



STEP 2

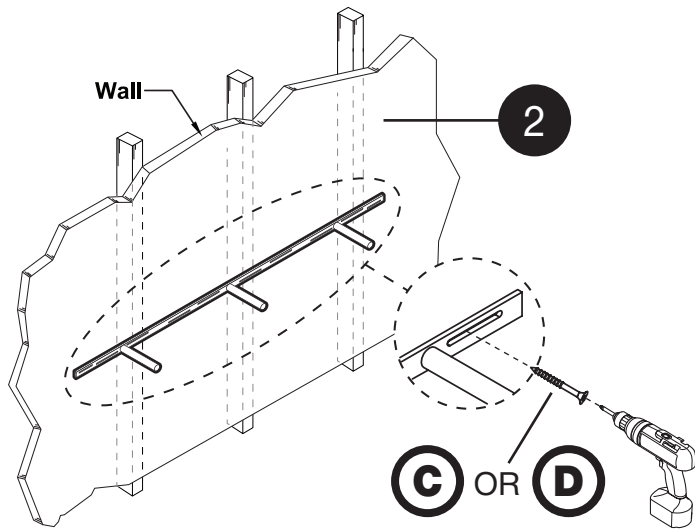
Locate and mark wall studs using stud finder (stud installation is recommended).

NOTE: Always use anchors appropriate for your wall type when a stud is unavailable.

STEP 3

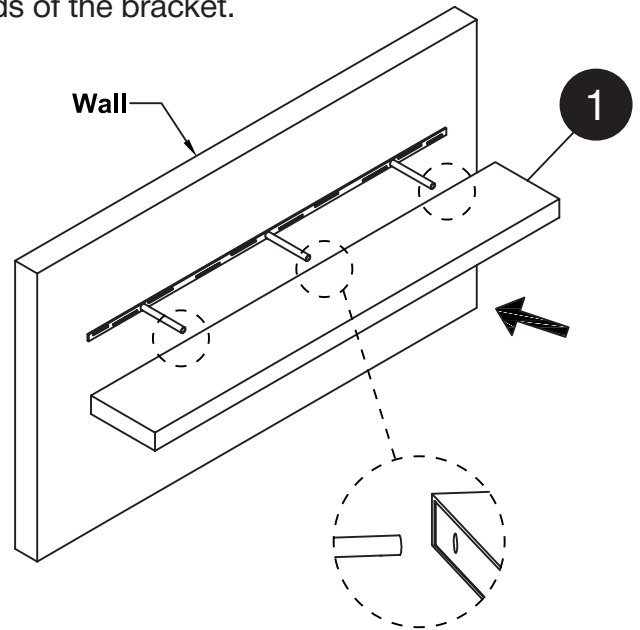
Attach the T-Shaped Bracket (2) to the wall using Medium or Long Screws (C or D).

NOTE: Use a level to level the bracket and mark hole locations. It is recommended drill pilot holes before driving in screws.



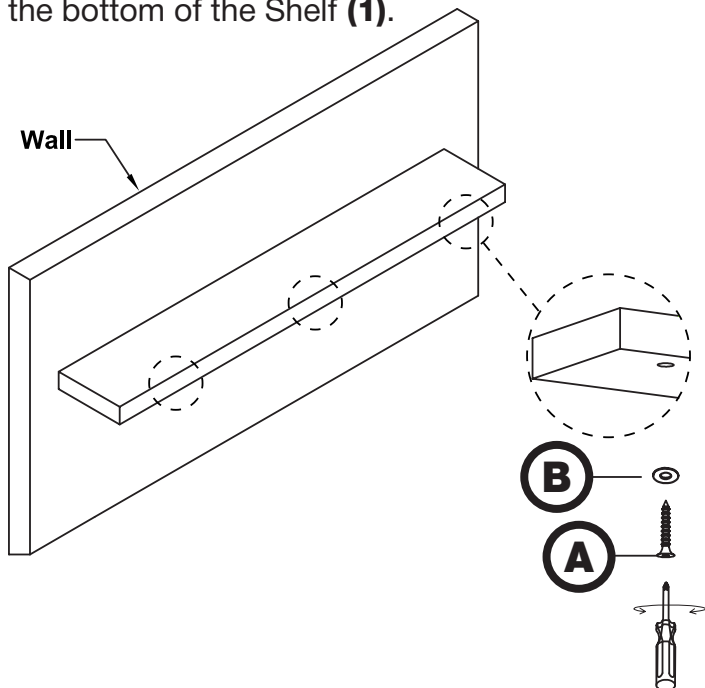
STEP 4

Place the Shelf (1) onto the T-Shaped Bracket (2) by aligning the three holes on shelf with the three rods of the bracket.



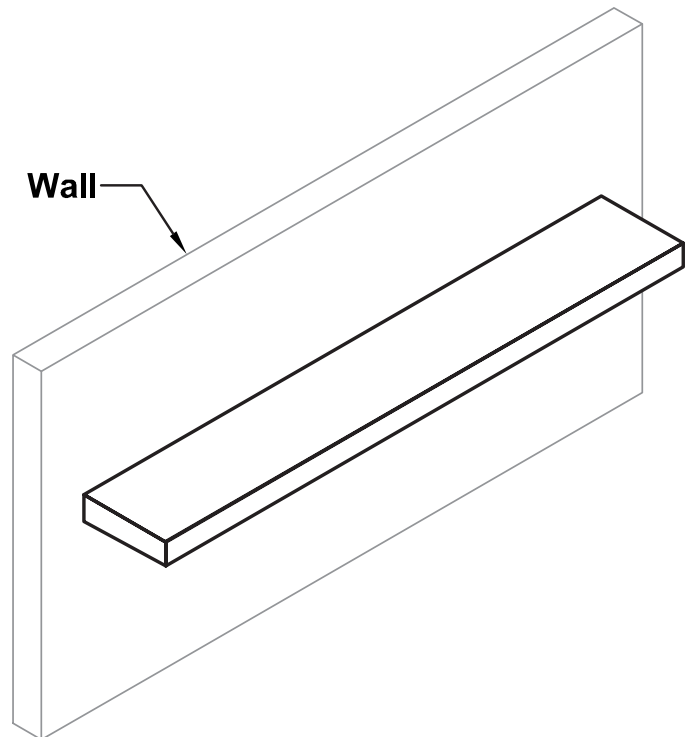
STEP 5

Attach the Shelf (1) to the Bracket (2) using the Flat Washer (B) with the Short Screw (A) through the bottom of the Shelf (1).



STEP 6

Do not overload your shelf.





MODERN EMBER

Thank you for purchasing our Alma Floating Shelf!

Each unit has been manufactured to ensure safety and reliability.
Before first use, read the instructions carefully and keep it for further reference.

Questions, problems, missing parts?
Before returning to store, call Customer Service:

8am-5pm CST, Monday - Friday

Phone: 877-430-0703

Email: resolution@netdirectmerchants.com

Retain this manual for future use.

Don't forget to tag us!
#mantelsdirect
#modernember

