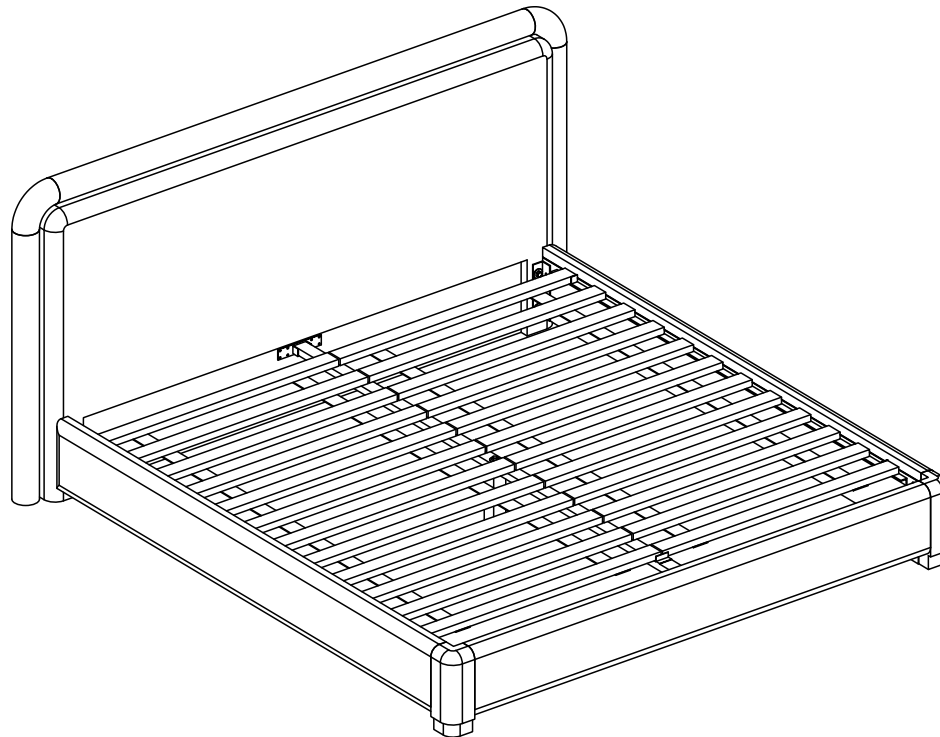


# MOE'S

Assembly Instructions







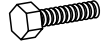
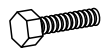


**BOWER BED**

LX-1080-34 / LX-1081-03



Thank you for your purchase!

# Parts and Hardware

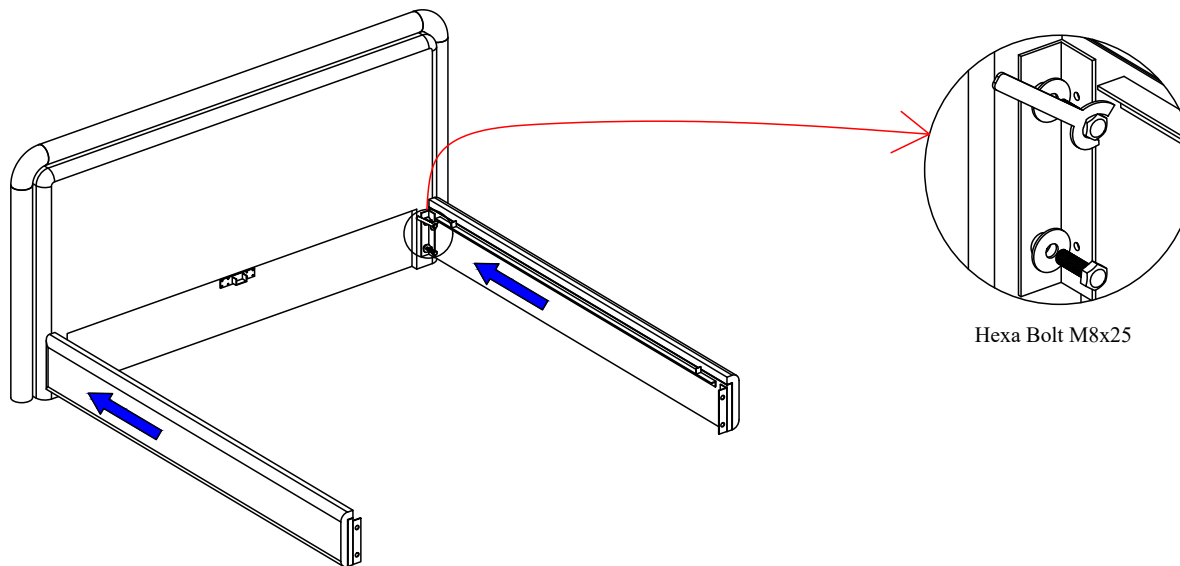
(A) Headboard ,1x 	(B) Footboard ,1x 
(C) Siderail ,1x 	(D) Top ,1x 
(E) Slates ,1x 	(F) Center Leg ,1x 
(G) Hexa Bolt ,9x 25X8 	(H) Hexa bolt ,1x 50X8 
(I) Washer ,9x (8mm) 	(J) Spanner,1x (13no) 

## Notes

Thank you for purchasing this quality product!  
Be sure to check all packing material carefully for small part that may have come loose inside the carton during shipping.

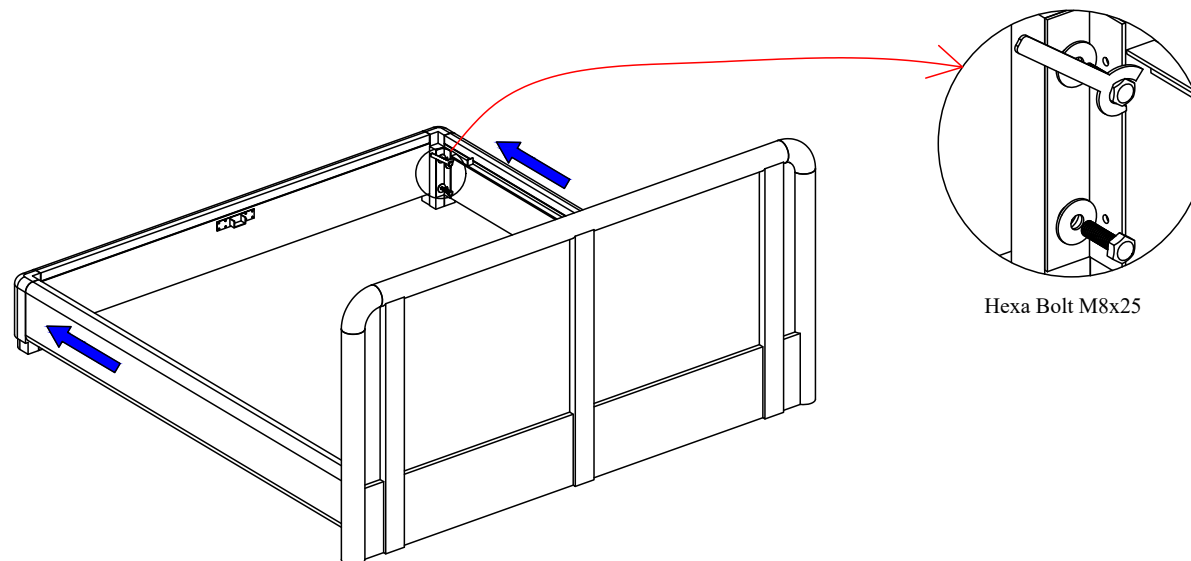
Caution: The item is heavy, assembly should be performed by two people.

## Step 1









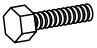



Hexa Bolt M8x25

## Step 2



Hexa Bolt M8x25

## Parts and Hardware

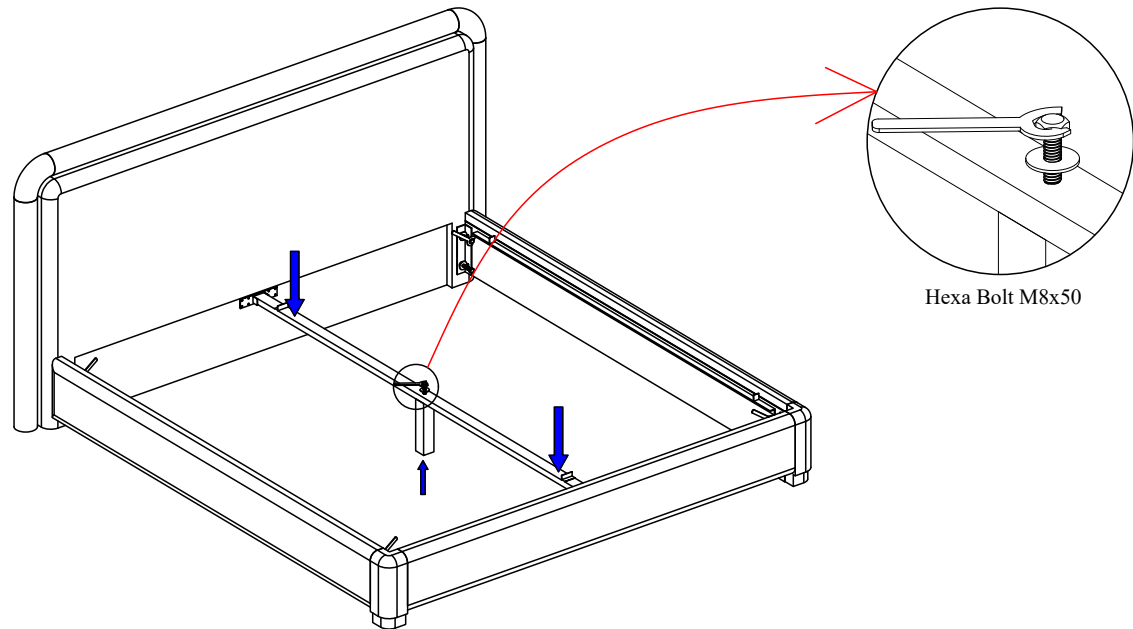
(A) Headboard ,1x 	(B) Footboard ,1x 
(C) Siderail ,1x 	(D) Top ,1x 
(E) Slates ,1x 	(F) Center Leg ,1x 
(G) Hexa Bolt ,9x 25X8 	(H) Hexa bolt ,1x 50X8 
(I) Washer ,9x (8mm) 	(J) Spanner,1x (13no) 

## Notes

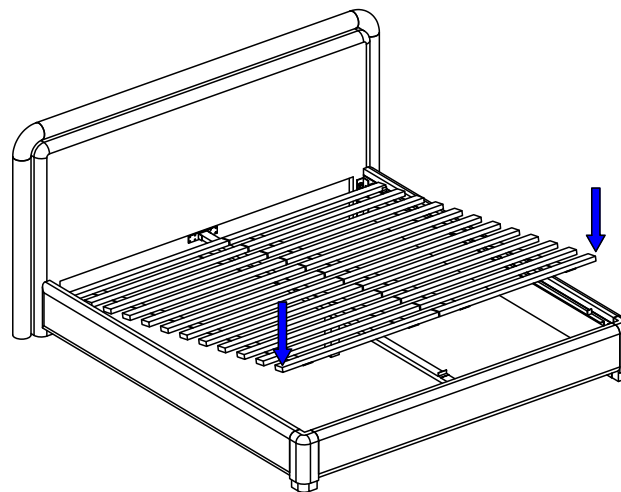
Thank you for purchasing this quality product!  
Be sure to check all packing material carefully  
for small part that may have come loose inside  
the carton during shipping.

**Caution:** The item is heavy, assembly  
should be performed by two people.

## Step 3



## Step 4



## Final

