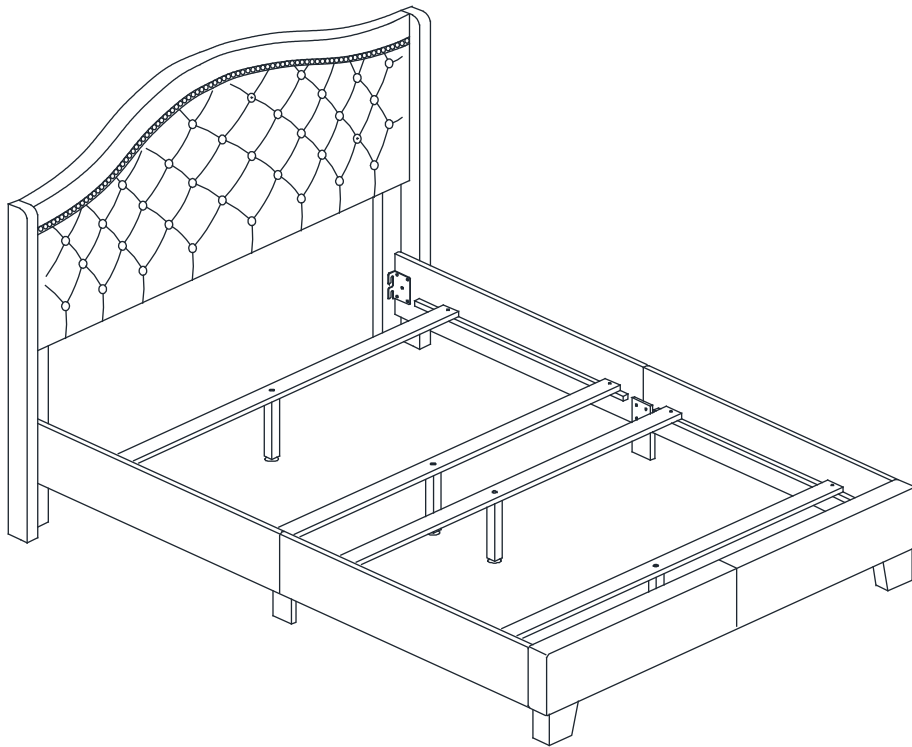


ASSEMBLY INSTRUCTIONS



Queen Bed

ASSEMBLY INSTRUCTIONS

ASSEMBLY TIPS:

1. Remove hardware from box and sort by size.
2. Please check to see that all hardware and parts are present prior to start of assembly.
3. Please follow attached instructions in the same sequence as numbered to assure fast & easy assembly.



WARNING!


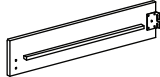

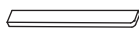


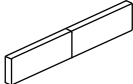



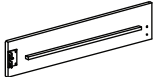

1. Don't attempt to repair or modify parts that are broken or defective. Please contact the store immediately.
2. This product is for home use only and not intended for commercial establishments.



ASSEMBLY TIME

20 MINUTES

PARTS IDENTIFICATION

A	HEADBOARD PANEL		1PC	G	BED RAIL (WITH "G" LABEL)		2PCS
B	LEFT HEADBOARD LEG (WITH "L" LABEL)		1PC	H	LEFT EAR		1PC
C	RIGHT HEADBOARD LEG (WITH "R" LABEL)		1PC	I	RIGHT EAR		1PC
D	FOOTBOARD PANEL		1PC	J	BED RAIL SUPPORT LEG		2PCS
E	FOOTBOARD LEG		2PCS	K	BED SLAT		4PCS
F	BED RAIL (WITH "F" LABEL)		2PCS	L	BED SLAT SUPPORT WITH LEVELER		4PCS

NOTE:

Phillips head screw driver is required in the assembly process; however, manufacturer does not provided this item.

ASSEMBLY INSTRUCTIONS

ASSEMBLY TIPS:




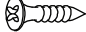
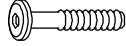
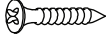
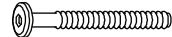




1. Remove hardware from box and sort by size.
2. Please check to see that all hardware and parts are present prior to start of assembly.
3. Please follow attached instructions in the same sequence as numbered to assure fast & easy assembly.



WARNING!

1. Don't attempt to repair or modify parts that are broken or defective. Please contact the store immediately.
2. This product is for home use only and not intended for commercial establishments.

HARDWARE IDENTIFICATION

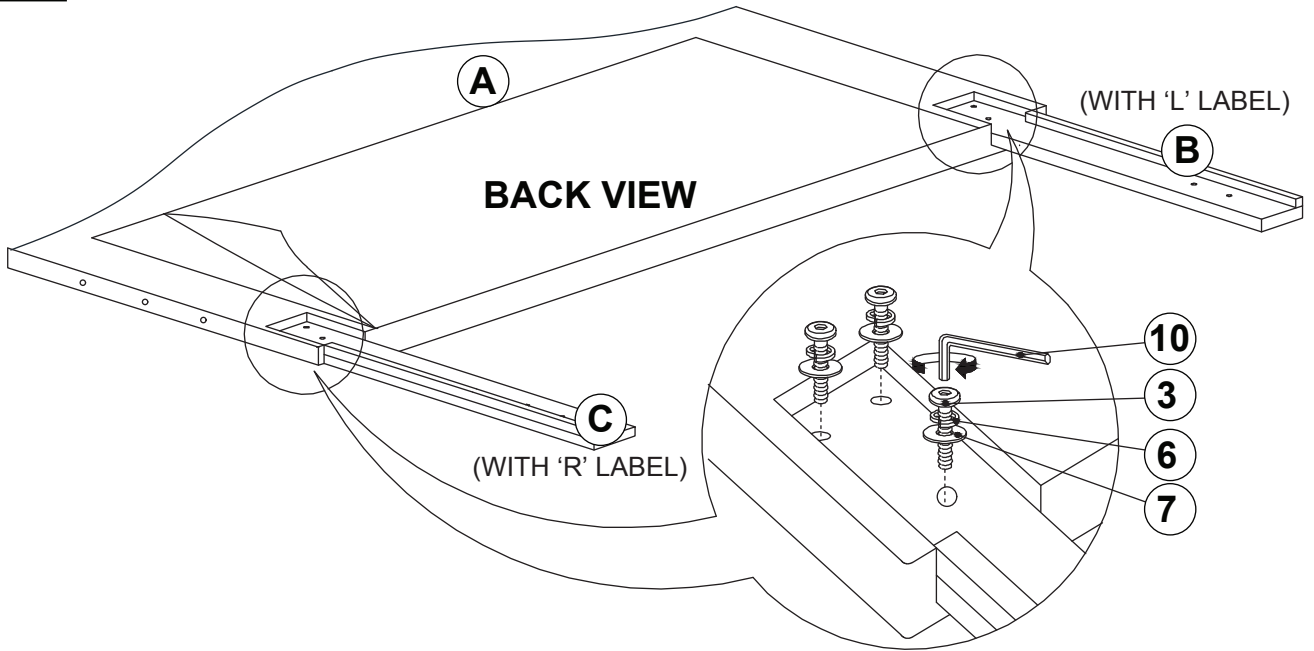
1	BOLT 1 (M8 x 20mm - RBW)		8PCS	7	FLAT WASHER (1/4" X 19 Ø - RBW)		20PCS
2	BOLT 2 (M6 x 25mm - RBW)		8PCS	8	FLAT HEAD SCREW (M4 x 32mm - RBW)		8PCS
3	BOLT 3 (M6 x 35mm - RBW)		16PCS	9	FLAT HEAD SCREW (M4 x 38mm - RBW)		4PCS
4	BOLT 4 (M6 x 70mm - RBW)		2PCS	10	SMALL ALLEN WRENCH (M4 x 100mm - BLK)		1PC
5	WOOD DOWEL (M8Ø x 30mm)		2PCS	11	BIG ALLEN WRENCH (M5 x 65mm - BLK)		1PC
6	LOCK WASHER (1/4" X 12 Ø - RBW)		20PCS				

NOTE:

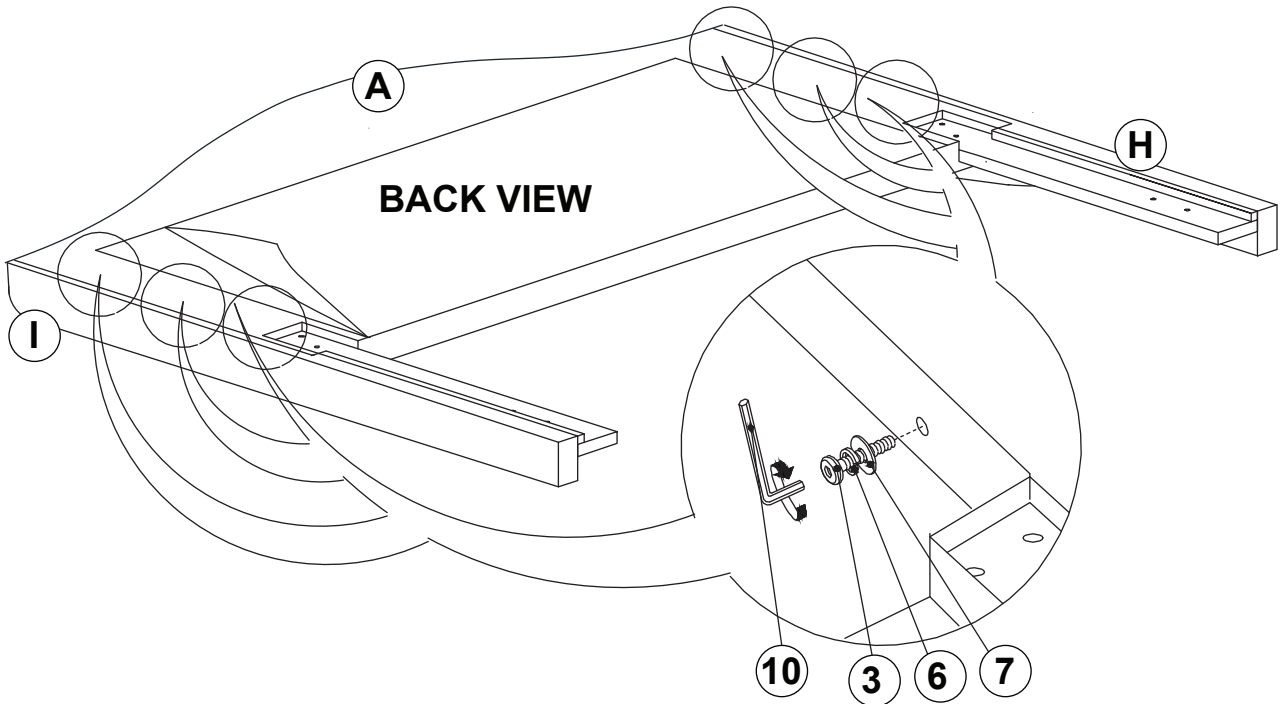
Phillips head screw driver is required in the assembly process; however, manufacturer does not provided this item.

ASSEMBLY INSTRUCTIONS

STEP 1

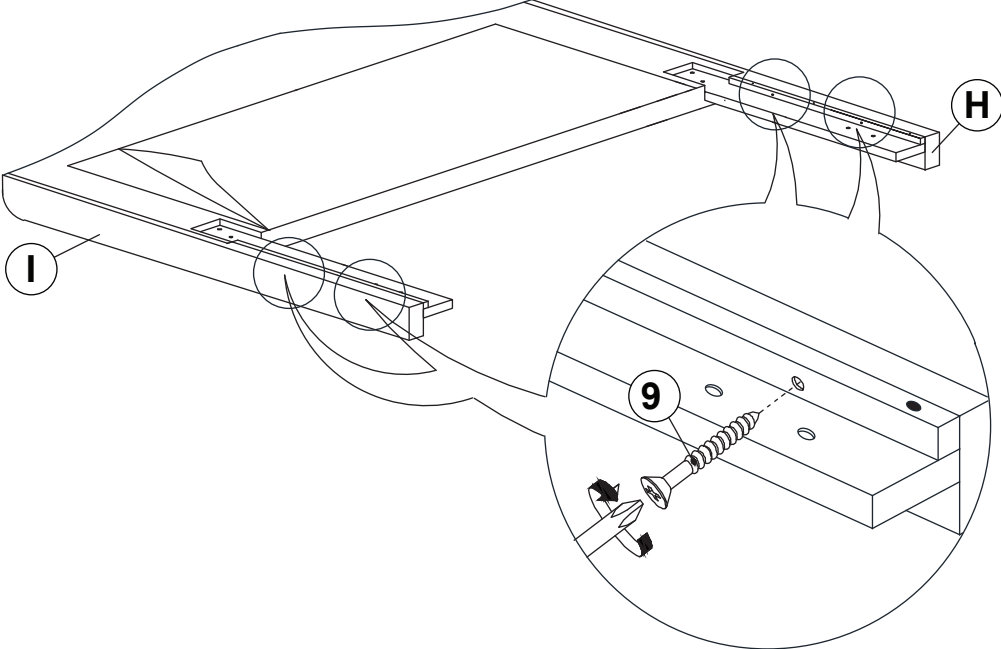


STEP 2

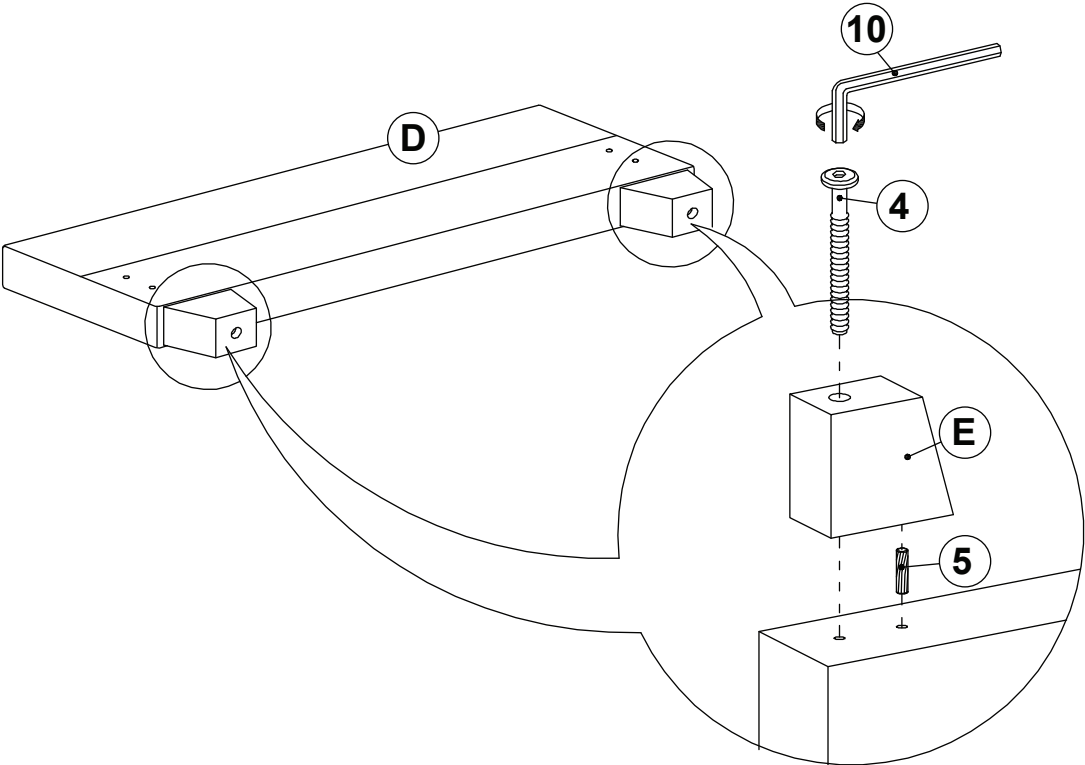


ASSEMBLY INSTRUCTIONS

STEP 3

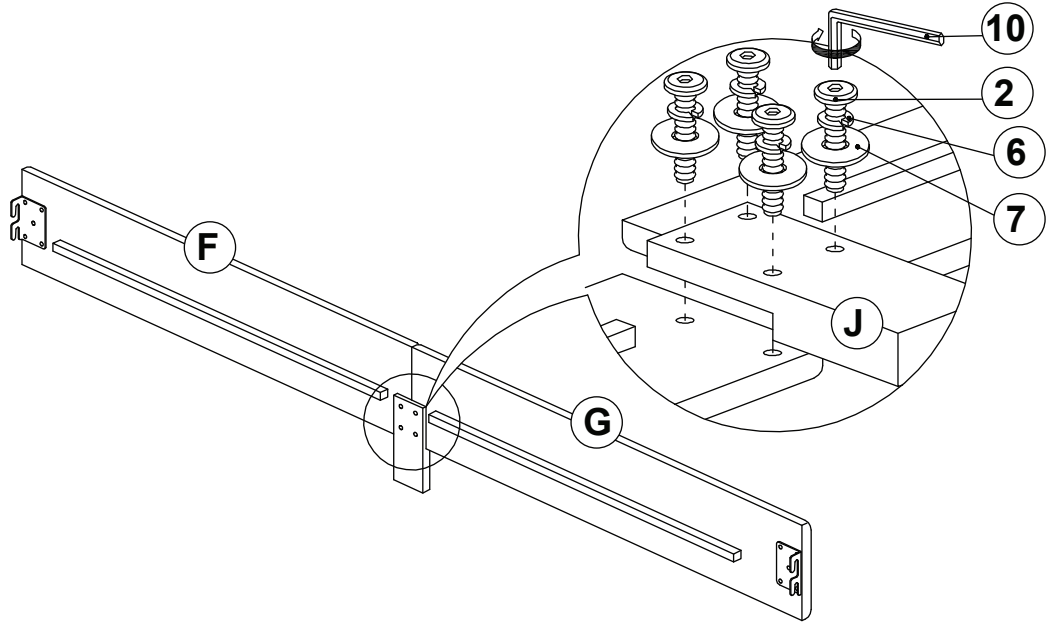


STEP 4

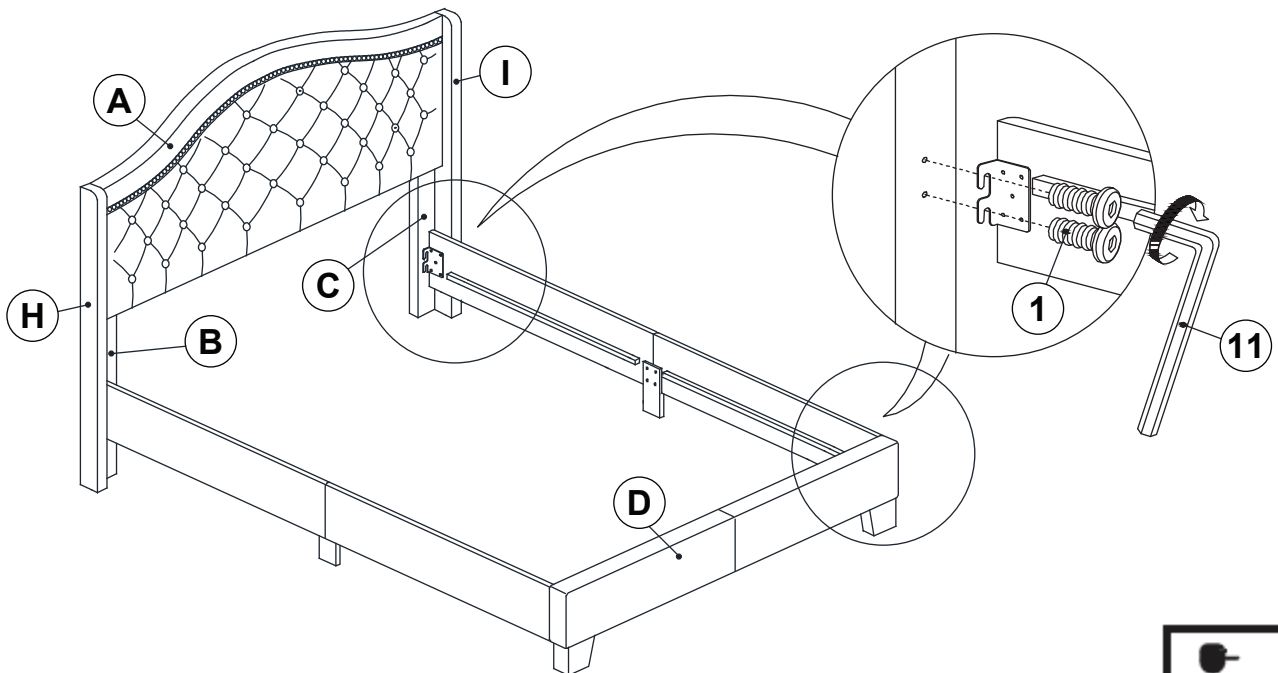


ASSEMBLY INSTRUCTIONS

STEP 5

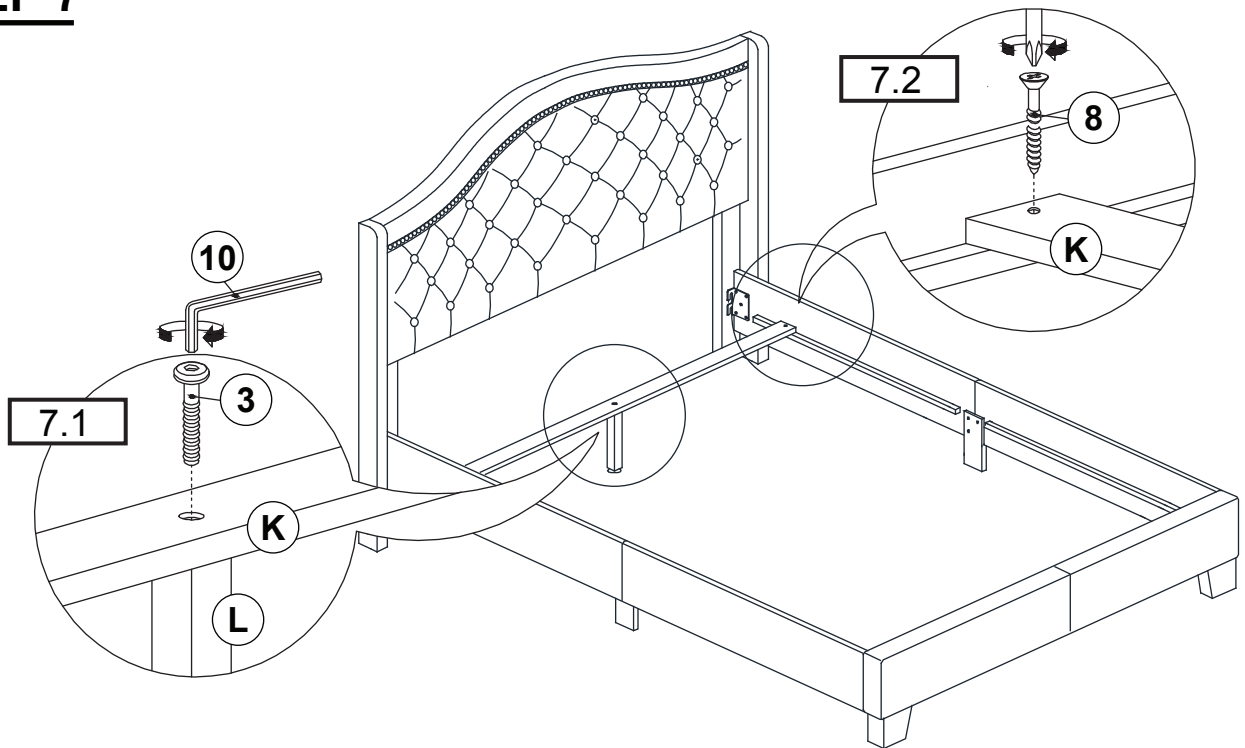


STEP 6



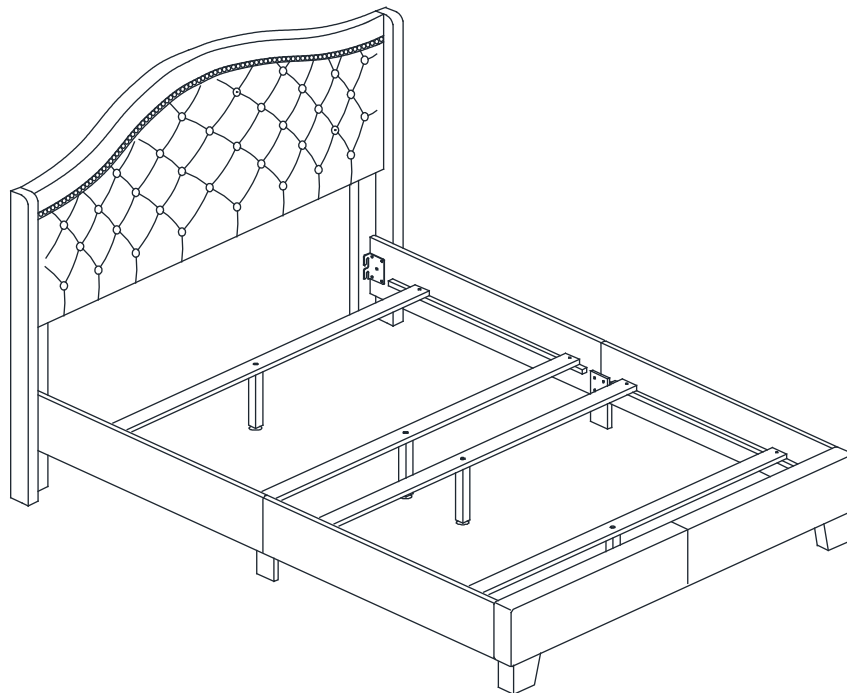
ASSEMBLY INSTRUCTIONS

STEP 7

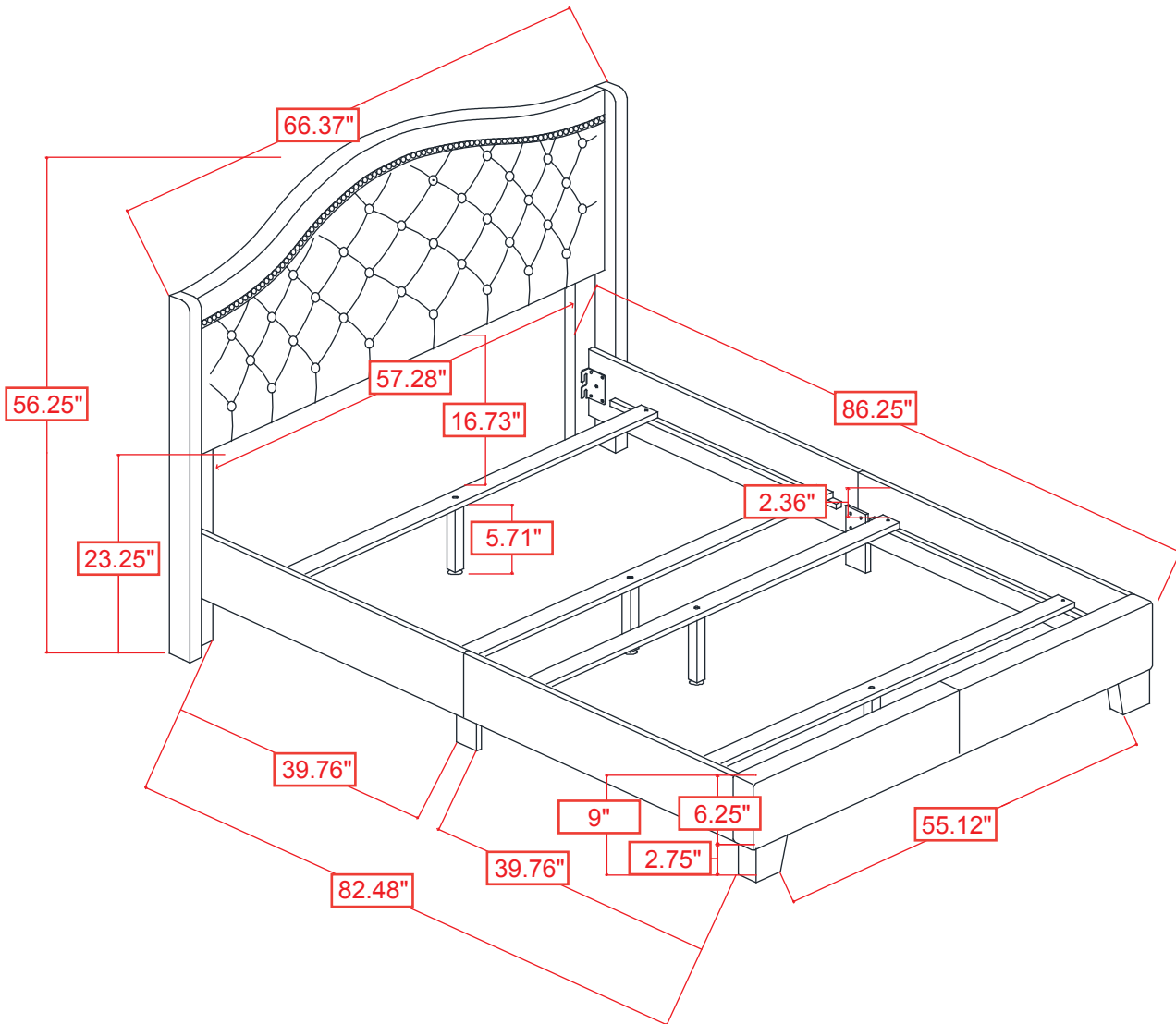


STEP 8

COMPLETE



INNER SIZE : 60.87" X 80.12"



Note: Dimension tolerance $\pm 5\%$