

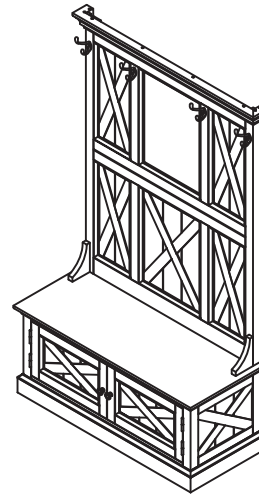
Hall Tree

IMPORTANT

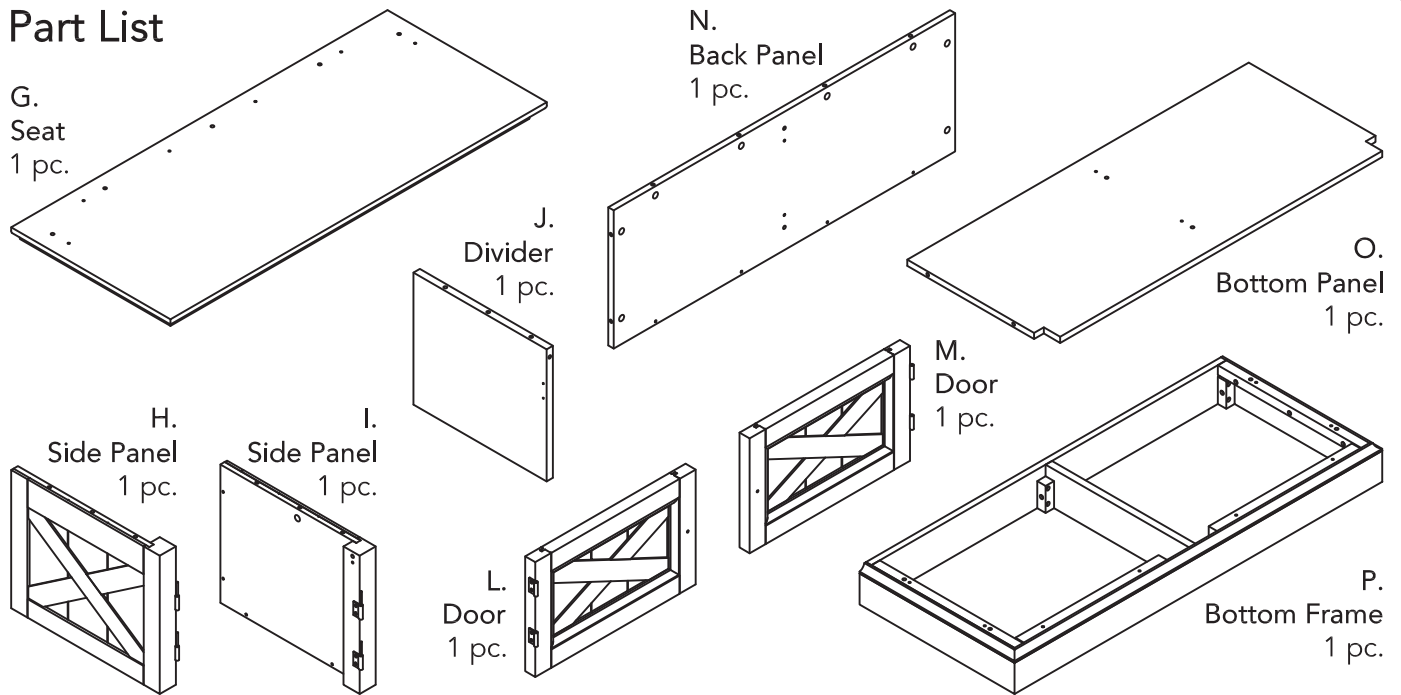
Carefully remove all the parts from the carton and place them individually on a soft cloth to prevent scratches or other damage.

Carefully and strictly follow these assembly instructions to ensure a completed product as designed.

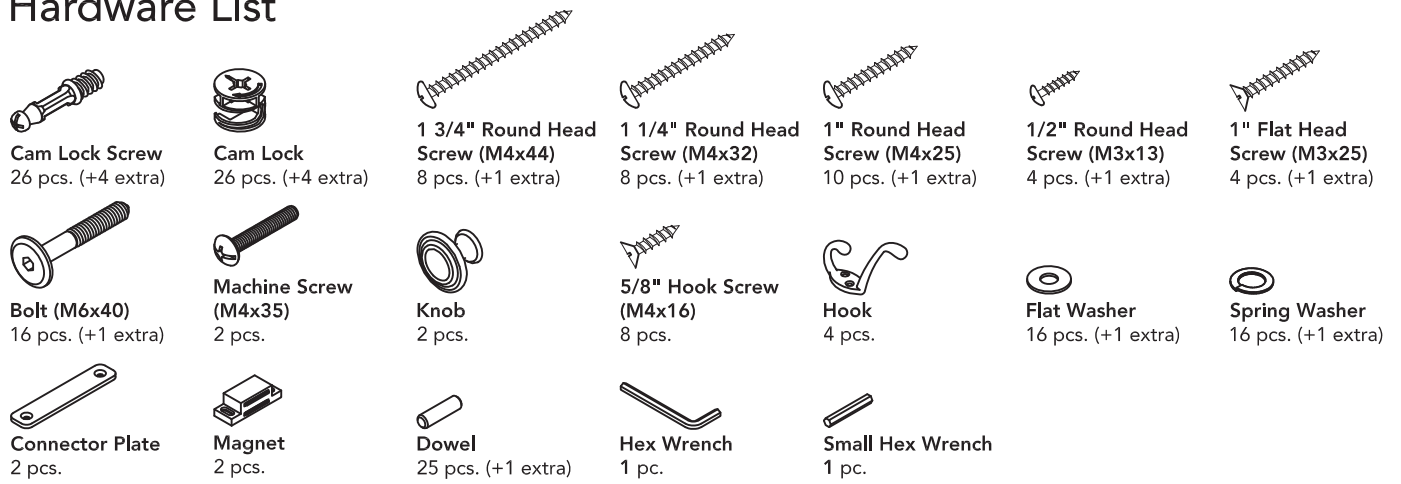
Do not use power tools above 8 volts to assemble.



Part List



Hardware List



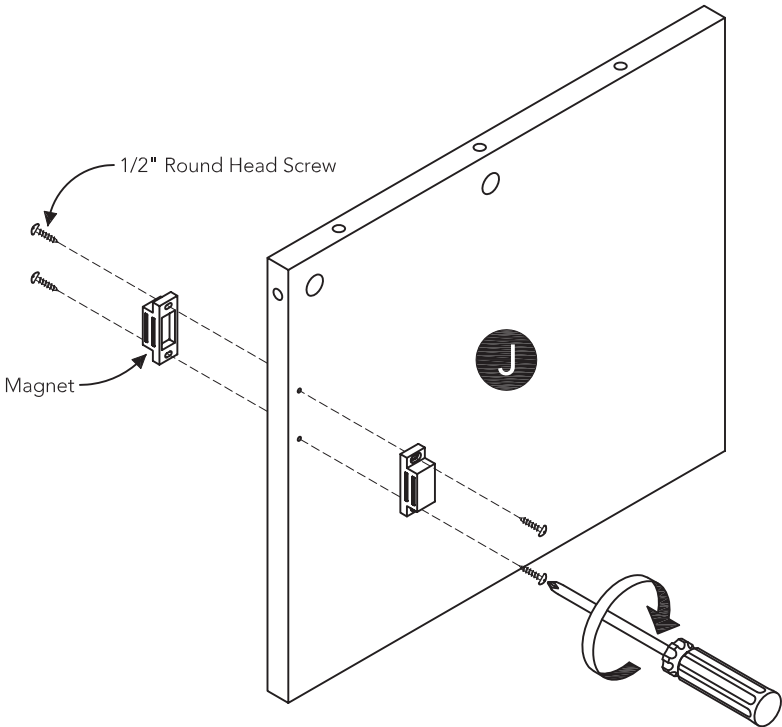
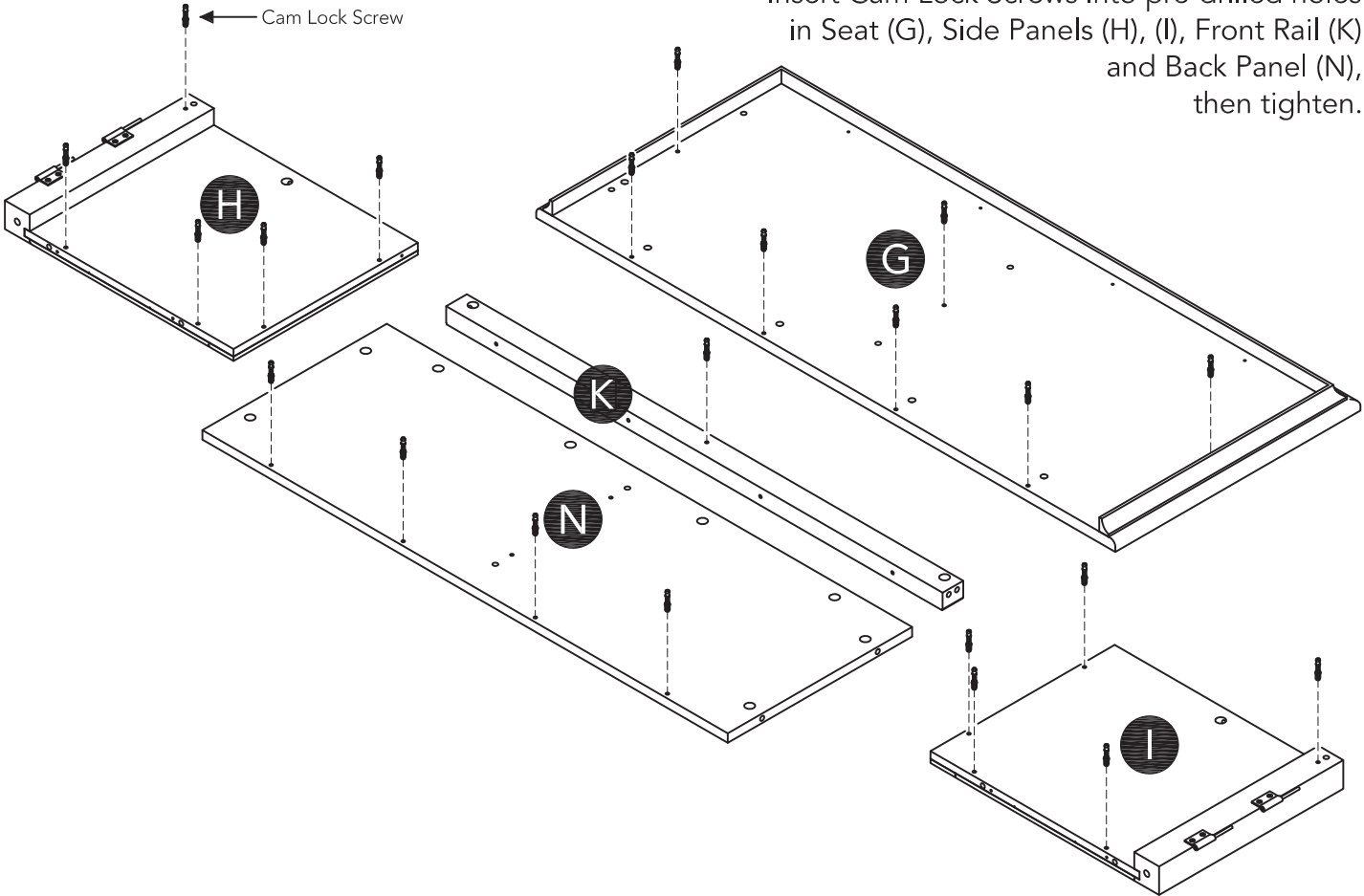
Assembly Instructions 2/10

IMPORTANT

- Use a soft cloth between these parts and the floor.
- Do not use power tools above 8 volts to assemble.
- Do not tighten all the bolts until each part is properly assembled.
- The unit must be level to work properly. Use the included adjustable levelers to level.
- Keep Hex Wrench as the Bolts may need to be tightened in the future.

STEP 1

Insert Cam Lock Screws into pre-drilled holes in Seat (G), Side Panels (H), (I), Front Rail (K) and Back Panel (N), then tighten.



STEP 2

Attach Magnets to Divider (J) with 1/2 Round Head Screws.

Assembly Instructions 3/10

STEP 3

Attach Divider (J) to Front Rail (K) with Cam Lock. (See Figure 1)

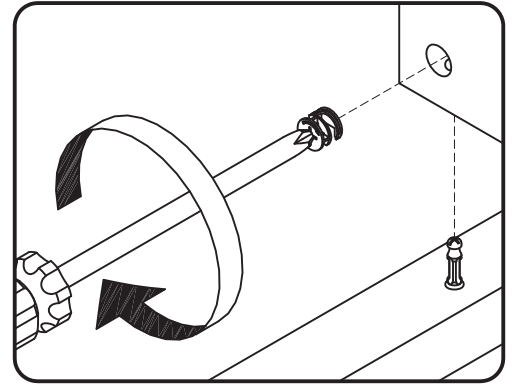
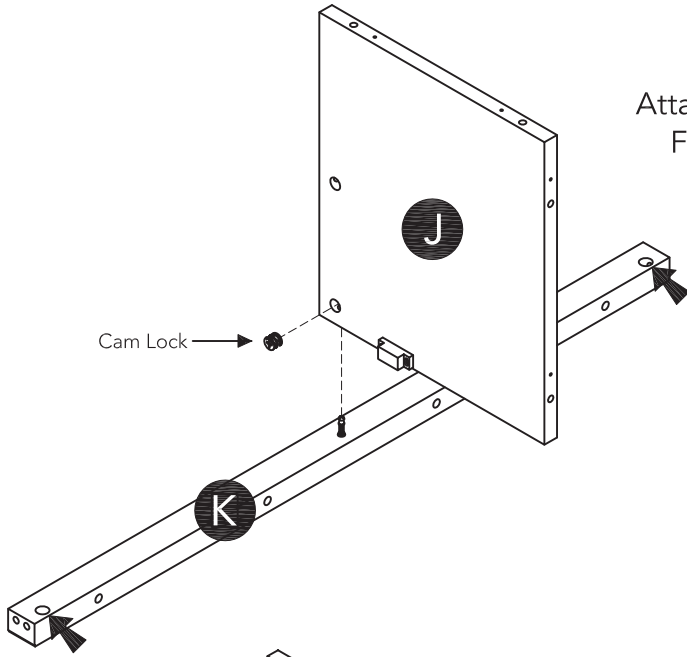
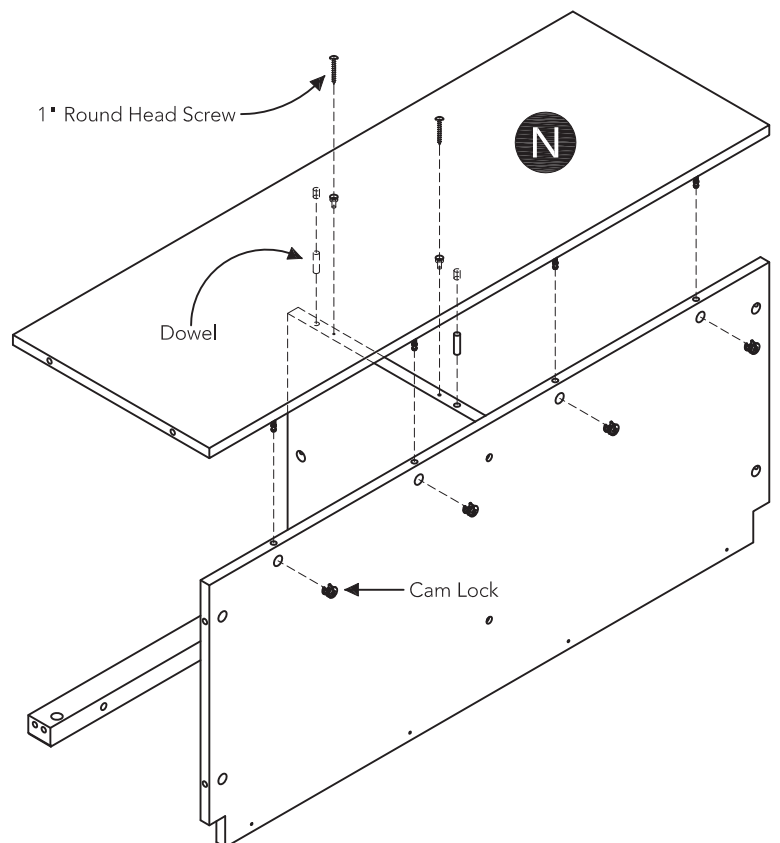
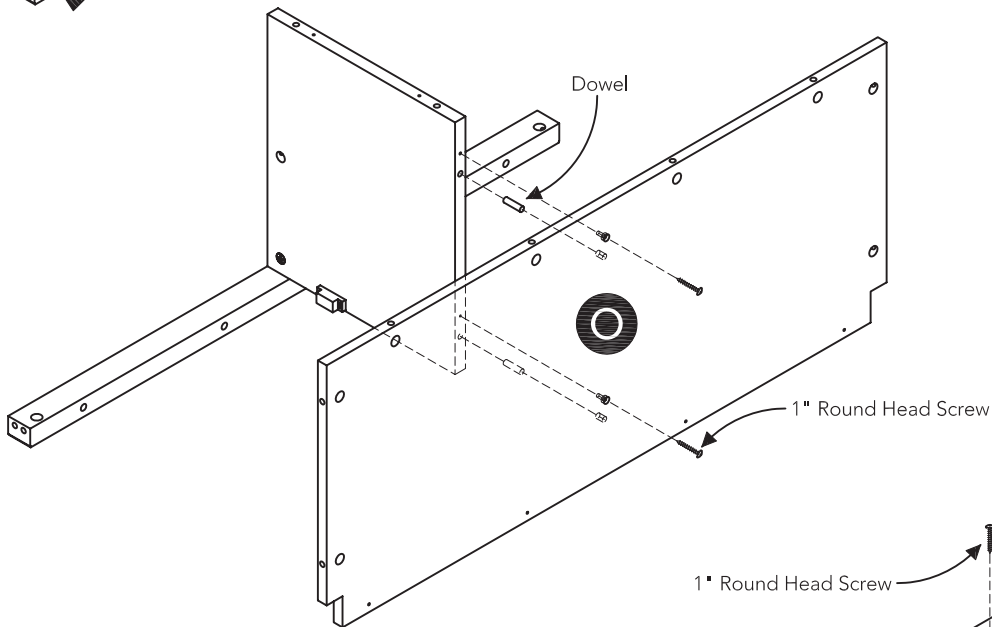


Figure 1

STEP 4

Attach Bottom Panel (O) to unit with Dowels and 1" Round Head Screws.

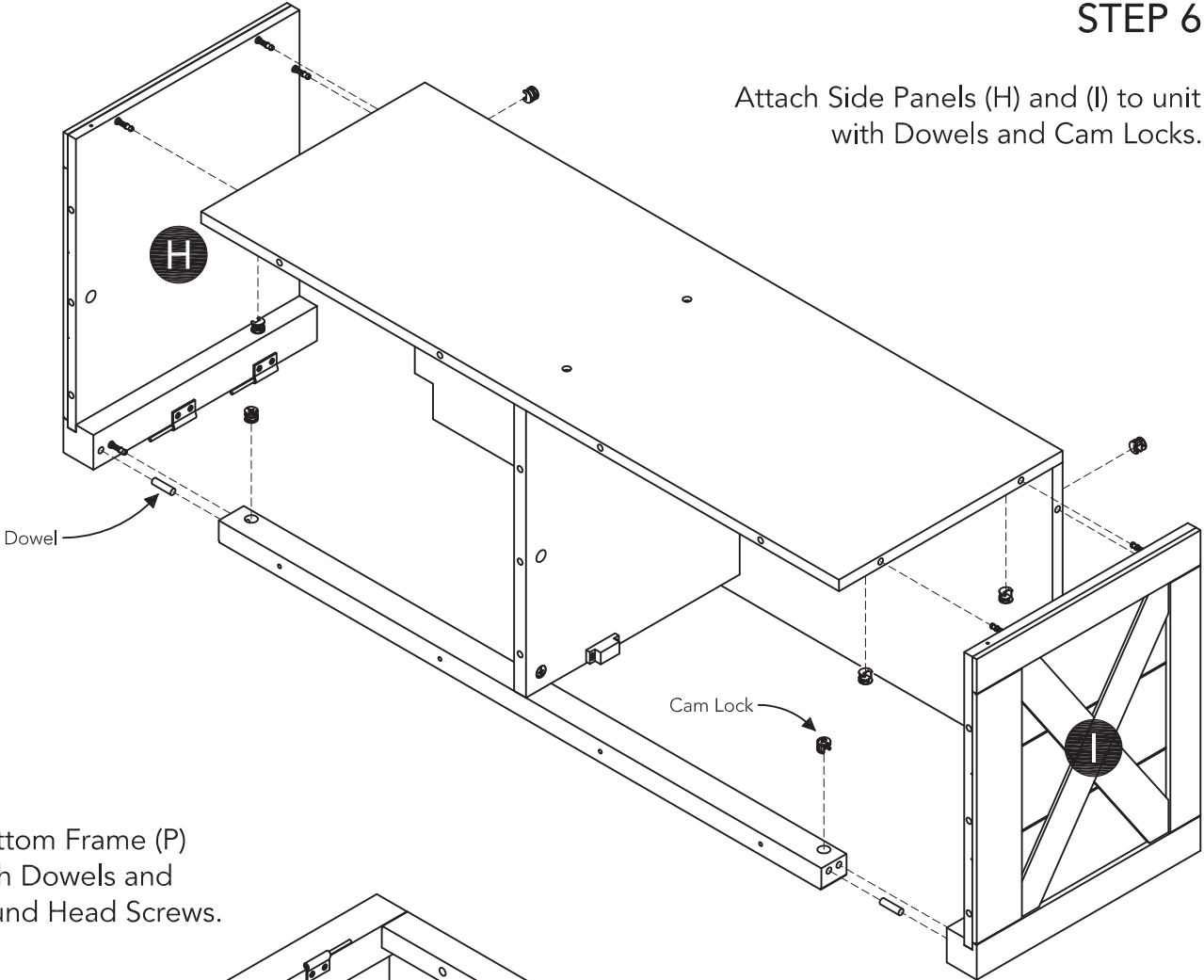


STEP 5

Attach Back Panel (N) to unit with Dowels, Cam Locks and 1" Round Head Screws.

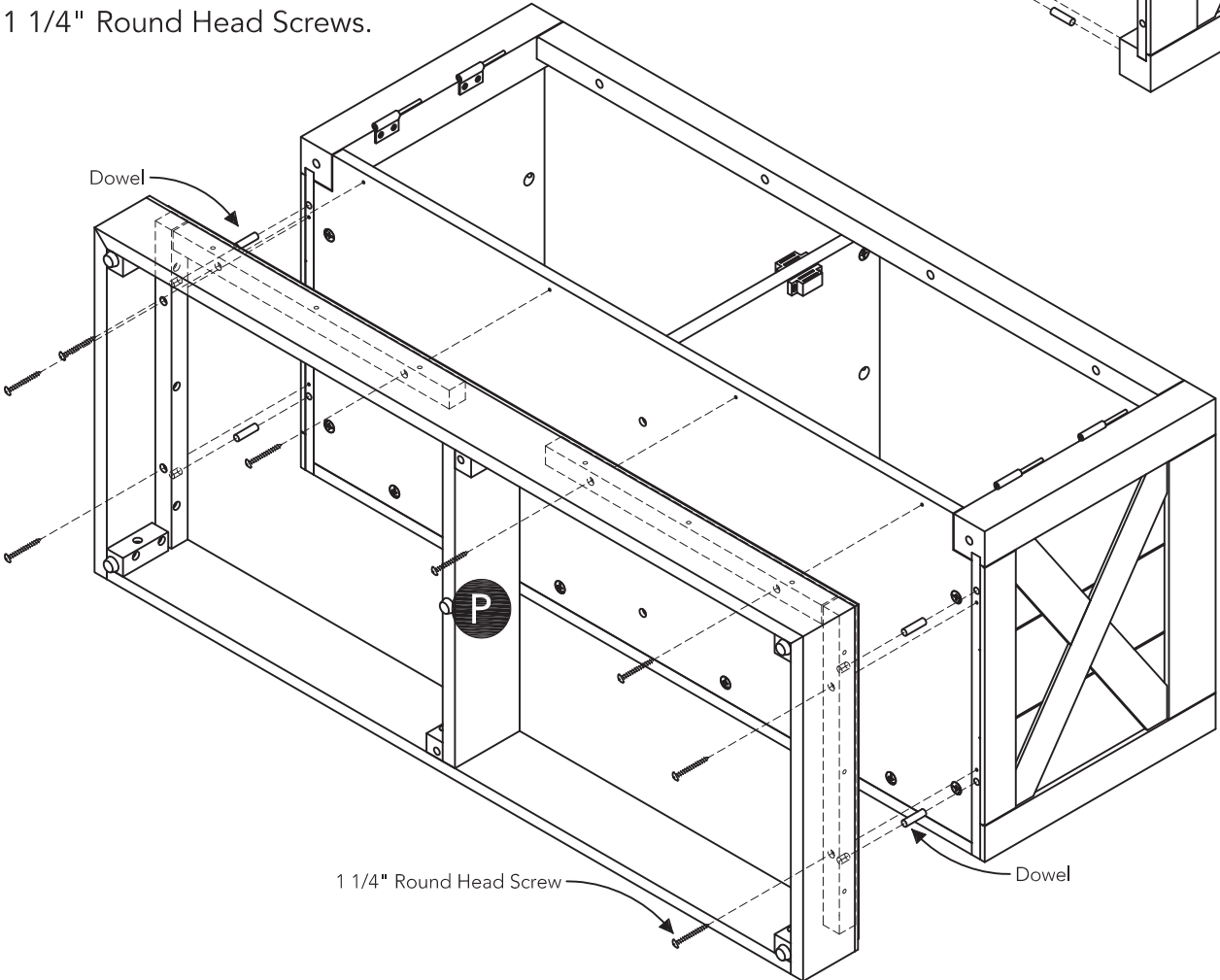
STEP 6

Attach Side Panels (H) and (I) to unit with Dowels and Cam Locks.

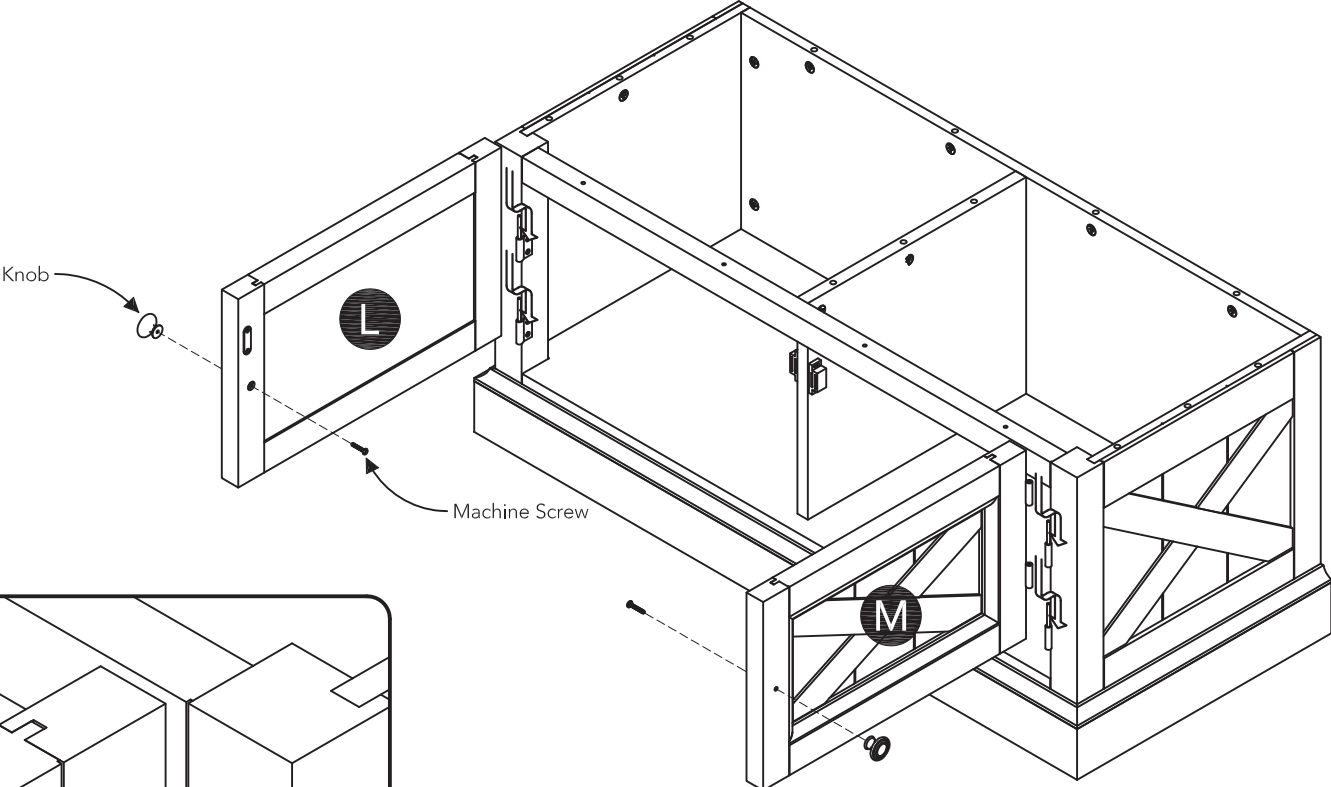


STEP 7

Attach Bottom Frame (P) to unit with Dowels and 1 1/4" Round Head Screws.



Assembly Instructions 5/10



STEP 8

Attach Doors (L) and (M) by sliding door hinges into side panel hinges. (See Figure 2)

Attach Knobs to Doors (L) and (M) with Machine Screws.

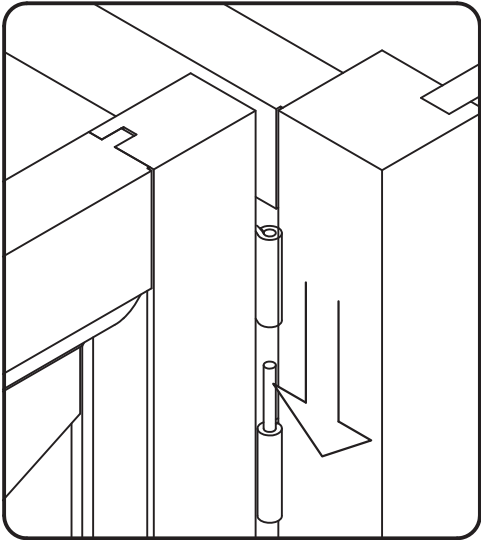
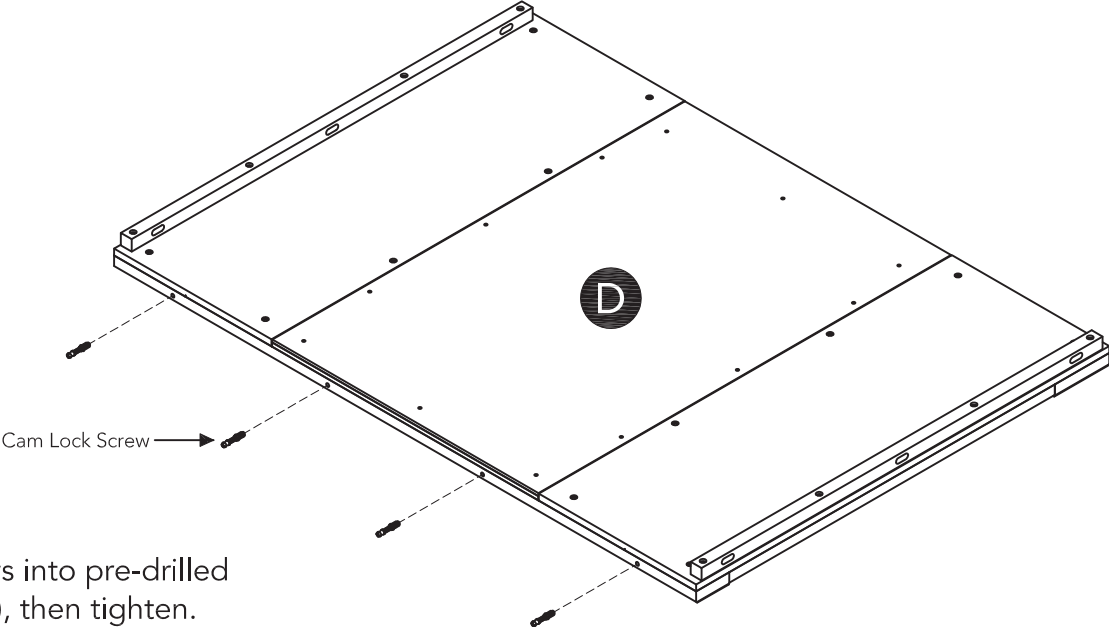


Figure 2



STEP 9

Insert Cam Lock Screws into pre-drilled holes in Back Panel (D), then tighten.

Assembly Instructions 6/10

STEP 10

Attach Back Panel (D) to Back Panel (E) with Cam Locks.

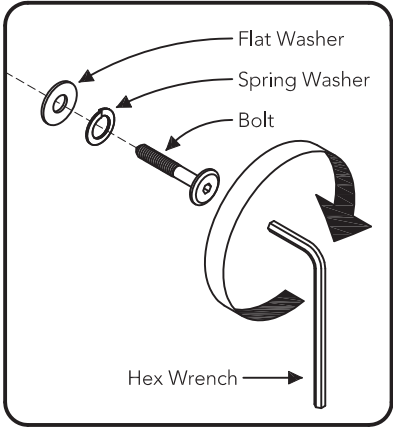
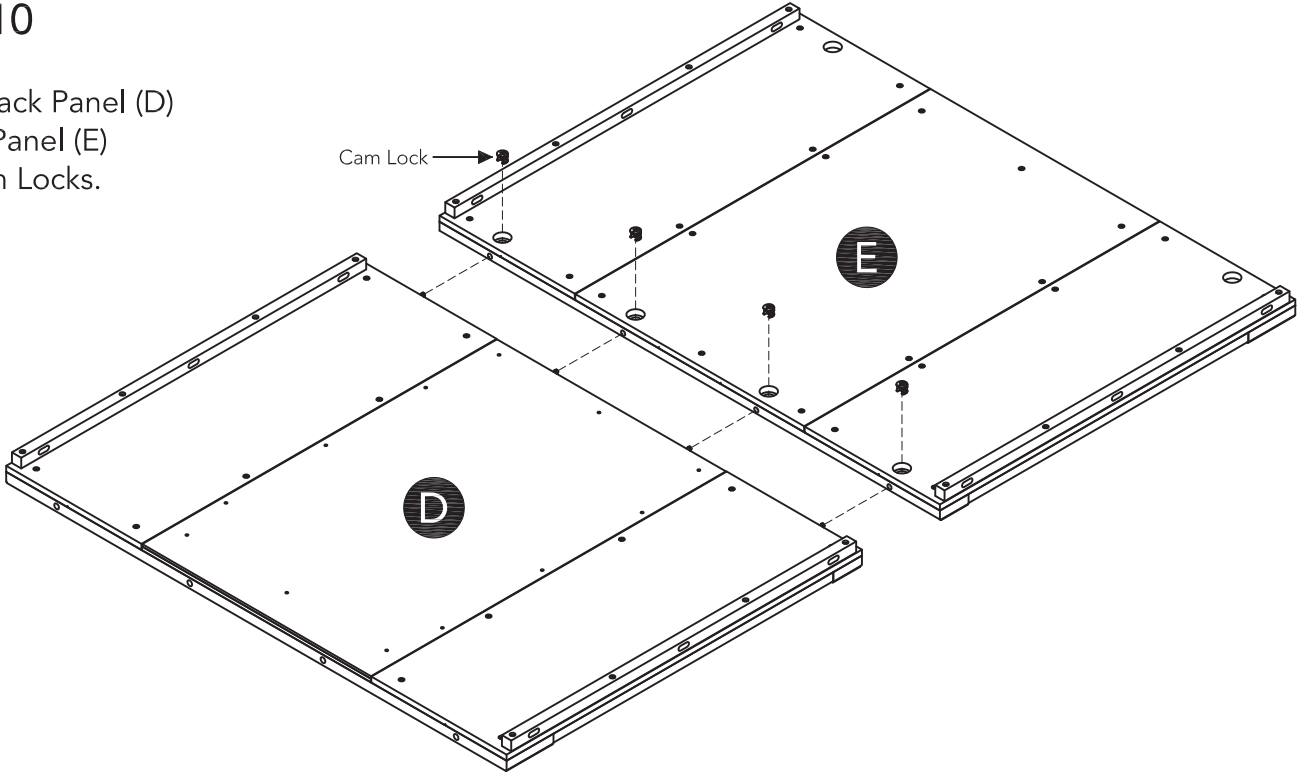
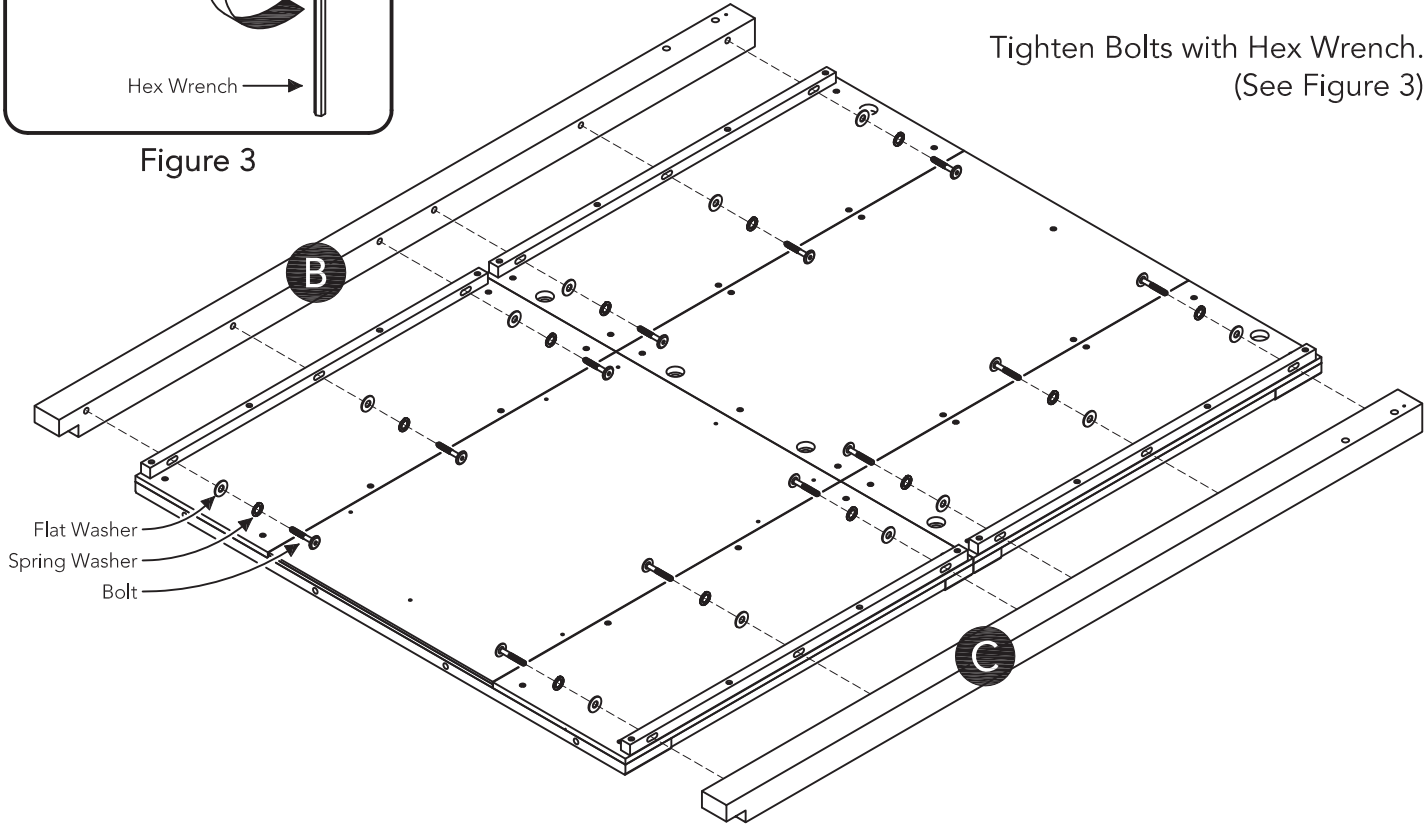


Figure 3

STEP 11

Attach Posts (B) and (C) to unit with Flat Washers, Spring Washers and Bolts.

Tighten Bolts with Hex Wrench.
(See Figure 3)



Assembly Instructions 7/10

STEP 12

Attach Crown (A) to unit with Flat Washers, Spring Washers and Bolts.

Tighten Bolts with Hex Wrench.

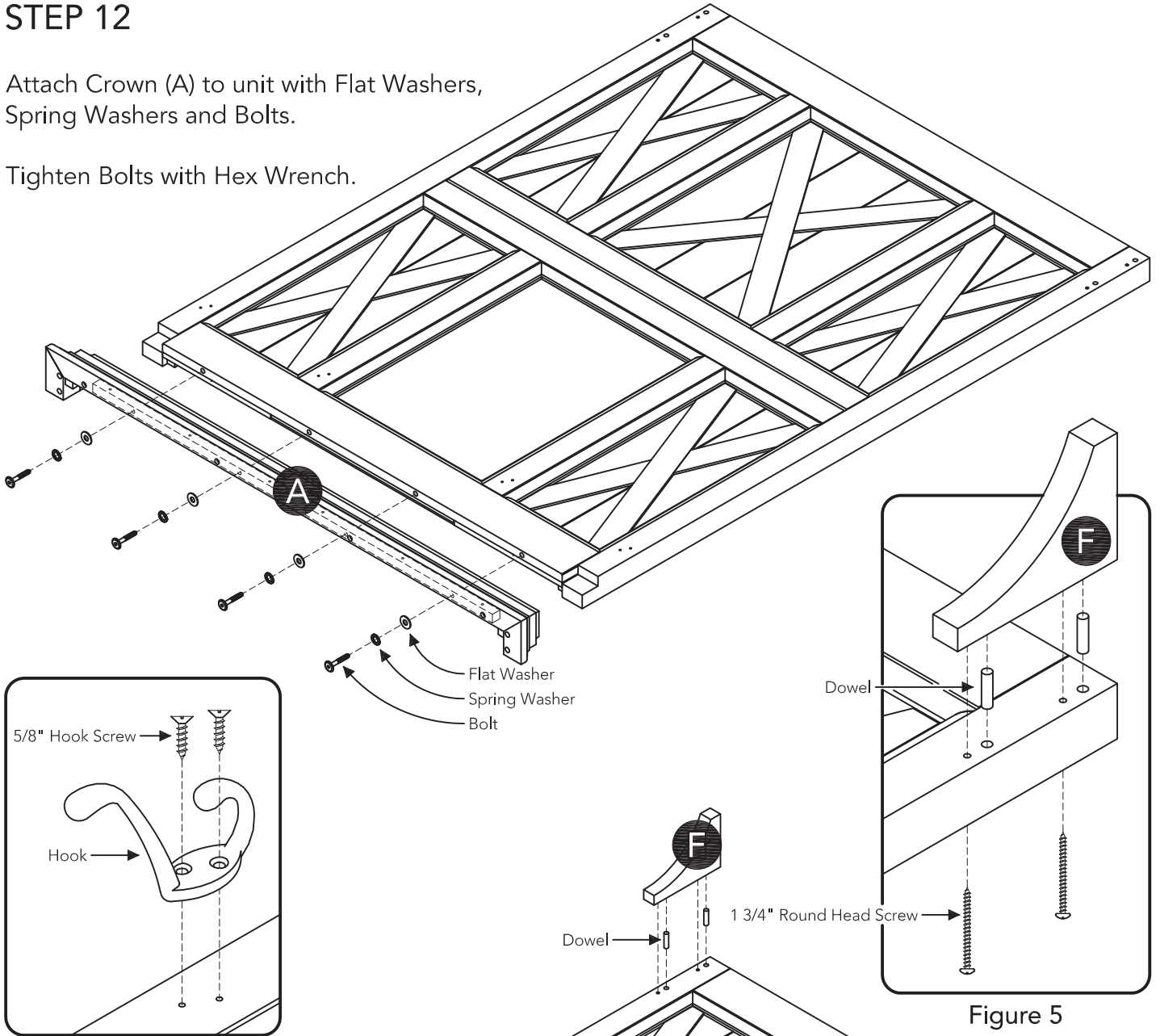


Figure 4

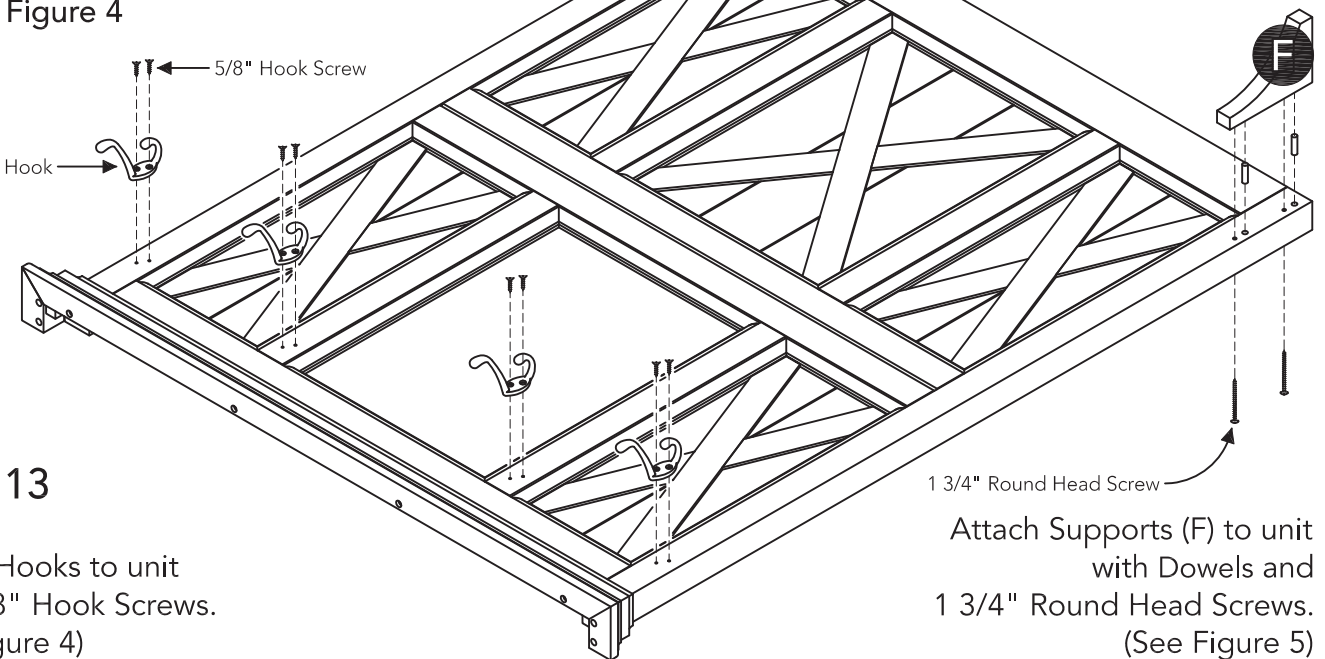
Figure 5

STEP 13

Attach Hooks to unit with 5/8" Hook Screws. (See Figure 4)

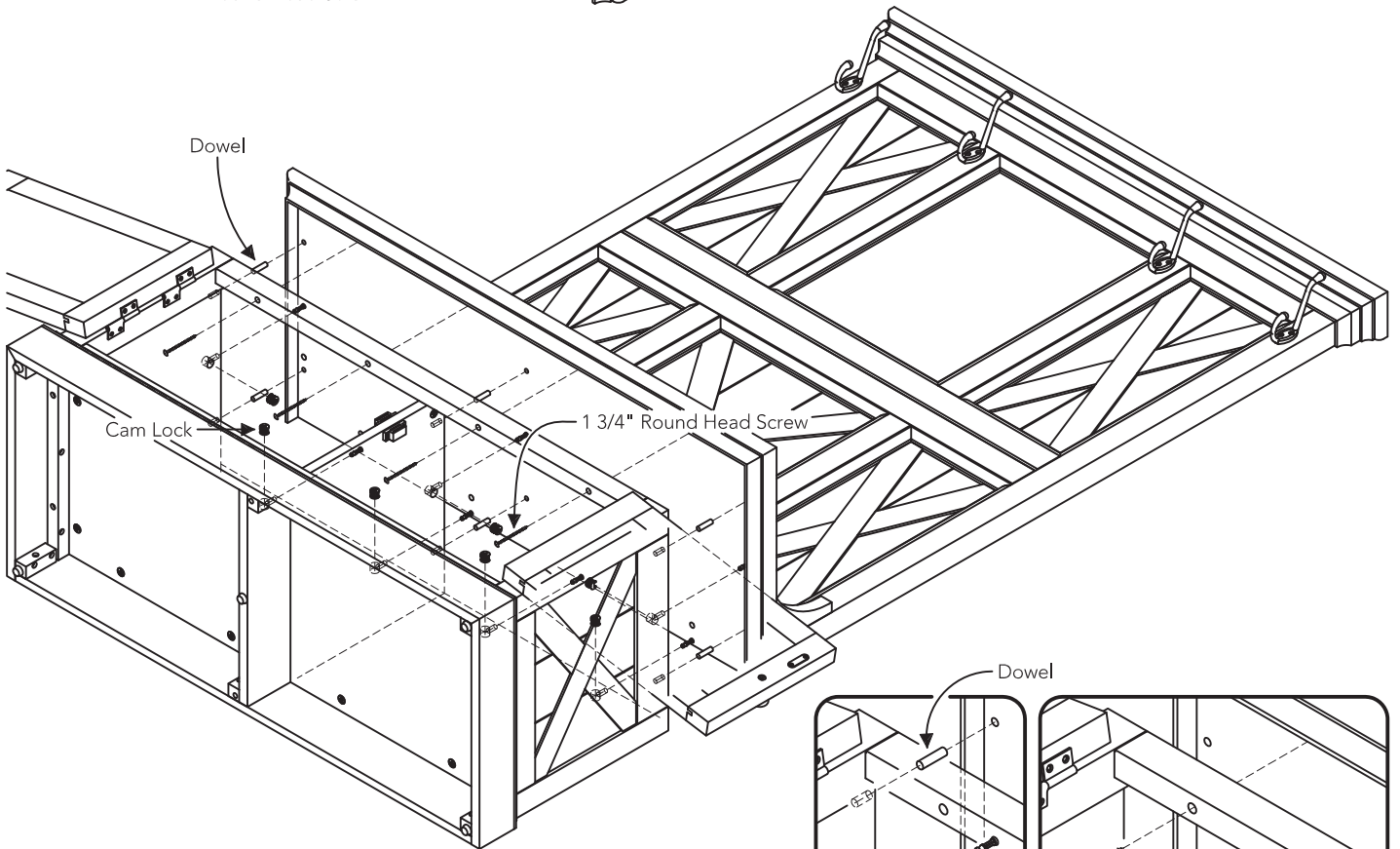
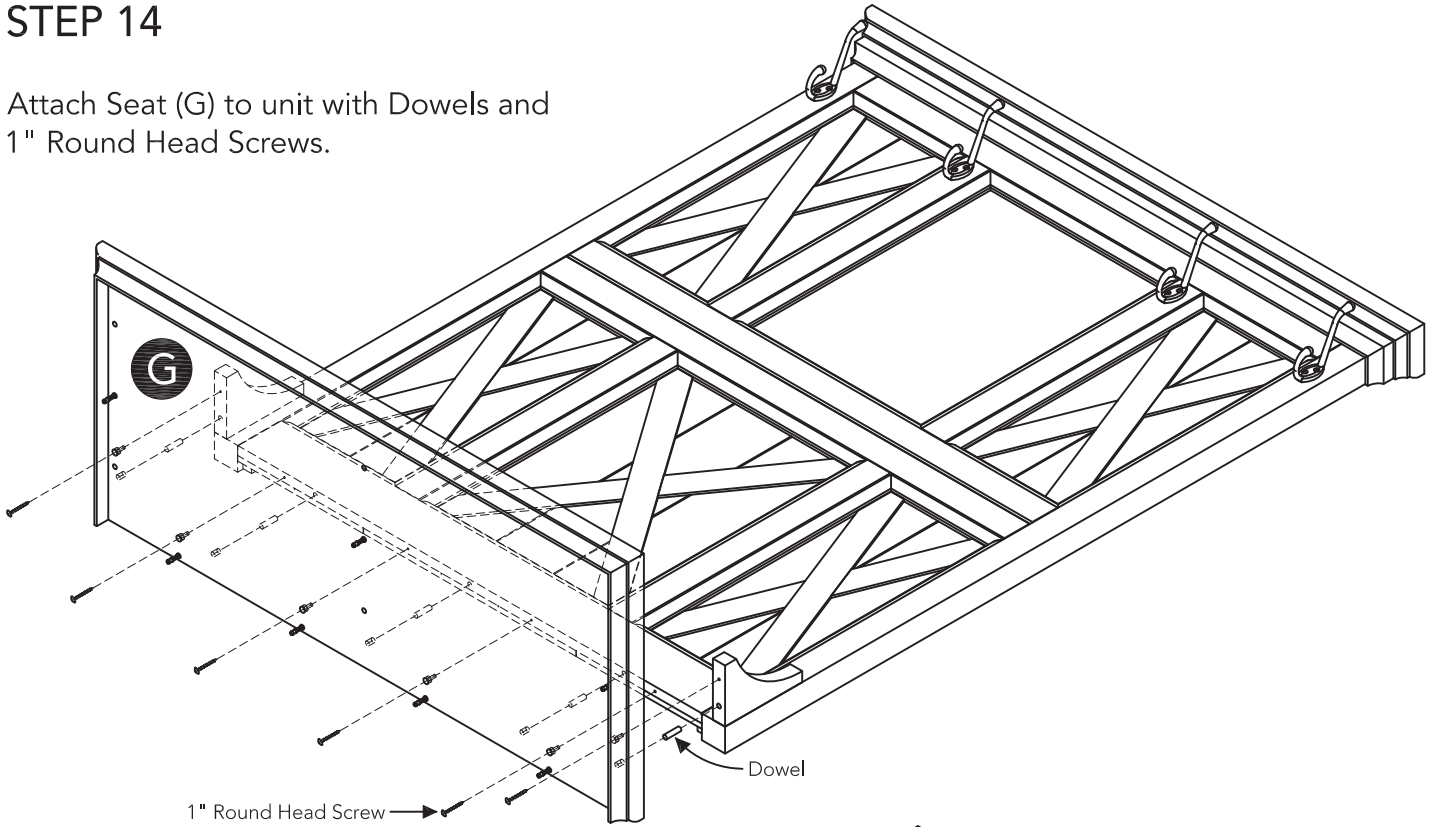
1 3/4" Round Head Screw

Attach Supports (F) to unit with Dowels and 1 3/4" Round Head Screws. (See Figure 5)



STEP 14

Attach Seat (G) to unit with Dowels and 1" Round Head Screws.



STEP 15

Attach unit from Step 8 to unit from Step 14 with Cam Locks, Dowels and 1 3/4" Round Head Screws.
(See Figure 6)

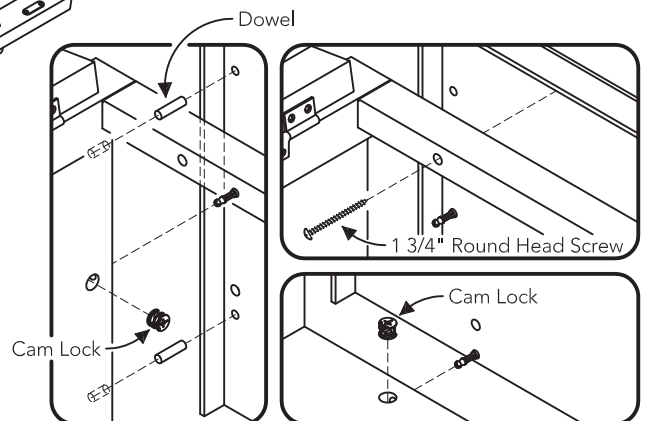


Figure 6

STEP 16

Turn unit to its' upright position.

Attach Connector Plates to unit with 1" Flat Head Screws.
(See Figure 7)

Level unit by adjusting the adjustable levelers on bottom of unit.
(See Figure 8)

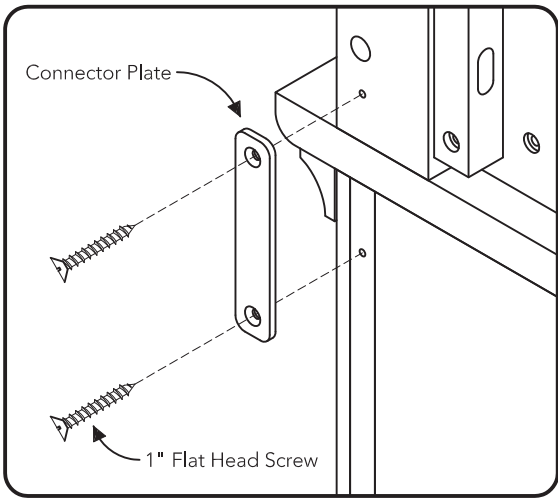


Figure 7

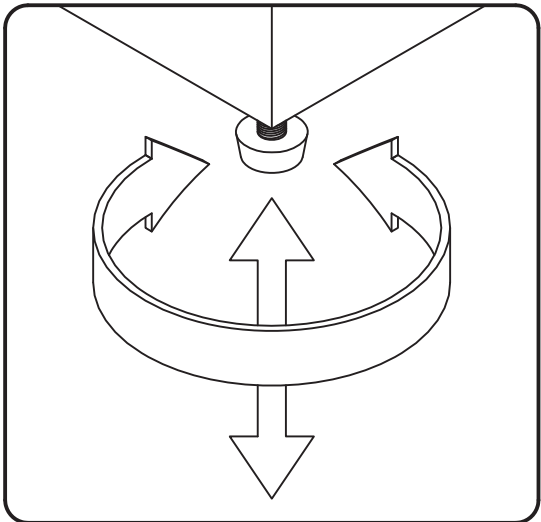
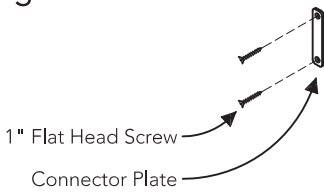
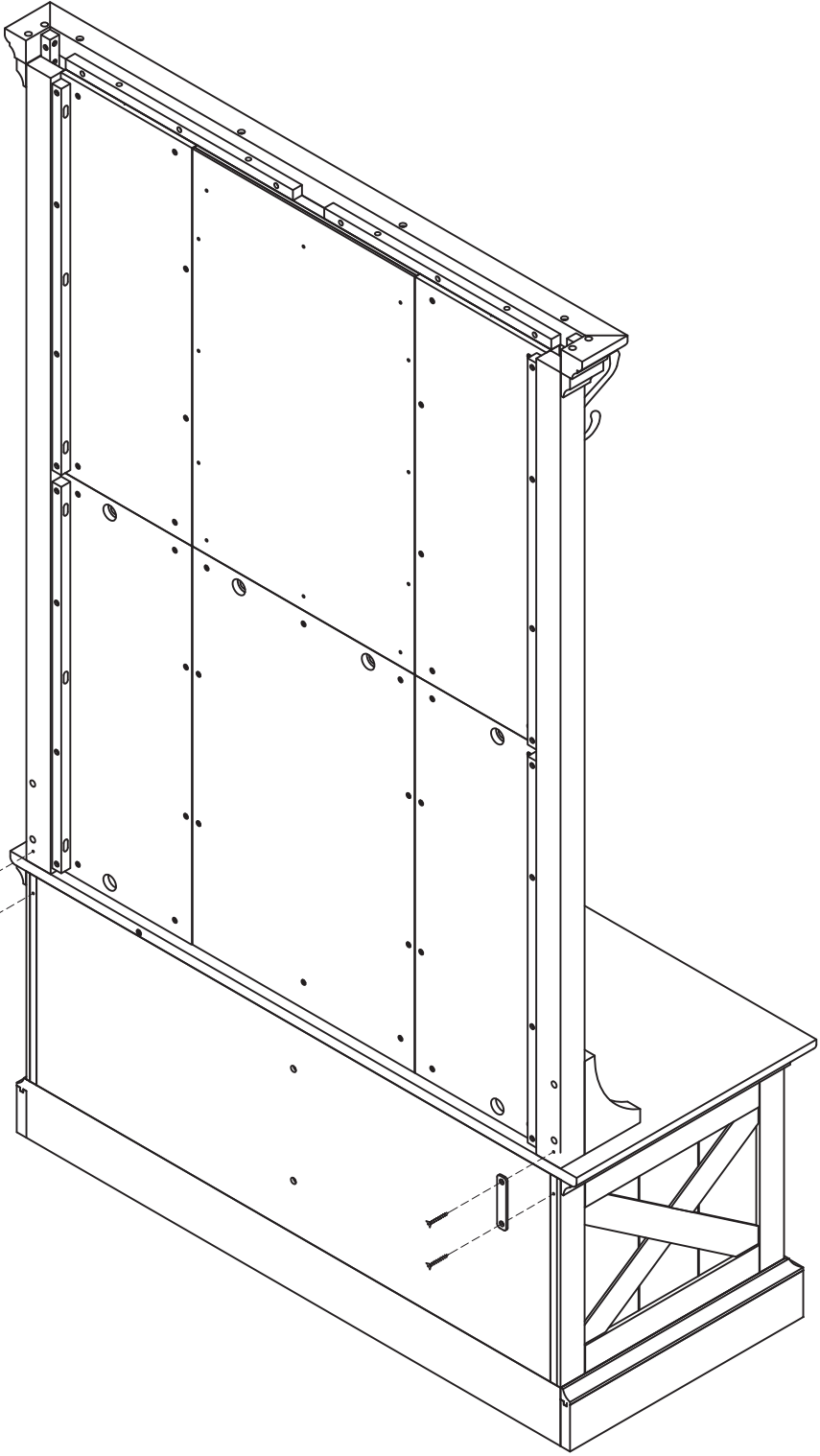


Figure 8



Assembly Instructions 10/10

IMPORTANT

- To help reduce the risk of the unit tipping over, the Tip-over Restraint must be installed following these instructions exactly.

STEP 17

Place unit at desired location.

Drill a 3/8" hole in wall in-line with pre-drilled hole at top of unit.

Move unit.

Insert Anchor into the wall hole and attach Bracket with Wall Screw.

Attach Bracket at pre-drilled hole at top of unit with Wood Screw.

Move unit back into place.

Slide Tip-over Restraint through Bracket on wall and Bracket on unit.

(See Figure 9)

Put tie end of Tip-over Restraint into lock end of Tip-over Restraint and pull until tight.

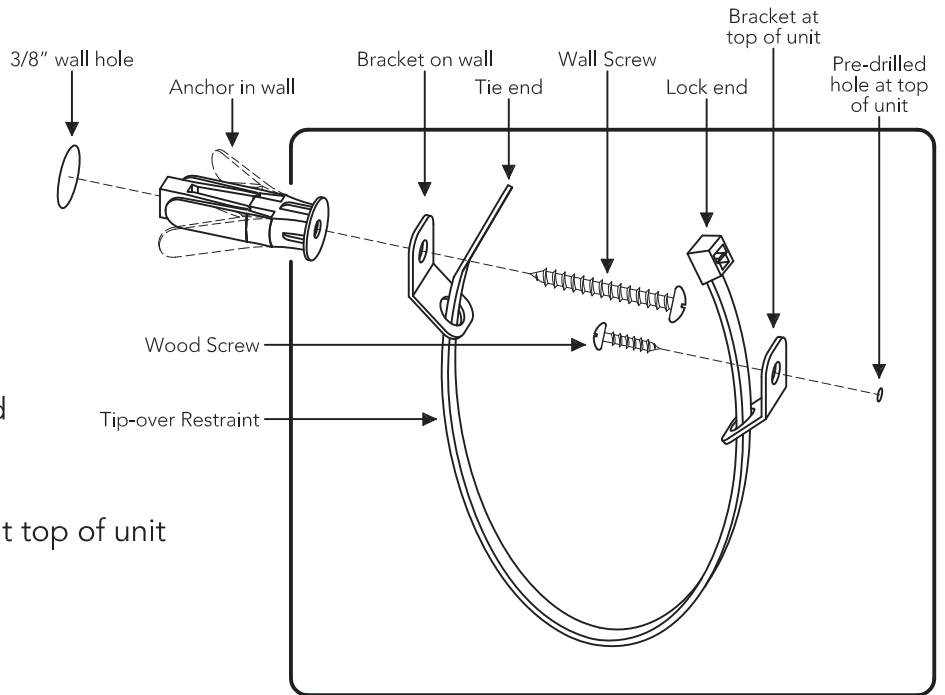
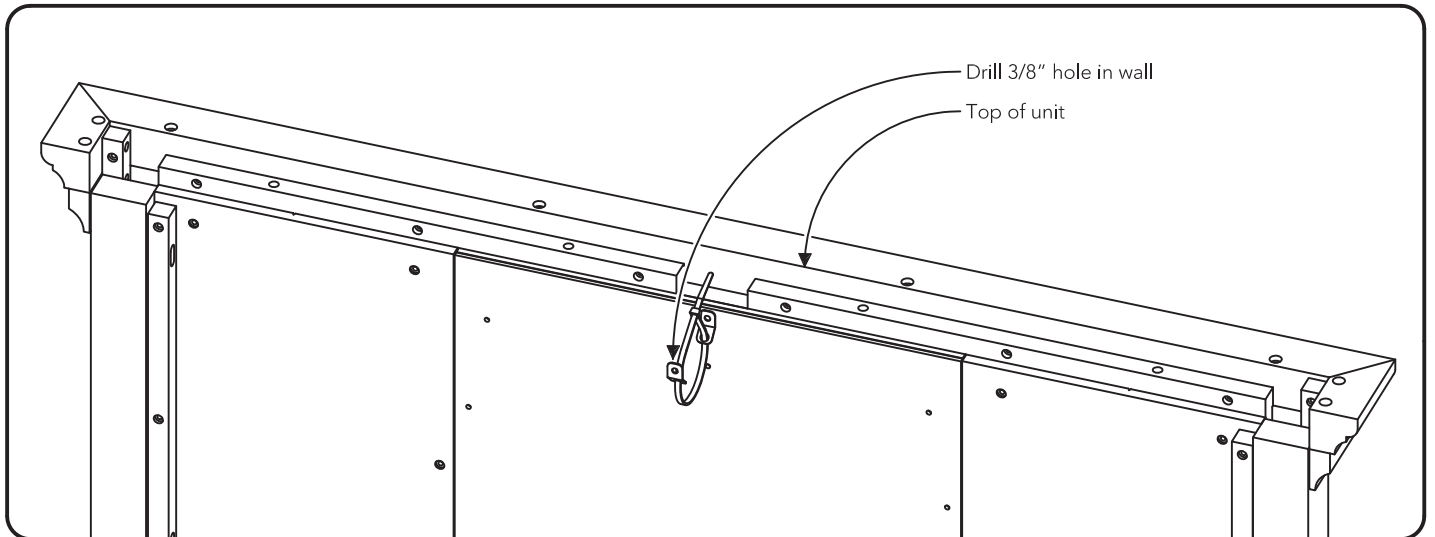
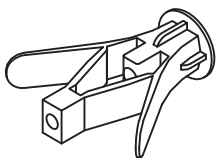


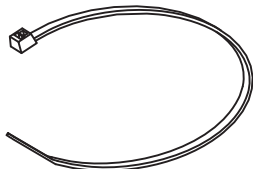
Figure 9



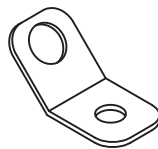
Hardware List



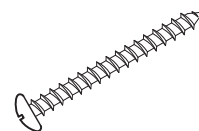
Anchor
1 pc. (+1 extra)



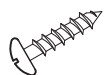
Tip-over Restraint
1 pc.



Bracket
2 pcs.



M3x38
Wall Screw
1 pc. (+1 extra)



M3x13
Wood Screw
1 pc. (+1 extra)