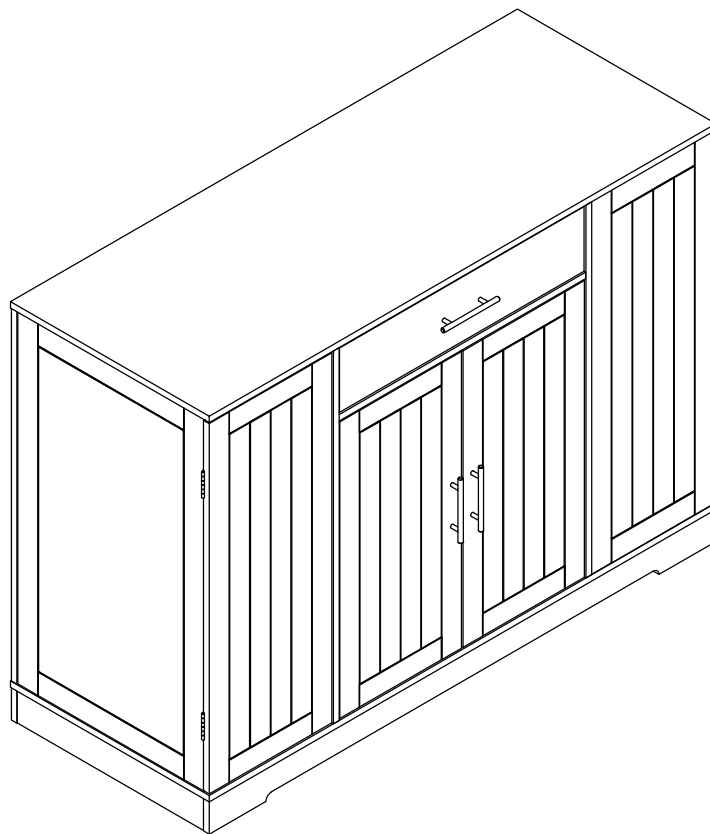
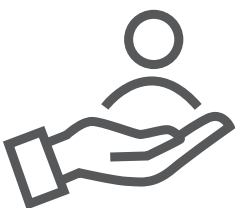


Kitchen Island With Trash Can



“



Warm Reminder

If you experience any issues with our product (including missing parts, damage, installation problems, or not meeting expectations), please contact us. We will provide satisfactory assistance within 24 hours.

”

General Guidelines

- Please read the following instruction carefully and use the product accordingly.
- Please keep this manual and hand it over when you transfer the product.
- This summary may not include every detail of all variations and considered steps. Please contact us when further information and help are needed.

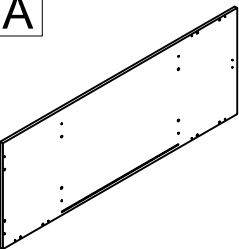
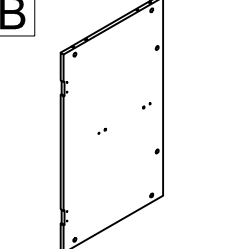
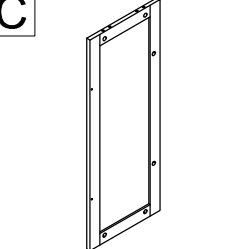
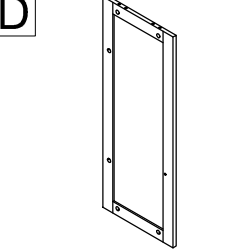
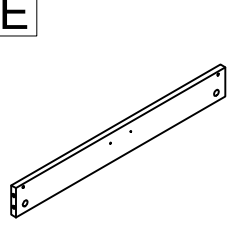
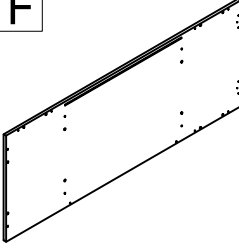
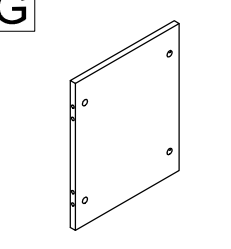
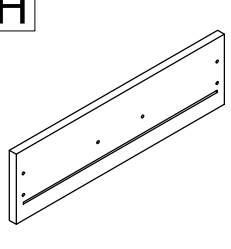
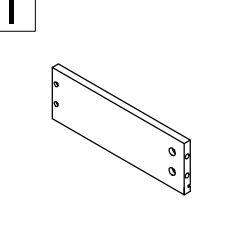
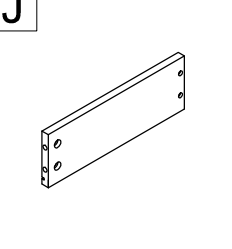
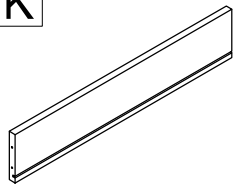
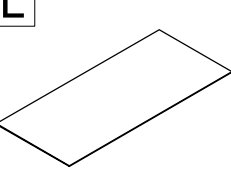
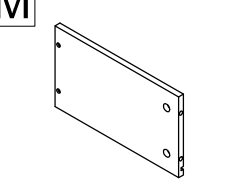
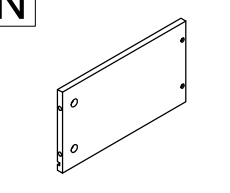
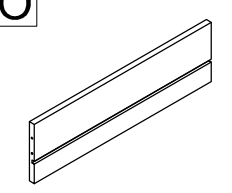
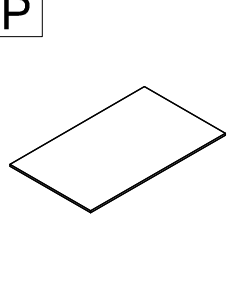
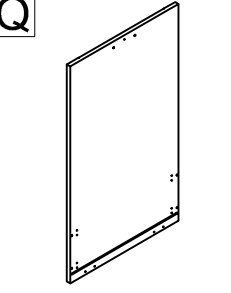
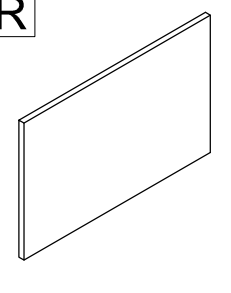
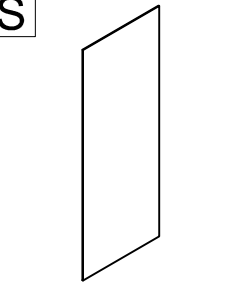
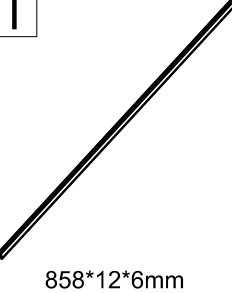
Notes

- The product is intended for indoor use only. The product must be assembled and used in accordance with the provisions of the manual. Personal injury and/or damage to product may occur if products are used outside of their intended purposes and/or if products have been changed/modified from their original design. The seller does not assume any responsibility or liability with respect to any injury/damage caused by incorrect assembly or improper use.
- Avoid long-term exposure to humid environments to prevent mildew.
- Keep the product away from fire sources and high temperatures. Do not expose the product to direct sunlight.
- Do not place any hot objects on the surface of the product.
- If there are any defective or missing parts after unpacking, please cease assembly immediately and contact us.
- Please assemble the item on a spacious surface and do not place the unwrapped product directly on the ground to avoid product damage.
- Please do not stand or sit on the wooden boards.
- Please wear gloves during the assembly and/or disassembly process to avoid scratches from any sharp edges.
- Please match the corresponding part and fitting based on the part number in the manual.
- If the part does not match with the fitting, please check the piece as specified in this manual.
- During assembly, first loosely align all screws with the corresponding pre-drilled holes and then tighten the screws one by one.
- Periodically inspect screw tightness while the product is in use. If necessary, retighten to ensure structural integrity.
- If you accidentally spill water or another liquid on the surface, immediately wipe clean with a dry towel.
- Please keep the product away from sharp, pointed objects and corrosive substances to prevent product damage.
- Please place this item on level, solid ground during use.

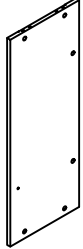
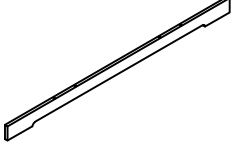
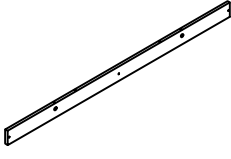
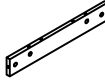
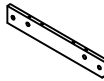
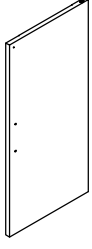
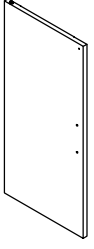
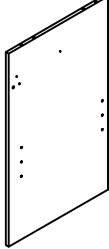

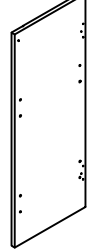



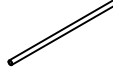
Warnings

- During assembly, keep all small parts out of the reach of children. It may be fatal if swallowed or inhaled.
- Children should not climb or play on the product in order to avoid tipping over the furniture and causing serious injury.
- To avoid the potential dangers of suffocation, please keep all parts and packaging (film, plastic bags, foam, etc.) away from babies and children.
- Keep sharp objects and corrosive items away from the product to avoid any damage or injury.
- Do not shake or move violently during use to avoid tipping over the product.

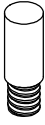




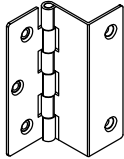


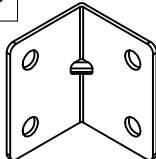

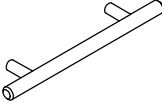
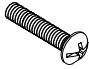
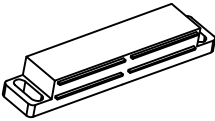
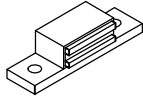
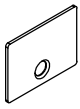
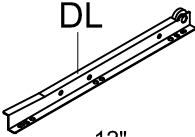
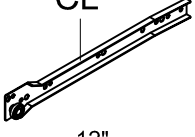
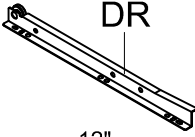
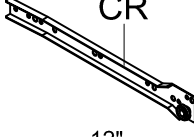

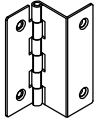
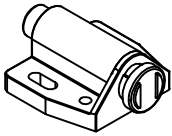
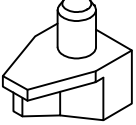


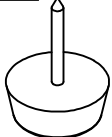
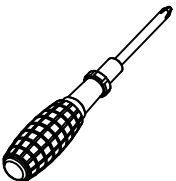
PART LIST

				
<p>Top Panel 1 PC</p>	<p>Left Panel 1 PC</p>	<p>Left Back Panel 1 PC</p>	<p>Right Back Panel 1 PC</p>	<p>Center Rail 1 PC</p>
				
<p>Bottom Panel 1 PC</p>	<p>Fixed Shelf Panel 1 PC</p>	<p>Drawer Front Panel 1 PC</p>	<p>Drawer Left Panel 1 PC</p>	<p>Drawer Right Panel 1 PC</p>
				
<p>Drawer Back Panel 1 PC</p>	<p>Drawer Bottom Panel 1 PC</p>	<p>Wooden Box Left Panel 1 PC</p>	<p>Wooden Box Right Panel 1 PC</p>	<p>Wooden Box Back Panel 1 PC</p>
				
<p>Wooden Box Bottom Panel 1 PC</p>	<p>Wooden Box Door 1 PC</p>	<p>Adjustable Shelf 1 PC</p>	<p>Center Back Panel 2 PCS</p>	<p>858*12*6mm Back Plastic Strip 1 PC</p>

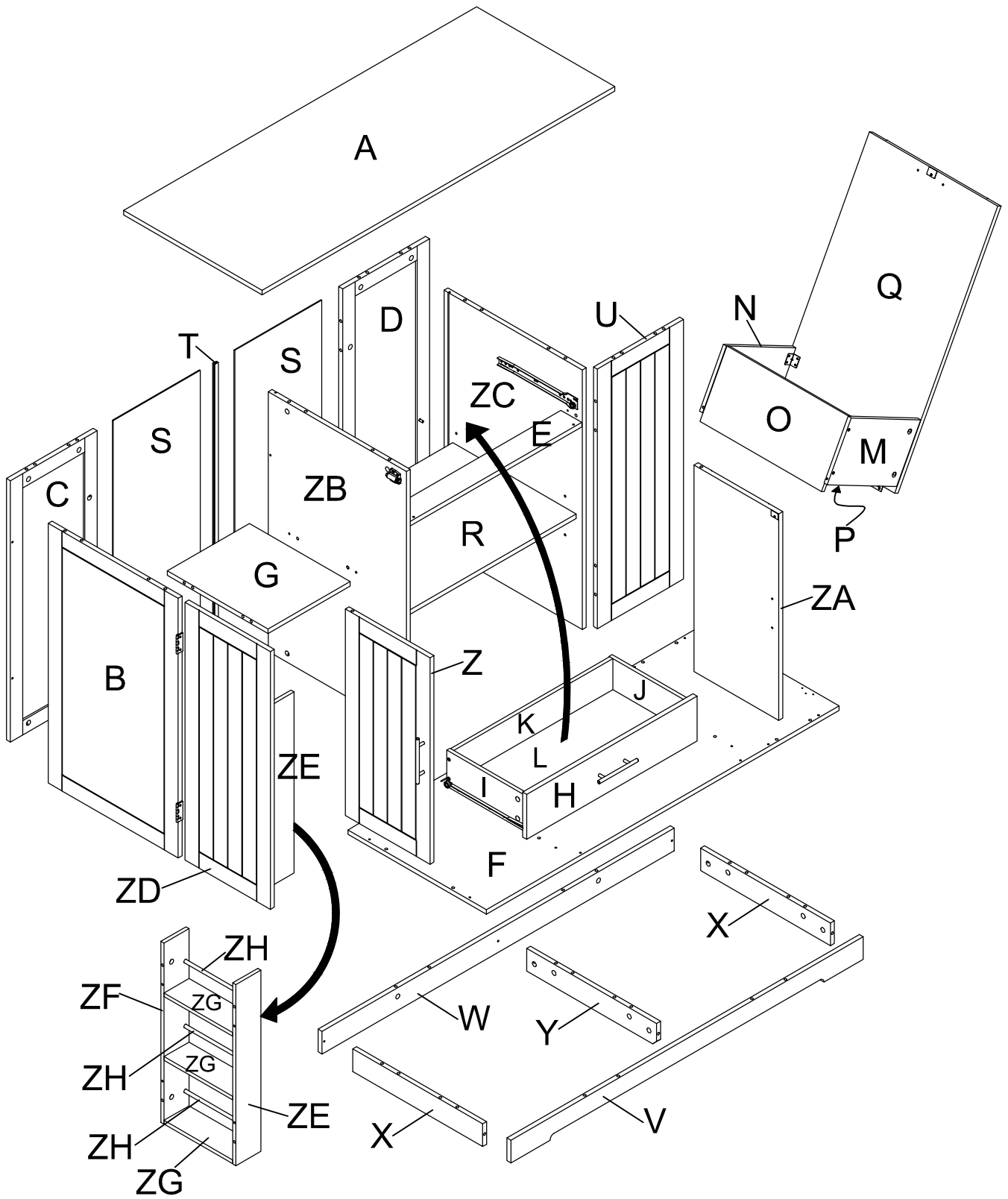
PART LIST

U 	V 	W 	X 	Y 
Right Front Panel 1 PC	Front Foot Board 1 PC	Rear Foot Board 1 PC	Side Foot Board 2 PCS	Center Foot Board 1 PC
Z 	ZA 	ZB 	ZC 	ZD 
Center Door-L 1 PC	Center Door-R 1 PC	Left Partition Panel 1 PC	Right Partition Panel 1 PC	Left Door 1 PC
ZE 	ZF 	ZG 	ZH 	
Front Vertical Panel-L 1 PC	Front Vertical Panel-R 1 PC	Front Fixed Shelf Panel 3 PCS	Plastic Pipe Ø10*277mm 3 PCS	

HARDWARE LIST

<p>#1</p>  <p>M5*18mm Round Screw</p>	<p>#2</p>  <p>Ø6*30mm Wood Dowel</p>	<p>#3</p>  <p>Ø3.5*30mm Screw</p>	<p>#4</p>  <p>Ø6*35mm Cam-bolt</p>	<p>#5</p>  <p>Ø15*9mm Cam-lock</p>	
<p>2 PCS (Extra 1)</p>	<p>48PCS (Extra 4)</p>	<p>8PCS (Extra 1)</p>	<p>78PCS (Extra 3)</p>	<p>78PCS (Extra 3)</p>	
<p>#6</p>  <p>60*24.5mm Hinge</p>	<p>#7</p>  <p>14*10mm Back Bracket</p>	<p>#8</p>  <p>Ø3.5*14mm Screw</p>	<p>#9</p>  <p>24*24*32*1.2mm Angle Iron</p>	<p>#10</p>  <p>Ø3.5*12mm Screw</p>	
<p>2 PCS</p>	<p>10 PCS (Extra 2)</p>	<p>24 PCS (Extra 3)</p>	<p>4 PCS</p>	<p>24 PCS (Extra 3)</p>	
<p>#11</p>  <p>150*32*Ø12mm Handle</p>	<p>#12</p>  <p>M4*20mm Round Head Bolt</p>	<p>#13</p>  <p>70*17*13mm Double Door Magnet</p>	<p>#14</p>  <p>45*17*12mm Single Door Magnet</p>	<p>#15</p>  <p>30*22*1mm Door Small Plate</p>	
<p>4 PCS</p>	<p>8 PCS (Extra 1)</p>	<p>1 PC</p>	<p>1 PC</p>	<p>4 PCS</p>	
<p>#16</p>  <p>DL 12" Left Drawer Slide Set (A)</p>	<p>#17</p>  <p>CL 12" Left Drawer Slide Set (B)</p>	<p>#18</p>  <p>DR 12" Right Drawer Slide Set (A)</p>	<p>#19</p>  <p>CR 12" Right Drawer Slide Set (B)</p>	<p>#20</p>  <p>Ø3*12mm Screw</p>	<p>#21</p>  <p>41.5*18.5mm Hinge</p>
<p>1 PC</p>	<p>1 PC</p>	<p>1 PC</p>	<p>1 PC</p>	<p>14 PCS (Extra 2)</p>	<p>2 PCS</p>
<p>#22</p>  <p>Magnetic Latch</p>	<p>#23</p>  <p>16*11*Ø5mm Shelf Holder</p>	<p>#24</p>  <p>Ø3*15mm Screw</p>	<p>#25</p>  <p>Safety Strap Kit</p>	<p>#26</p>  <p>Ø13*5mm Nail Pad</p>	 <p>Phillips Screwdriver</p>
<p>1 PC</p>	<p>4 PCS (Extra 1)</p>	<p>4 PCS (Extra 1)</p>	<p>2 SET</p>	<p>6 PCS</p>	<p>1 PC</p>

ASSEMBLY OVERVIEW



Instructions For Fastening CAM-BOLT and CAM-LOCK

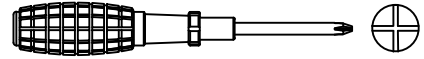


CAM-BOLT

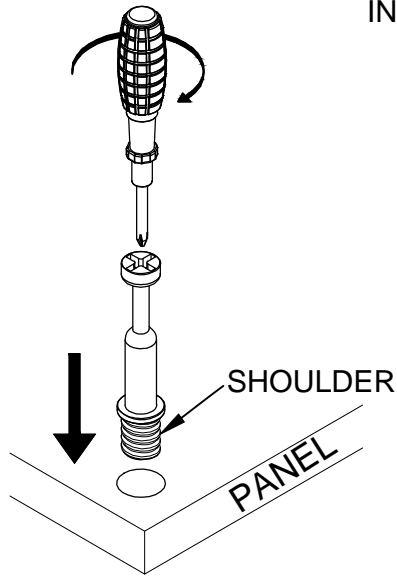


CAM-LOCK

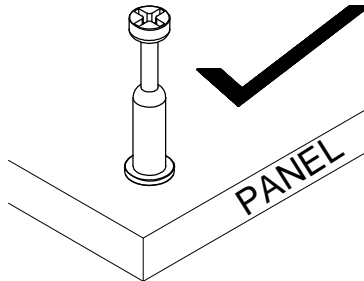
Tools Required



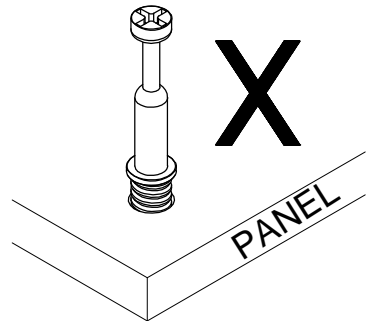
INSERTING AND TIGHTENING CAM-BOLT



Place Cam-bolt on pre-drilled hole and screw in vertically



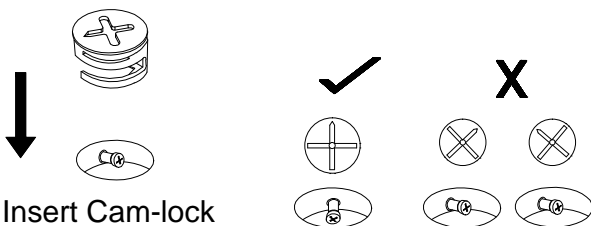
Shoulder is flushed (on the same level) with the panel.



Shoulder is above the panel.

Place Cam-bolt on the designated pre-drilled holes on the panel. Use a Phillips Screwdriver to screw-in Cam-bolt vertically until shoulder is flushed (on the same level) with panel.

INSERTING CAM-LOCK

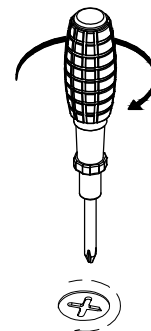


Insert Cam-lock with arrow align to Cam-bolt head

CORRECT

WRONG

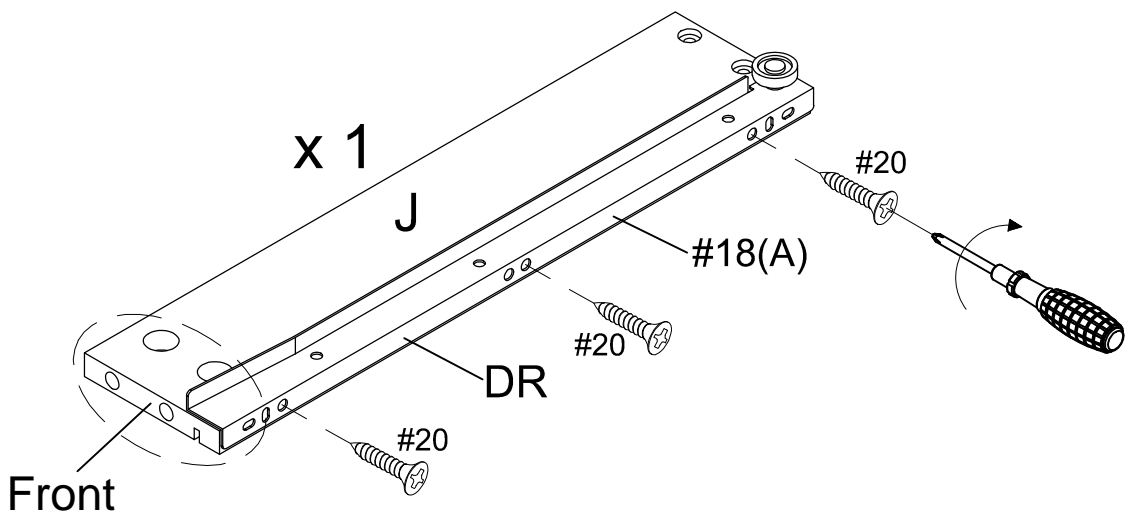
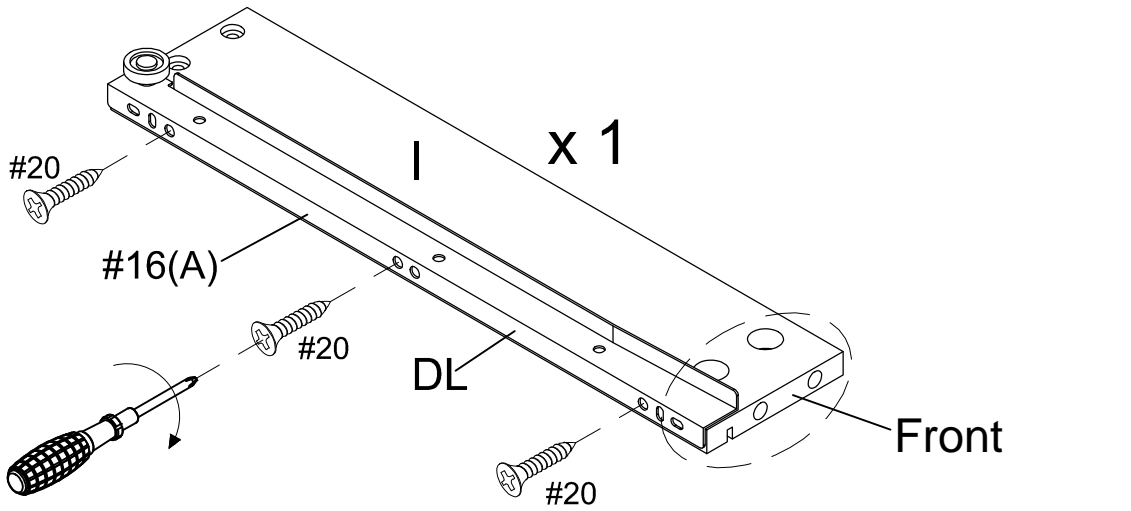
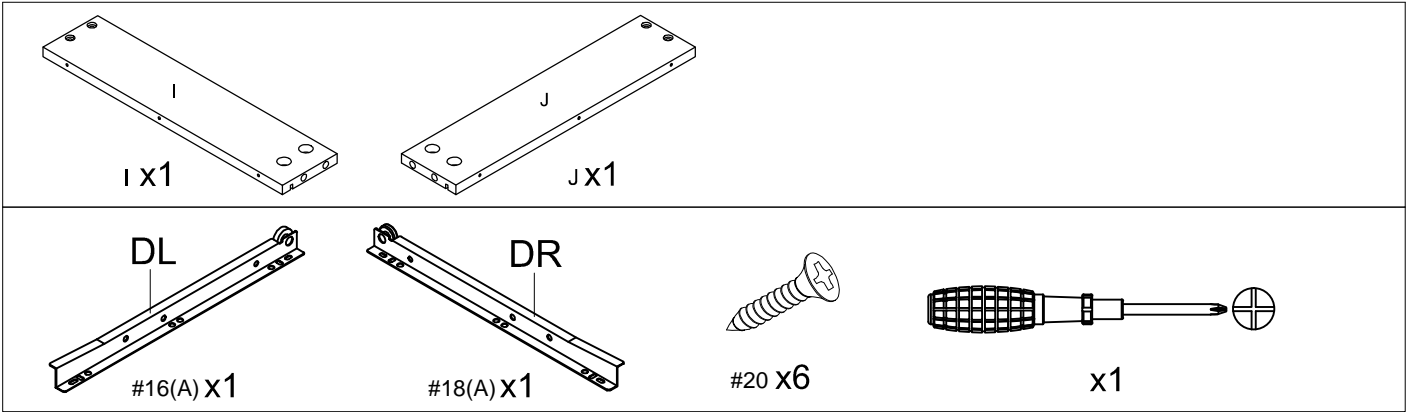
TIGHTENING CAM-LOCK



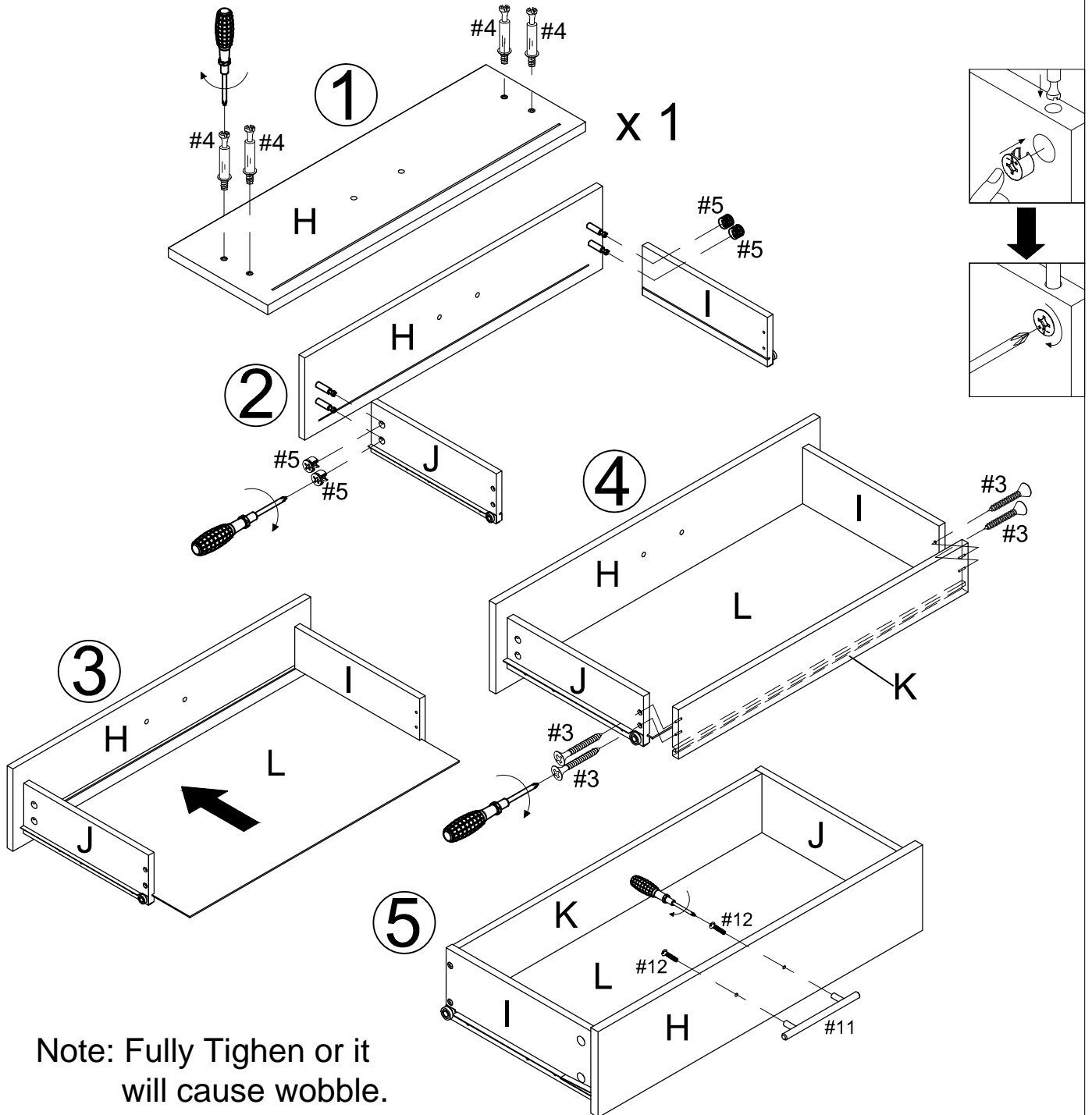
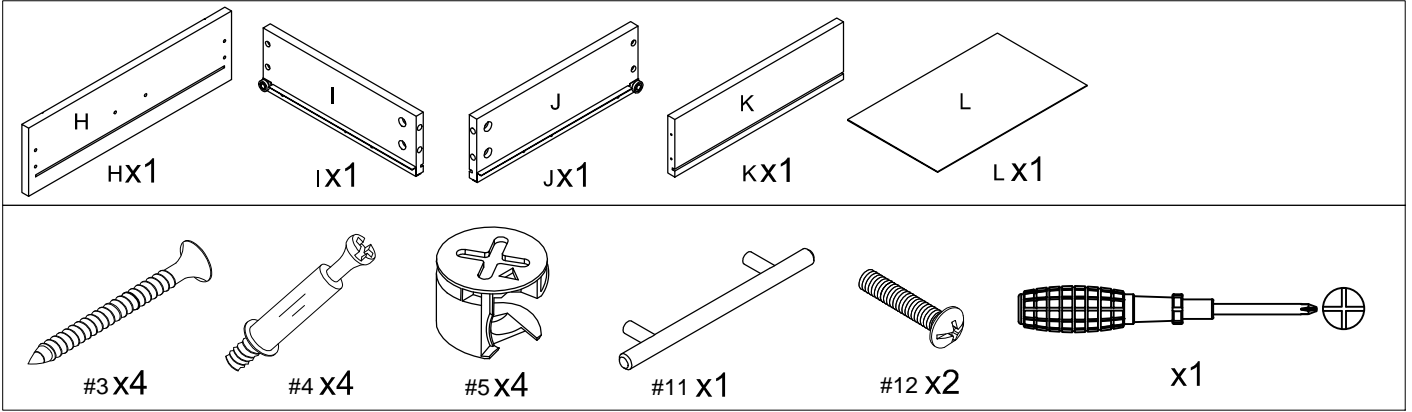
Align the arrow on the Cam-lock to the Cam-bolt head and insert the Cam-lock. Ensure Cam-lock is fully inserted.

Use a Flat-head Screwdriver to turn Camlock clockwise so it locks onto the head of the Cam-bolt. Turn until it is snug (about 3/4ths of a turn) -- over-tightening could damage Cam-lock or/and Cam-bolt.

Step 1.

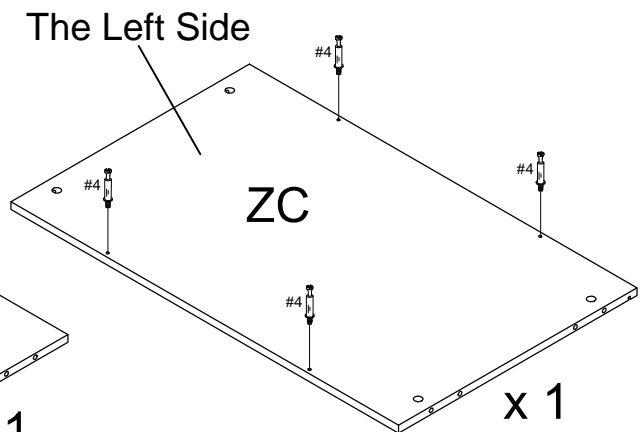
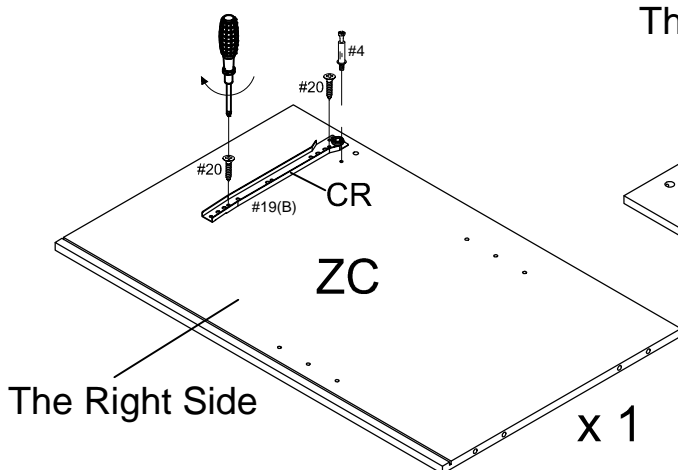
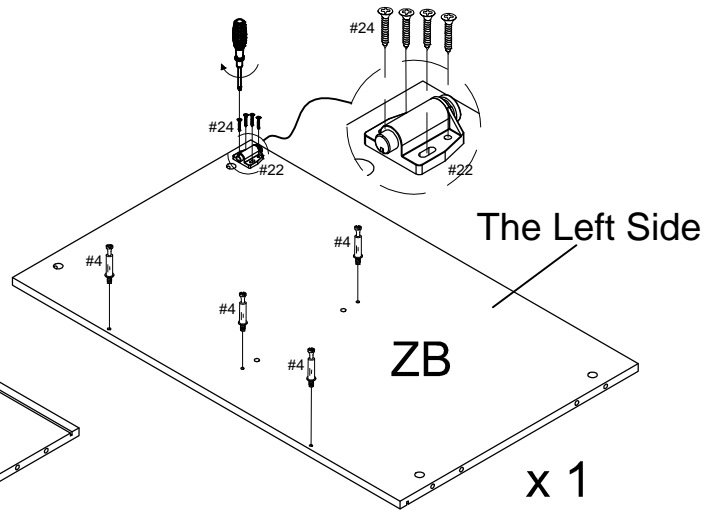
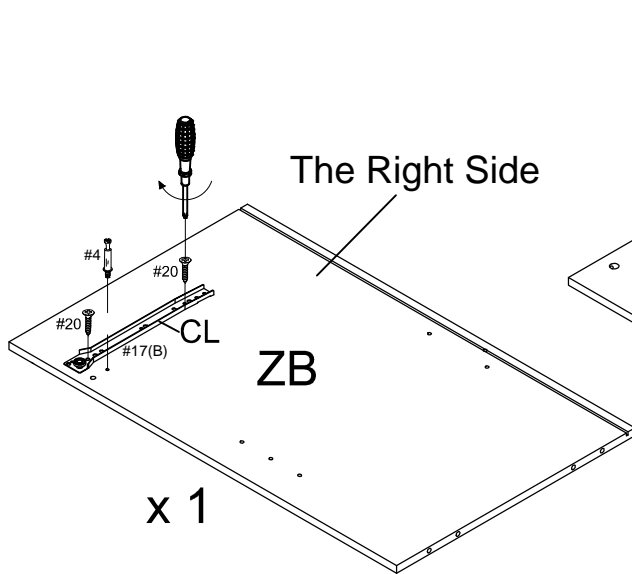
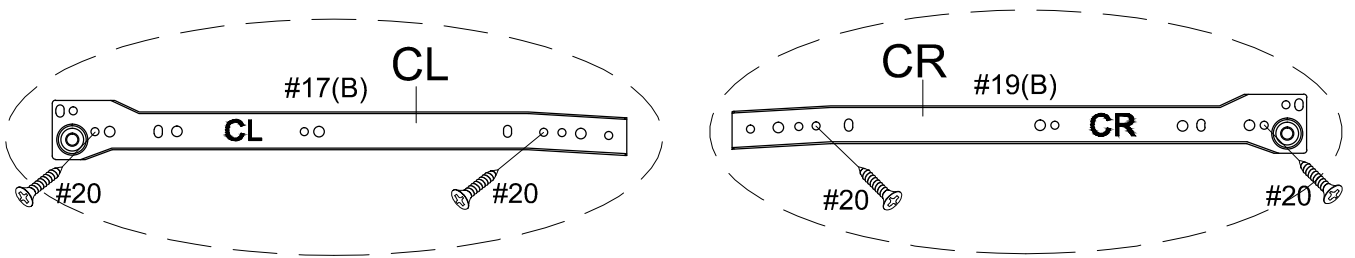
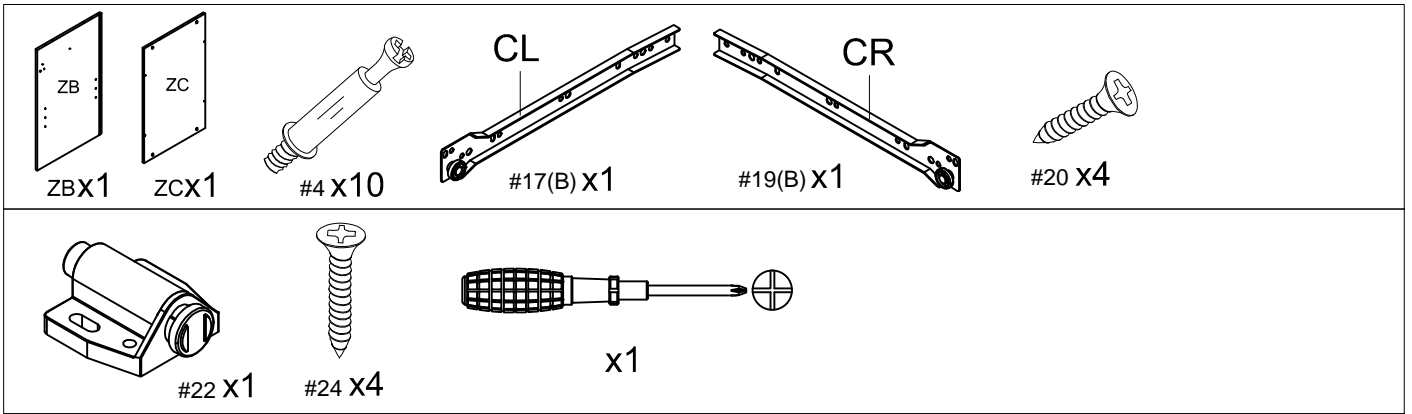


Step 2.

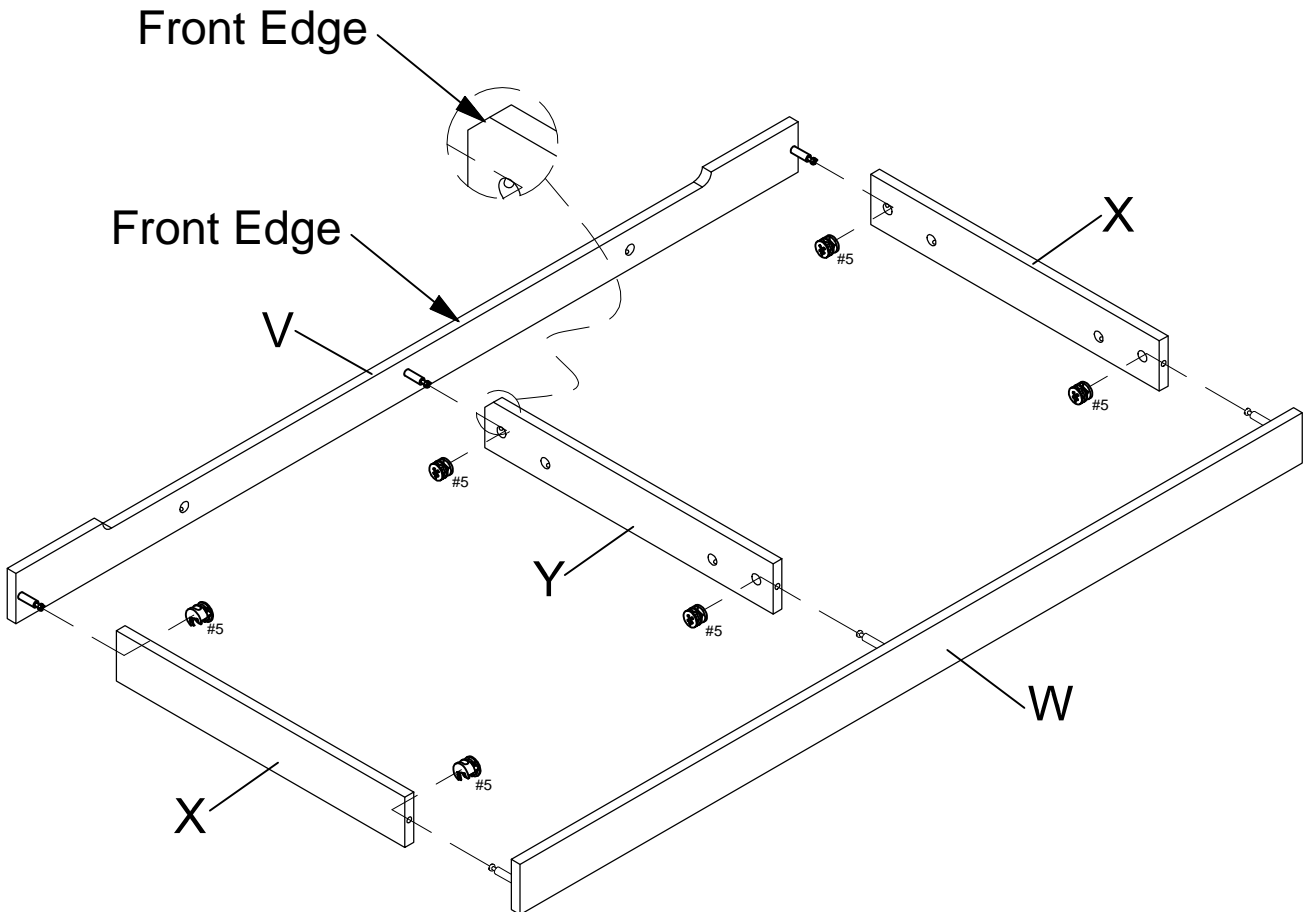
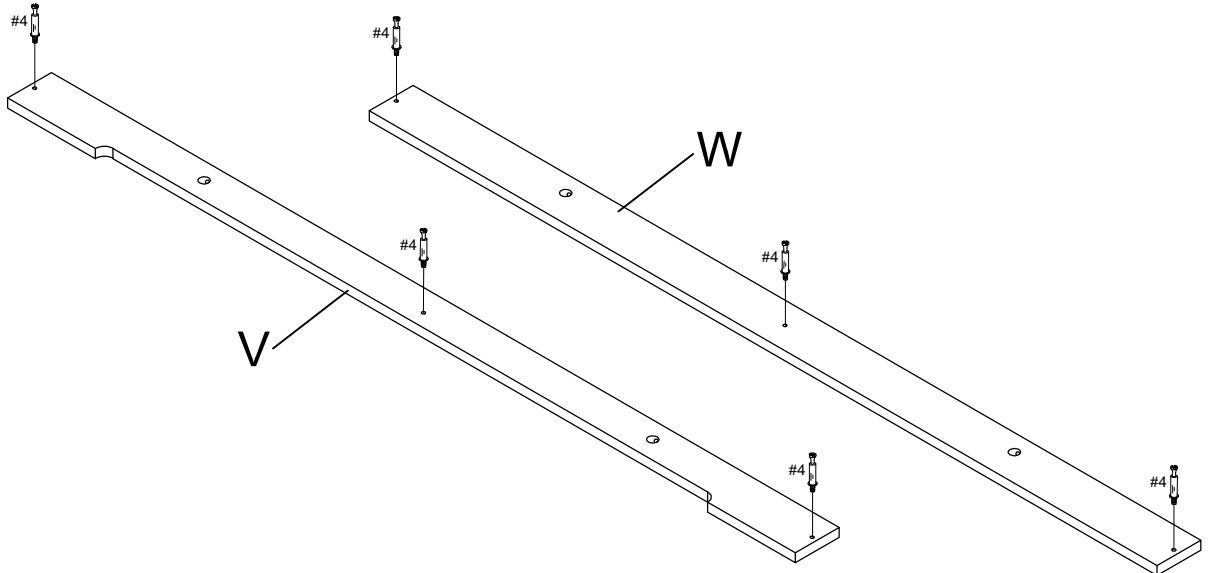
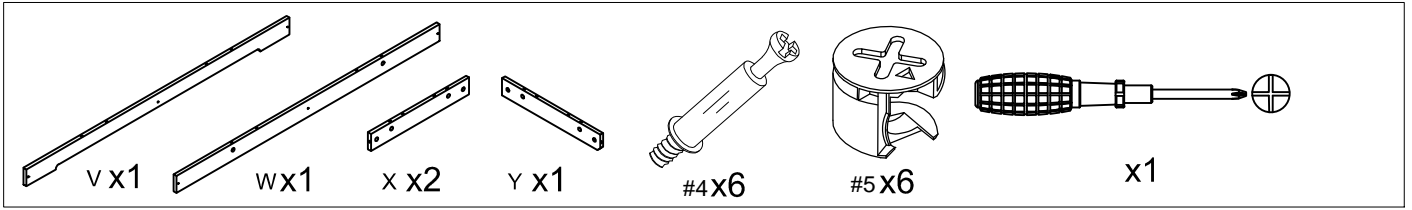


Note: Fully Tighen or it will cause wobble.

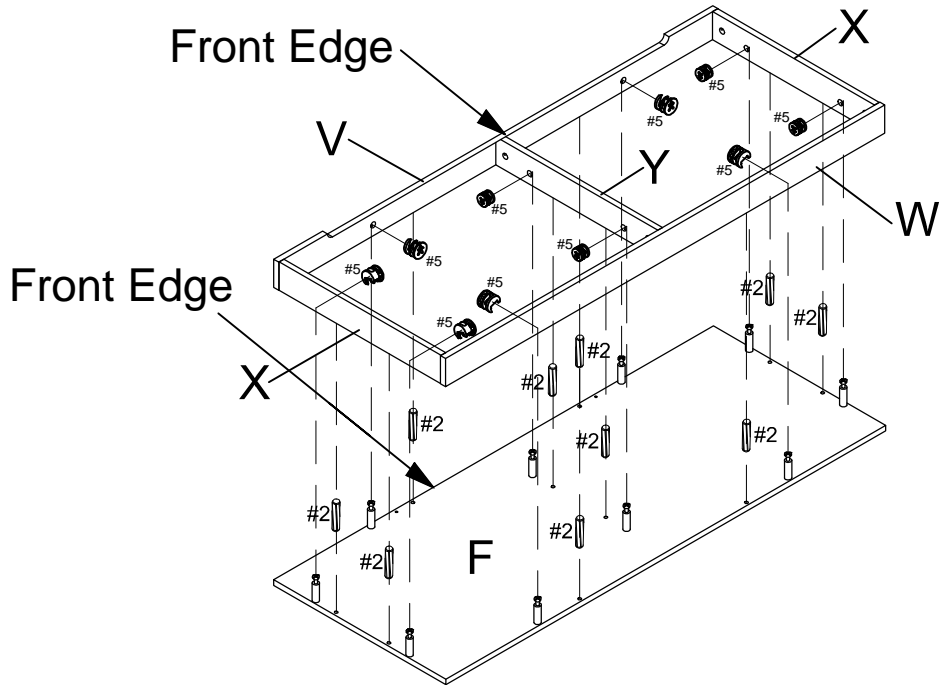
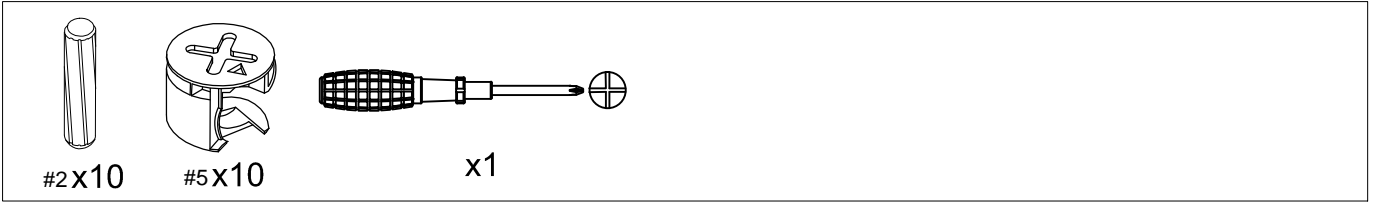
Step 3.



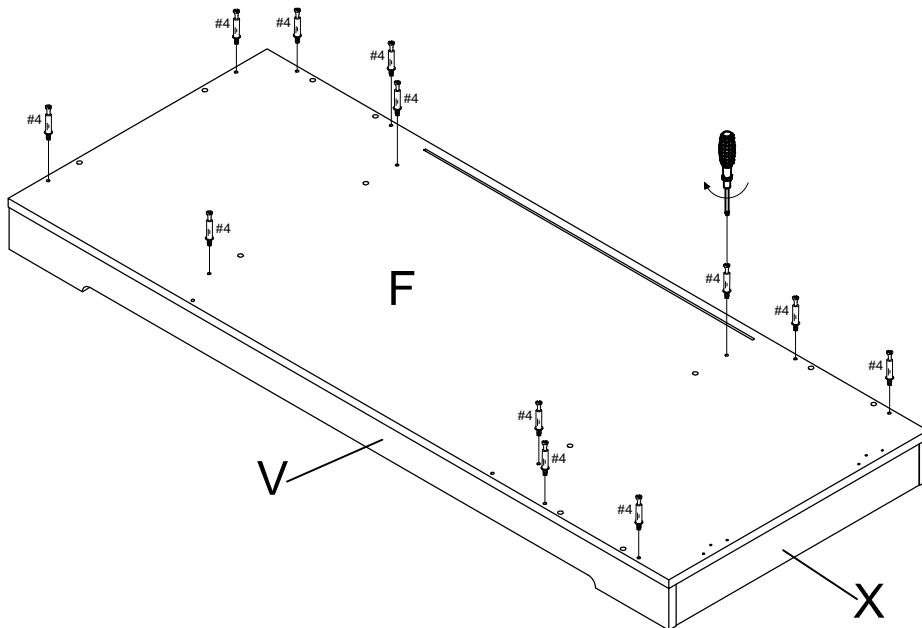
Step 6.



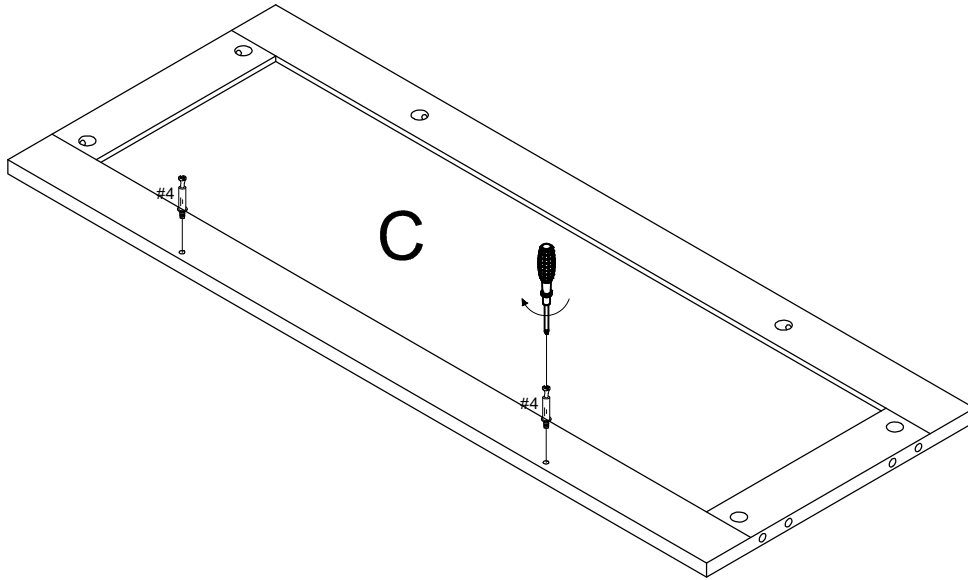
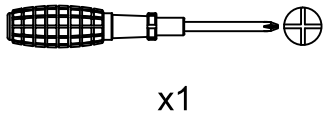
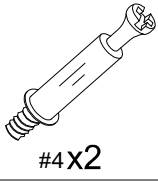
Step 7.



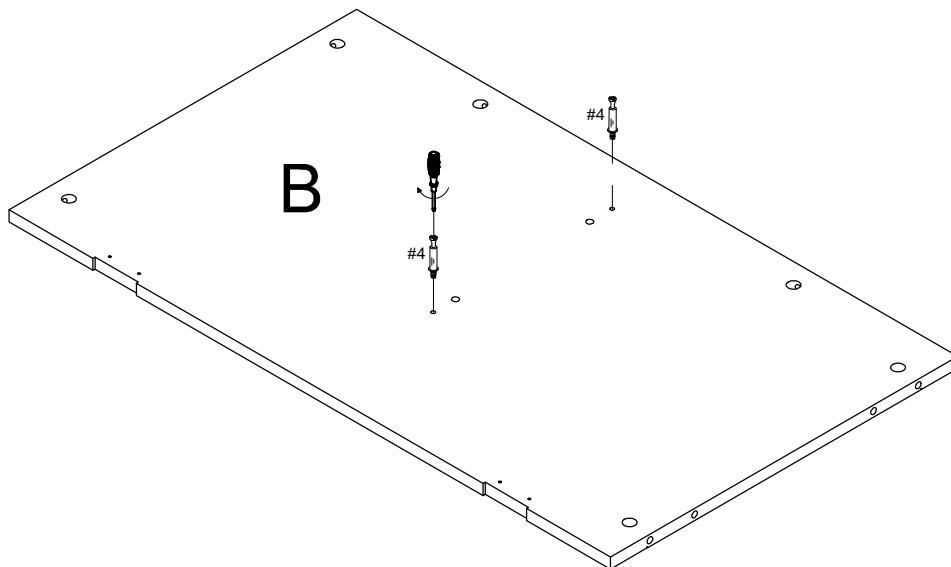
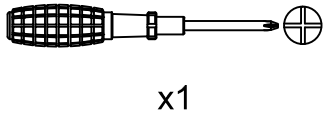
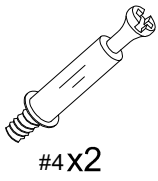
Step 8.



Step 9.



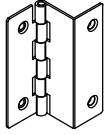
Step 10.



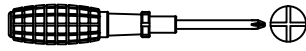
Step 11.



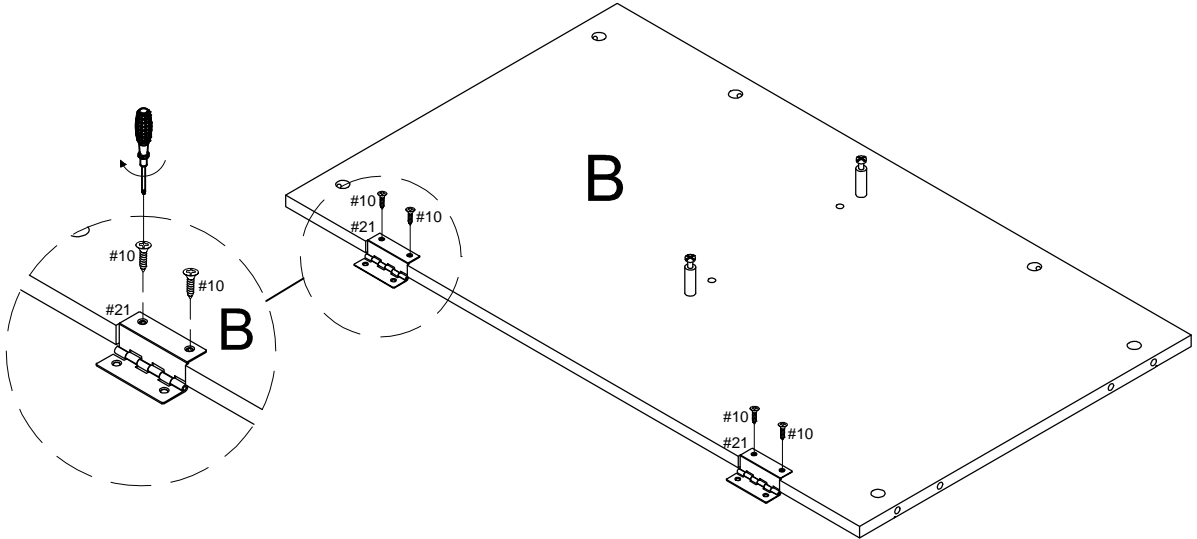
#10x4



#21x2



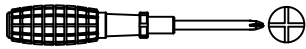
x1



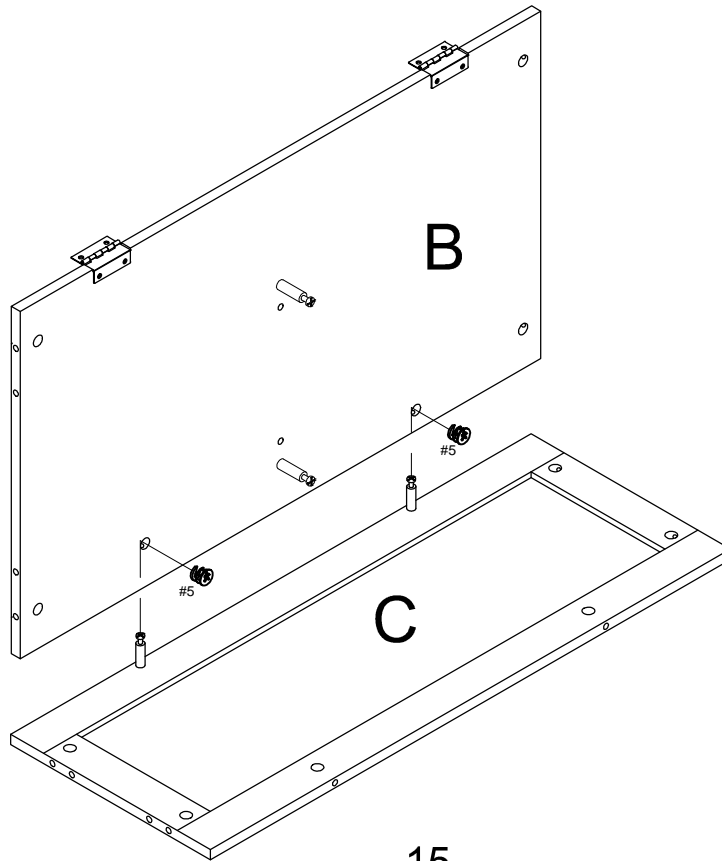
Step 12.



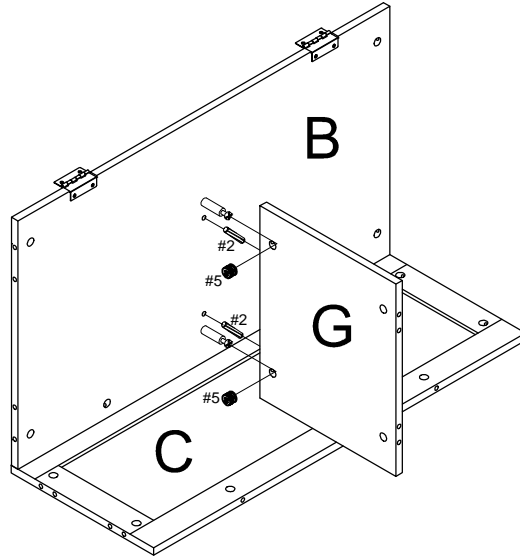
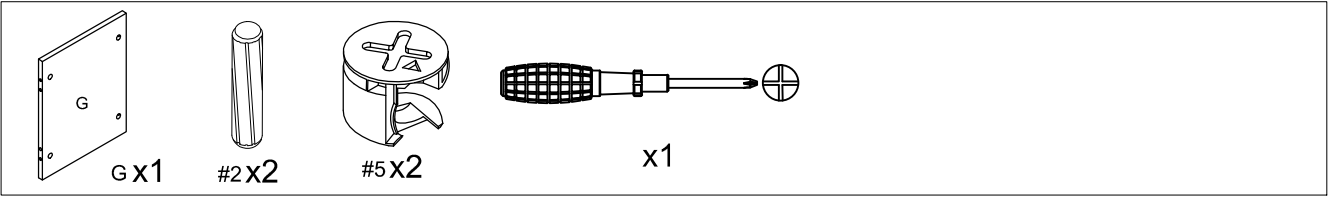
#5 x2



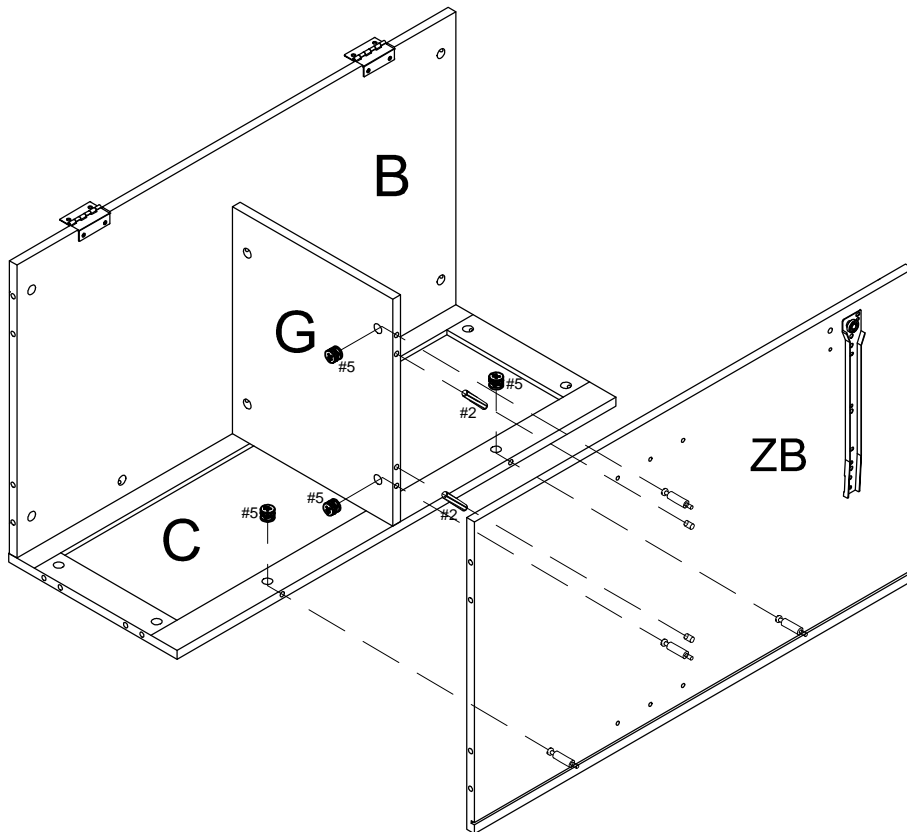
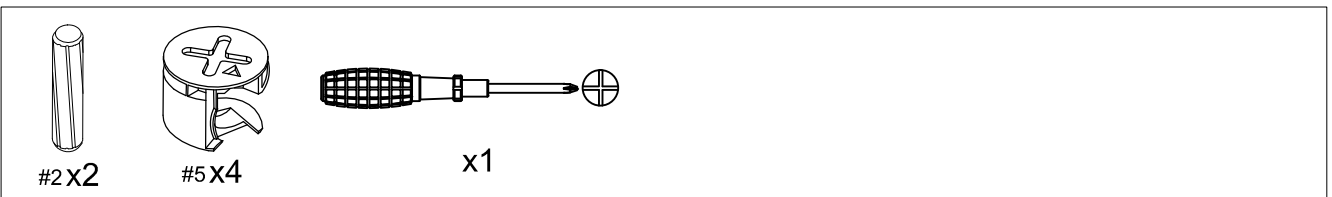
x1



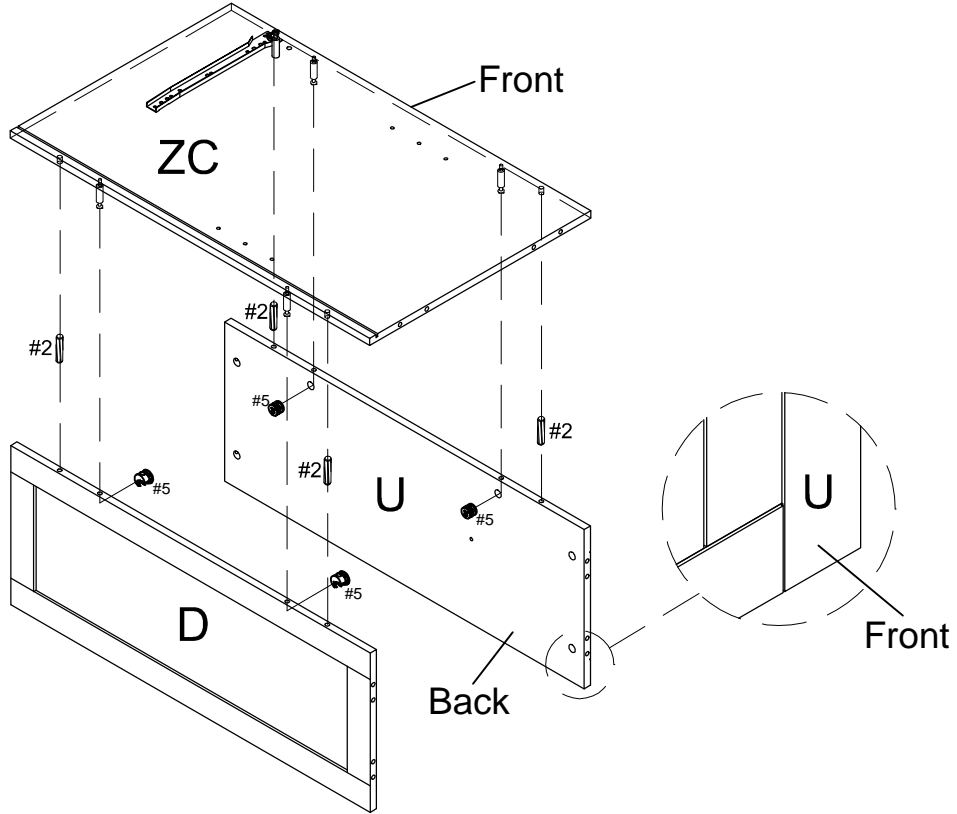
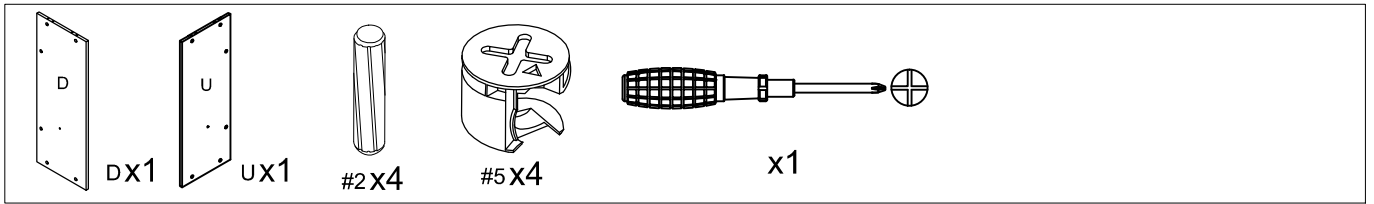
Step 13.



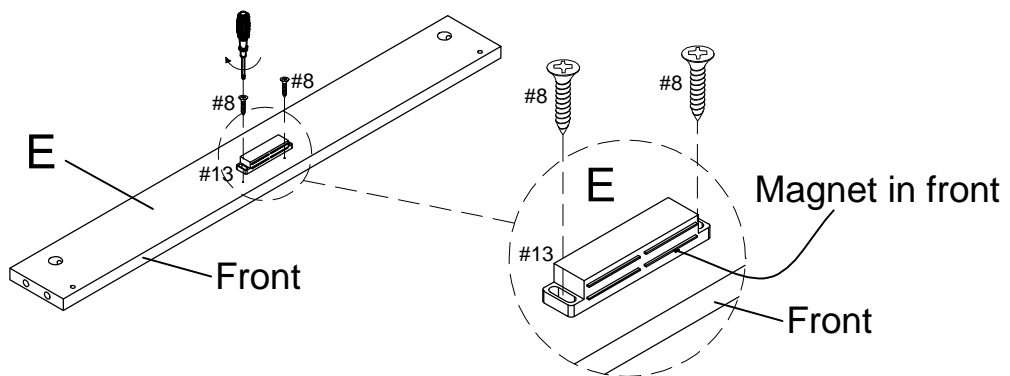
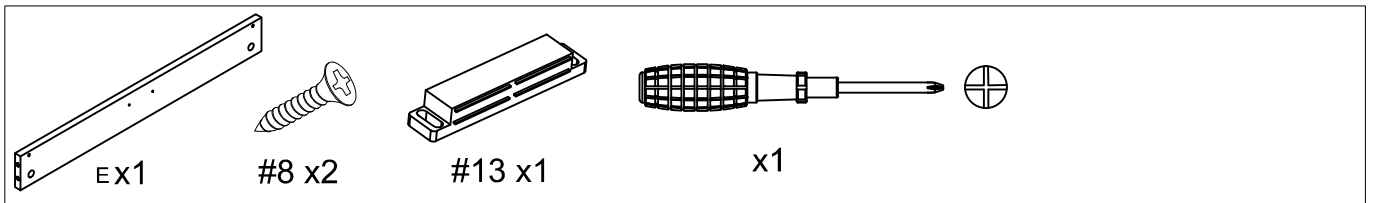
Step 14.



Step 15.



Step 16.



Step 17.



#2x2

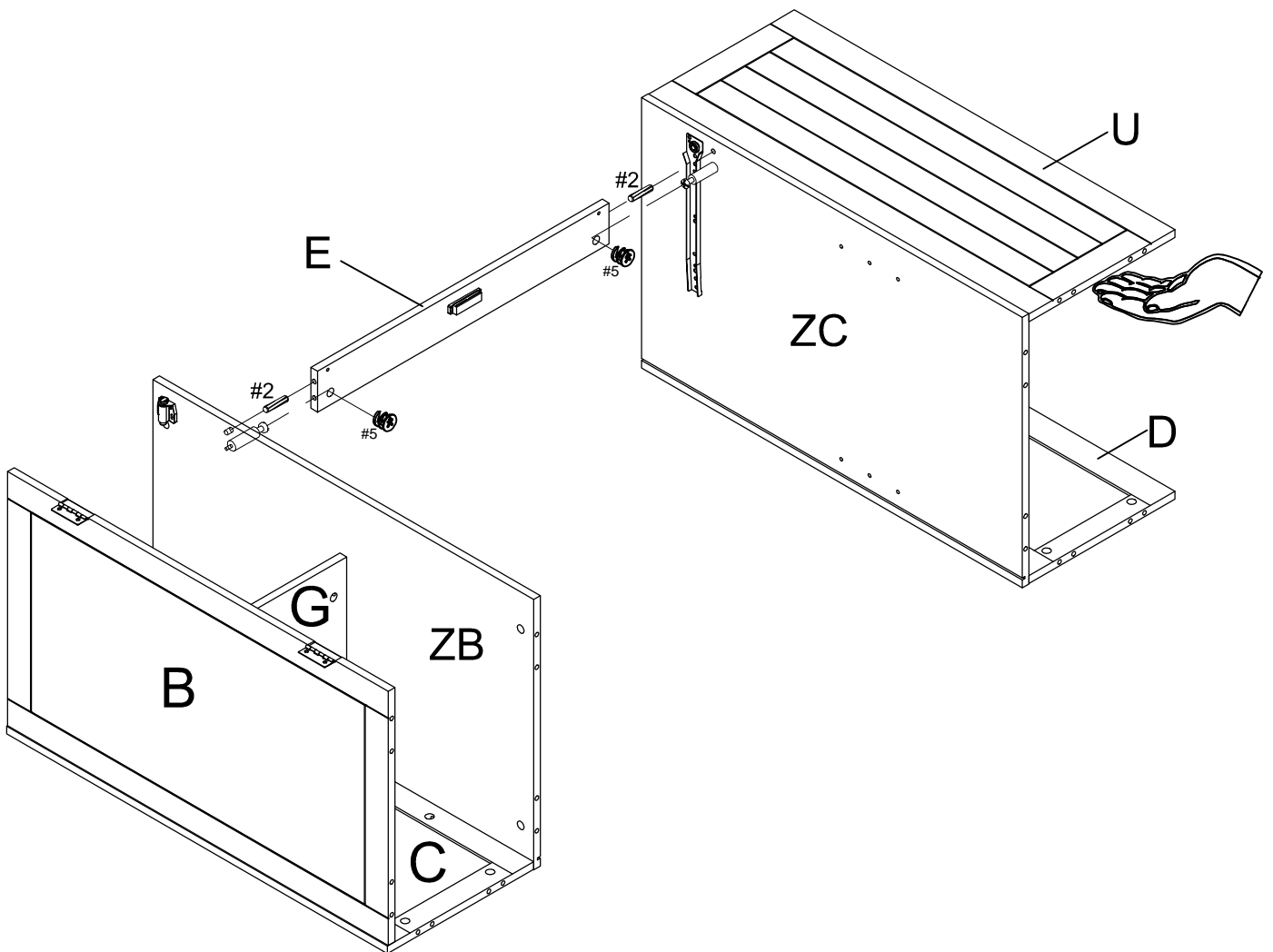


#5x2



x1

Please note: At least 2 people are required for this step!!!



Step 18.



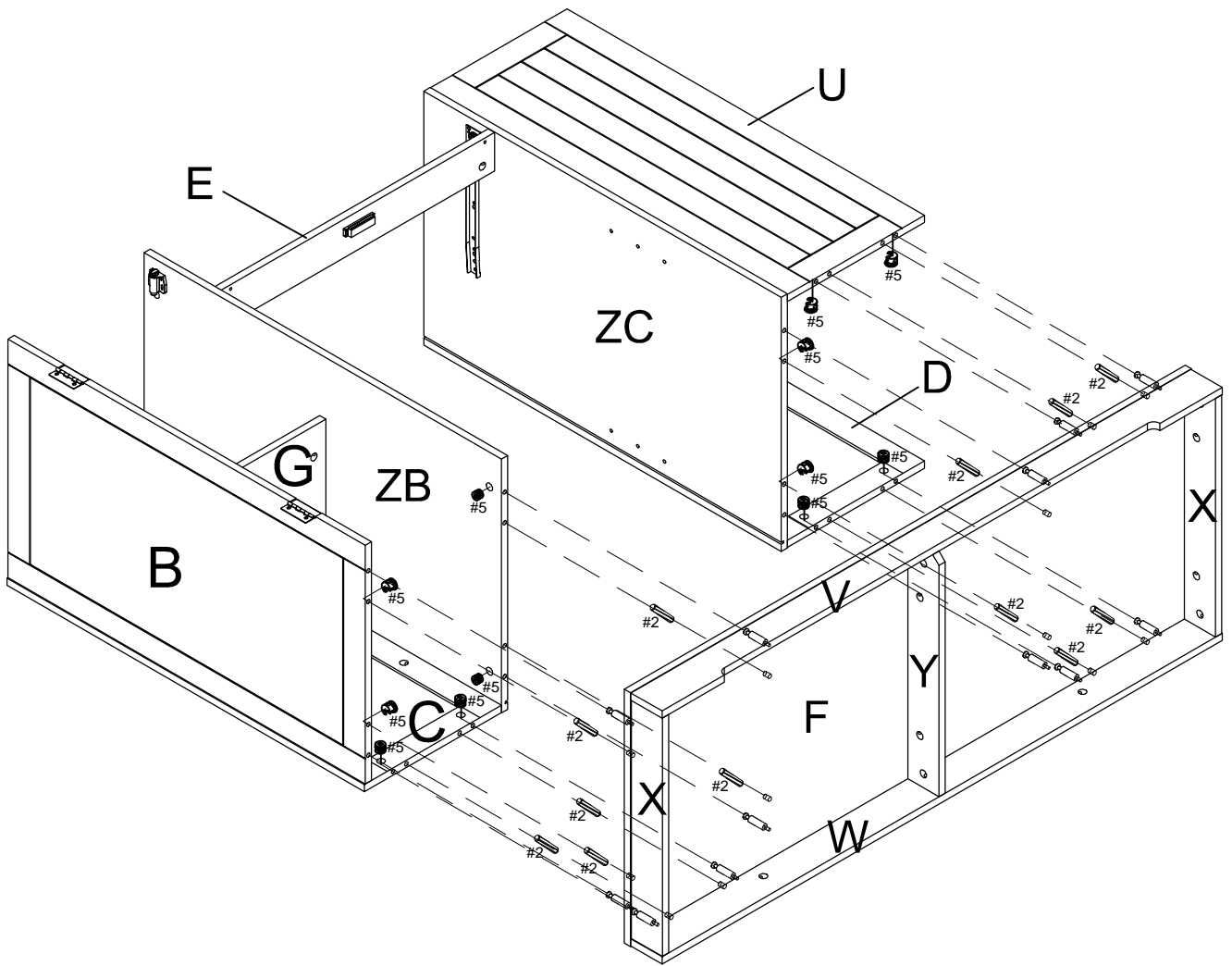
#2X12



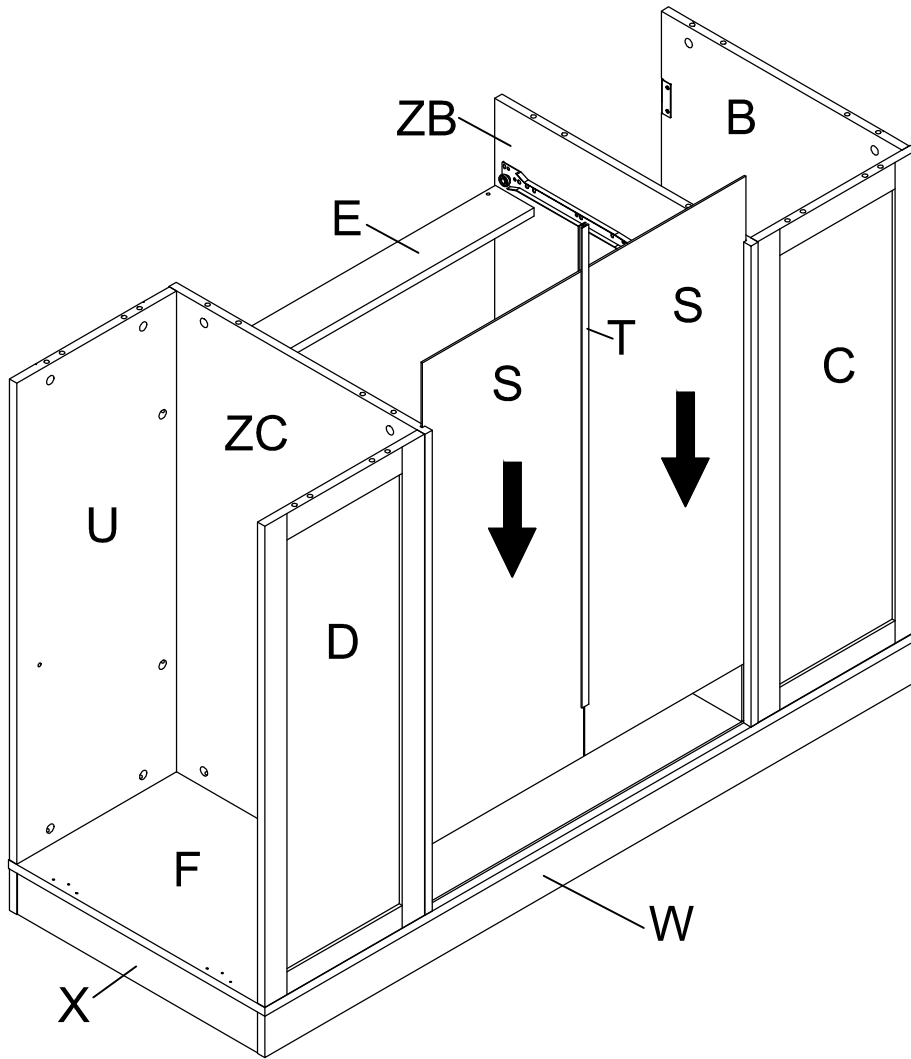
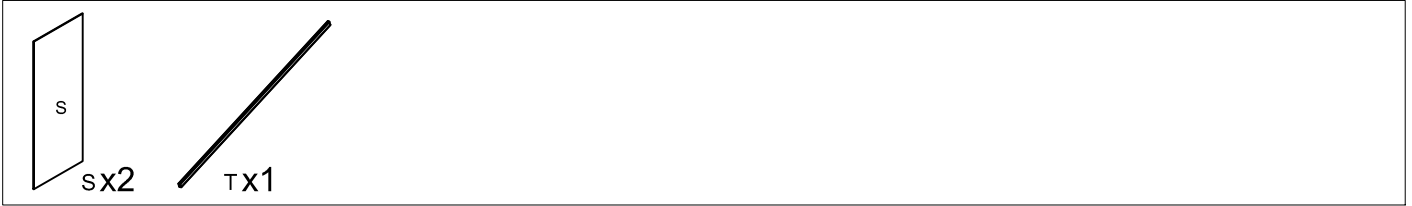
#5X12



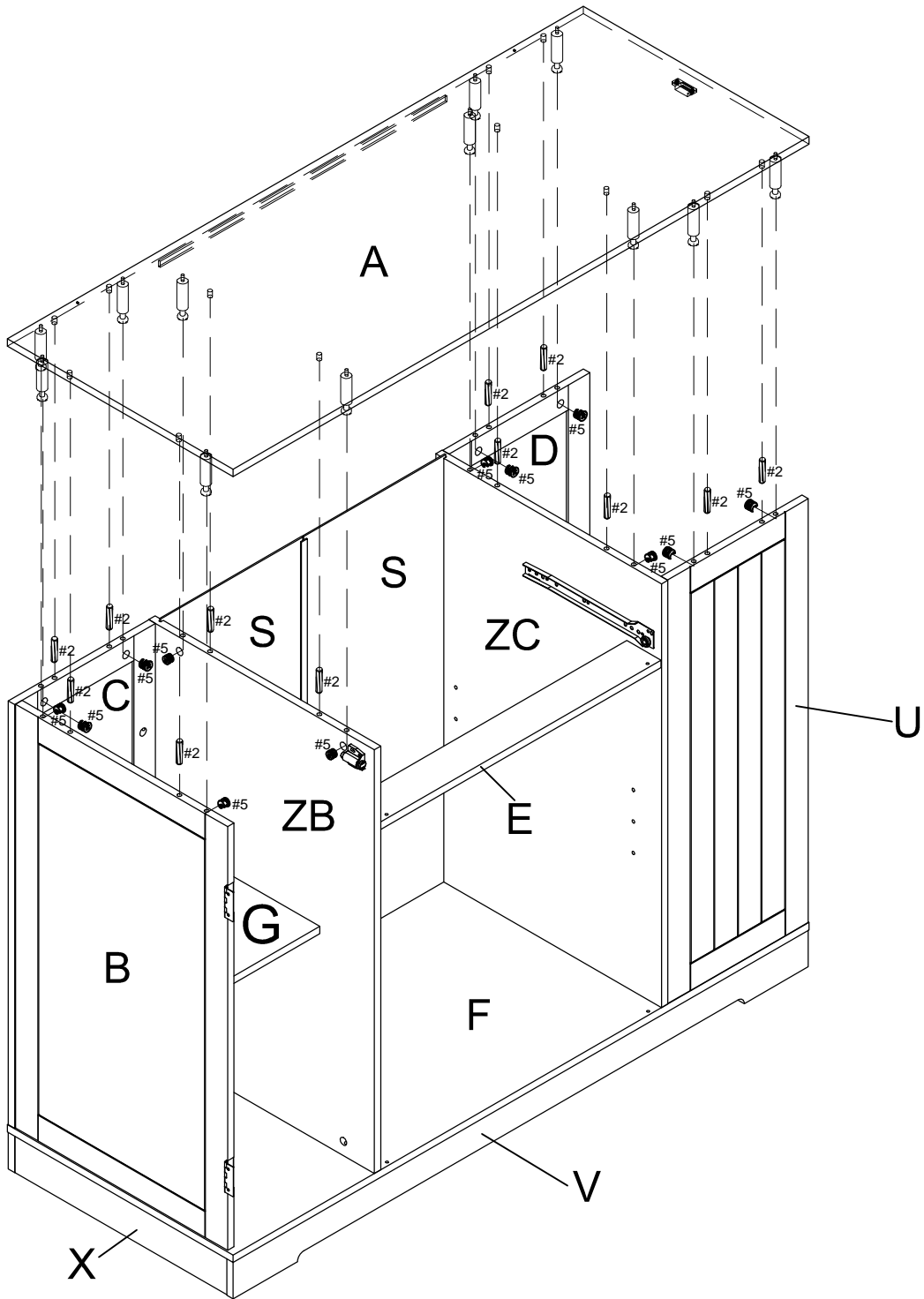
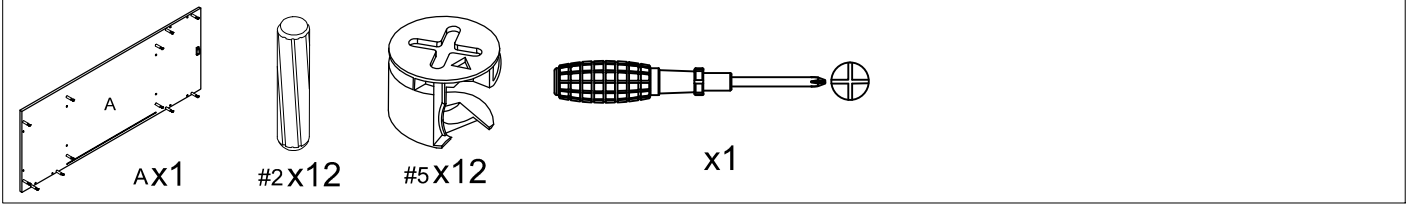
x1



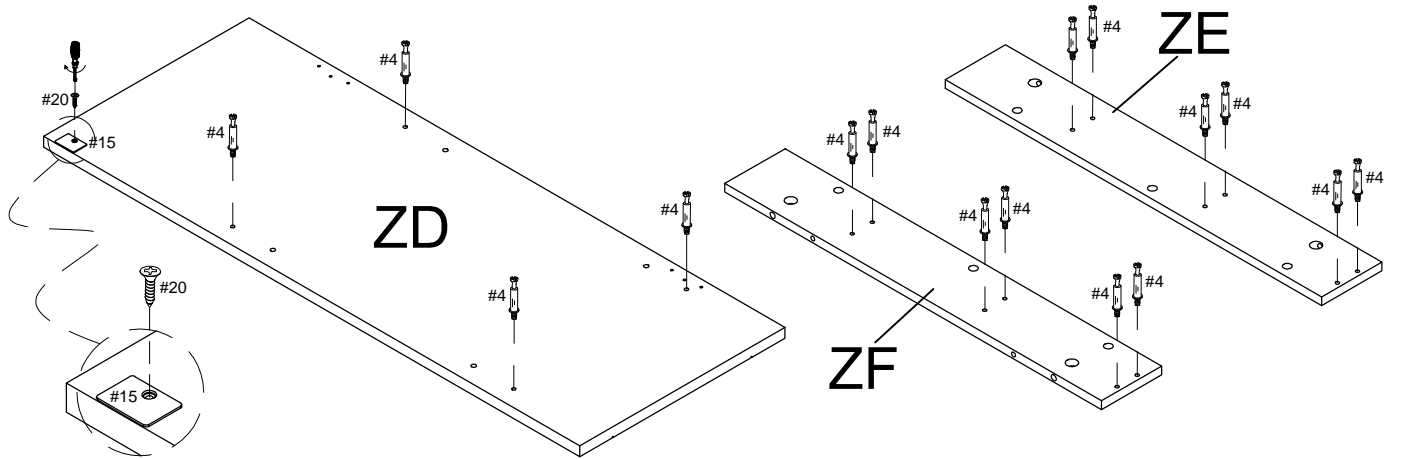
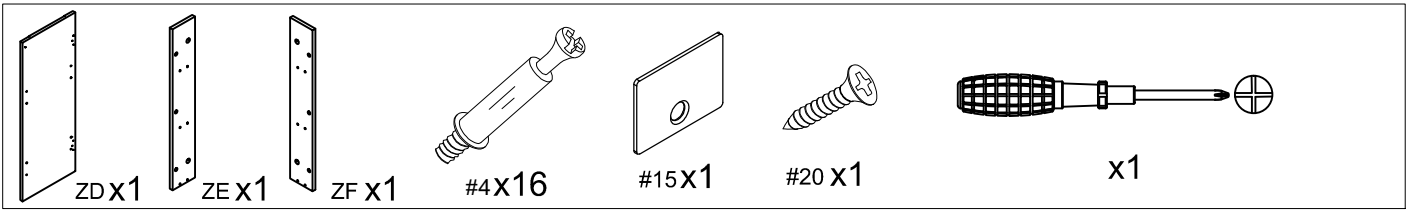
Step 19.



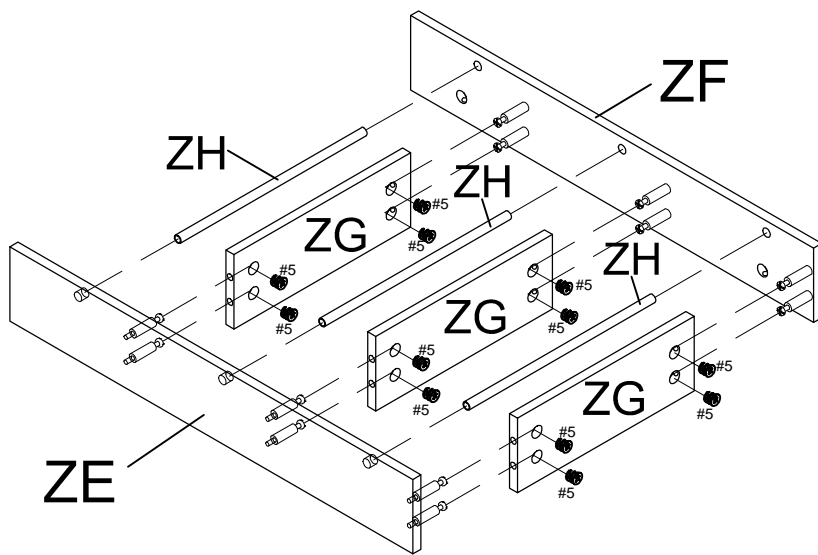
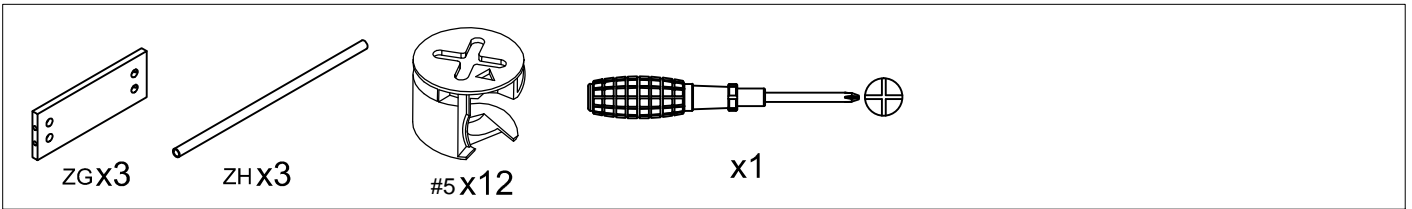
Step 20.



Step 21.



Step 22.



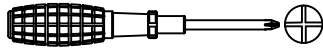
Step 23.



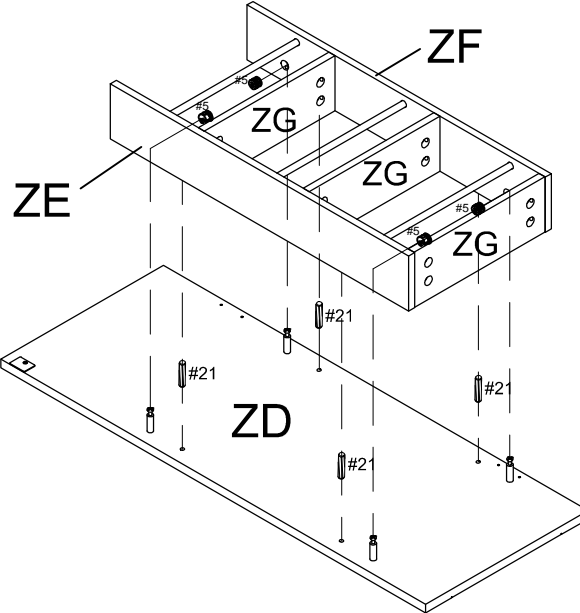
#5 X4



#21 X4



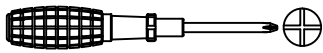
X1



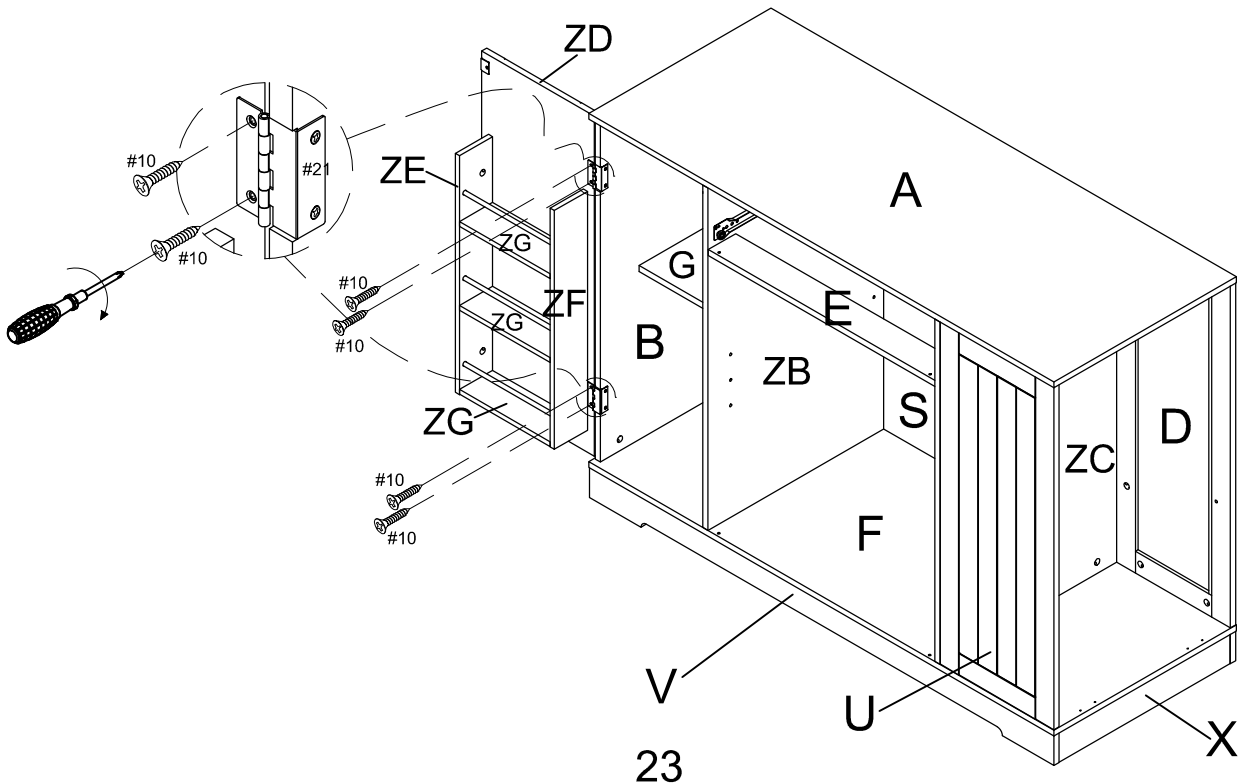
Step 24.



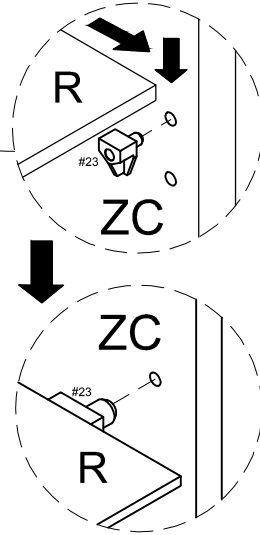
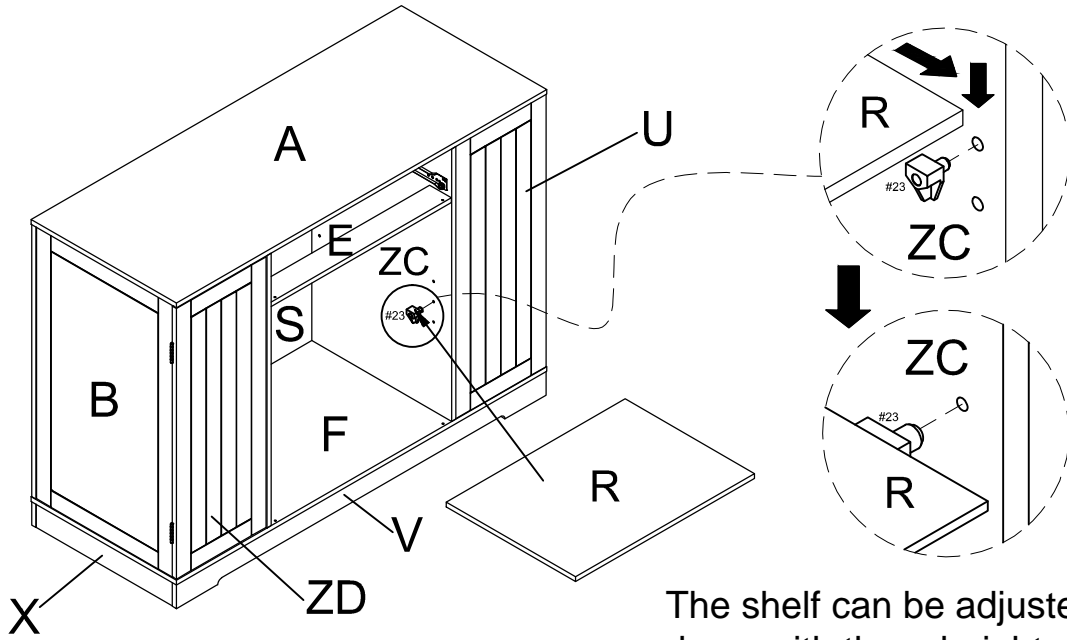
#10 X4



X1

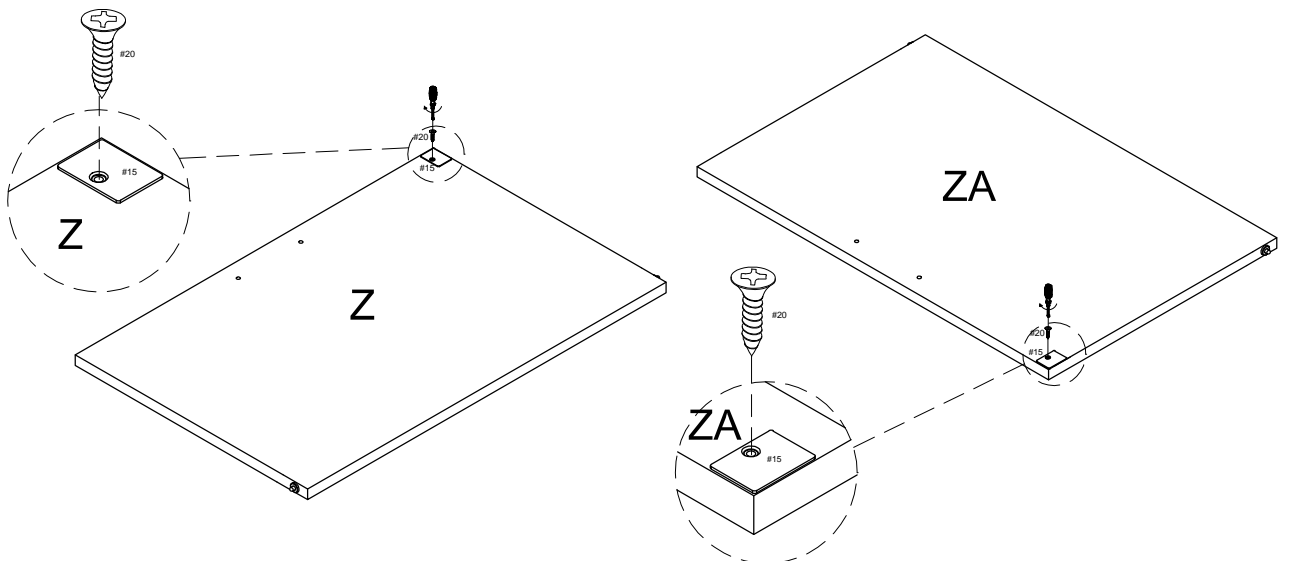
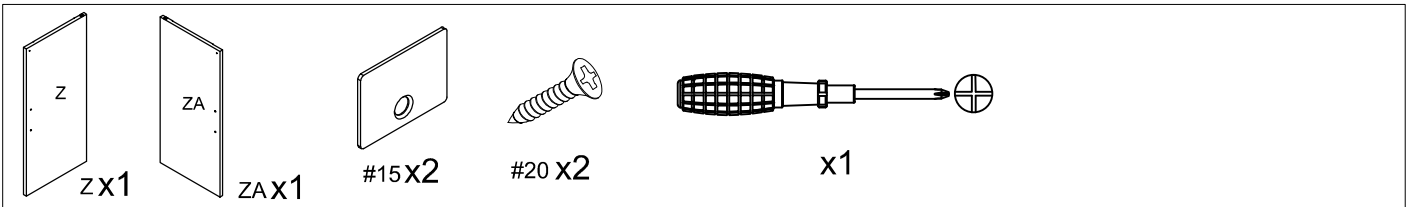


Step 25.

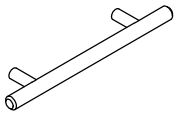


The shelf can be adjusted up and down with three heights.

Step 26.



Step 27.



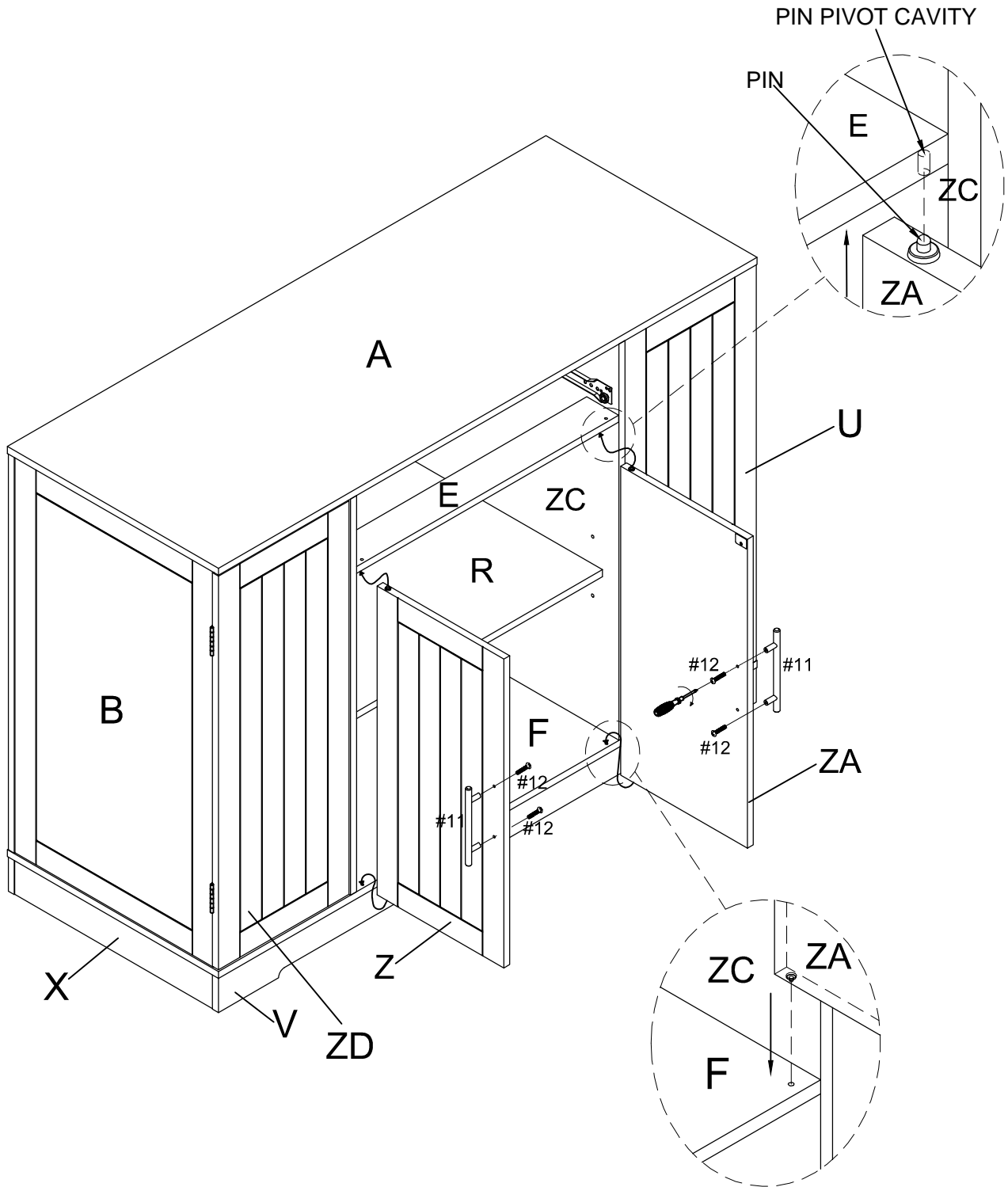
#11x2



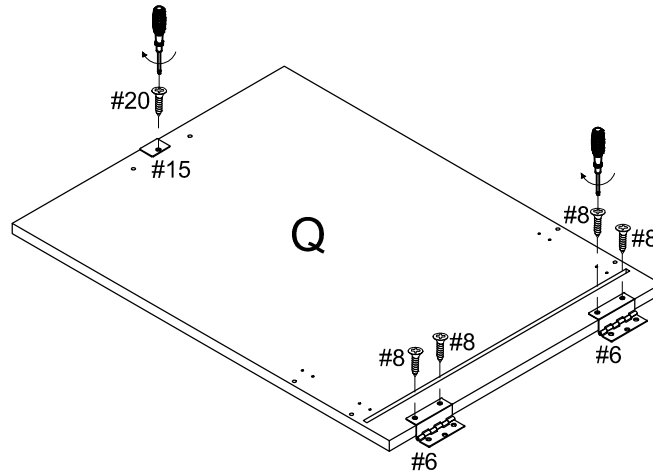
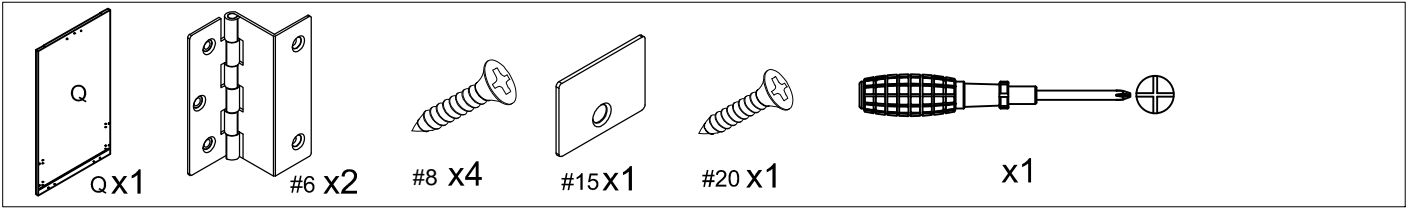
#12x4



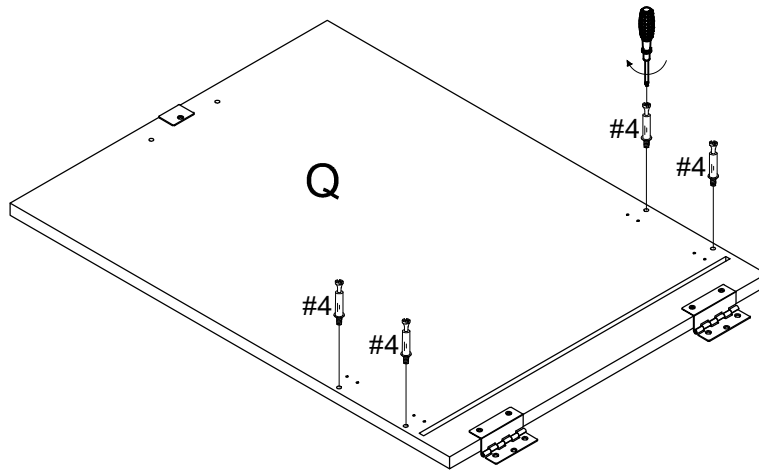
x1



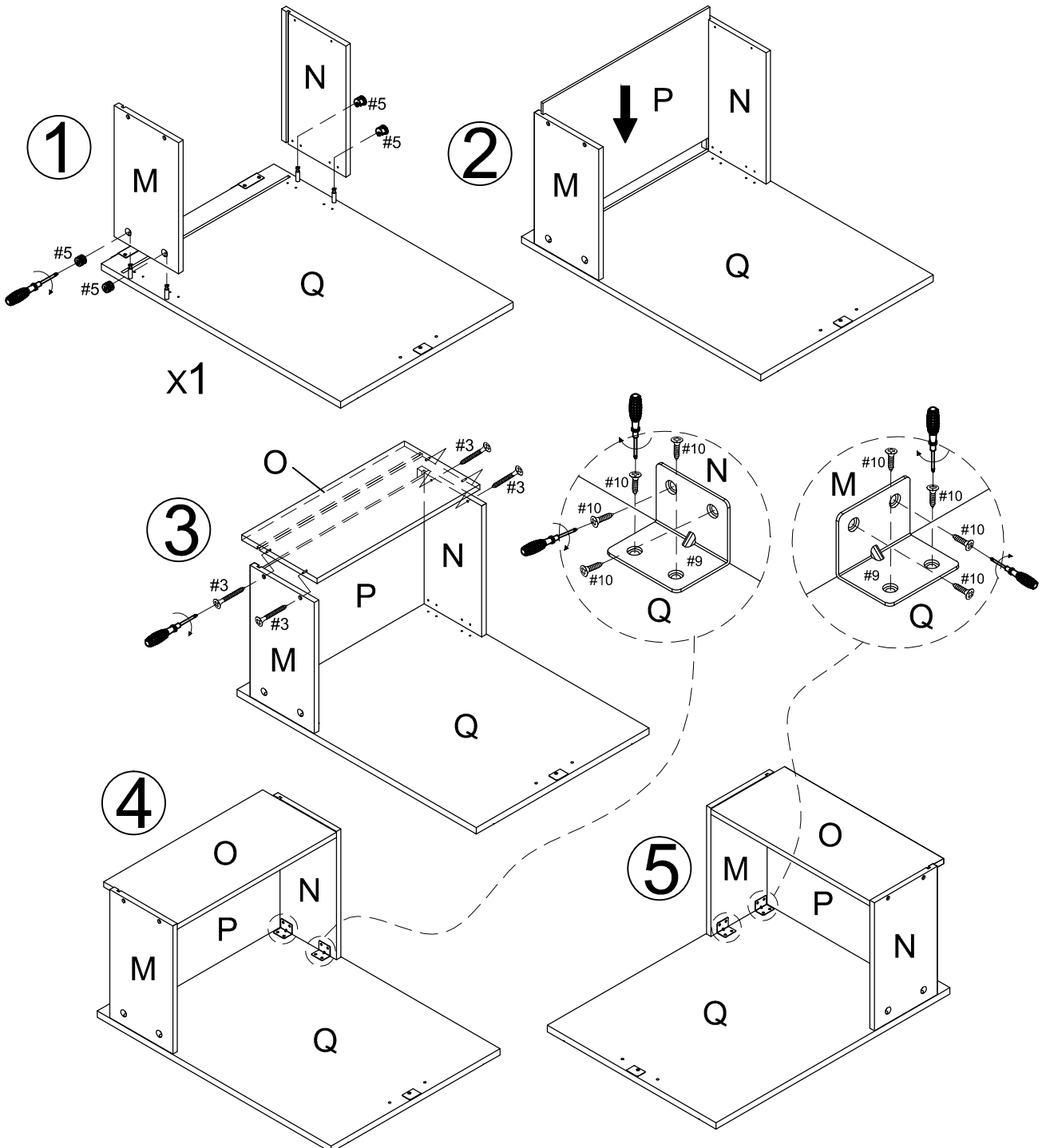
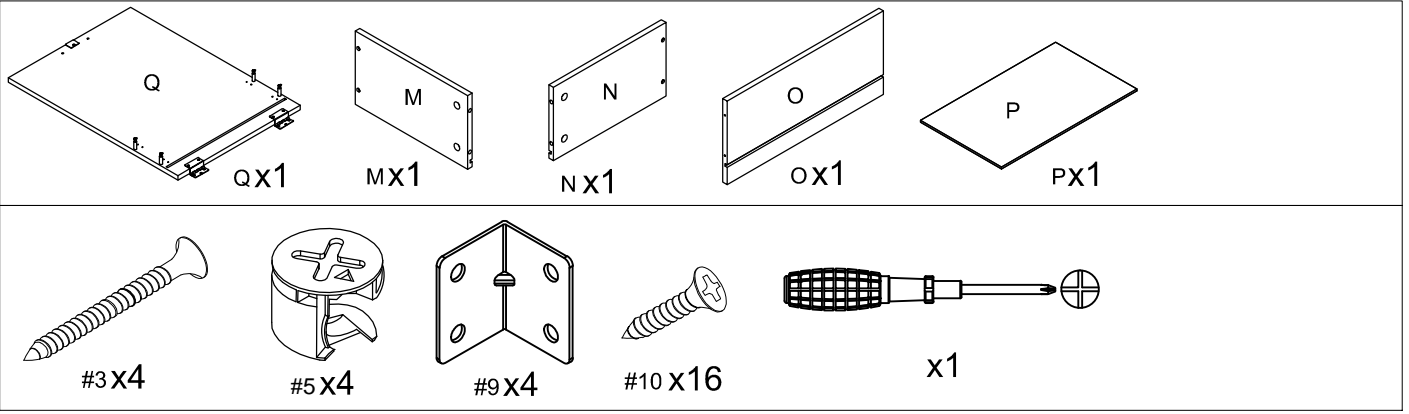
Step 28.



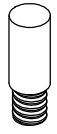
Step 29.



Step 30.



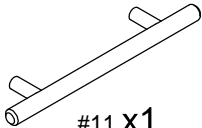
Step 31.



#1 X2



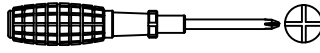
#8 X6



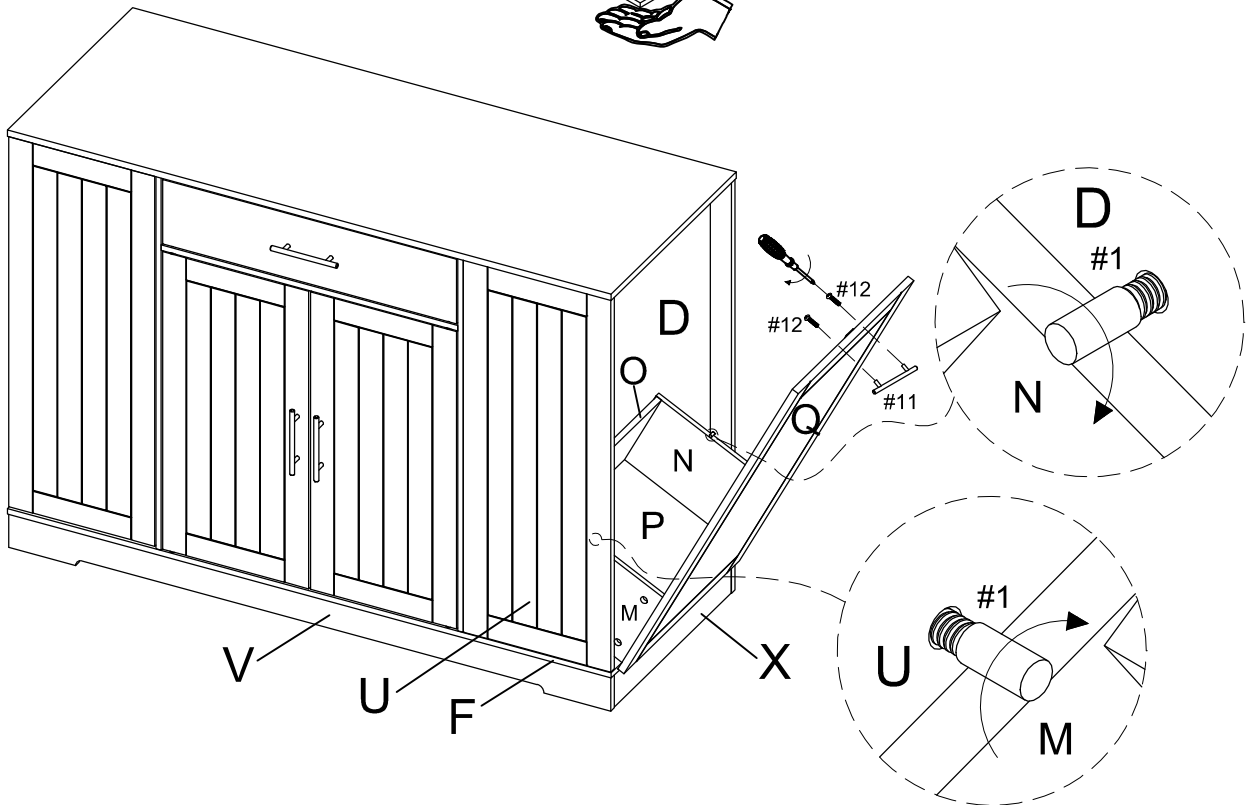
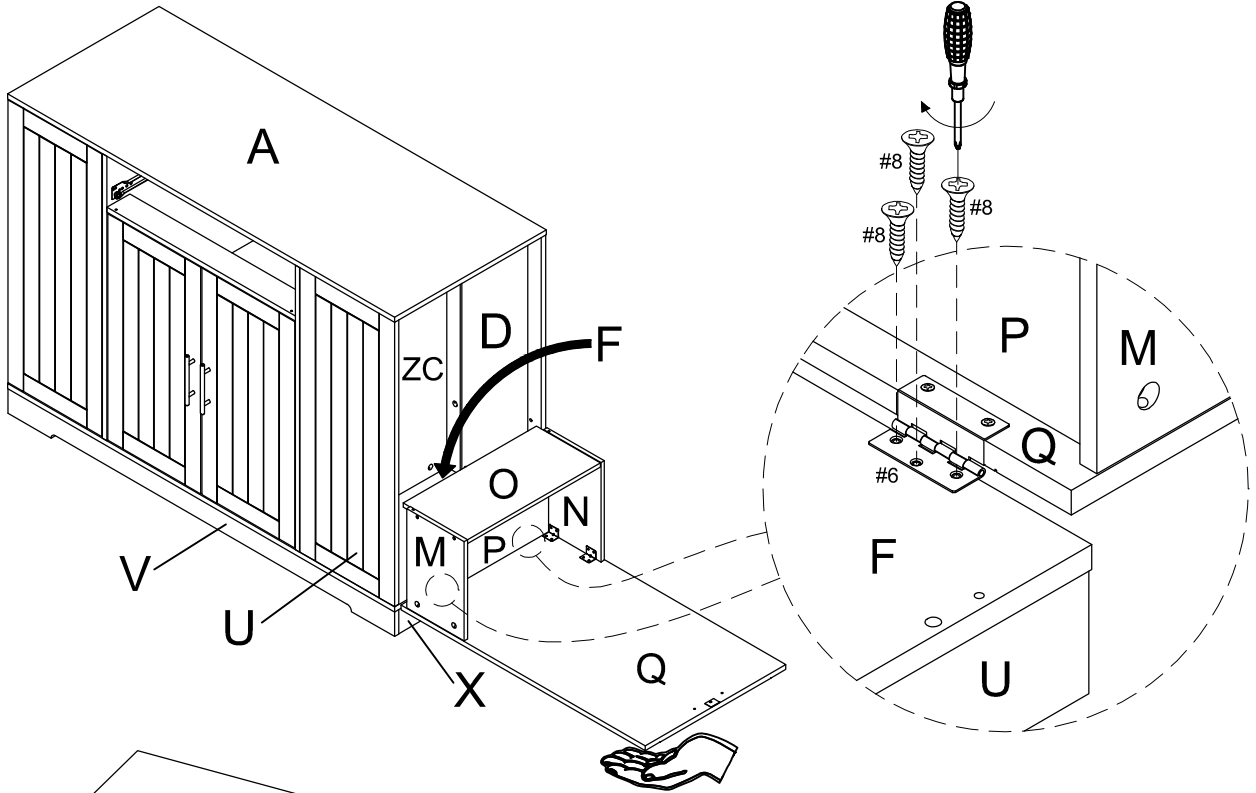
#11 X1



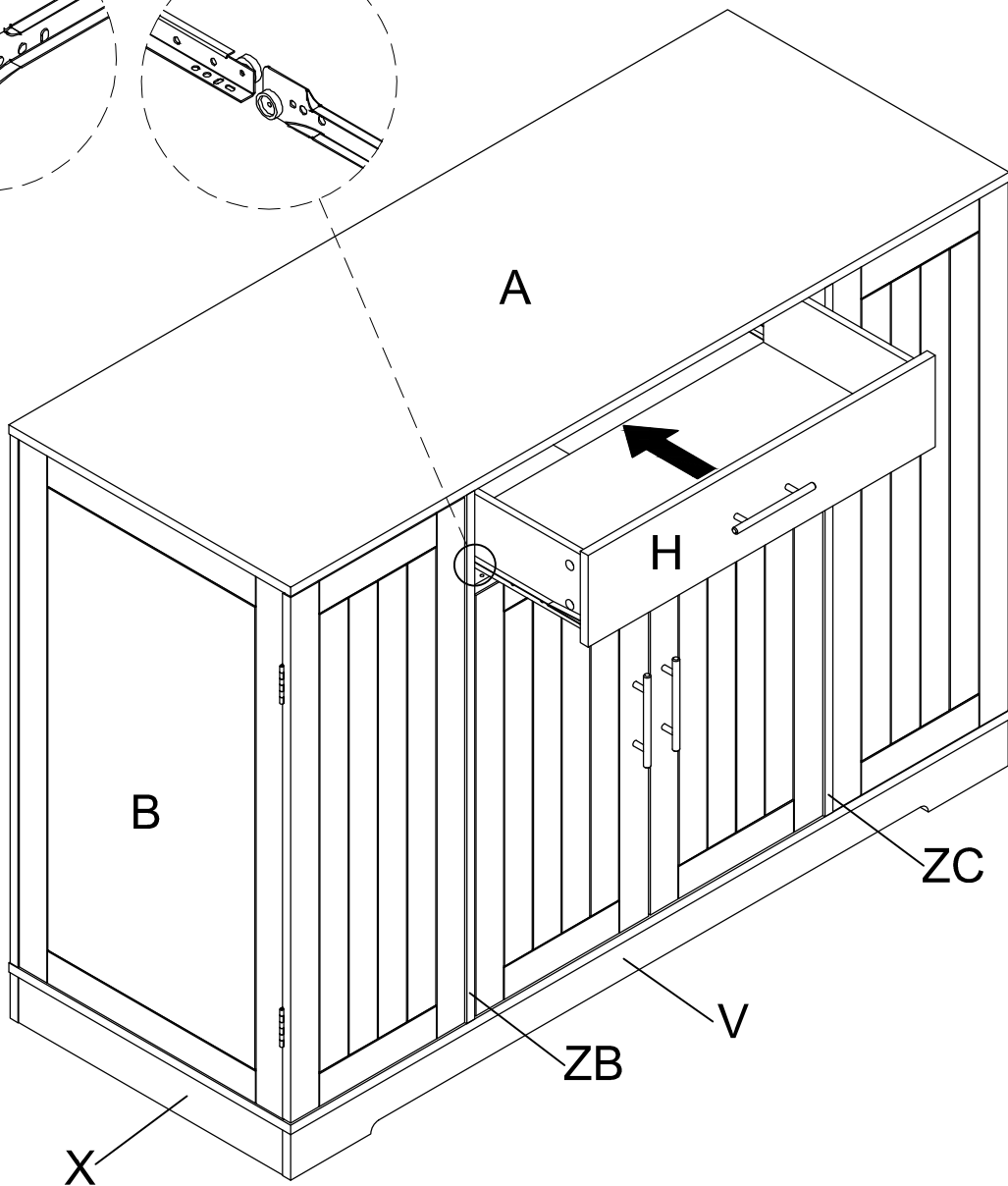
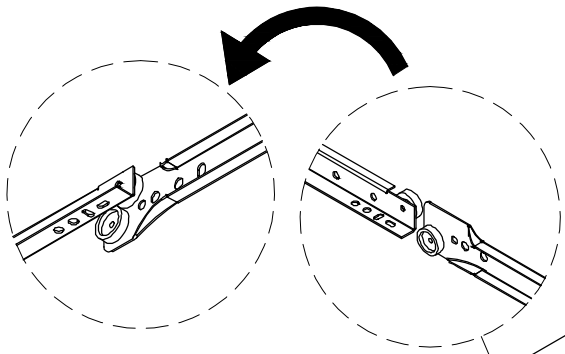
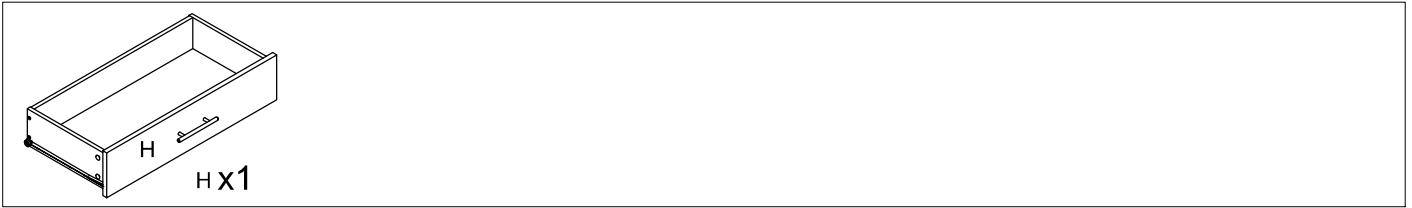
#12 X2



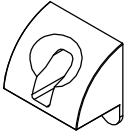
x1



Step 32.



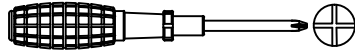
Step 33.



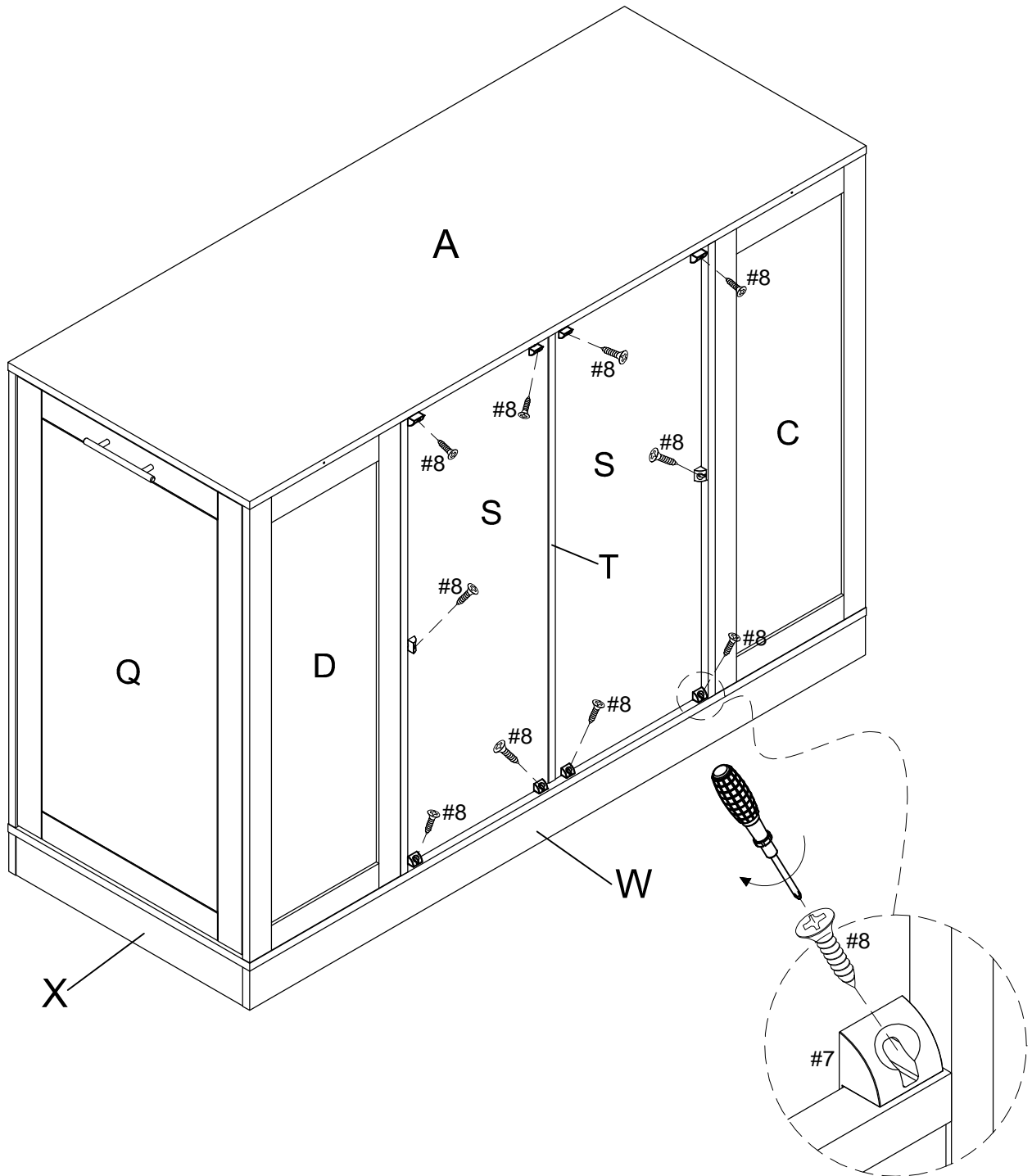
#7 x10



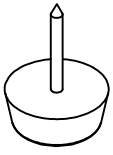
#8 x10



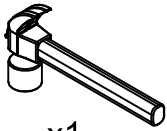
x1



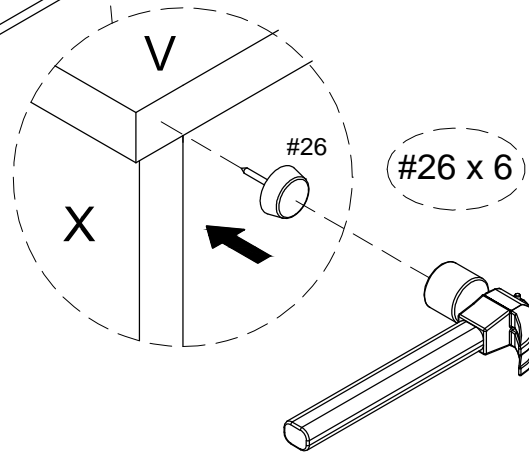
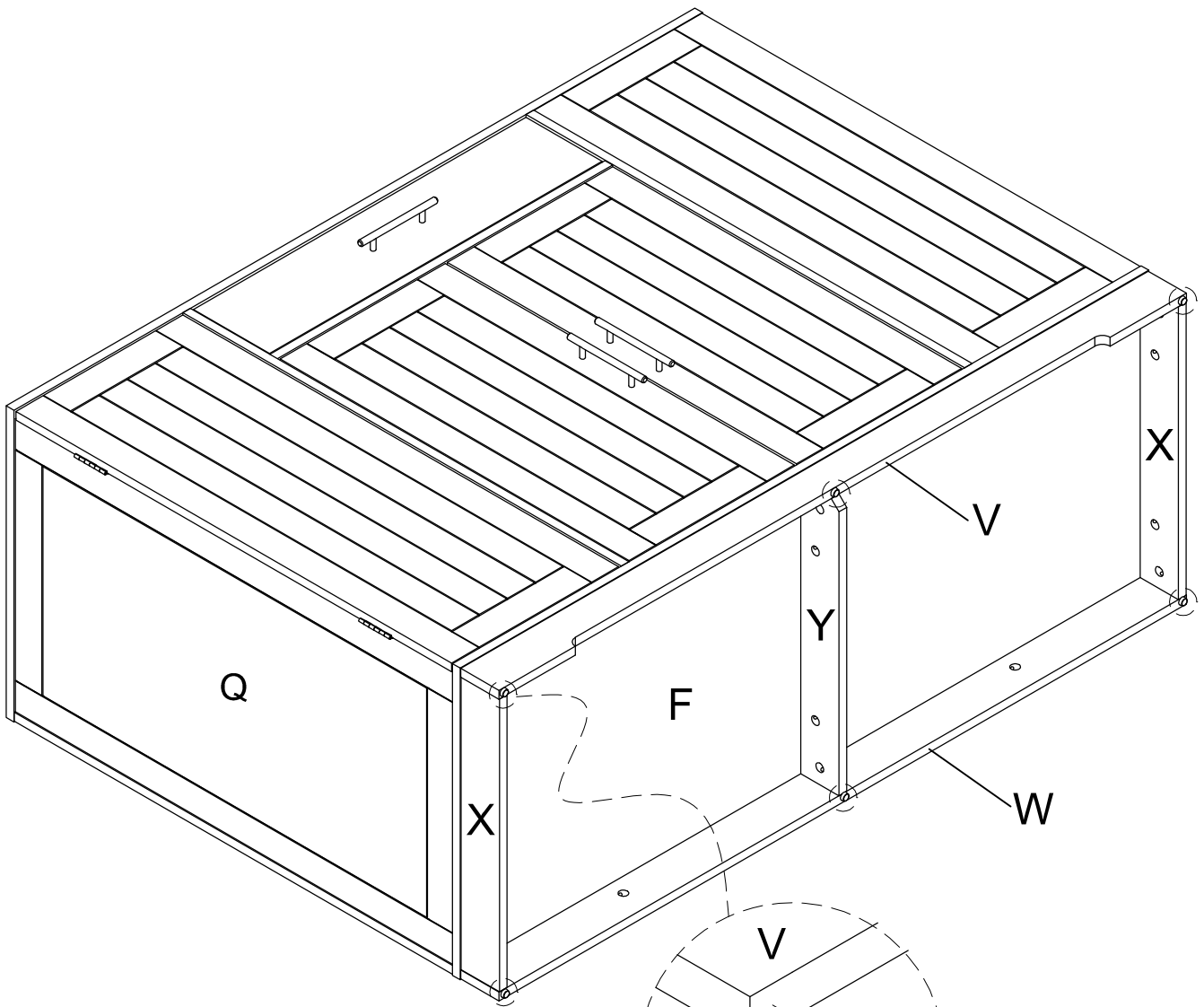
Step 34.



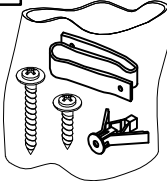
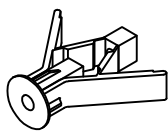

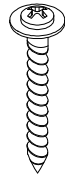
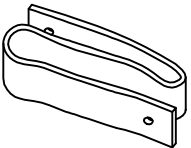
#26 x6

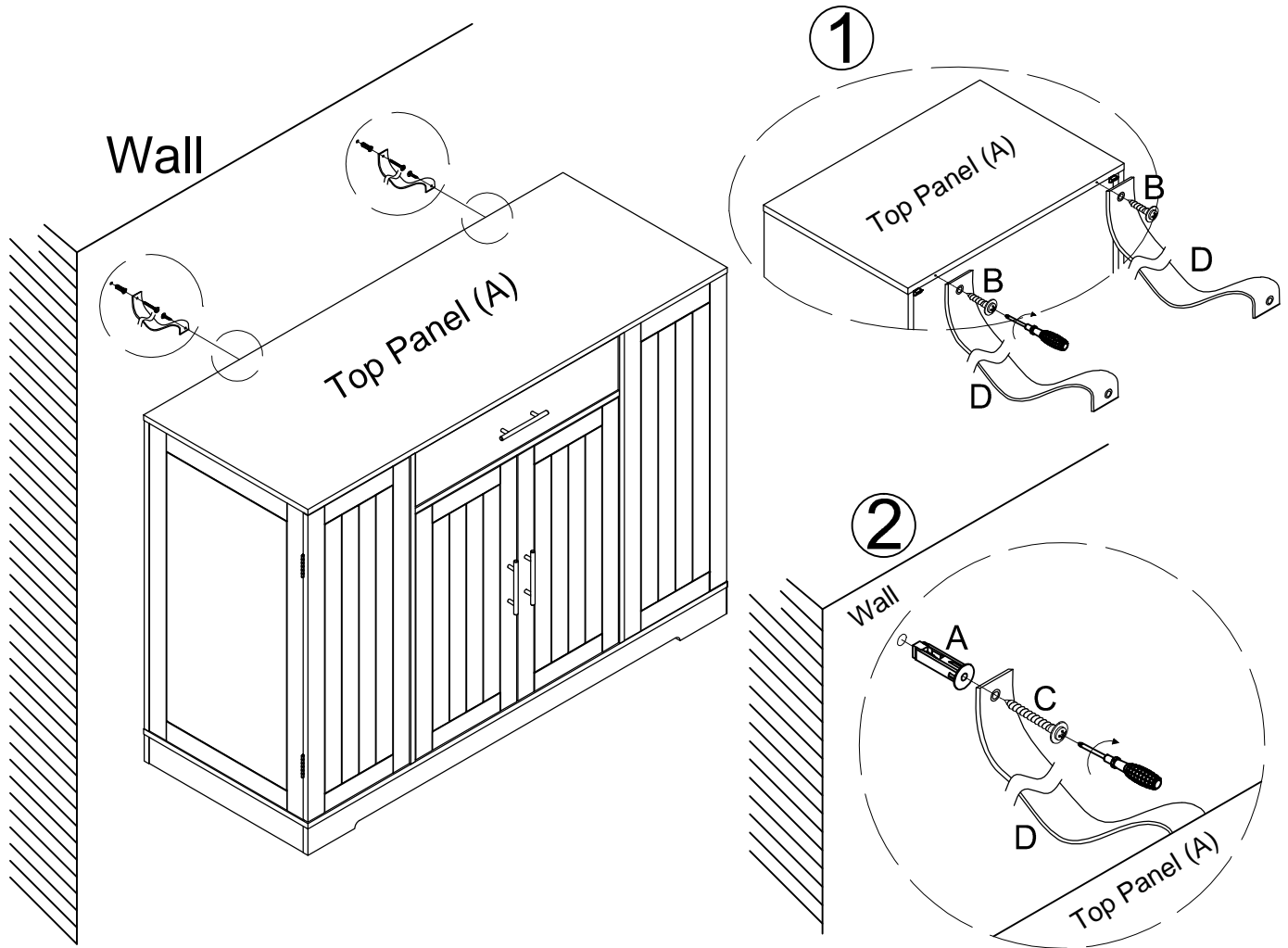


x1



Step 35.

<p>#25</p> 	<p>A</p> 	<p>B</p>  <p>D8*3/4"</p>	<p>C</p>  <p>D8*1-1/2"</p>	<p>D</p> 
<p>Safety Strap Kit</p> <p>2 SET</p>	<p>Wall Anchor</p> <p>2 PCS</p>	<p>Short Screw</p> <p>2 PCS</p>	<p>Long Screw</p> <p>2 PCS</p>	<p>Safety Wall Strap</p> <p>2 PCS</p>



SAFETY WALL STRAP INSTALLATION

Install the safety strap to prevent tip-over which can cause damage and/or injury.

1. Insert Short Screw (B) and Safety Strap (D) to screw onto the Back edge of Top Panel (A). Use a Phillips screwdriver to drive (B).
2. At the location where you want to secure the unit, drill a hole to fit Wall Anchor (A) snugly. The drilled hole has to level with safety strap on the back edge of (A).
3. Next, fit Wall Anchor (A) into the drilled hole.
4. Insert Long Screw (C) and Safety Strap (D) to screw into Wall Anchor (A). Use a Phillips screwdriver to drive (C).

The assembly of the buffet unit is complete.