



# **USER GUIDE & ASSEMBLY INSTRUCTIONS**



# IMPORTANT SAFETY INSTRUCTIONS



Read these instructions carefully and retain them for future use. If this product is passed to a third party, then these instructions must be included.

When using the product, basic safety precautions should always be followed to reduce the risk of injury including the following:

- This product must be assembled by an adult.
- Keep children and pets away while assembling the product.
- Do not let children climb on or play with the product.
- Always use the product on firm, level ground.
- Do not use this product if any parts are missing, damaged, or worn.
- To avoid scratching the floor, assemble the product on a soft surface, such as a carpet.
- Do not over-tighten the fasteners.
- Regularly examine the product for wear and tear. Stop using the product at the first sign of damage or if parts become detached.
- Do not use power tools to assemble the product. Power tools may strip or damage the parts.
- Do not stand on the seat.
- Do not sit on the armrest.
- Keep all sharp objects away from the upholstery.
- Do not hang anything on the product.

## 2. Assembly

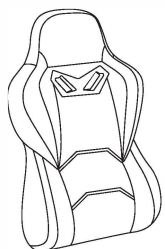
- For additional illustrated assembly steps, refer to the end of the written instructions.

## 3. Before First Use

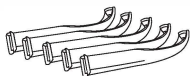
- **Suffocation Hazard:** Packaging materials and small components such as screws, bolts, and other fasteners can pose a suffocation hazard. Always keep these parts out of reach of children and pets during assembly and ensure they are securely fastened to the product to prevent them from becoming loose over time.
- **Children's Safety:** Never leave children unattended with the chair. Teach children not to play with the chair, as it is not a toy. Climbing on the chair or playing with its moving parts can lead to falls or injuries. Additionally, ensure the chair is adjusted to a safe and appropriate height for children's use to prevent their feet from dangling, which can cause discomfort or pressure.
- **Pet Safety:** Be mindful of pets around your chair products. Pets, particularly those with a tendency to chew or claw, can damage the chair or even ingest small parts, leading to potential injury or health issues. Consider using protective covers or deterrents if your pets are known to chew on furniture.
- Remove all the packing materials.
- Review all components before assembly. Check the product for transport damages.
- Wear gloves while assembling your chair.

# IT'S TIME TO UPGRADE YOUR CHAIR!

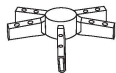
## CHAIR PARTS



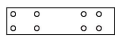
BACK



BASE LEG



CENTRAL BASE



METAL PLATE



GAS LIFT



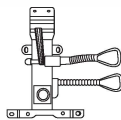
WHEEL



SEAT



ARMREST



CONTROL MECHANISM



FOOTREST CUSHION

## HARDWARE



TILTING BOLT  
M6/20 X4



PLATE - TILTING  
M8/20 X4



ARMREST BOLT  
M8/30 X4



PLATE - BACKREST  
M8/25 X4



BASE BOLT  
M6/14 X10



FOOTREST BOLT  
M6/25 X2



BOLT CAP X4



ALLEN KEY

We recommend keeping your Allen key for future maintenance.

## ACCESSORIES

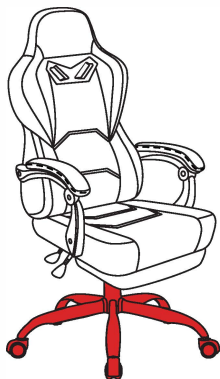


HEAD CUSHION

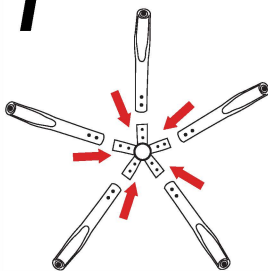


LUMBAR SUPPORT

## STEP 1. BASE

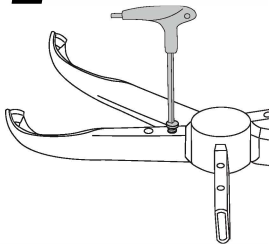


1



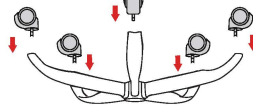
Insert the base legs into the central base, ensuring that the bolt holes are properly aligned and facing upward.

2



Secure with bolts. Make sure to fully tighten all 10 bolts.

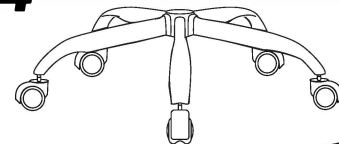
3



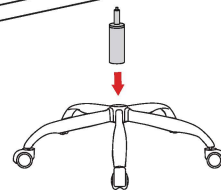
**Ouch!** Be careful not to get your hands caught in the gap.

Insert each wheel into the base leg while the base is still upside down.

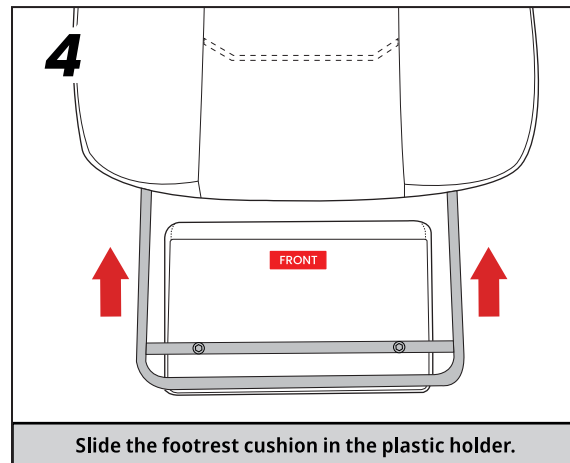
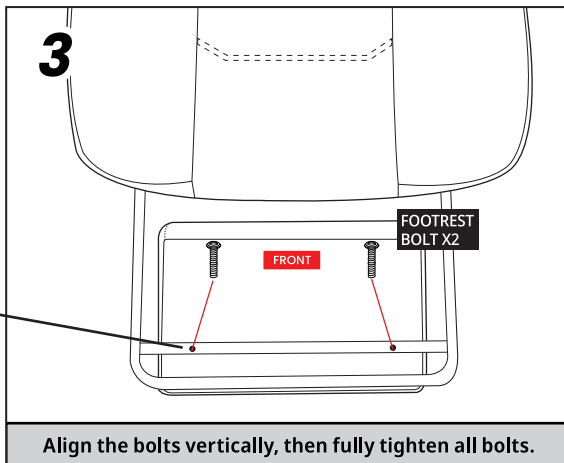
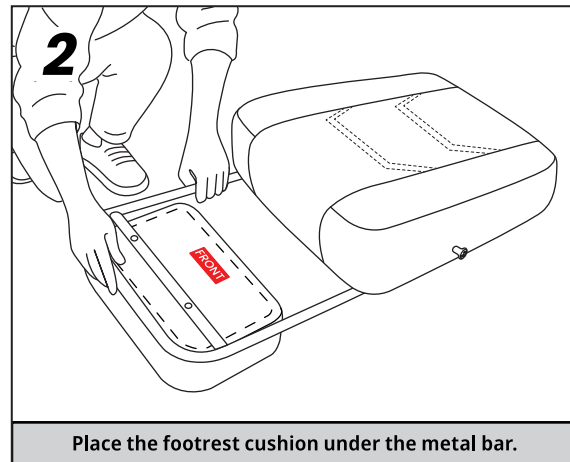
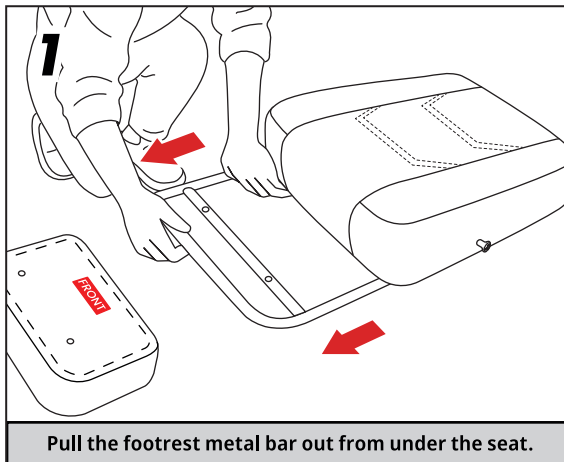
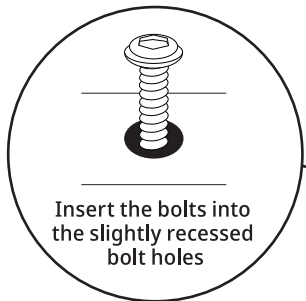
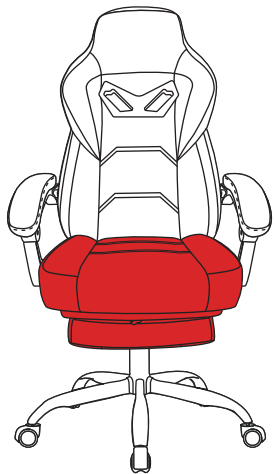
4



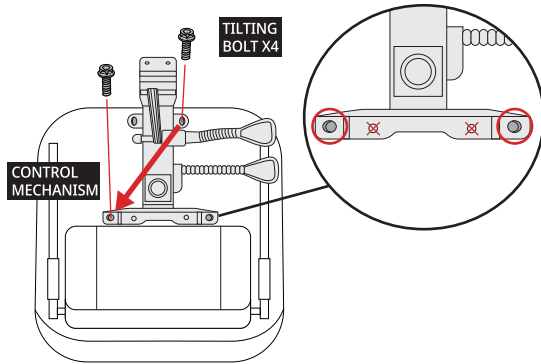
5



**STEP 2. SEAT + FOOTREST**

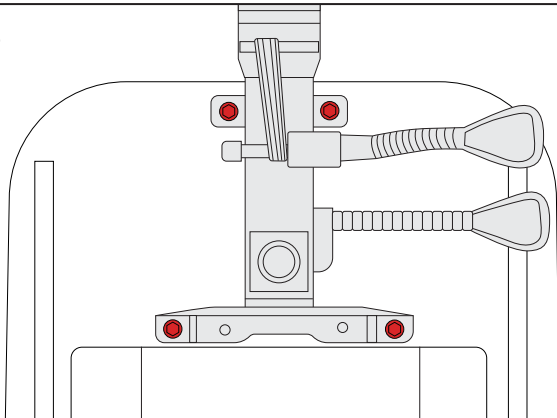


**5**



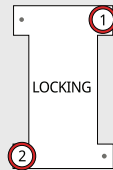
Align the control mechanism with the bolt holes.  
Under-tighten the bolts in a diagonal order first.

**6**

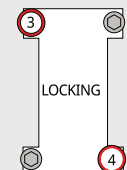


Fully tighten them using the included Allen key.

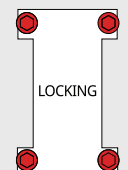
## TILTING ASSEMBLY SEQUENCE



ASSEMBLY OF BOLTS 1 AND 2

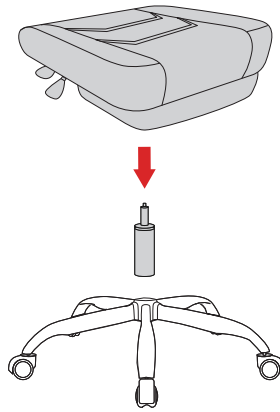


ASSEMBLY OF BOLTS 3 AND 4

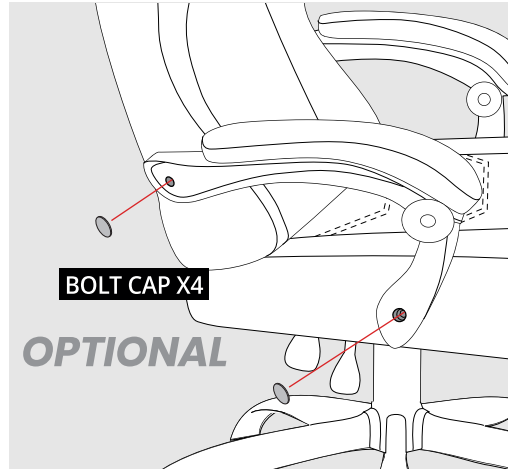
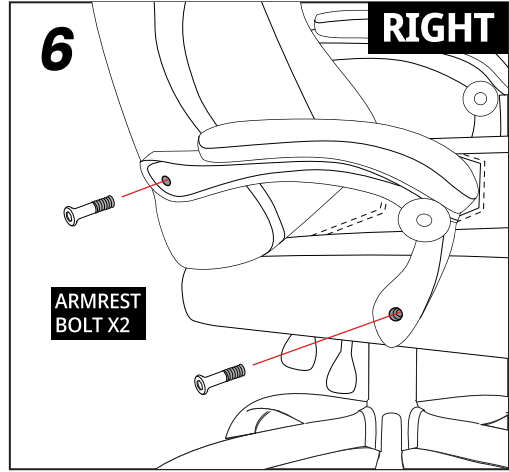
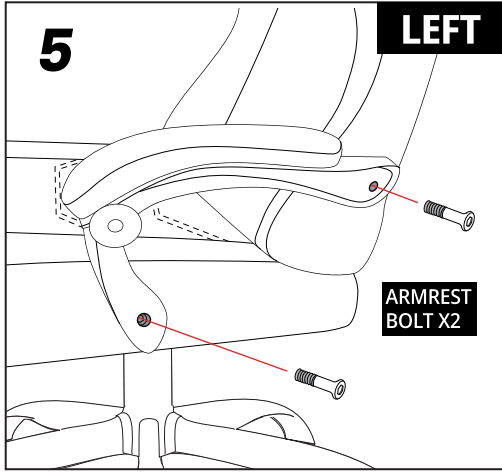
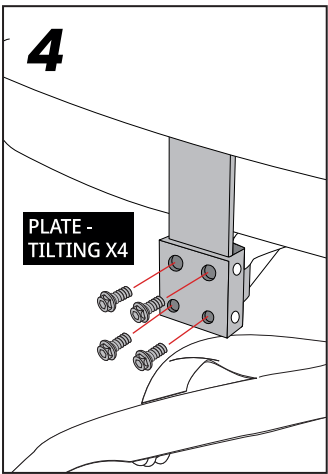
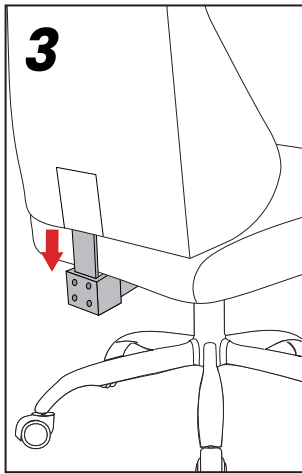
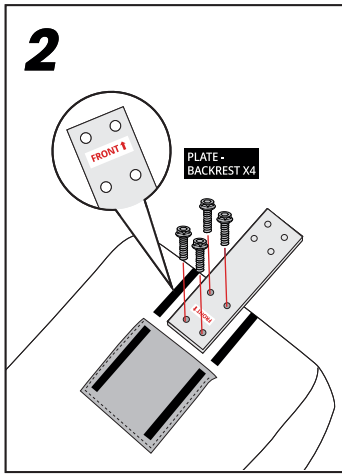
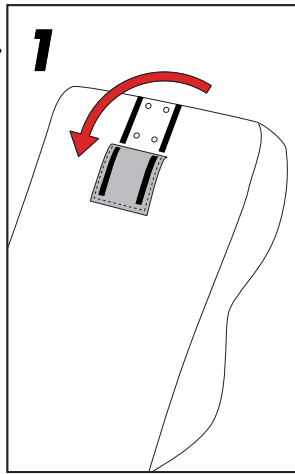
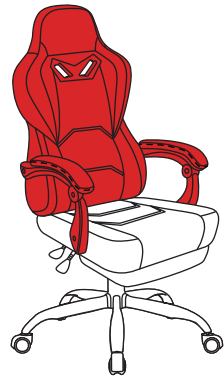


TIGHTEN ALL FOUR BOLTS

**7**

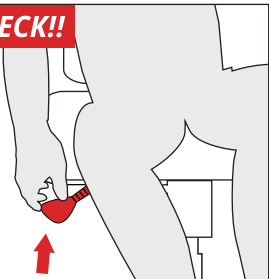


**STEP 3. BACK, ARMREST**



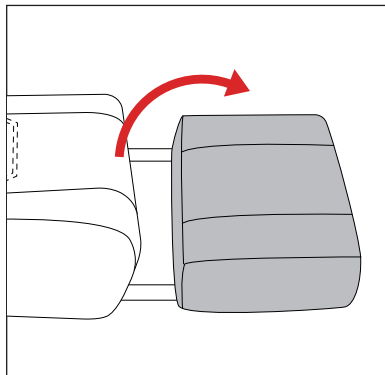
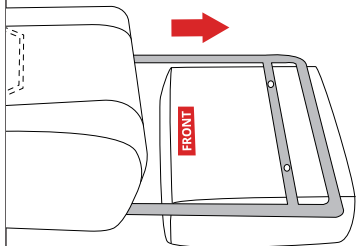
# USER GUIDE

**CHECK!!**



If the **CONTROL MECHANISM** is properly installed, it should be on your **RIGHT**.

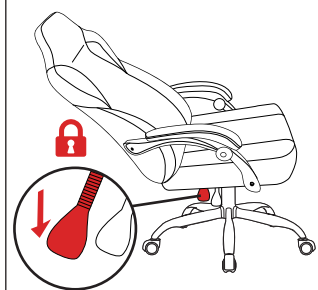
**RETRACTABLE FOOTREST**



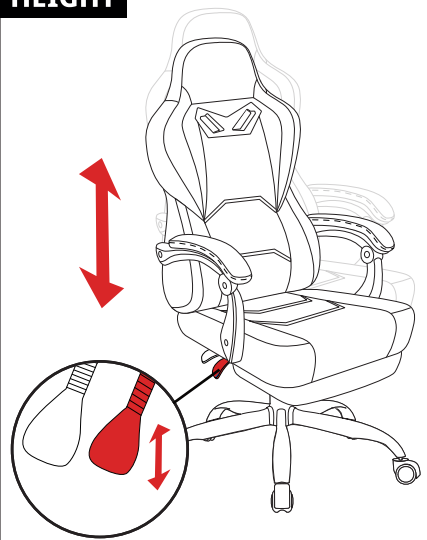
**RECLINE**



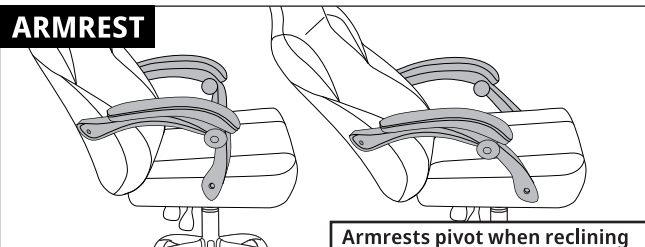
**LOCKING**



**HEIGHT**



**ARMREST**



Armrests pivot when reclining

**NOTICE!**



Do not press the armrests hard when standing up, as this may damage the product.

**HEAD CUSHION, LUMBAR SUPPORT**

