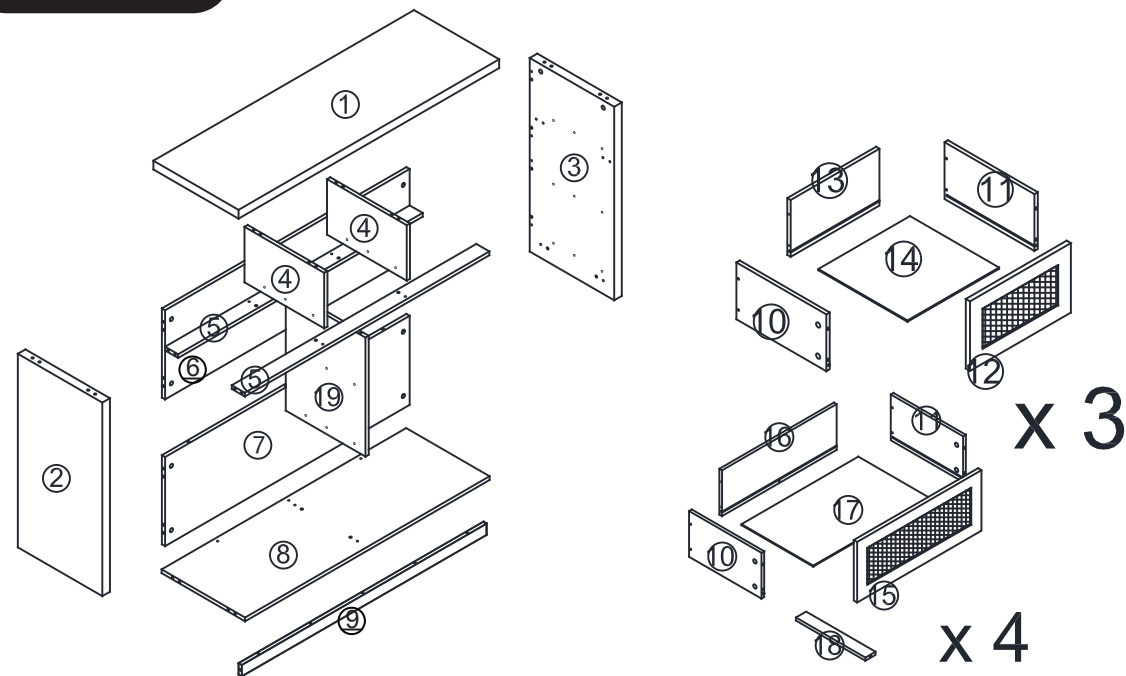
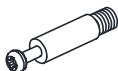










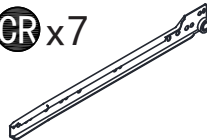
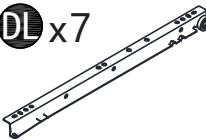
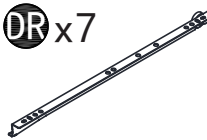


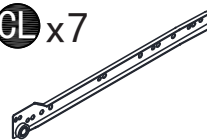


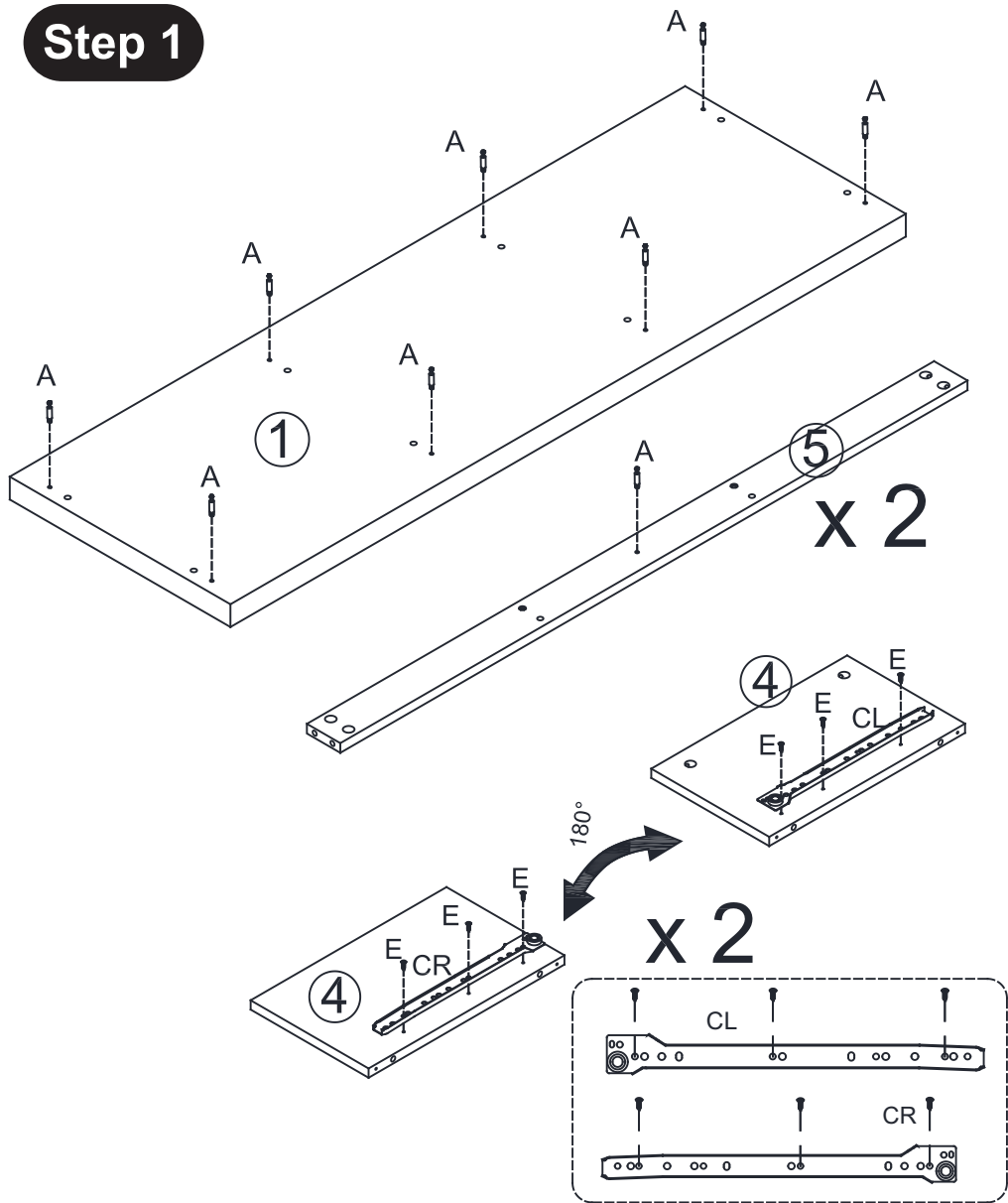
Parts list



Hardware list

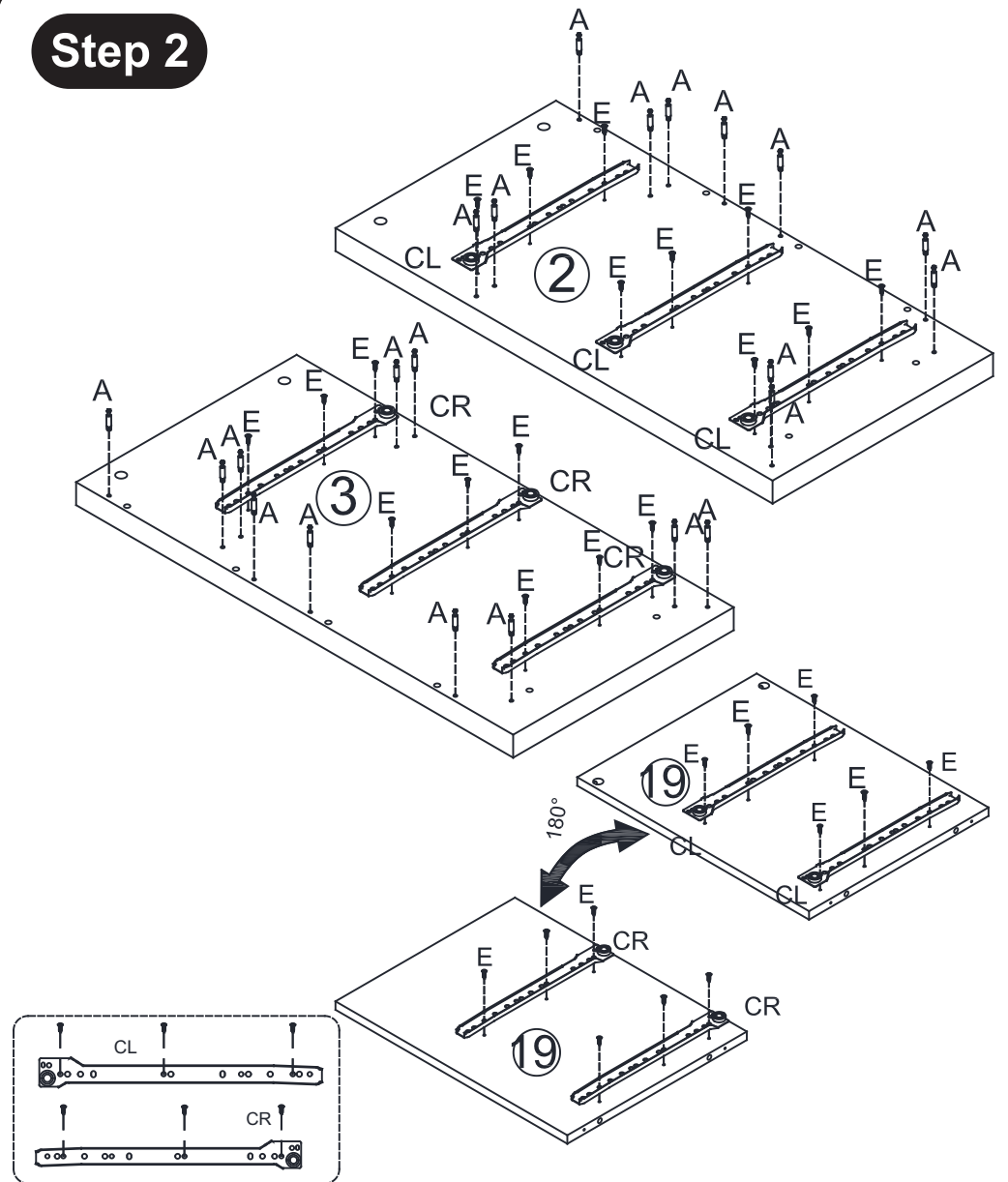
A x67 	B x67 	C x31 $\phi 8 \times 30 \text{MM}$ 	D x41 $\phi 4 \times 35 \text{MM}$ 	E x98 $\phi 3 \times 12 \text{MM}$ 
F x7 	G x67 	H x2 	  	CR x7 
DL x7 	DR x7 	 	CL x7 	

Step 1



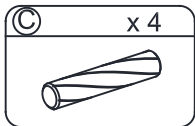
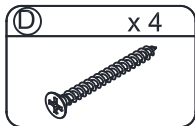
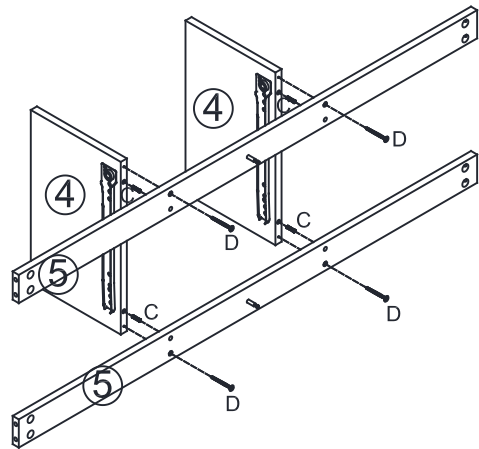
- (A) x 10
- (CL) x 2
- (CR) x 2
- (E) x 12

Step 2

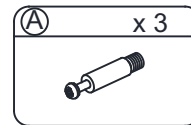
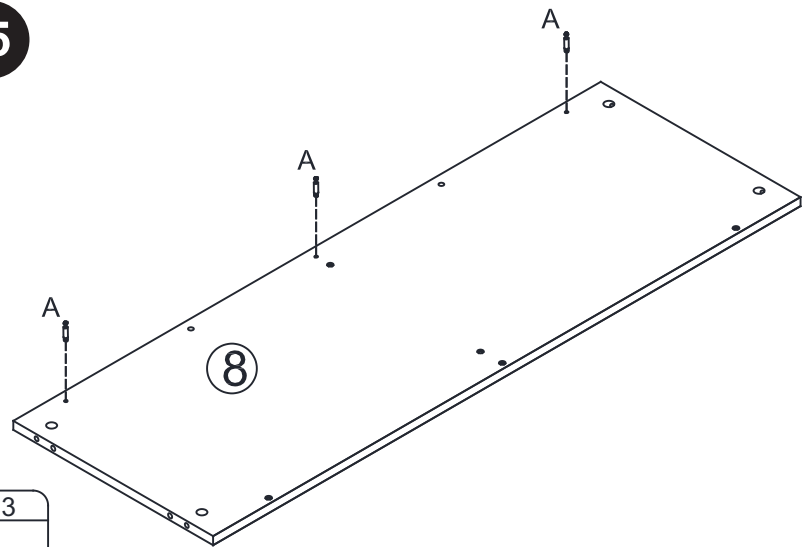


- (A) x 22
- (CL) x 5
- (CR) x 5
- (E) x 30

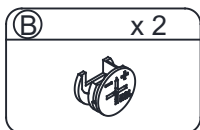
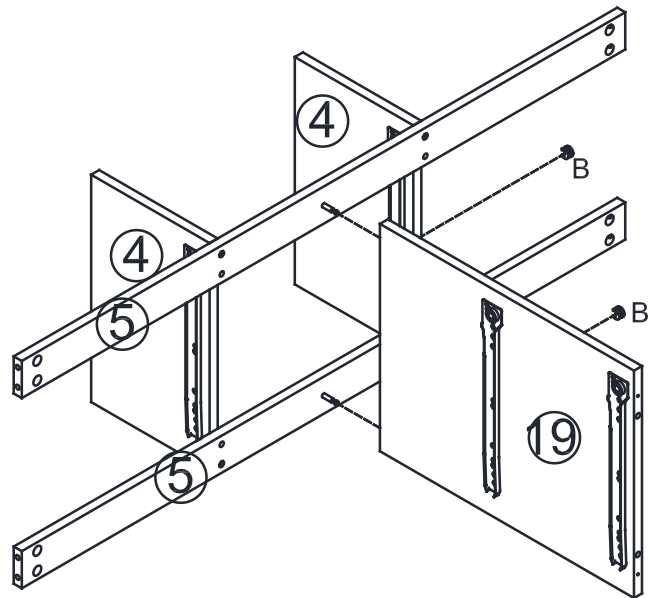
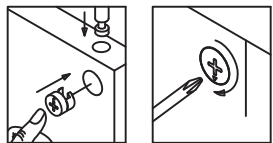
Step 3



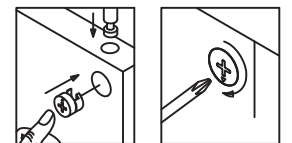
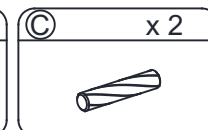
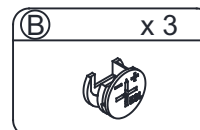
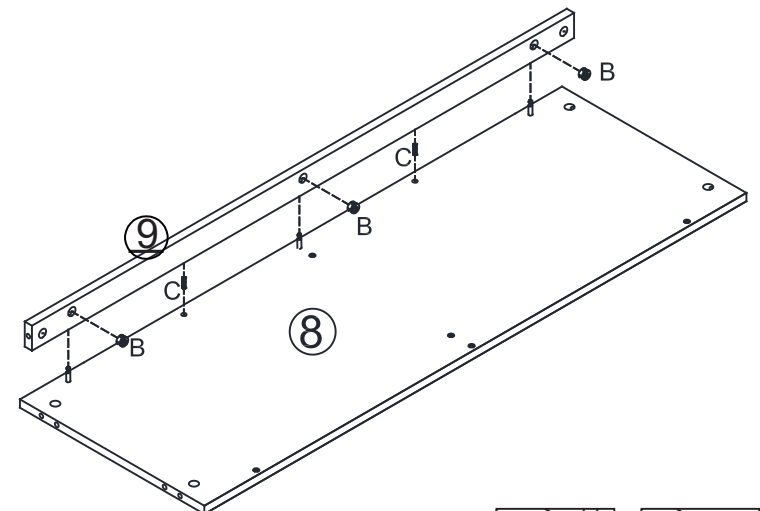
Step 5



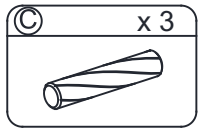
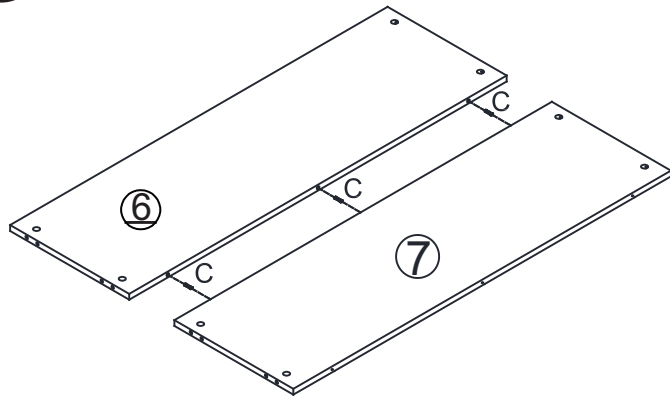
Step 4



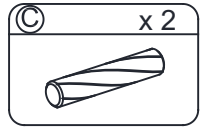
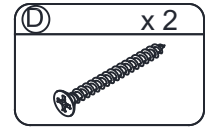
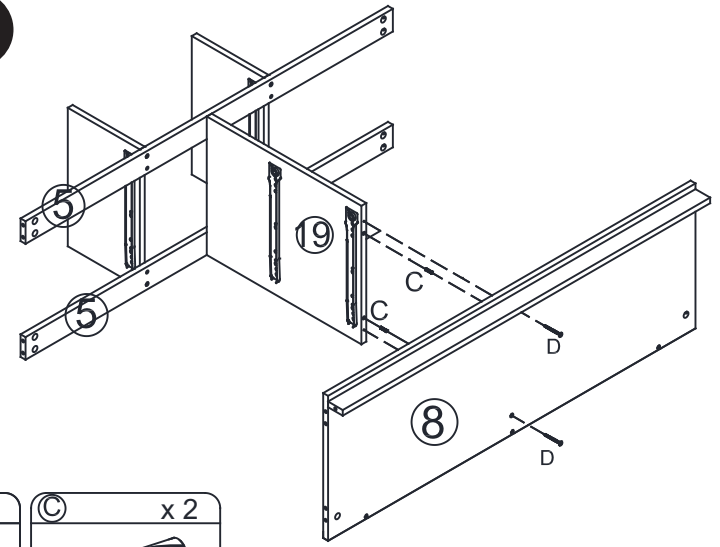
Step 6



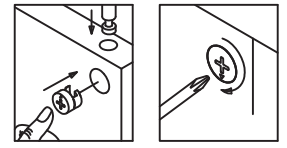
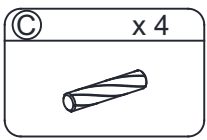
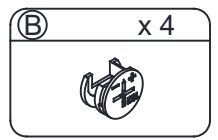
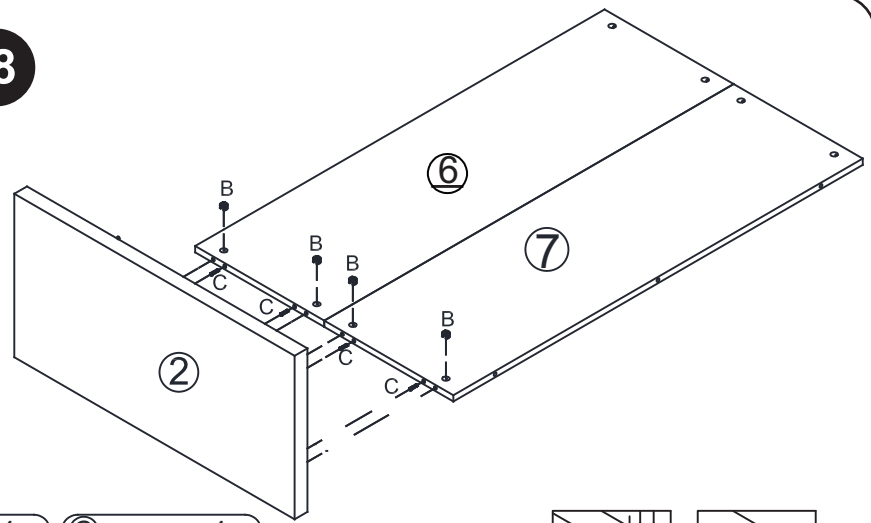
Step 7



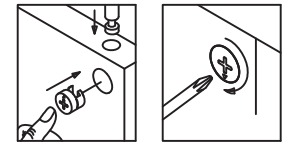
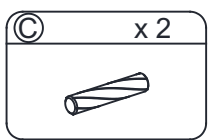
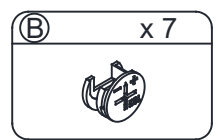
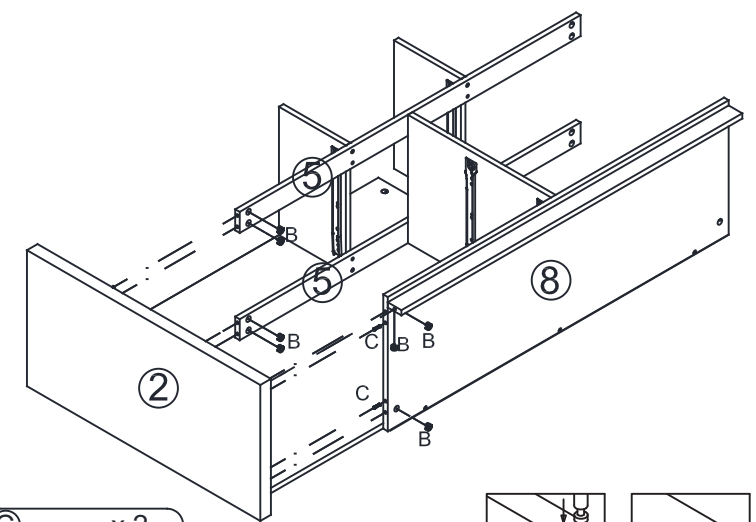
Step 9



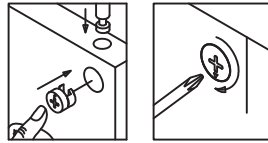
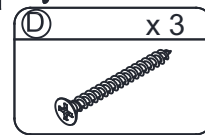
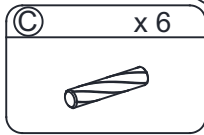
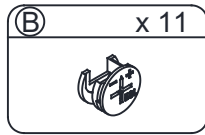
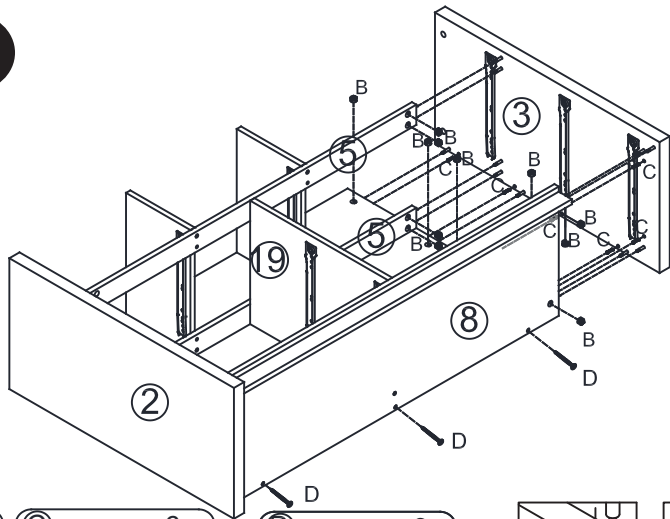
Step 8



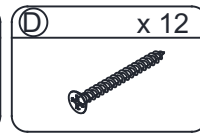
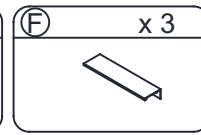
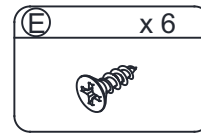
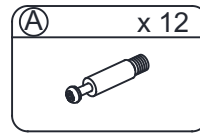
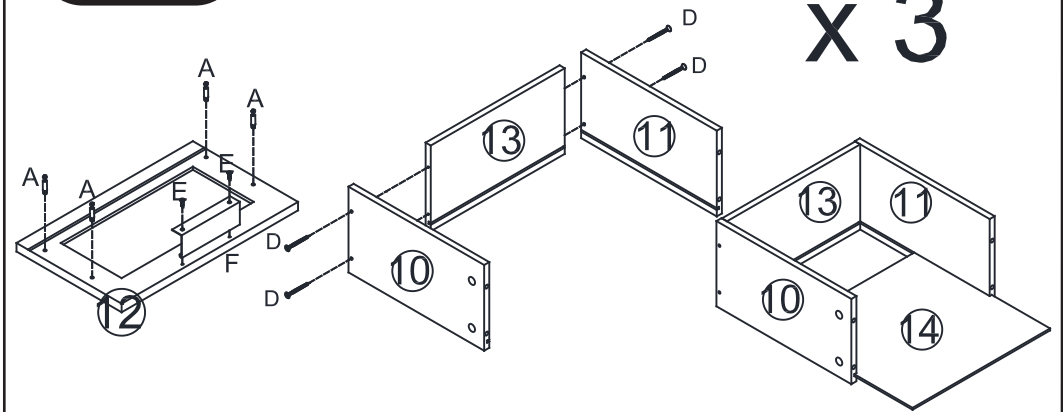
Step 10



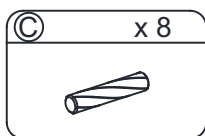
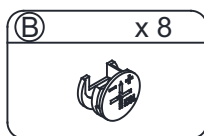
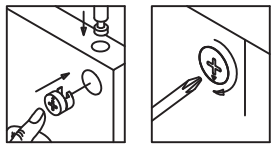
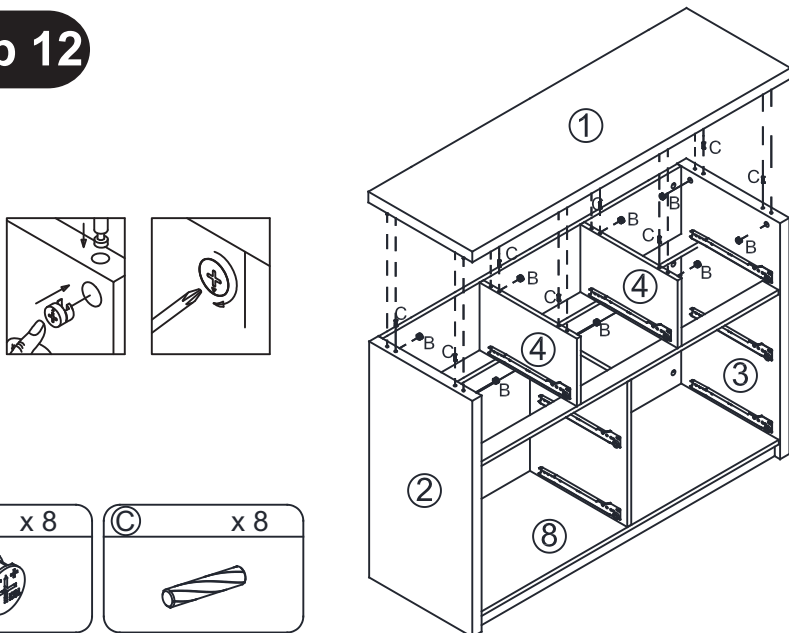
Step 11



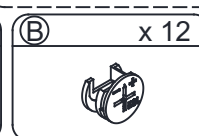
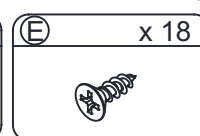
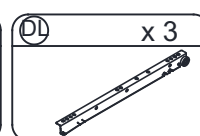
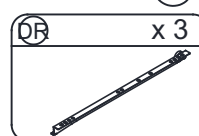
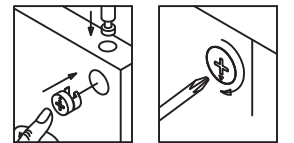
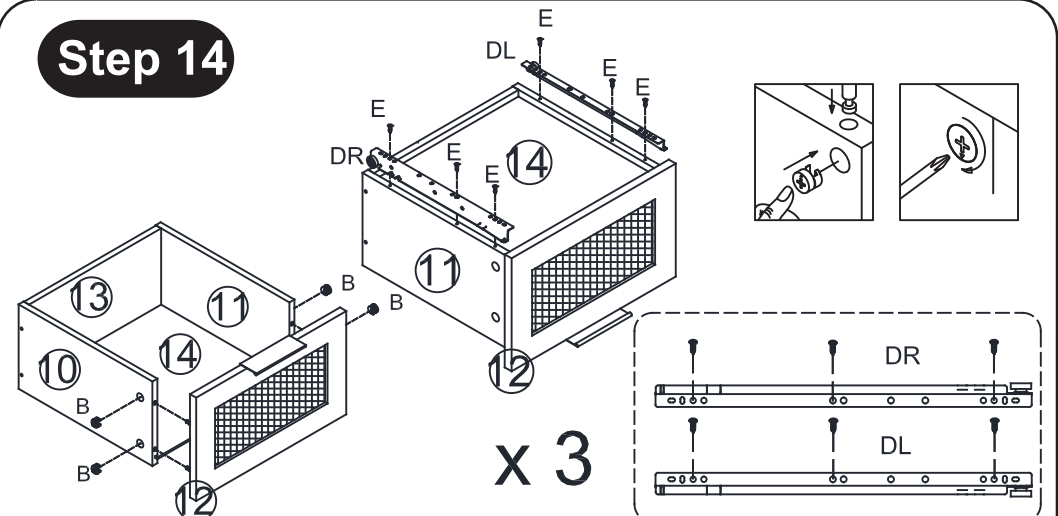
Step 13



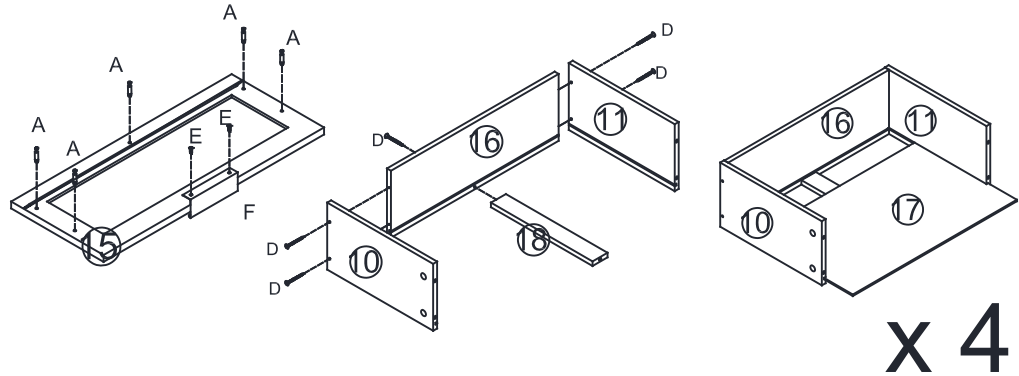
Step 12



Step 14



Step 15



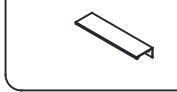
x 4

(A) x 20

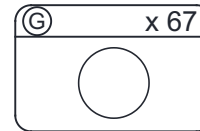
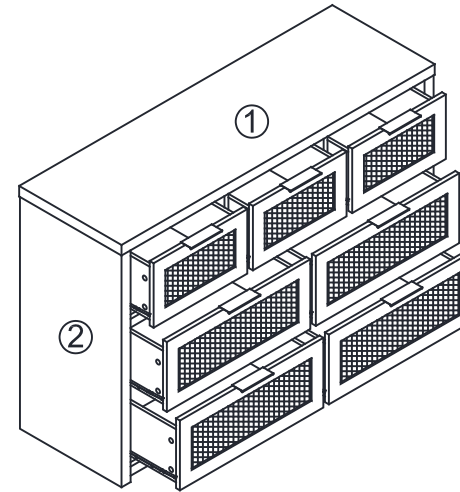
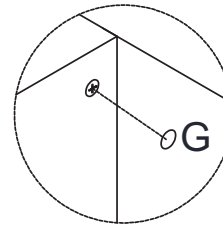
(E) x 8

(F) x 4

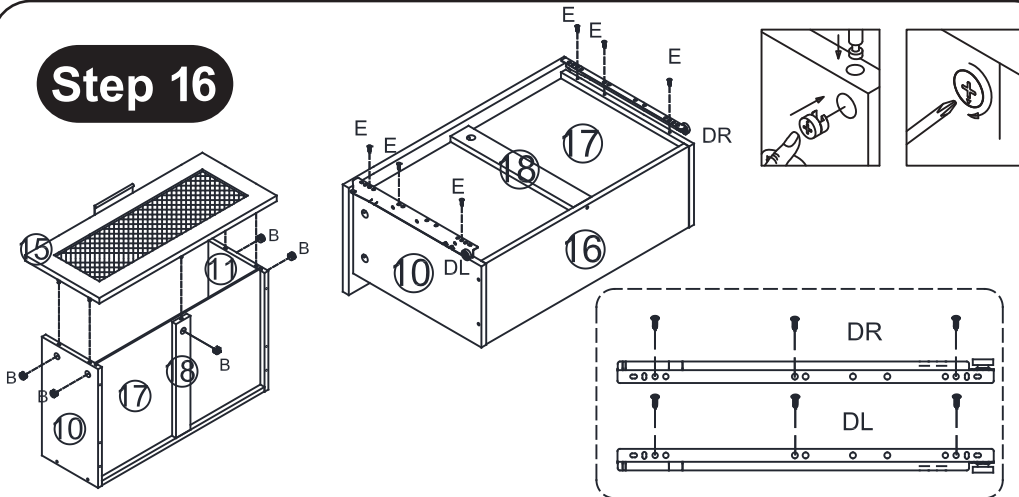
(D) x 20



Step 17



Step 16

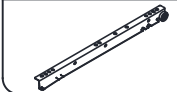


(DR) x 4

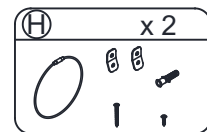
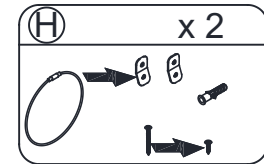
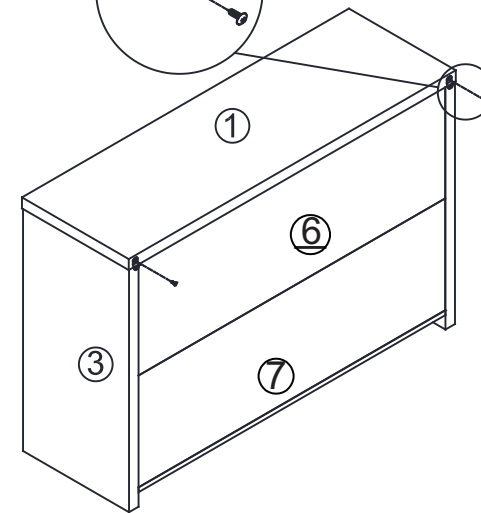
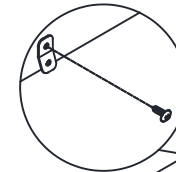
(DL) x 4

(E) x 24

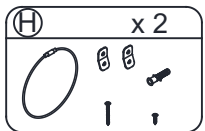
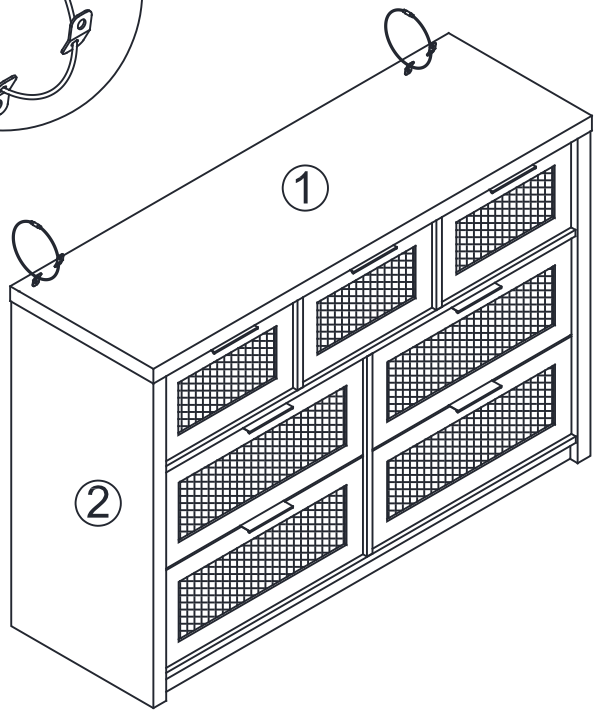
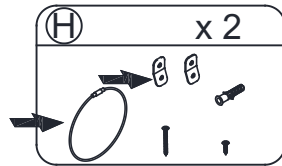
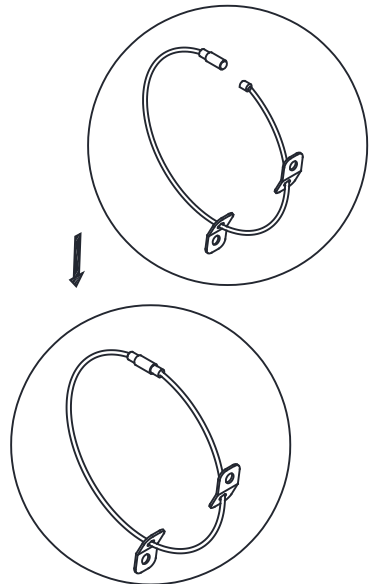
(B) x 20



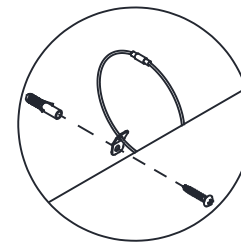
Step 18



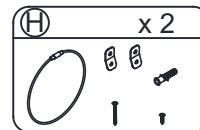
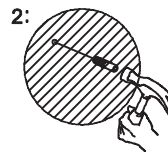
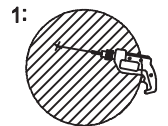
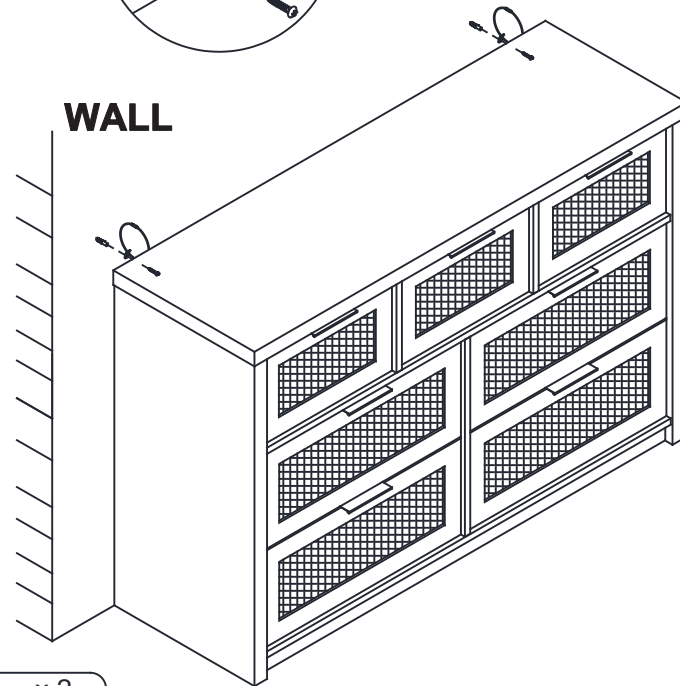
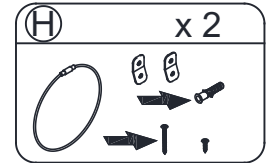
Step 19



Step 20



WALL





WARNING



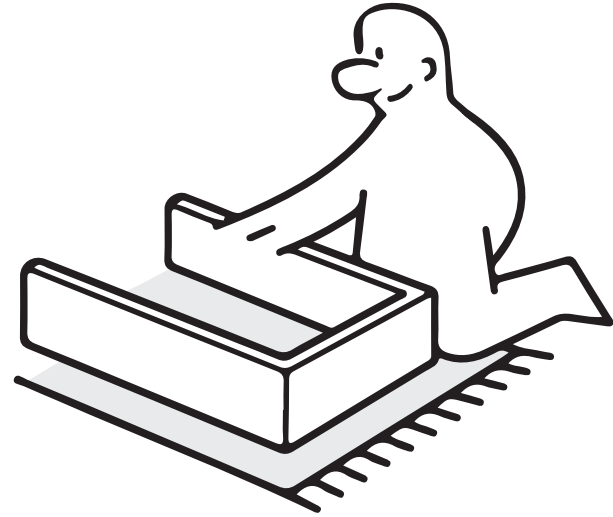
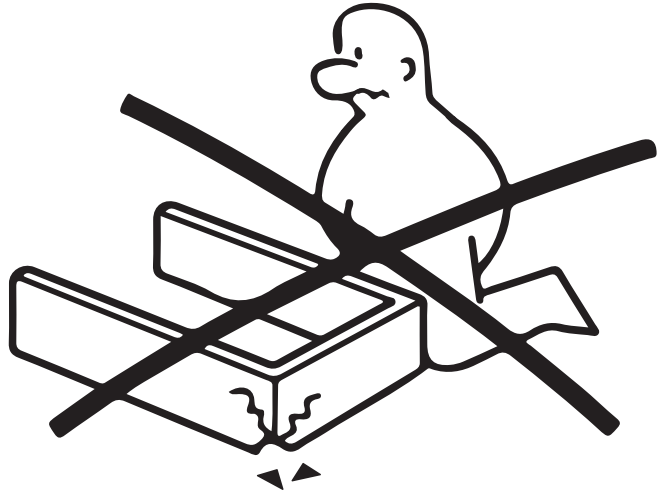
Children have died from furniture tipover. To reduce the risk of furniture tipover:

- **ALWAYS** install Anti-tip device provided.
- **NEVER** put a TV on this product.
- **NEVER** allow children to stand, climb or hang on drawers, doors, or shelves.
- **NEVER** open more than one drawer at a time.
- **Place heaviest items in the lowest drawers.**



*This is a permanent label.
Do not remove!*

※ **Stay Scratch-Free: Safeguard Your Furniture by Assembling on Carpet.**



※ **Stuck in Assembly Limbo? Contact Our Support Team for Quick Solutions!**

