

# HEADBOARD PANEL

Full/Queen Headboard Panel

Examine all packaging material for small parts that may have come loose during shipment. Periodic checks are recommended to insure that all components are in proper position, tight and free from damage. Keep this assembly instruction for future reference. Adult assembly is required.

## HARDWARE LIST

- A (4) Counter Bolts 1/4" x 2-1/4"
- B (4) Allen Bolts 1/4" x 1"
- C (8) Spring Washers 1/4"
- D (12) Flat Washers 1/4"
- E (8) Hex Nuts 1/4"
- F (1) Allen Wrench
- G (1) Hex Wrench

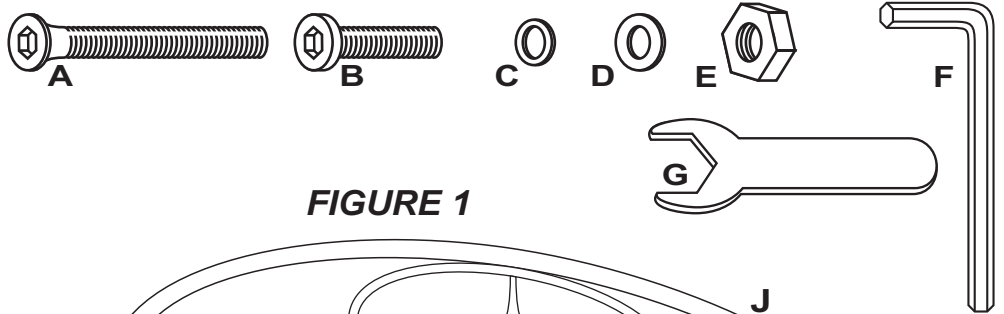


FIGURE 1

## PARTS LIST

- J (1) Headboard Panel
- K (2) Leg Extensions
- L (2) Adapter Plates

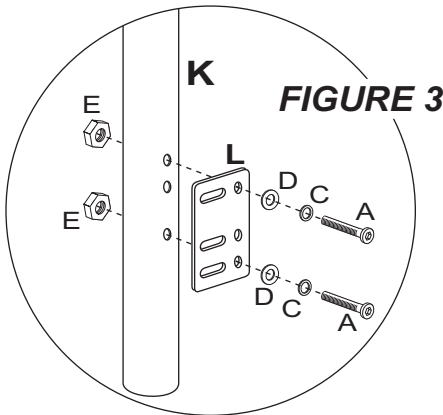
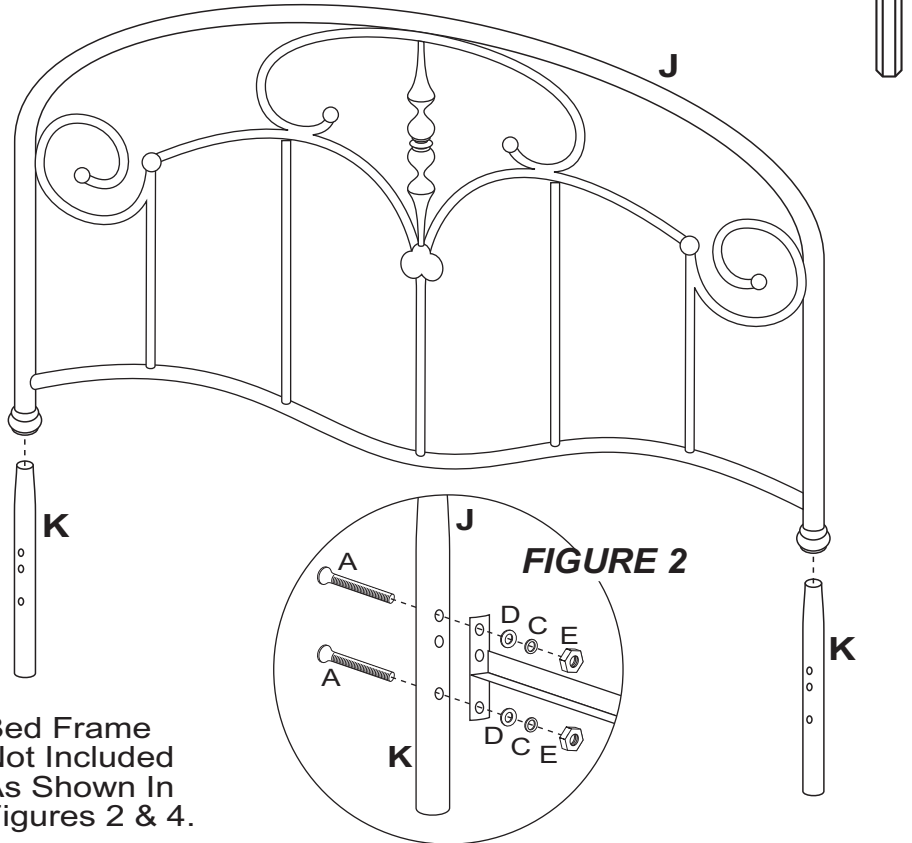


FIGURE 3

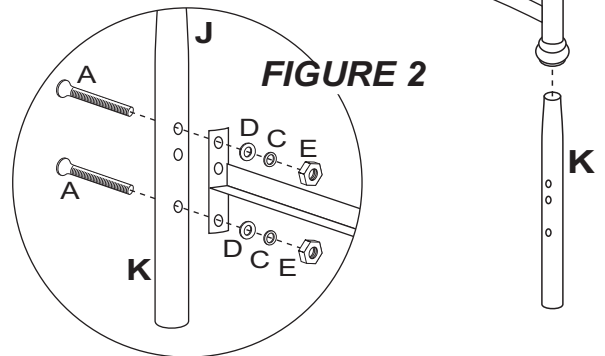


FIGURE 2

\* Bed Frame  
Not Included  
As Shown In  
Figures 2 & 4.

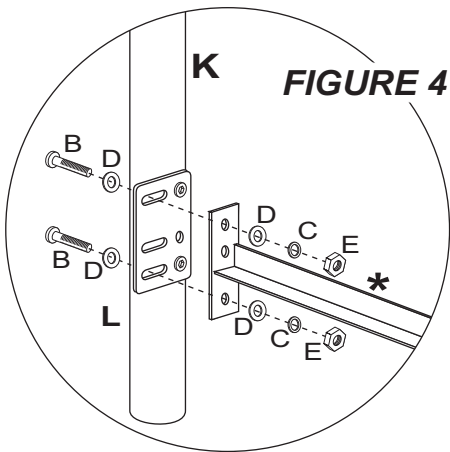


FIGURE 4

### STEP 1 - Figure 1

Begin assembly by attaching each Leg Extension (K) to the bottom of each post on the Duo Panel (J) by firmly fitting in place.

### STEP 2 - Figure 2 - Queen Size Only

Next, attach the Bed Frame (\*Not Included) to each Leg Extension (K) using 2 Allen Bolts (A) from the backside, 2 Flat Washers (D), 2 Spring Washers (C) & 2 Hex Nuts (E) per each post. Tighten all bolts

using the Allen & Hex Wrenches (F & G) that have been provided. The assembly is now complete.

### STEP 3 - Figure 3 - Full Size Only

Attach each Adapter Plate (L) to each Bed Post (K) using 2 Long Allen Bolts (A), 2 Spring Washers (C), 2 Flat Washers (D) & 2 Hex Nuts (E) per each side. Tighten all bolts and nuts.

### STEP 4 - Figure 4 - Full Size Only

Next, attach the Bed Frame (\*Not Included) to each Adapter Plate (L) using 2 Short Allen Bolts (B) & 2 Flat Washers (D) from the outside, also 2 Flat Washers (D), 2 Spring Washers (C) & 2 Hex Nuts (E) per each inside. Tighten all bolts and nuts. The assembly is now complete.

**CARE & MAINTENANCE:** The touch of a soft cloth is all the maintenance the finish will ever need. Please do not use harsh or abrasive cleaners for polishing, as they may cause damage to the finish. Periodic checks are recommended to make sure that all bolts, screws and nuts are securely tightened.