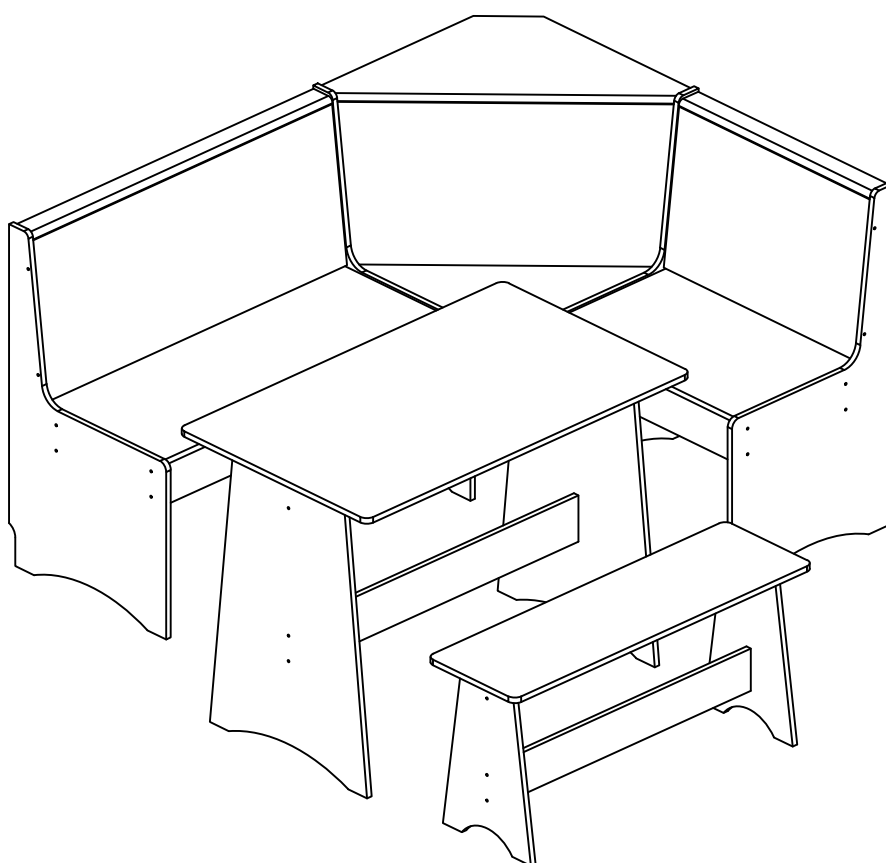



Corner Dining Table and Chair Set

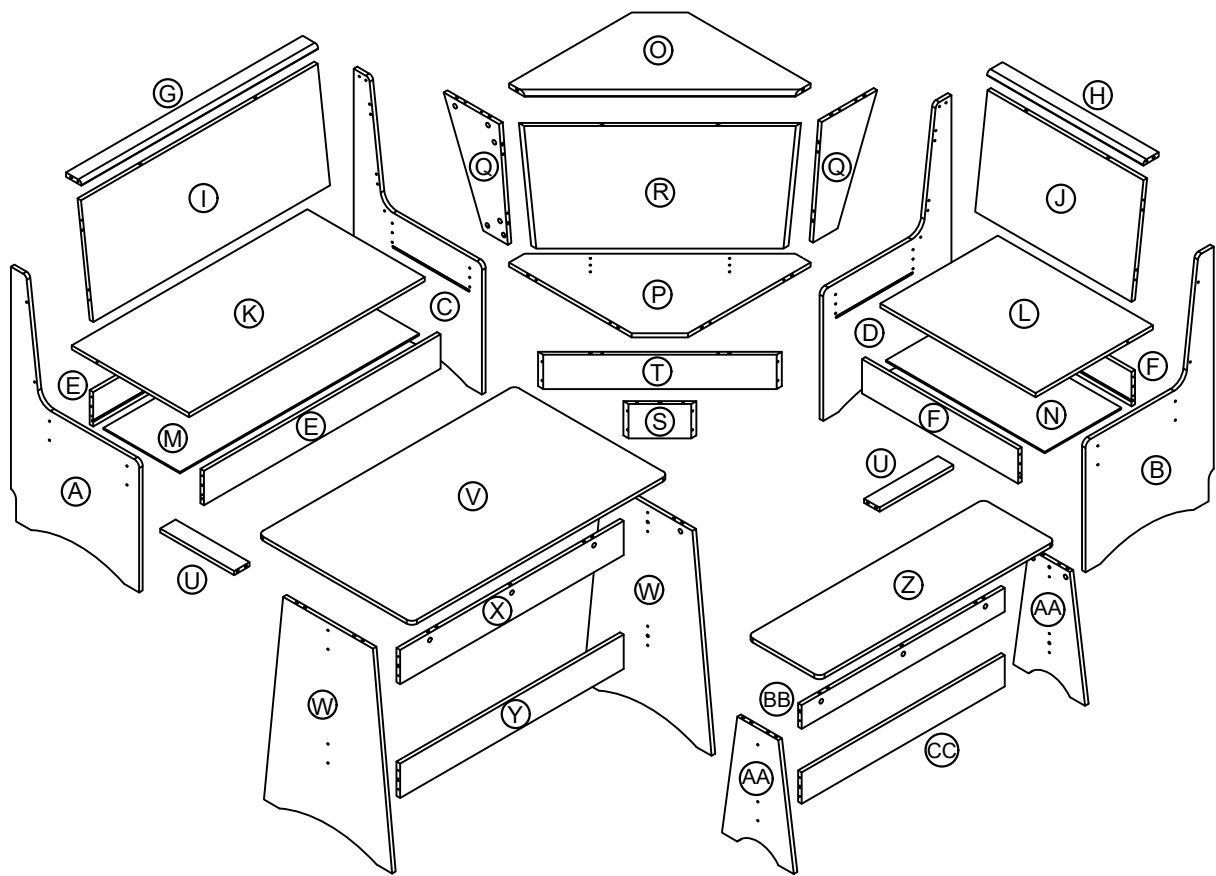
INSTRUCTION



 Part of the steps suggest
two people install

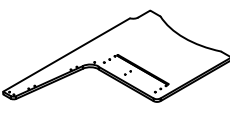
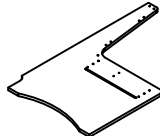

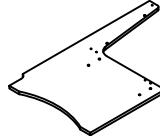
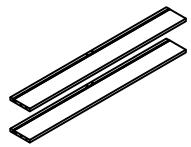
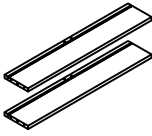
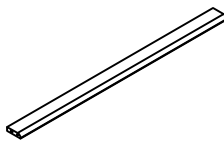
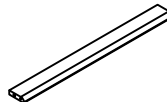
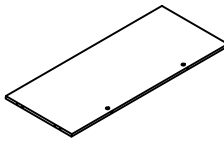
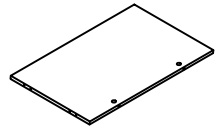
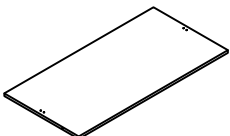
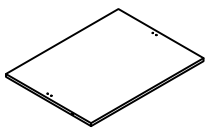
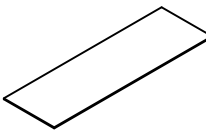
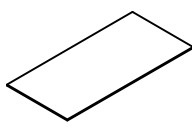

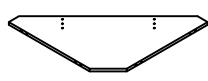
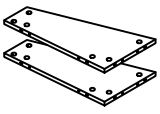
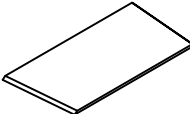

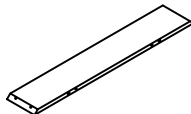
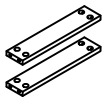
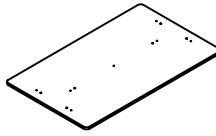
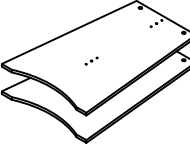
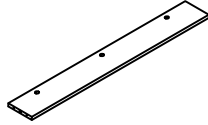
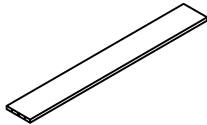
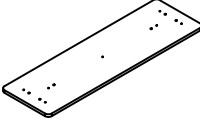
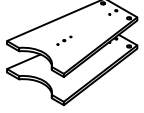
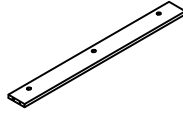
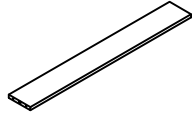
Main Components

Please check you have all the parts listed below



Component Panels & Part List


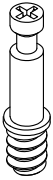

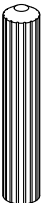
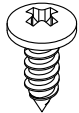
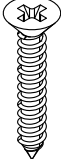
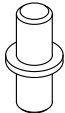
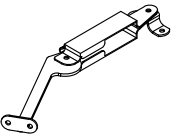
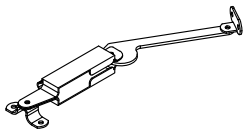

Please check you have all the panels are listed below.

<p>(A)</p>  <p>Qty1</p>	<p>(B)</p>  <p>Qty1</p>	<p>(C)</p>  <p>Qty1</p>	<p>(D)</p>  <p>Qty1</p>	<p>(E)</p>  <p>Qty2</p>
<p>(F)</p>  <p>Qty2</p>	<p>(G)</p>  <p>Qty1</p>	<p>(H)</p>  <p>Qty1</p>	<p>(I)</p>  <p>Qty1</p>	<p>(J)</p>  <p>Qty1</p>
<p>(K)</p>  <p>Qty1</p>	<p>(L)</p>  <p>Qty1</p>	<p>(M)</p>  <p>Qty1</p>	<p>(N)</p>  <p>Qty1</p>	<p>(O)</p>  <p>Qty1</p>
<p>(P)</p>  <p>Qty1</p>	<p>(Q)</p>  <p>Qty2</p>	<p>(R)</p>  <p>Qty1</p>	<p>(S)</p>  <p>Qty1</p>	<p>(T)</p>  <p>Qty1</p>
<p>(U)</p>  <p>Qty2</p>	<p>(V)</p>  <p>Qty1</p>	<p>(W)</p>  <p>Qty2</p>	<p>(X)</p>  <p>Qty1</p>	<p>(Y)</p>  <p>Qty1</p>
<p>(Z)</p>  <p>Qty1</p>	<p>(AA)</p>  <p>Qty2</p>	<p>(BB)</p>  <p>Qty1</p>	<p>(CC)</p>  <p>Qty1</p>	

Fixings, Fittings And Tools

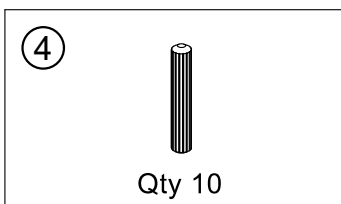
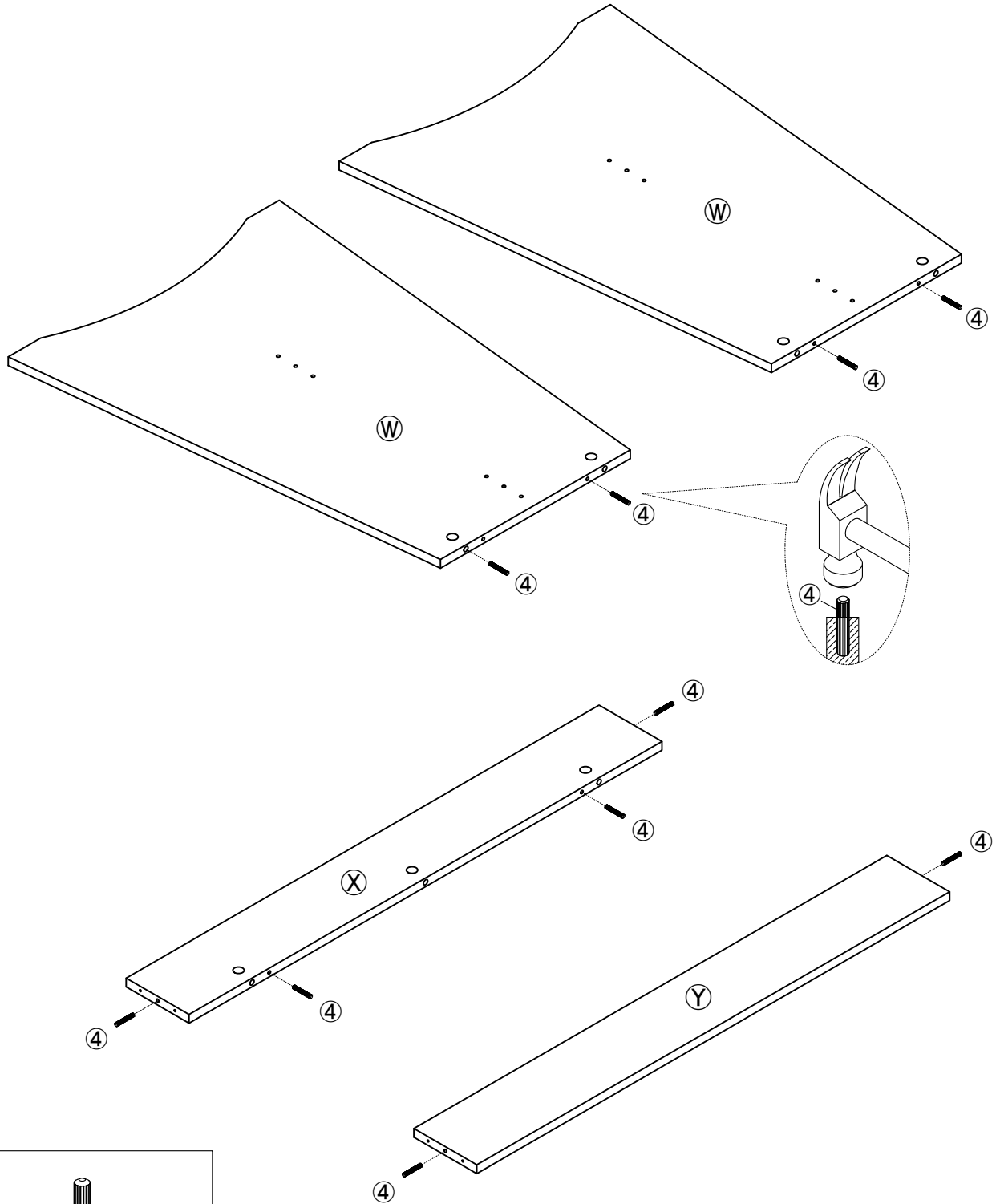
Please check all the fittings listed below

Note: The quantities below are the correct amount to complete the assembly. In some case more fittings may be supplied than be required.

 <p>① Ø15*12mm Qty49+1</p>	 <p>② Ø6.5*34mm Qty49+1</p>	 <p>③ Ø4*45mm Qty42+1</p>	 <p>④ Ø5*30mm Qty58+1</p>
 <p>⑤ Ø4*14mm Qty8+2</p>	 <p>⑥ Ø4*25mm Qty12+1</p>	 <p>⑦ Ø5*16mm Qty4+1</p>	 <p>⑧ Qty1</p>
 <p>⑨ Qty1</p>	 <p>⑩ Ø12*3.9mm Qty26+2</p>		

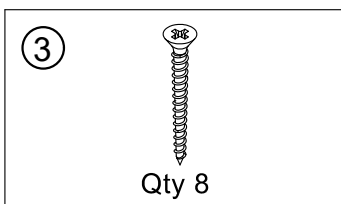
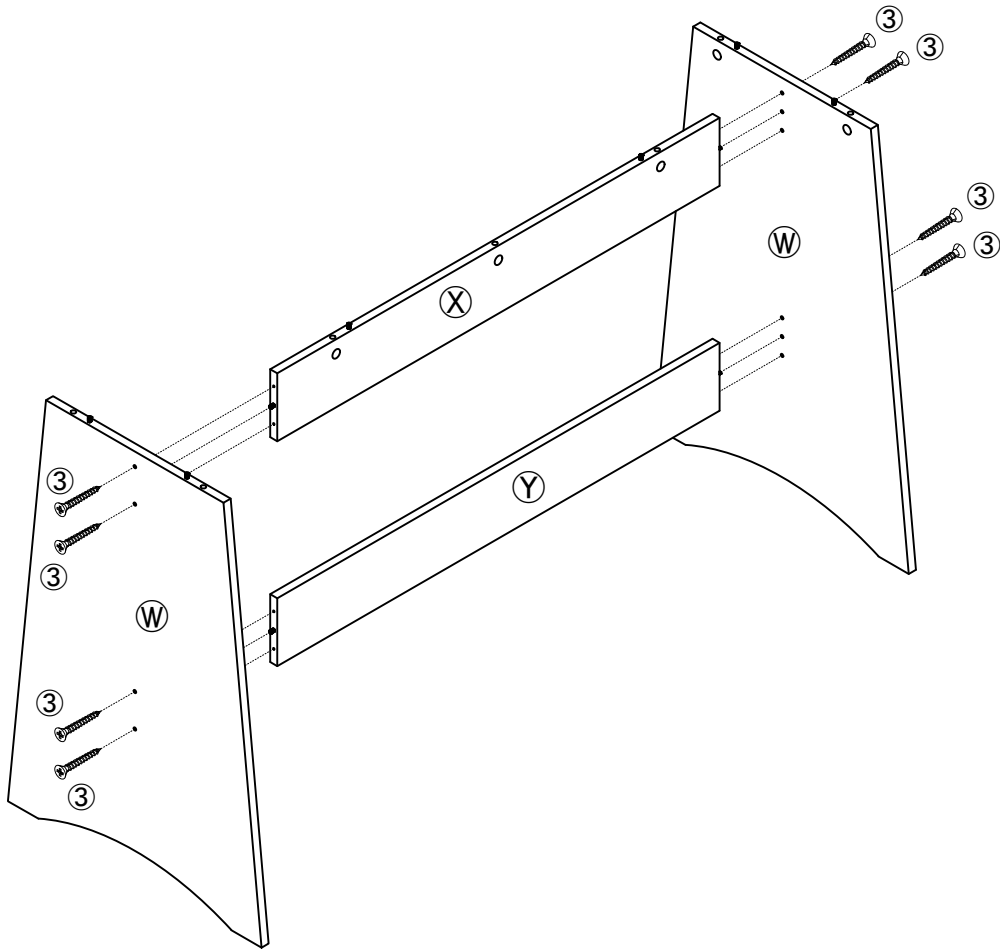
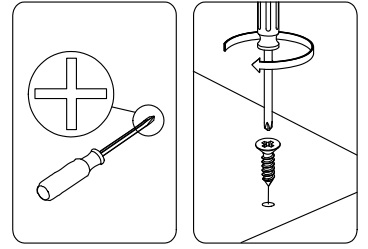
Assembly Step

Step 1



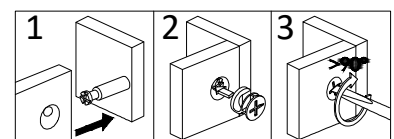
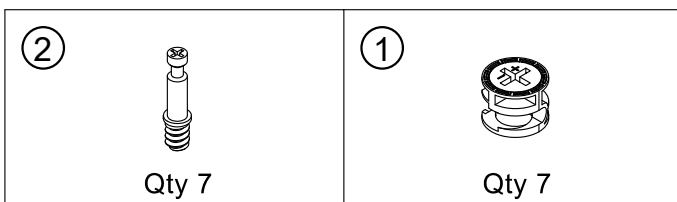
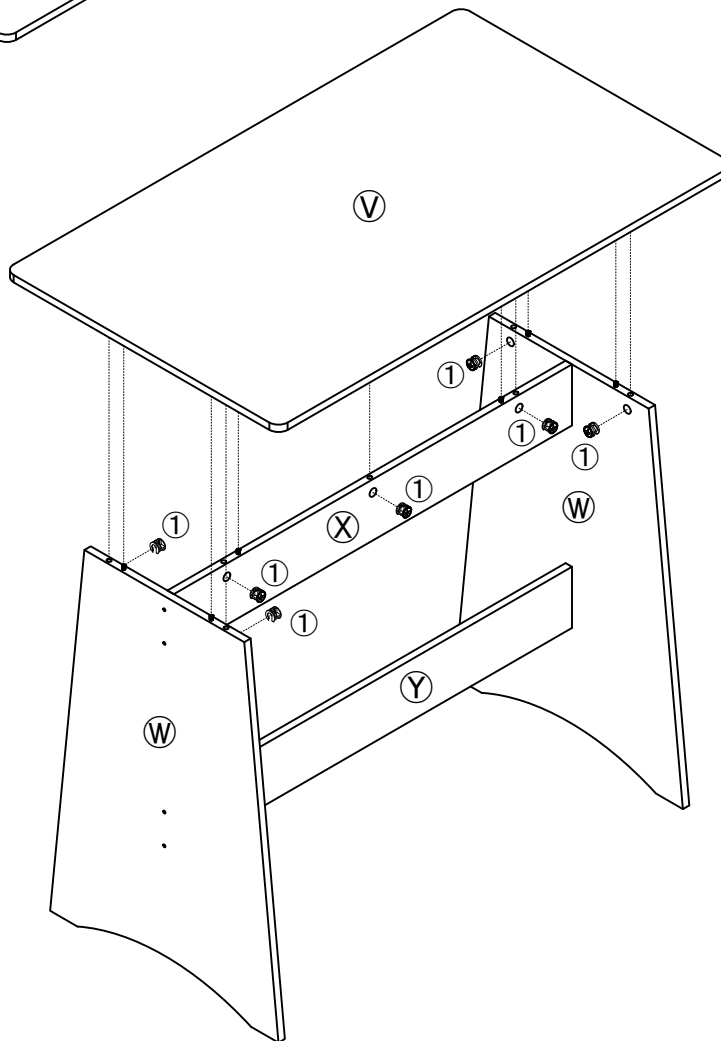
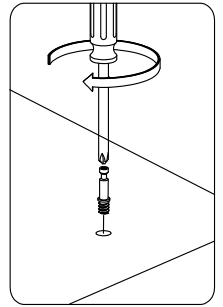
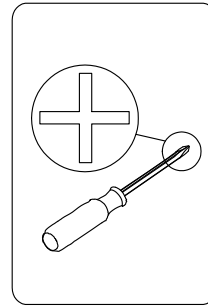
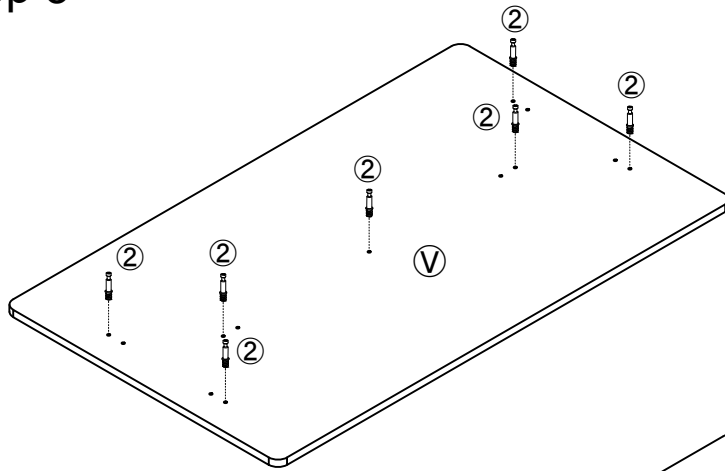
Assembly Step

Step 2



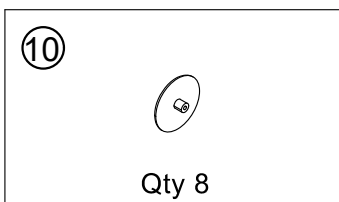
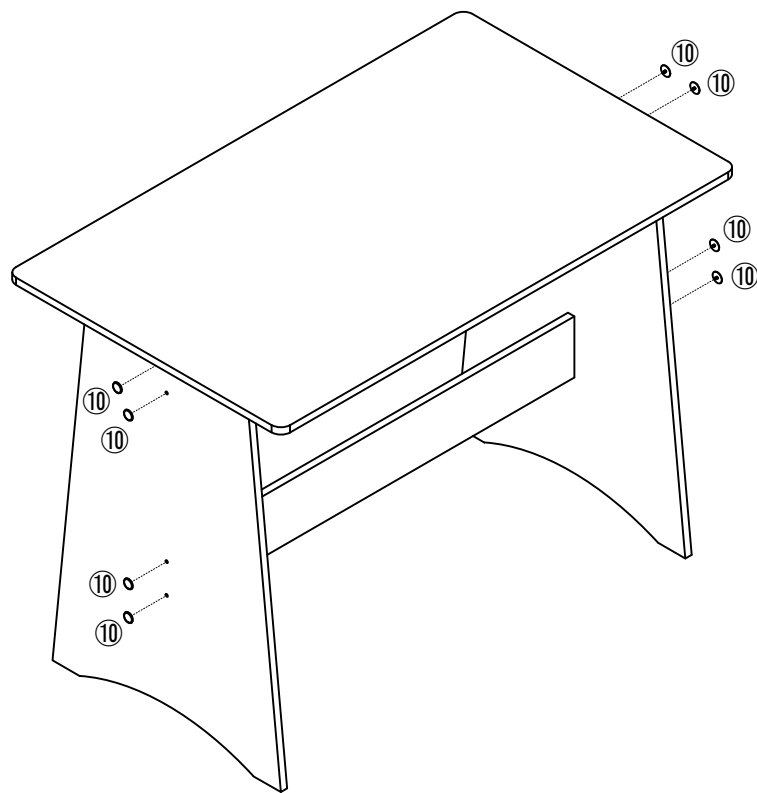
Assembly Step

Step 3



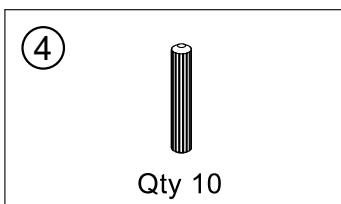
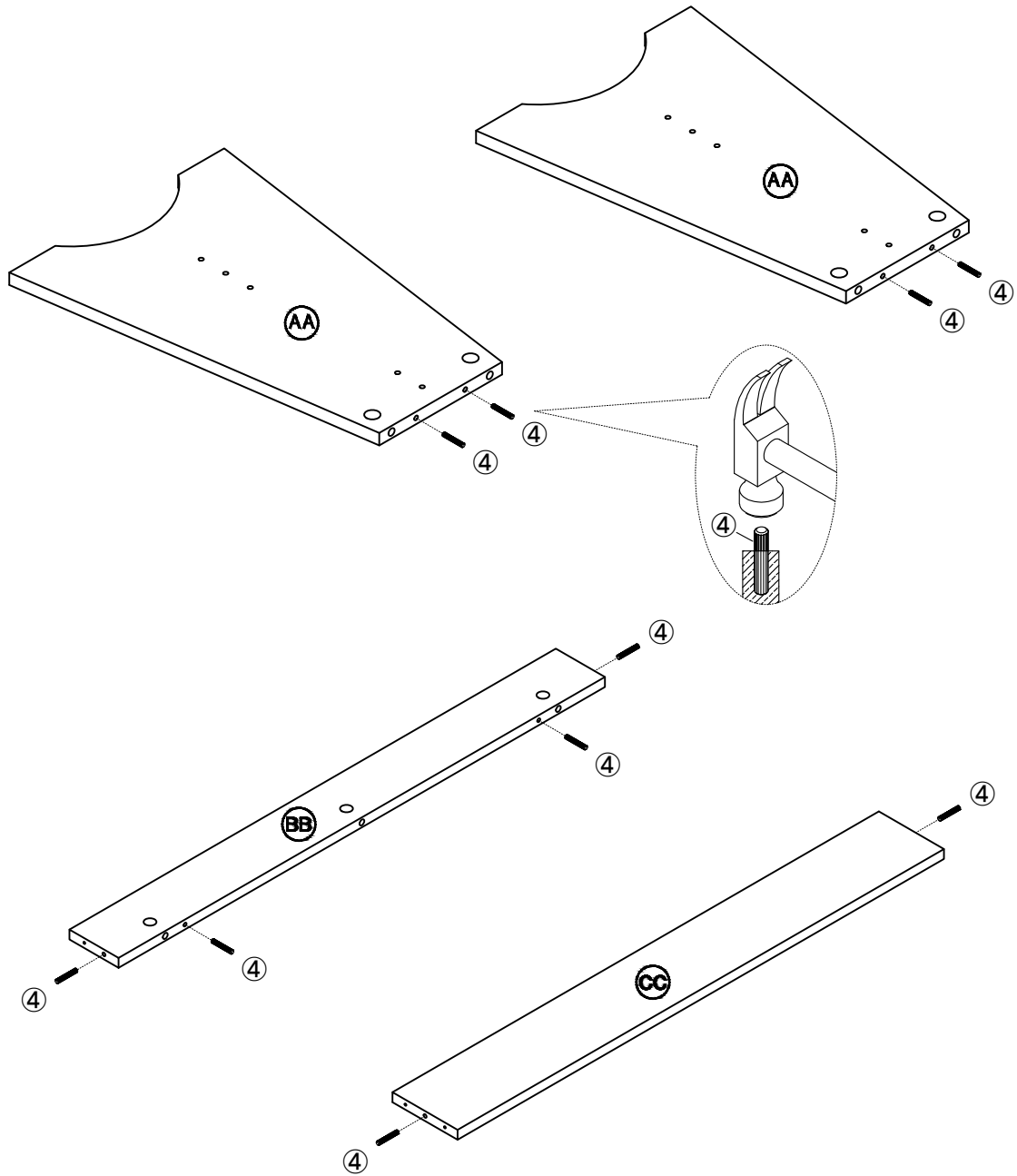
Assembly Step

Step 4



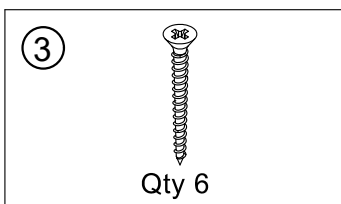
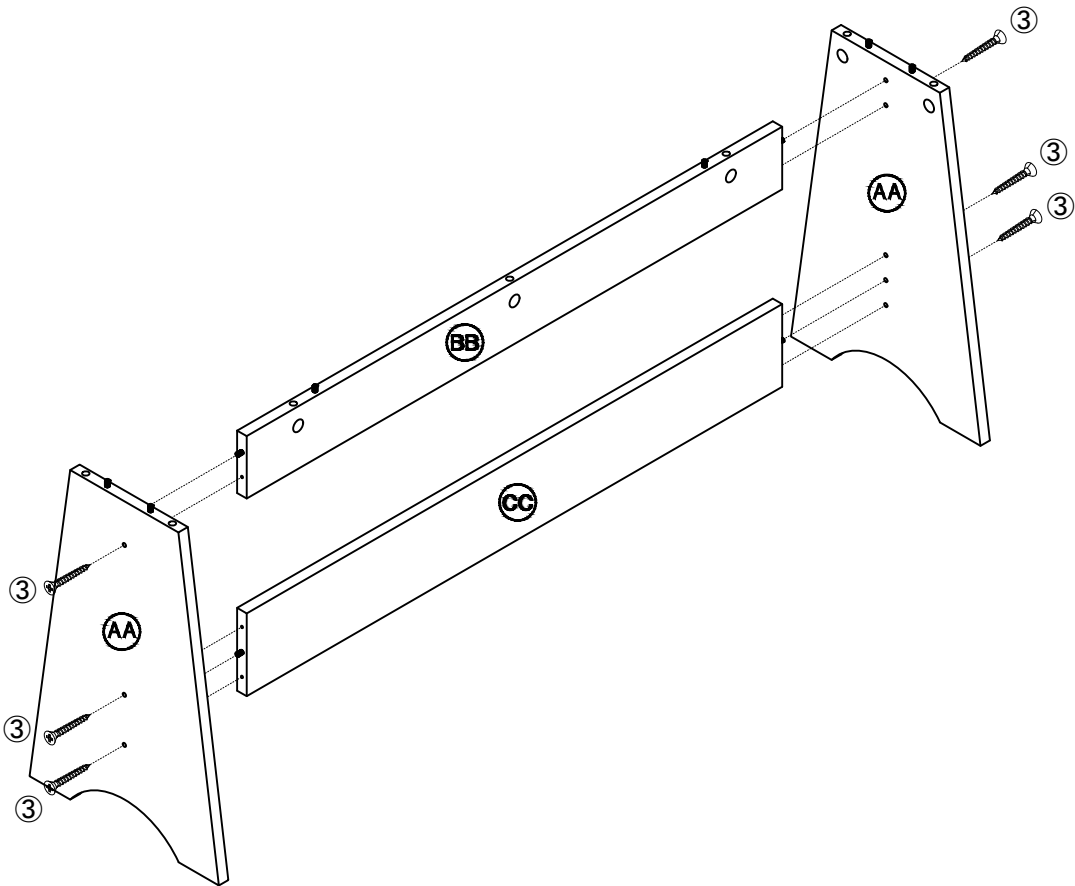
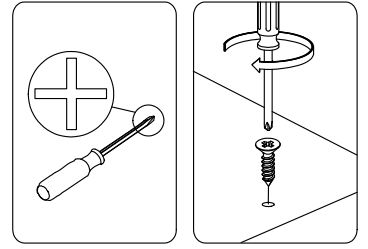
Assembly Step

Step 5



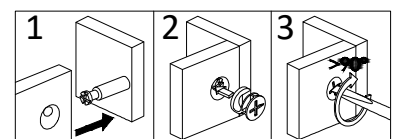
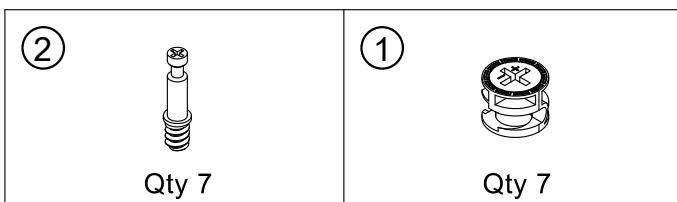
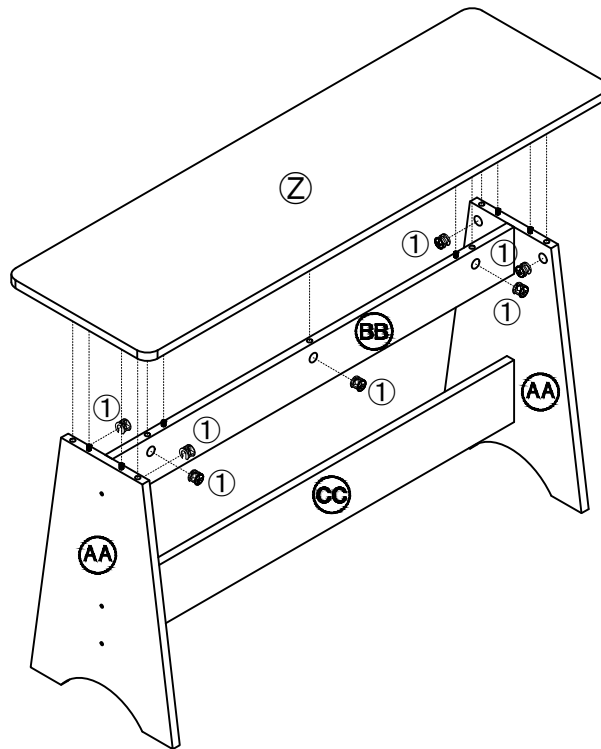
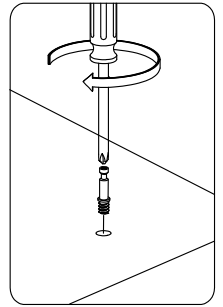
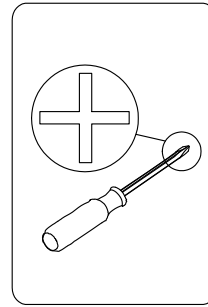
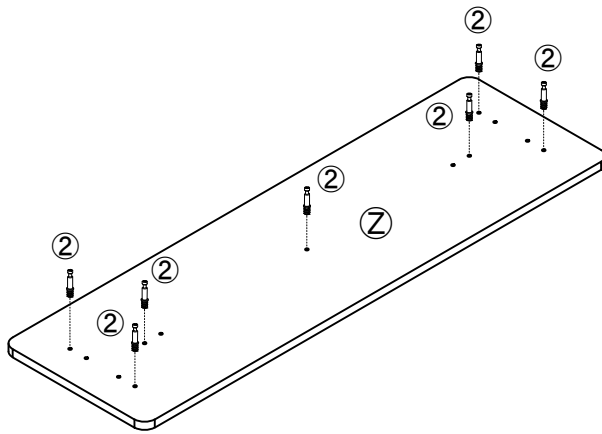
Assembly Step

Step 6



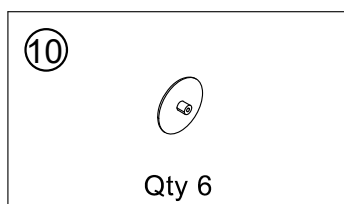
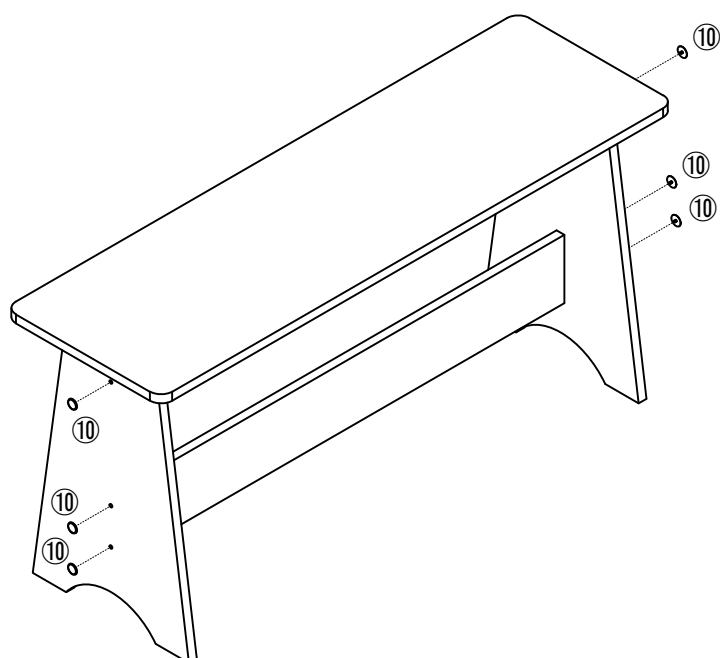
Assembly Step

Step 7



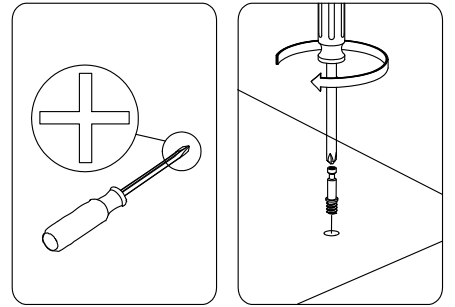
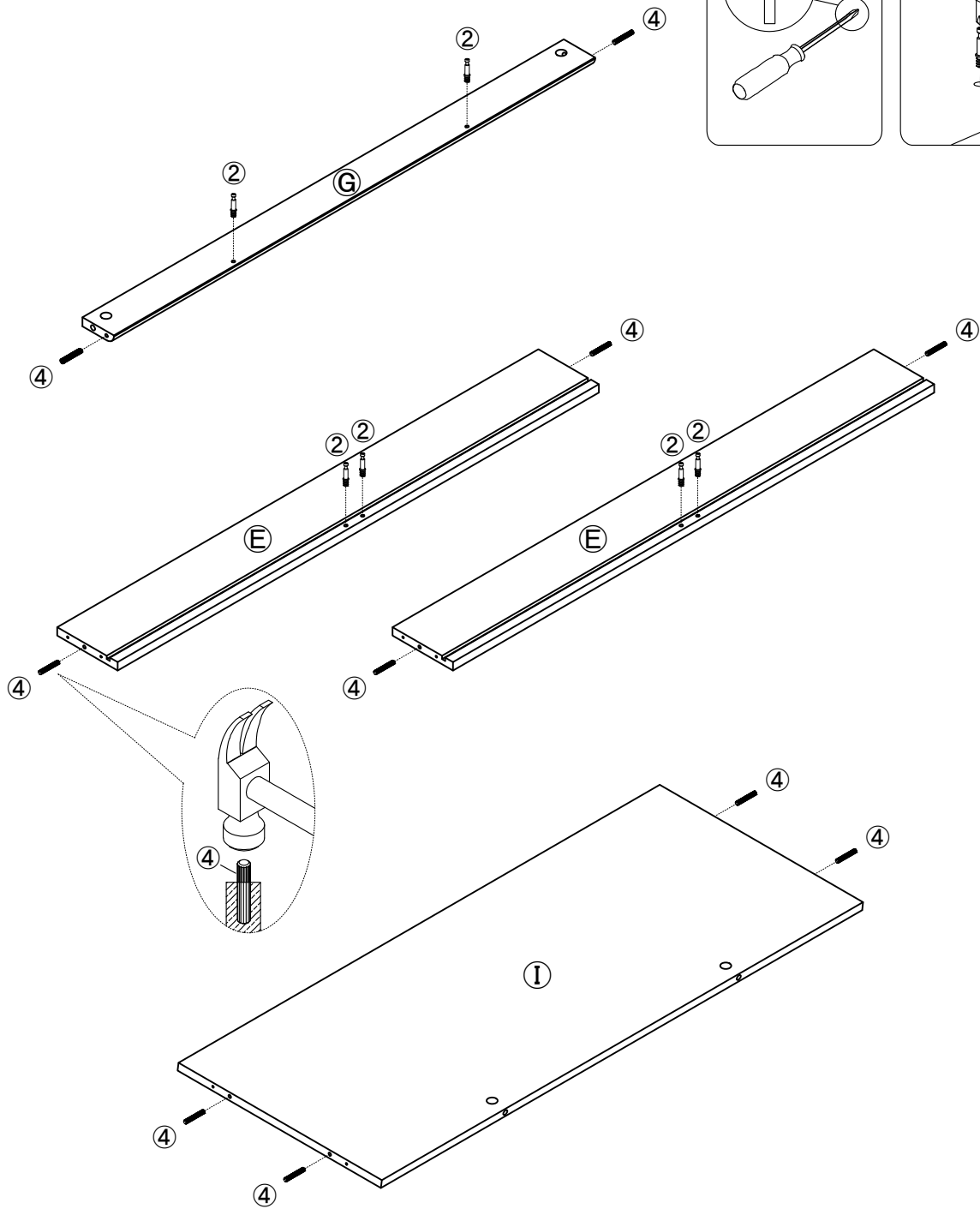
Assembly Step

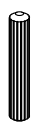
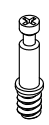
Step 8



Assembly Step

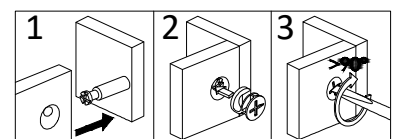
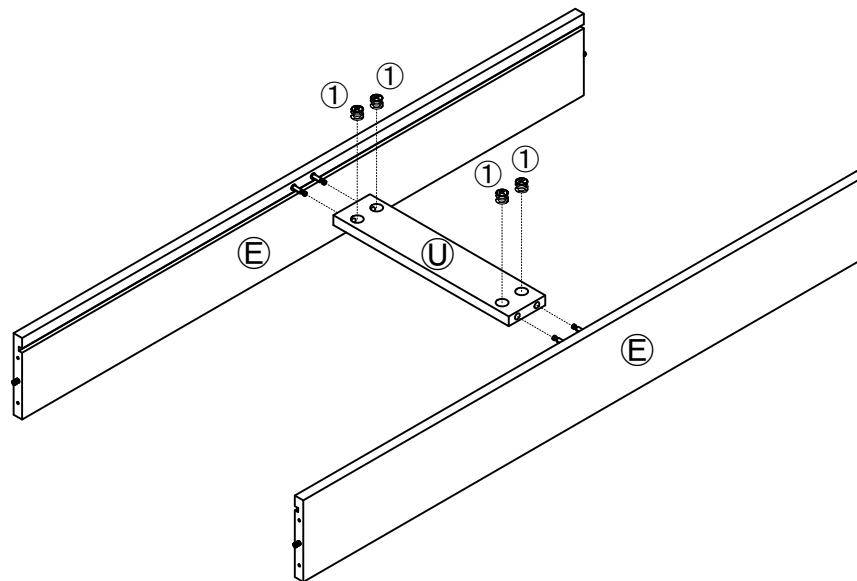
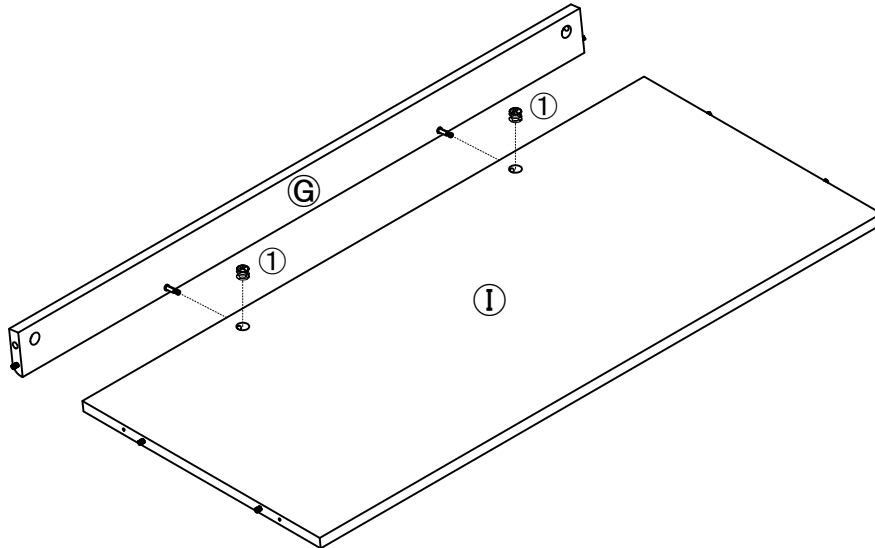
Step 9



<p>④</p>  <p>Qty 10</p>	<p>②</p>  <p>Qty 6</p>
--	---

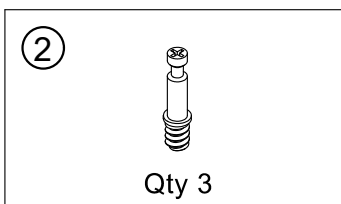
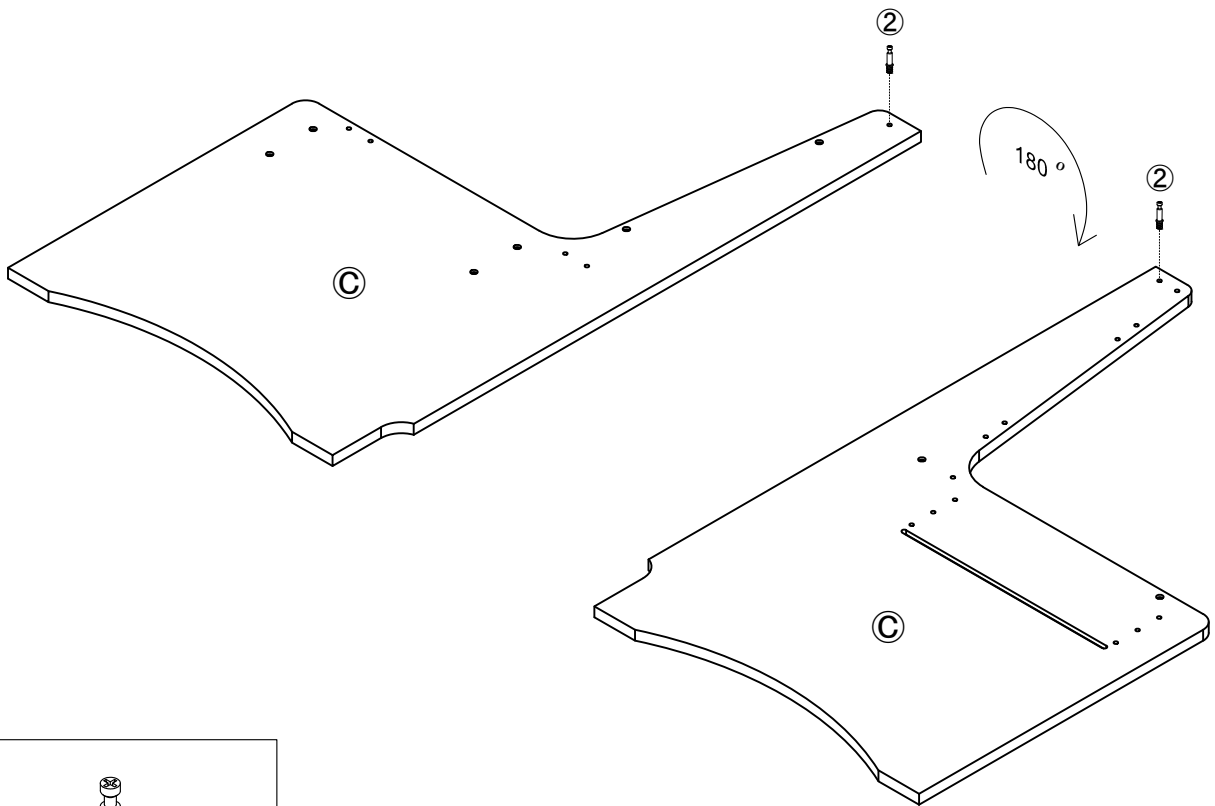
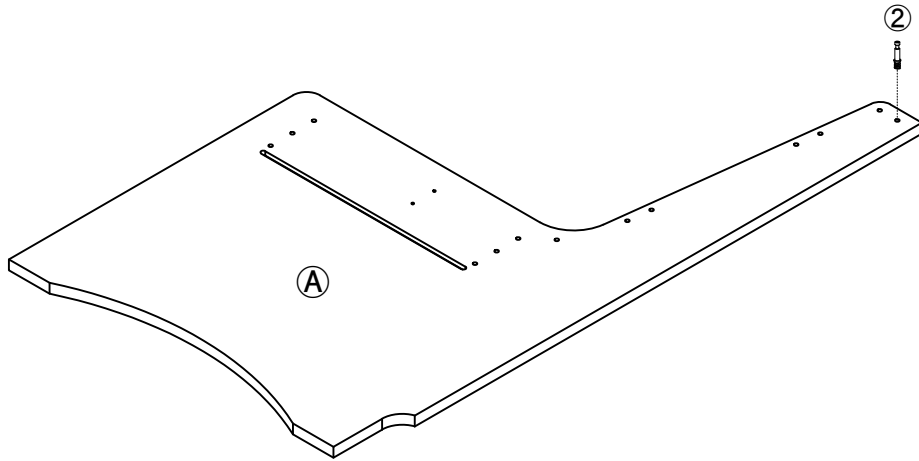
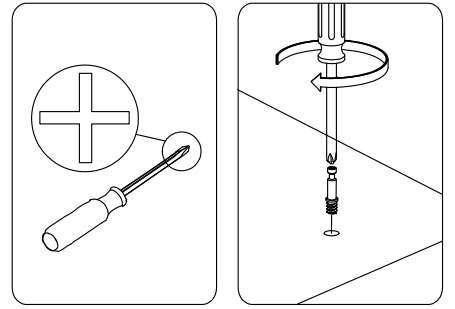
Assembly Step

Step 10



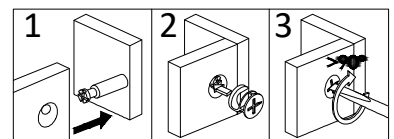
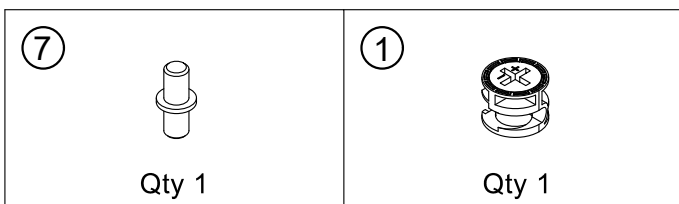
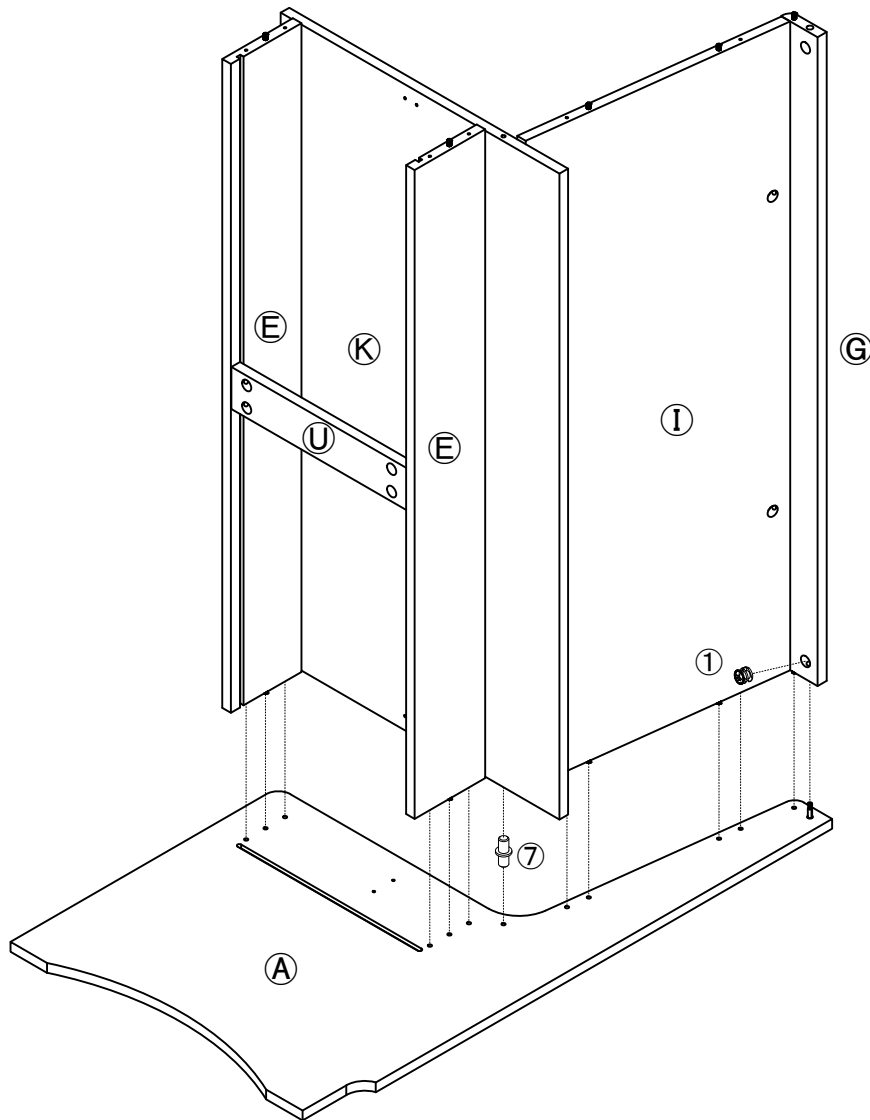
Assembly Step

Step 11



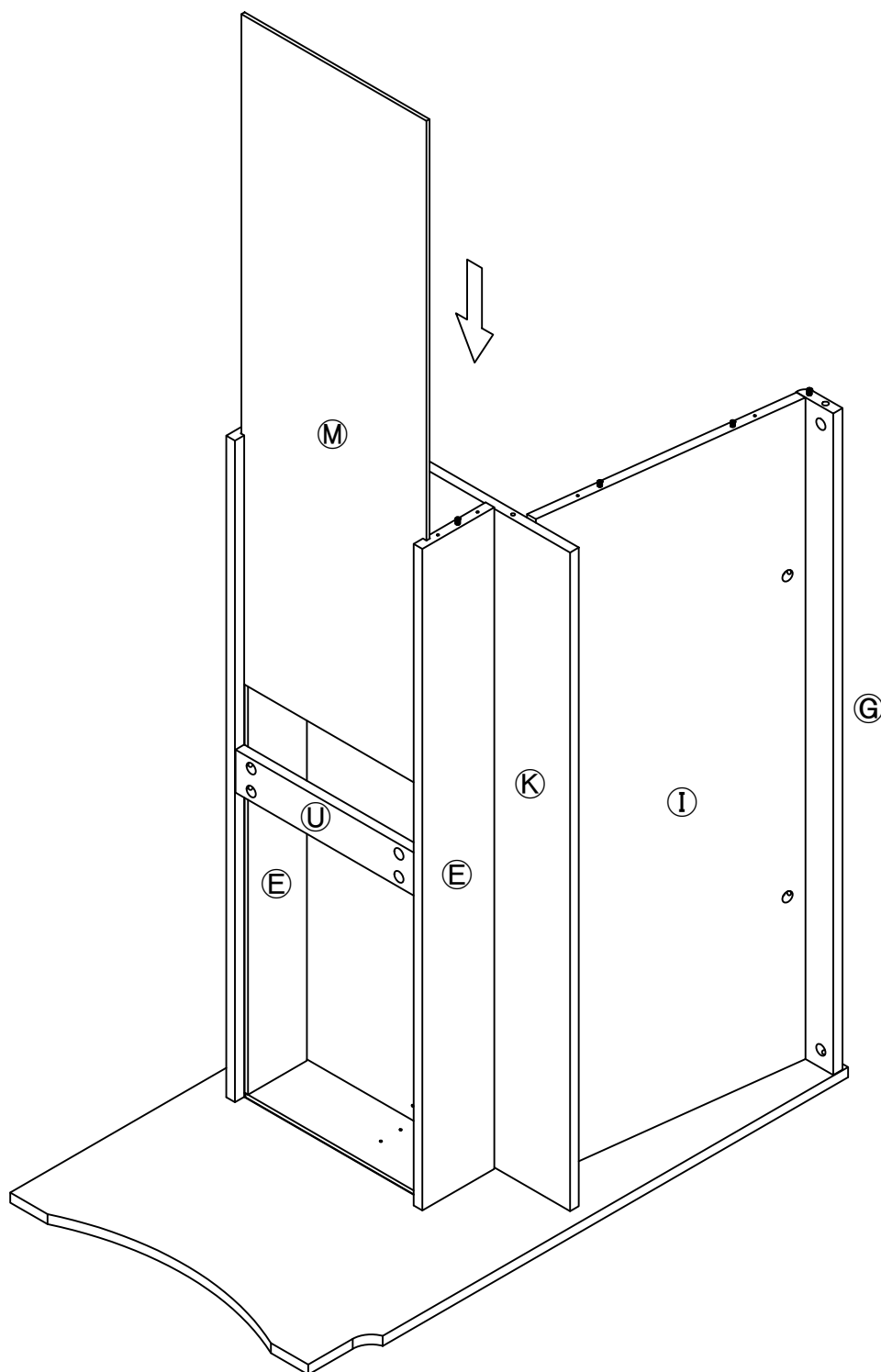
Assembly Step

Step 12



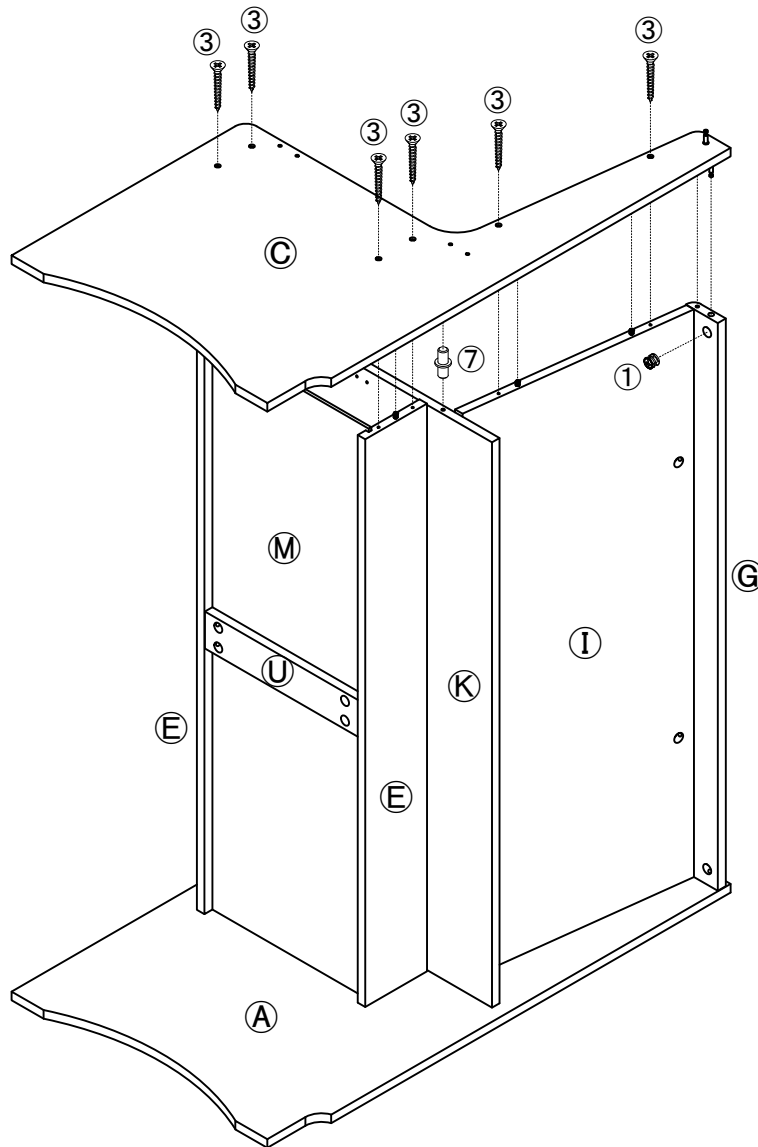
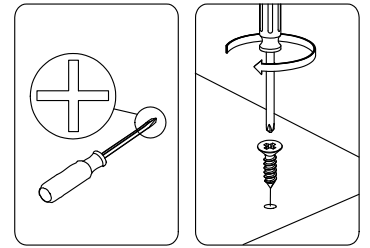
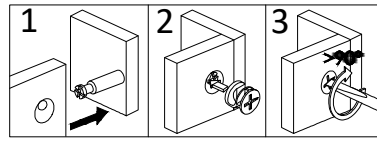
Assembly Step

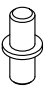


Step 13



Assembly Step

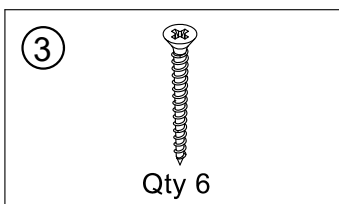
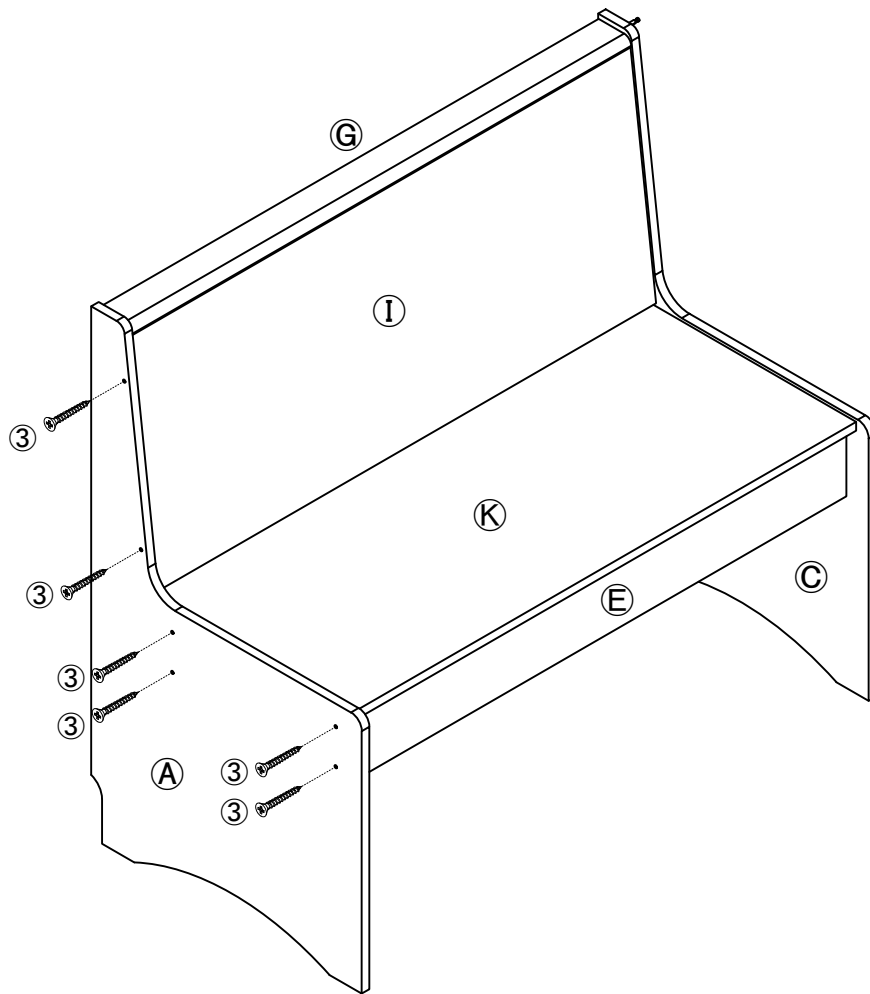
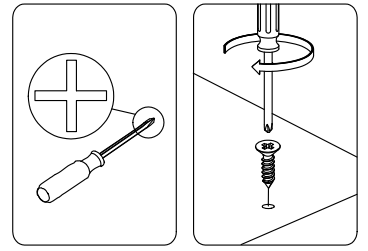
Step 14



<p>⑦</p>  <p>Qty 1</p>	<p>①</p>  <p>Qty 1</p>	<p>③</p>  <p>Qty 6</p>
---	---	---

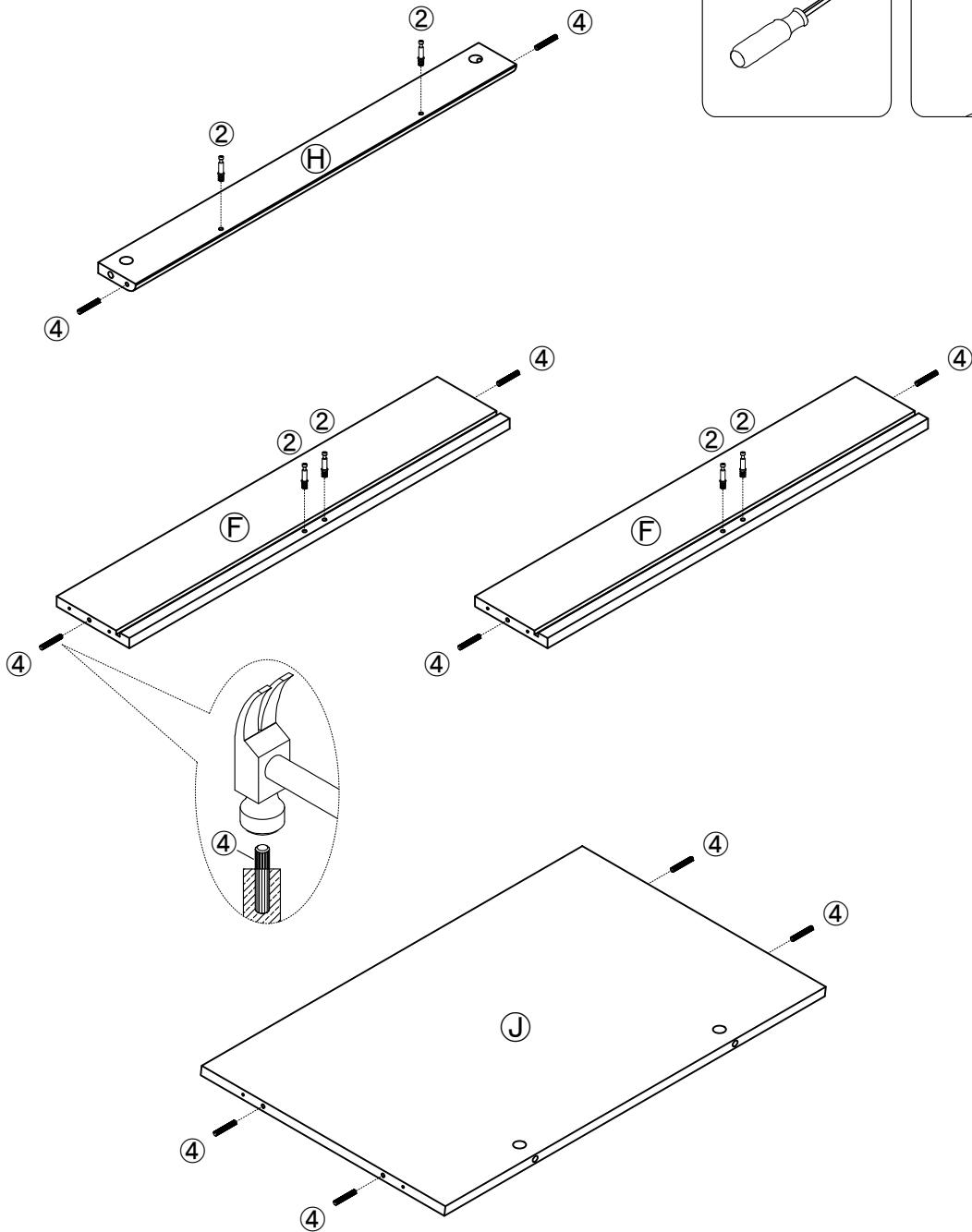
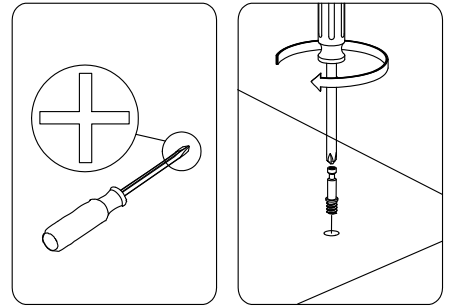
Assembly Step



Step 15



Assembly Step

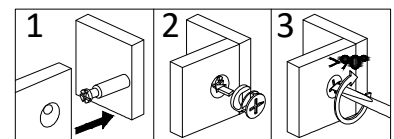
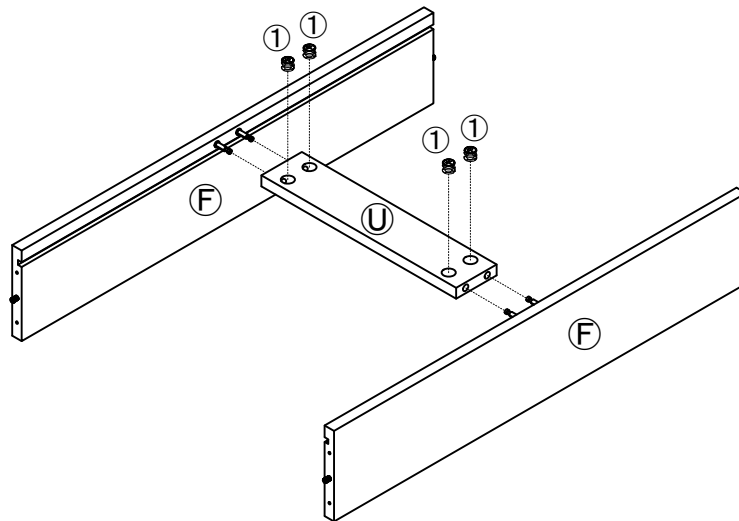
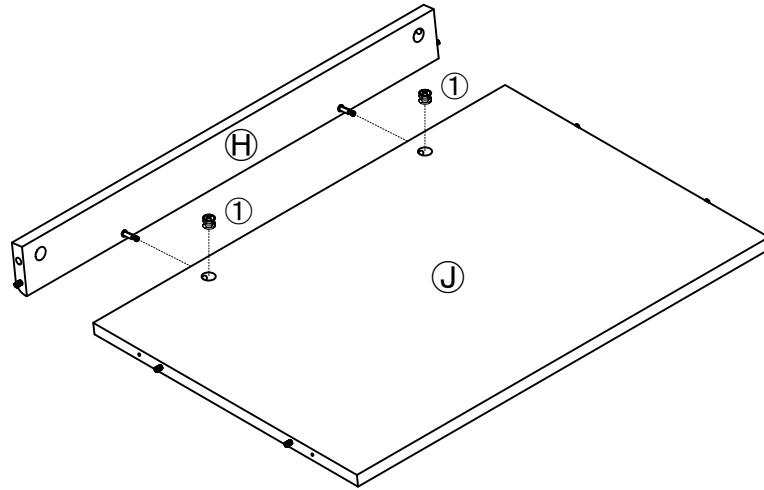
Step 16



<p>④</p>  <p>Qty 10</p>	<p>②</p>  <p>Qty 6</p>
--	---

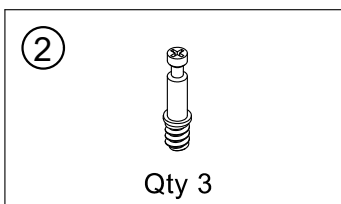
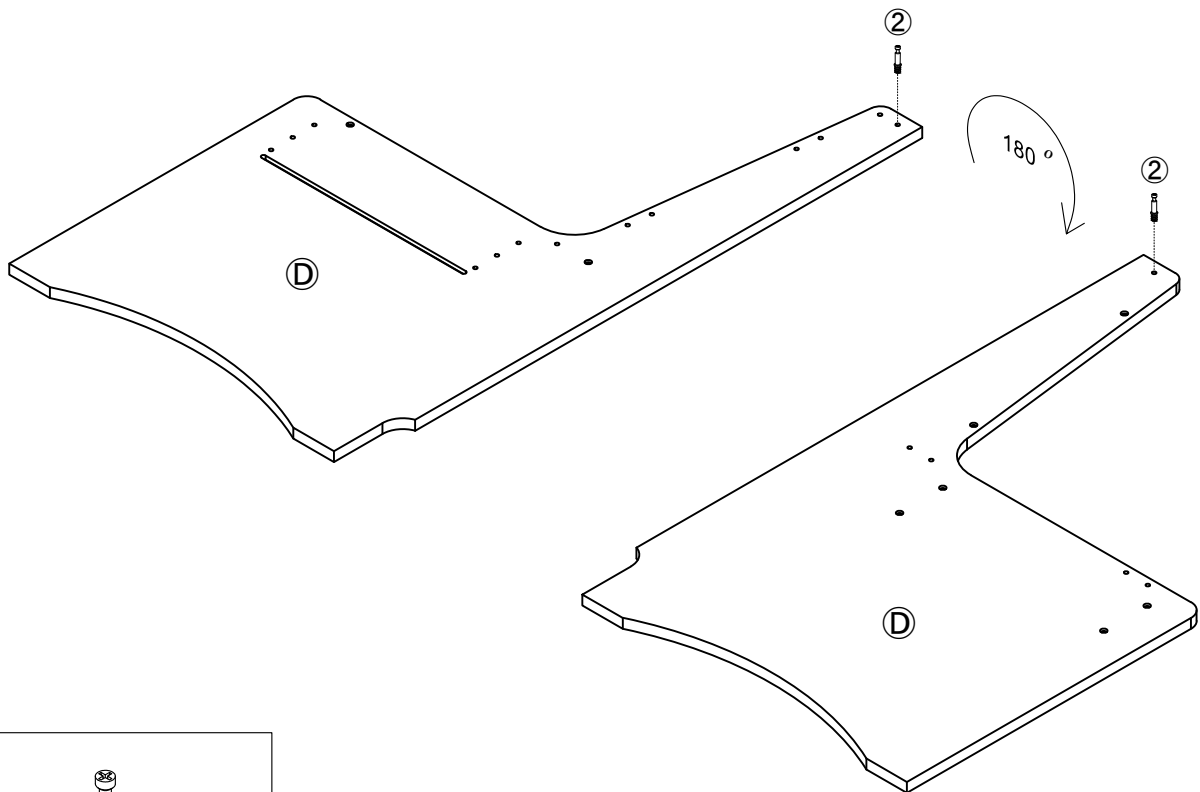
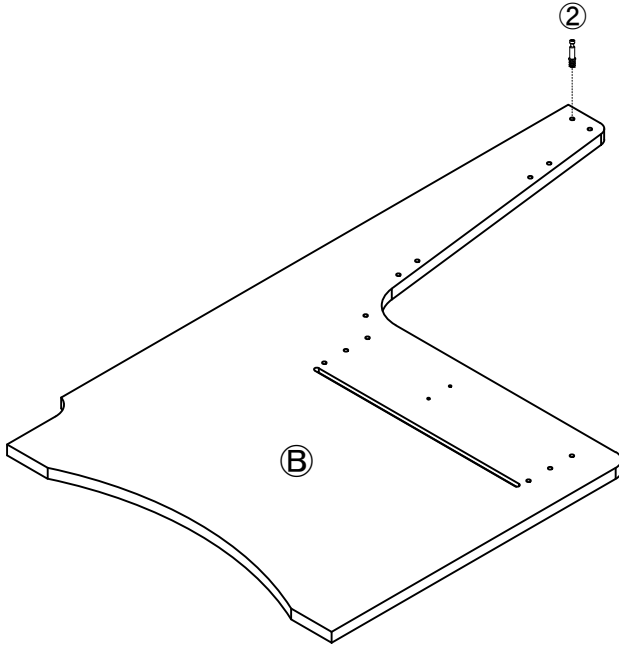
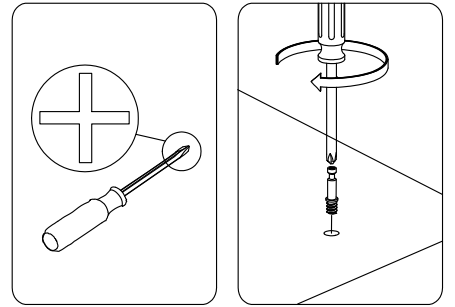
Assembly Step

Step 17



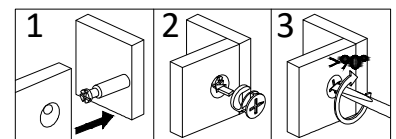
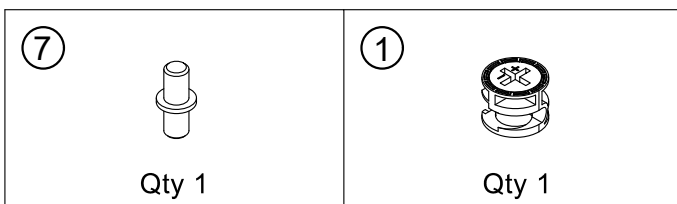
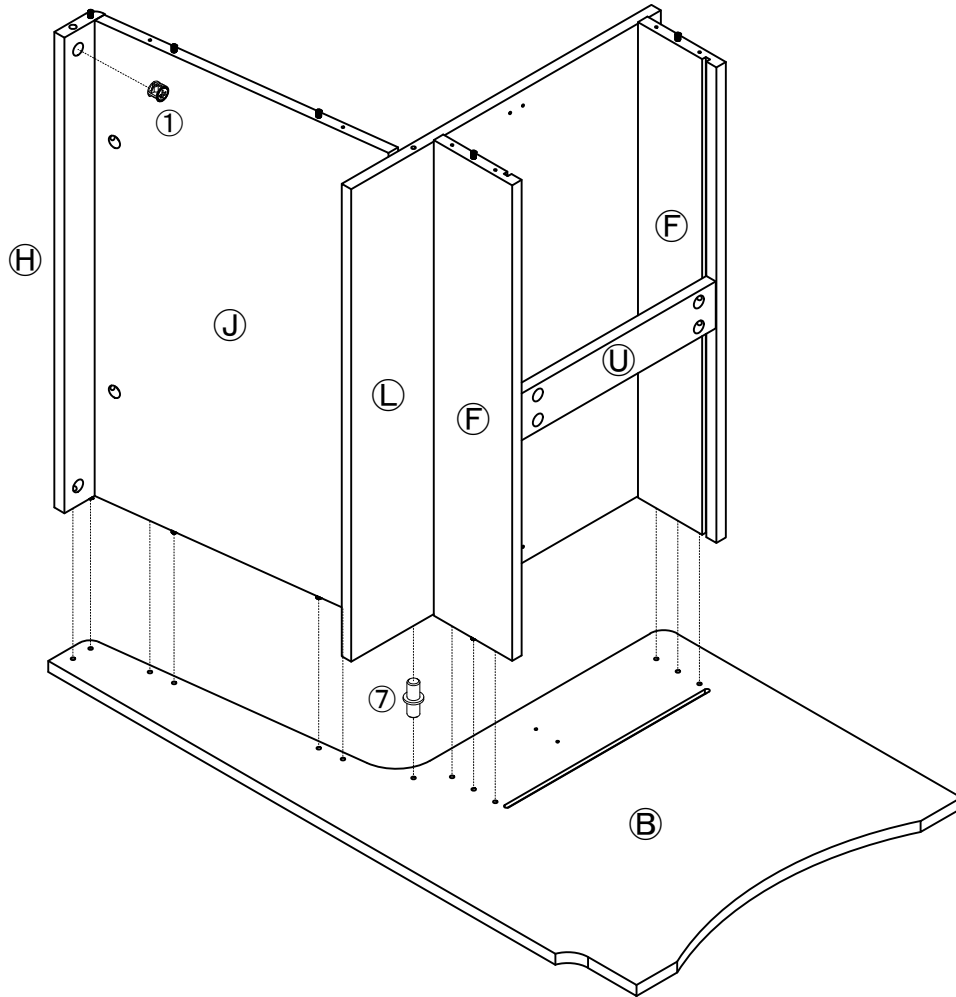
Assembly Step

Step 18



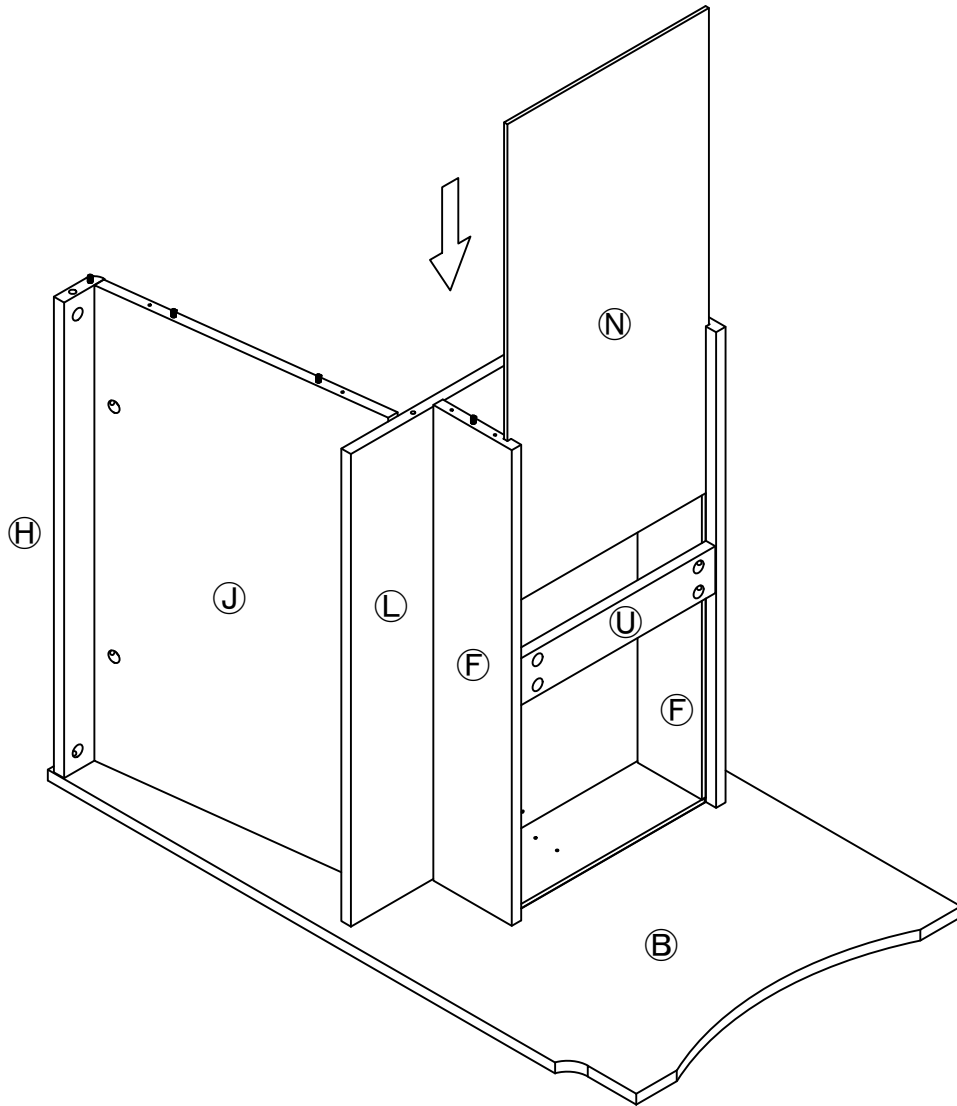
Assembly Step

Step 19



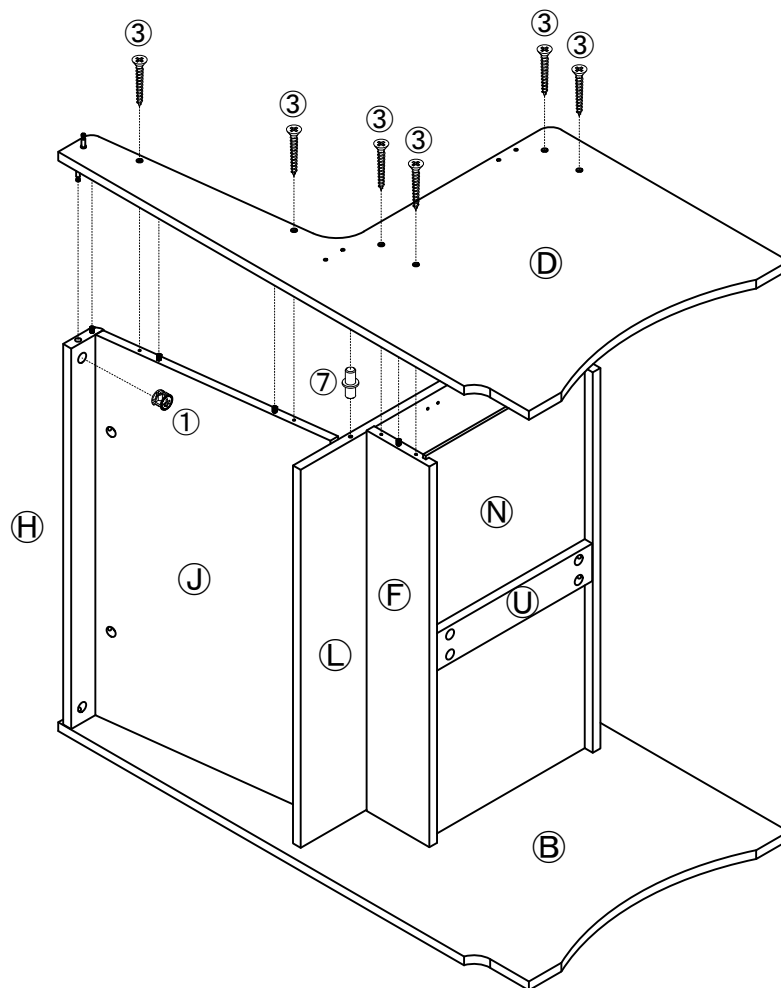
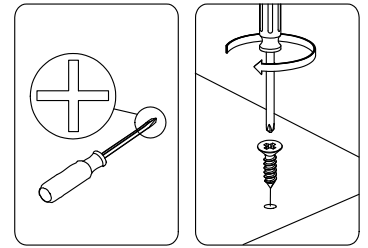
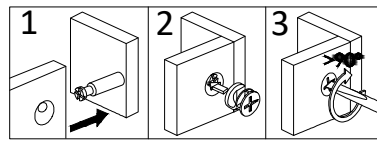
Assembly Step

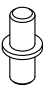


Step 20



Assembly Step

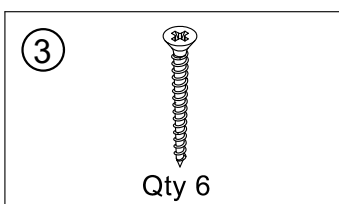
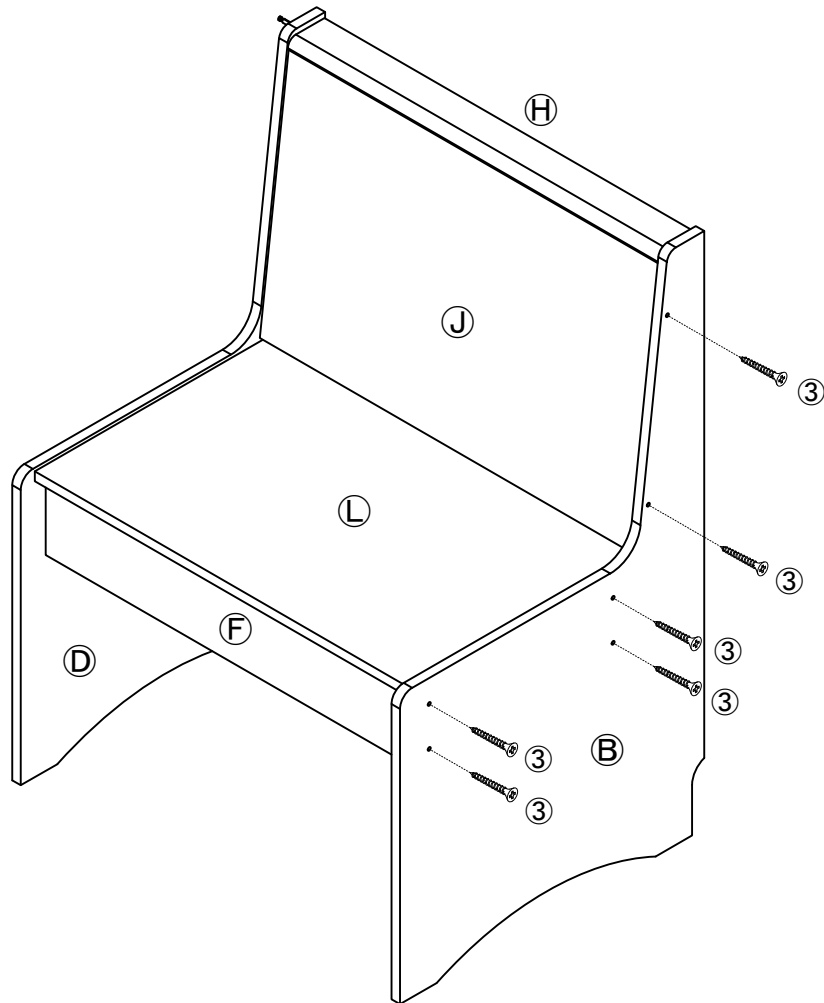
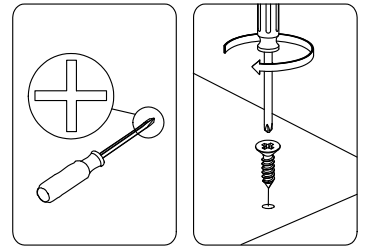
Step 21



<p>⑦</p>  <p>Qty 1</p>	<p>①</p>  <p>Qty 1</p>	<p>③</p>  <p>Qty 6</p>
---	---	---

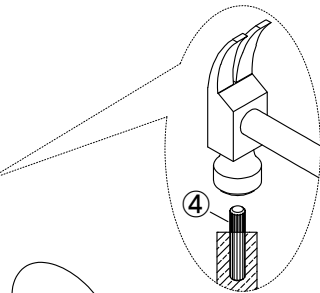
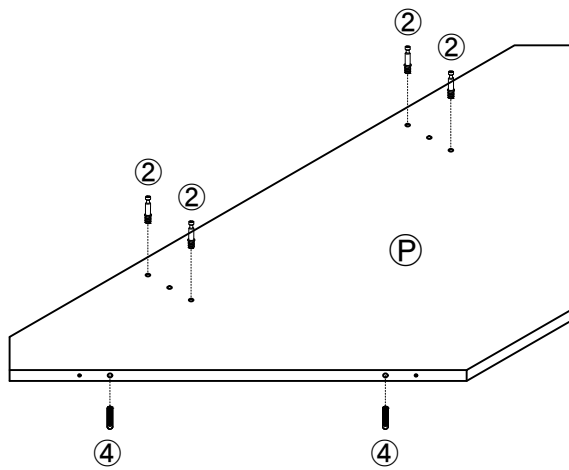
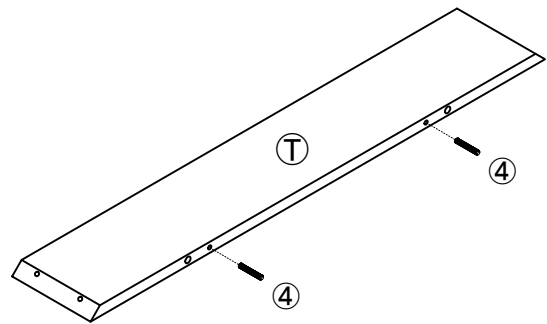
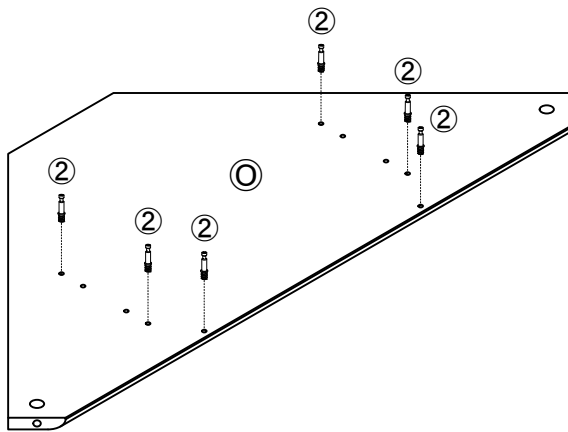
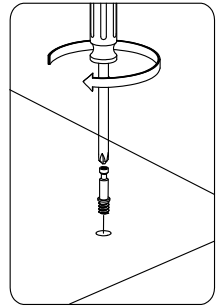
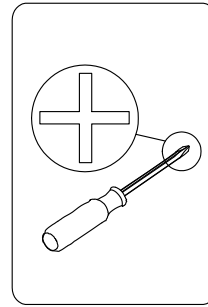
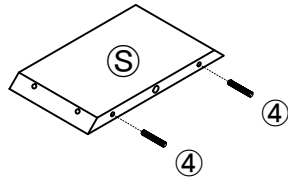
Assembly Step

Step 22

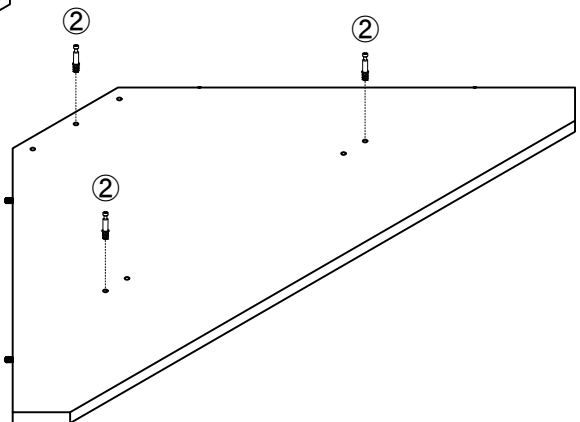


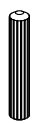
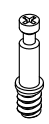
Assembly Step

Step 23



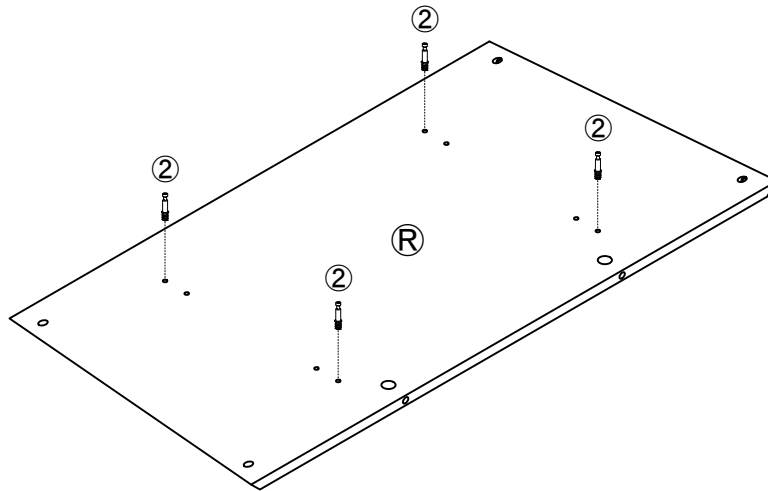
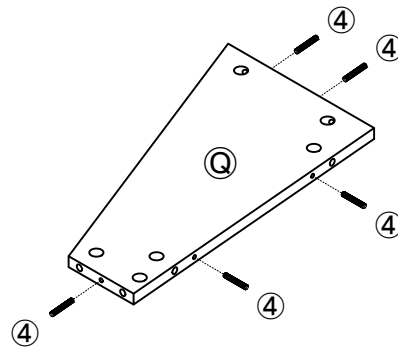
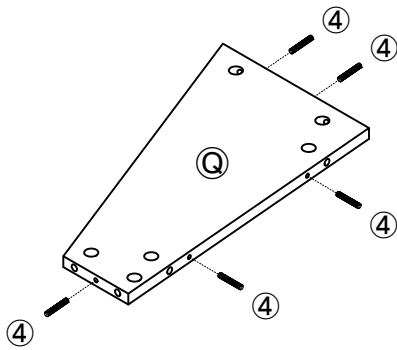
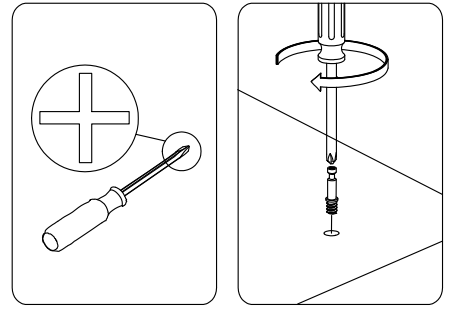
180°

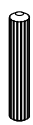



<p>④</p>  <p>Qty 8</p>	<p>②</p>  <p>Qty 13</p>
---	--

Assembly Step

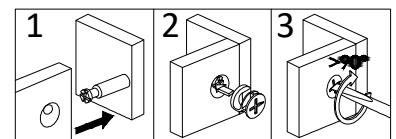
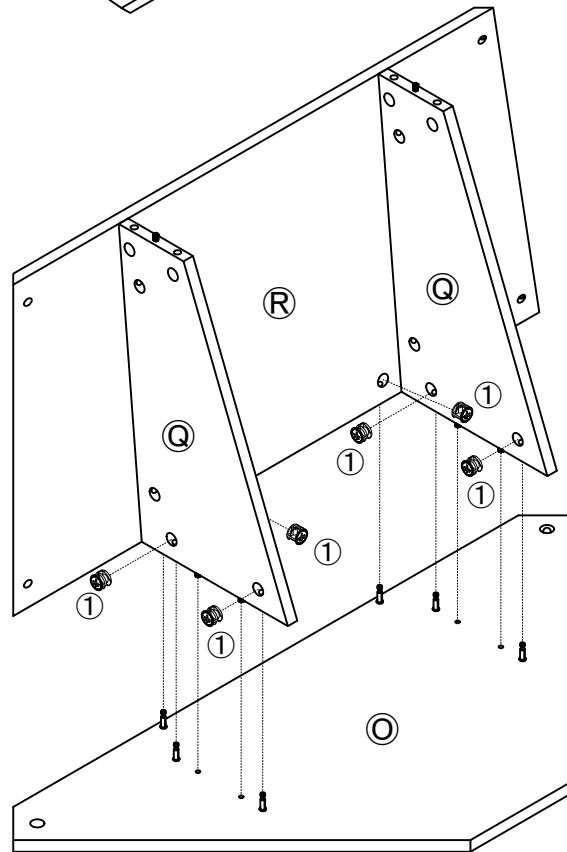
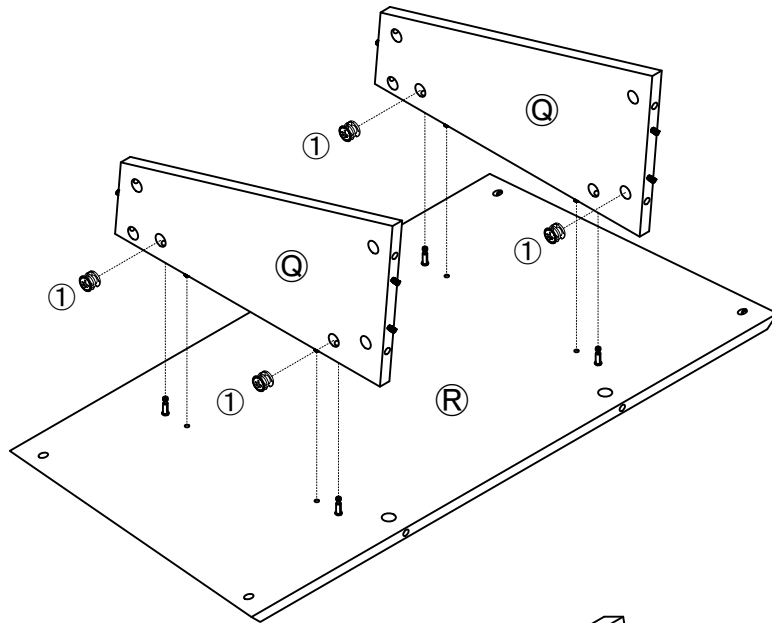
Step 24



<p>④</p>  <p>Qty 10</p>	<p>②</p>  <p>Qty 4</p>
--	---

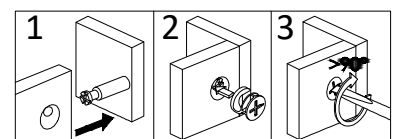
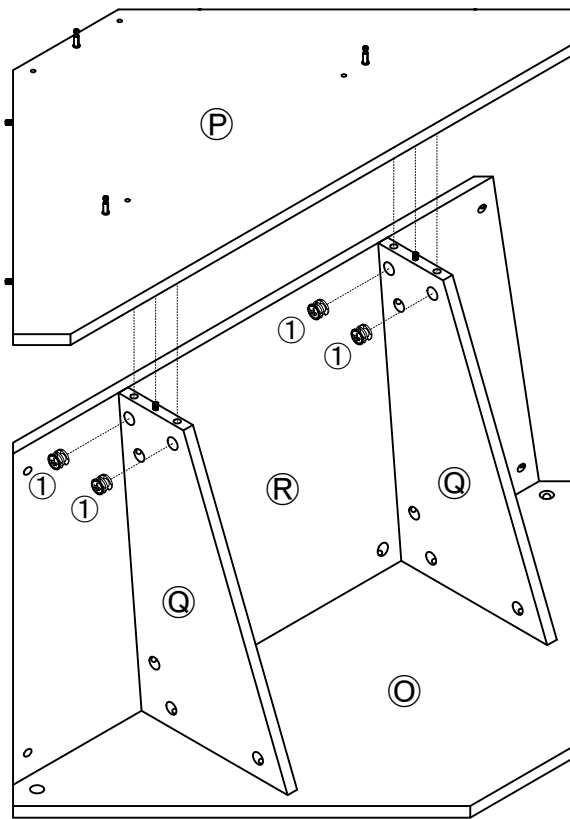
Assembly Step

Step 25



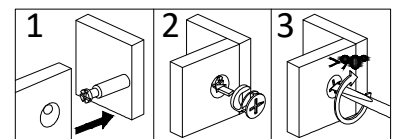
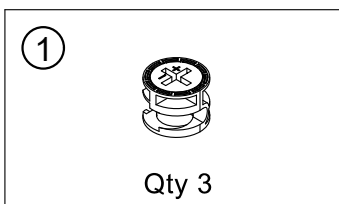
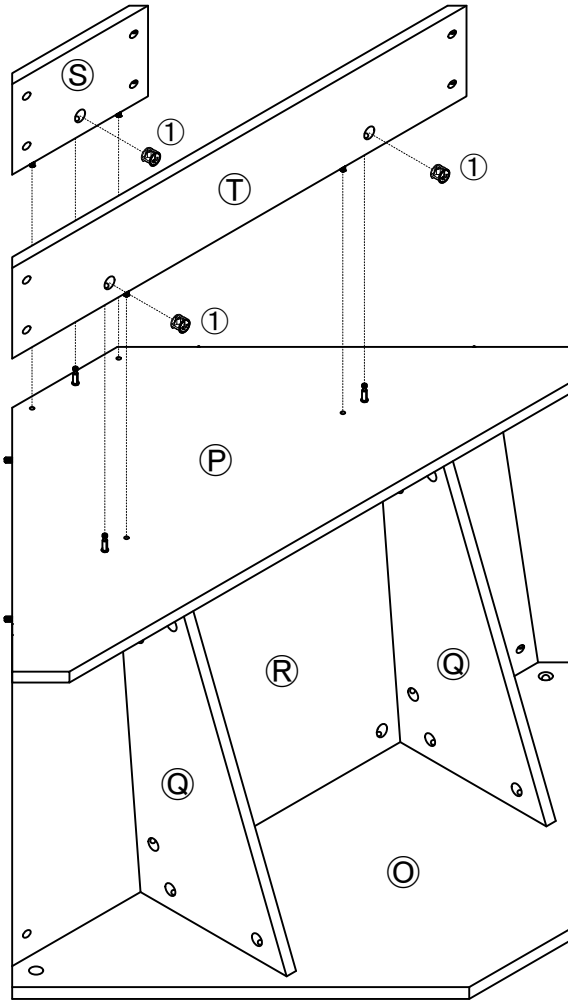
Assembly Step

Step 26



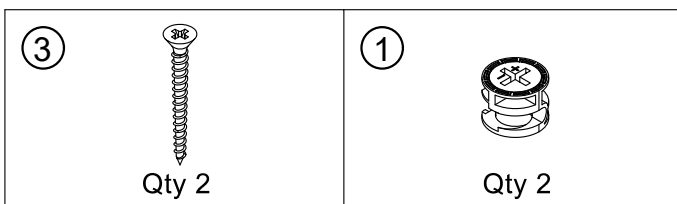
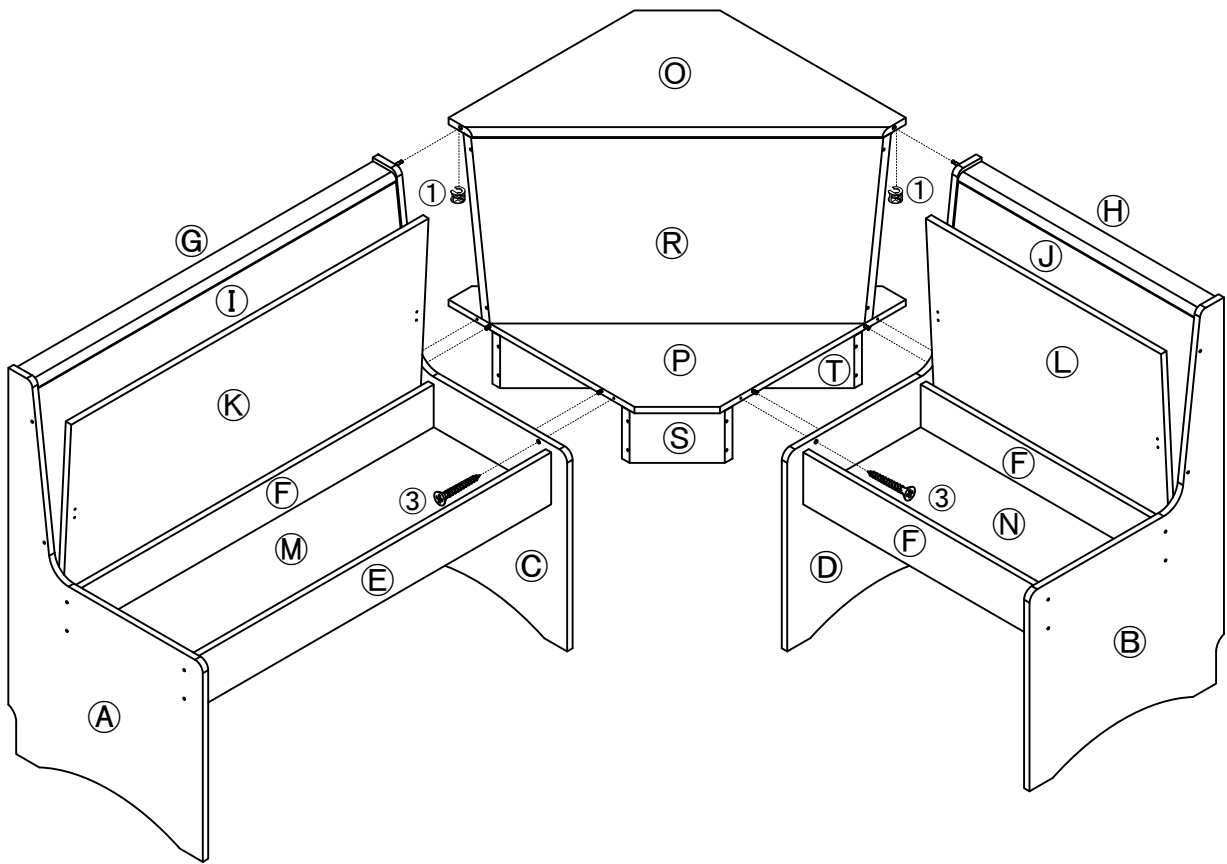
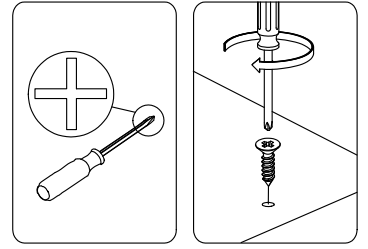
Assembly Step

Step 27



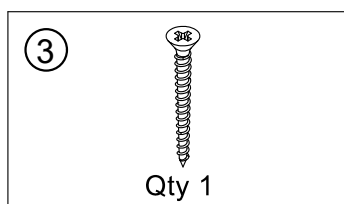
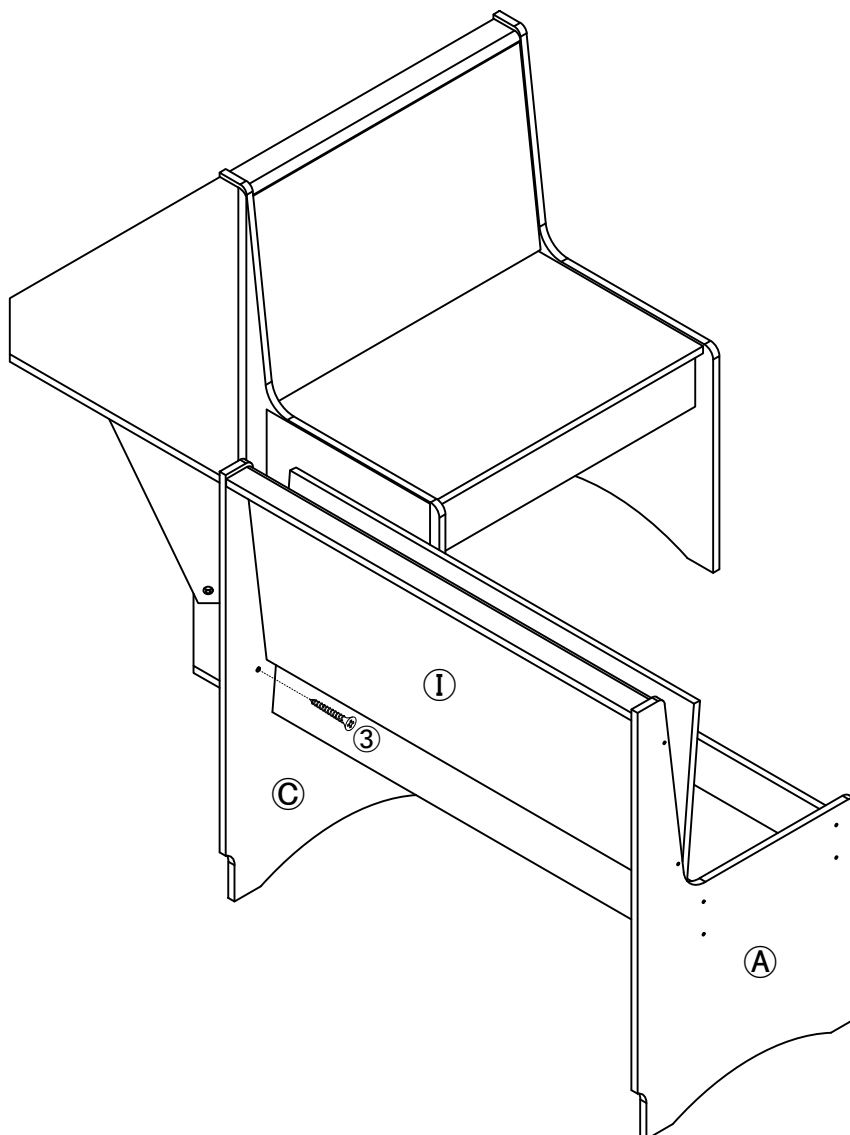
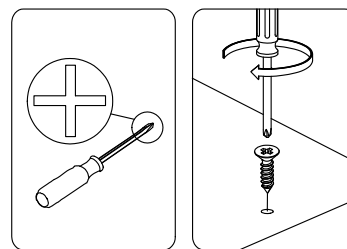
Assembly Step

Step 28



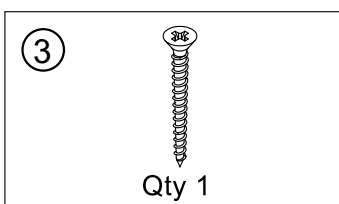
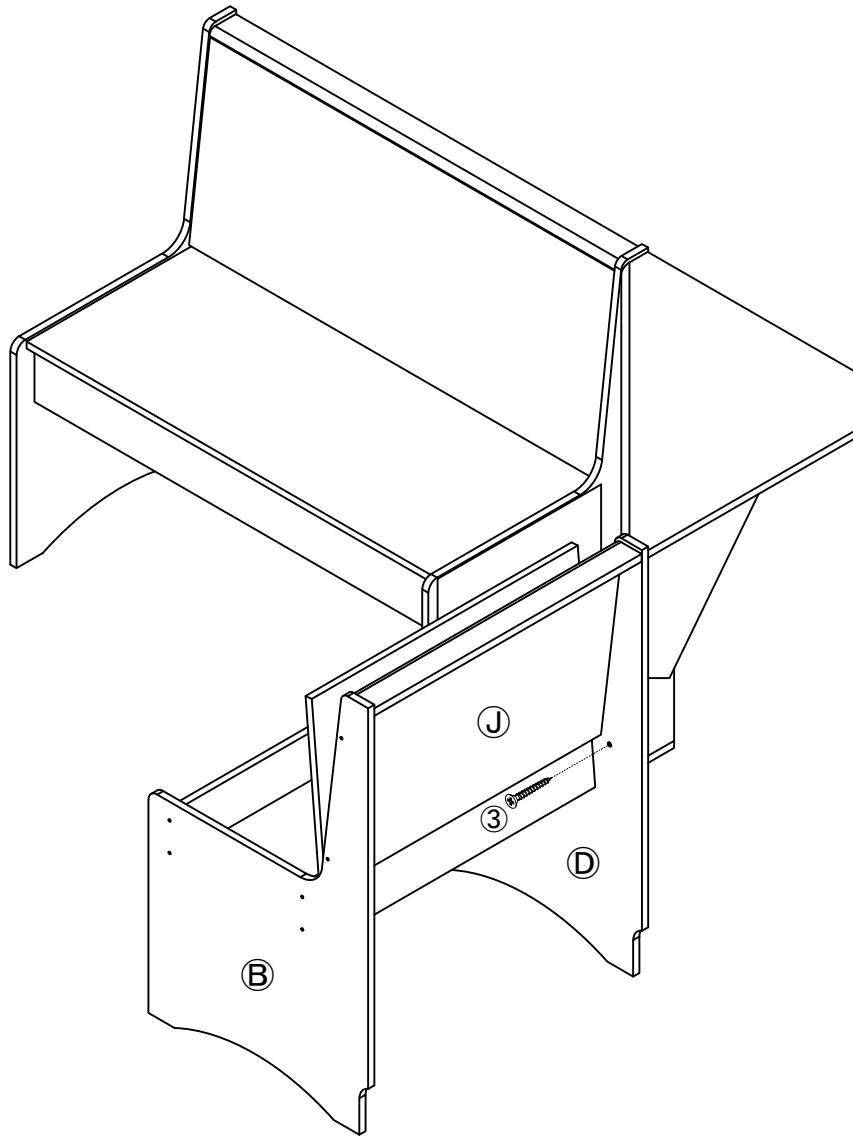
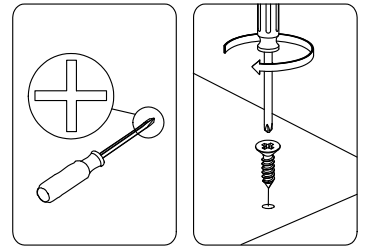
Assembly Step

Step 29



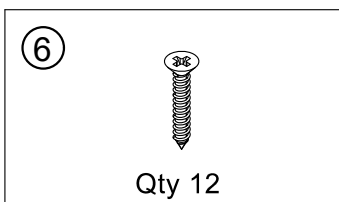
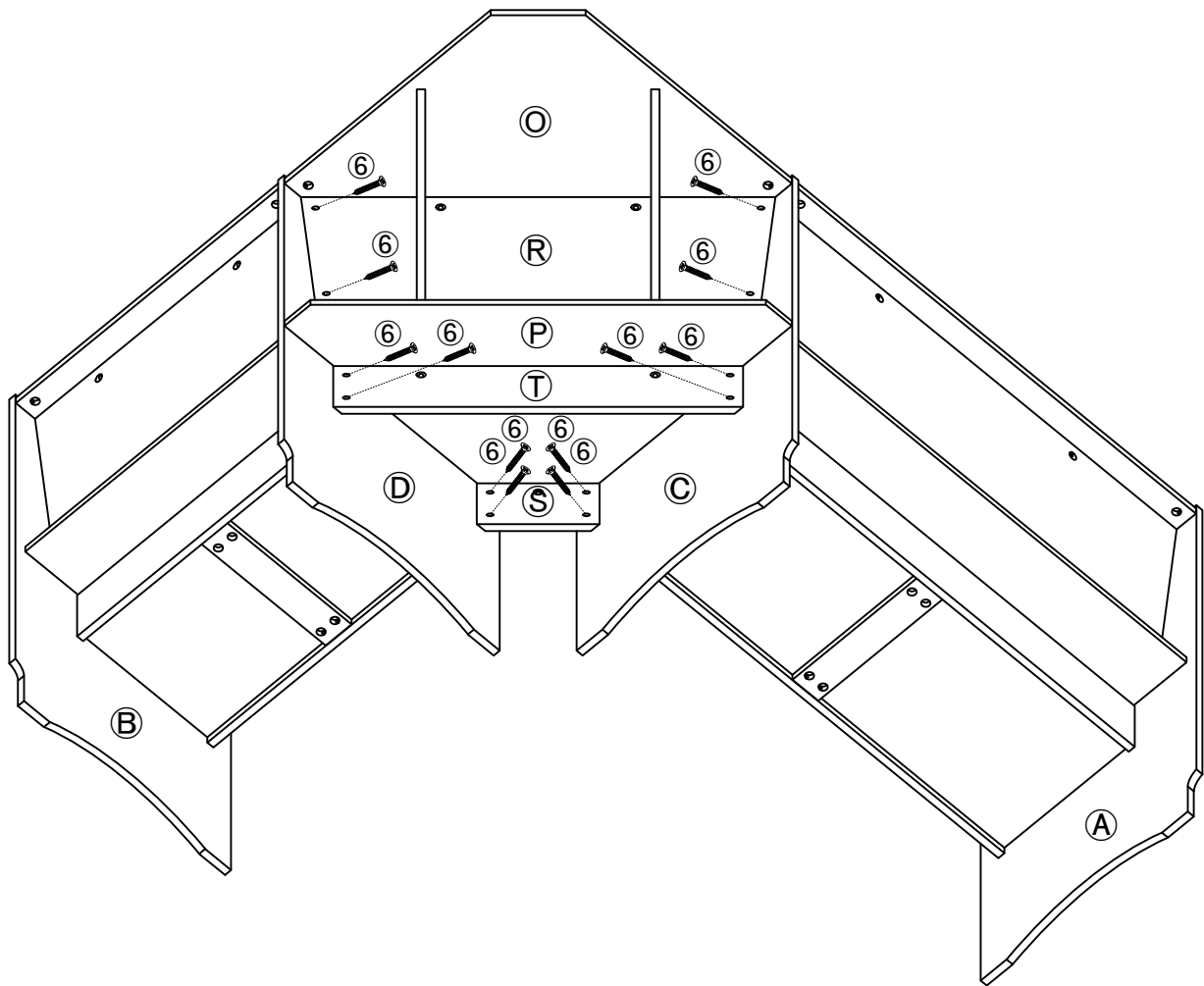
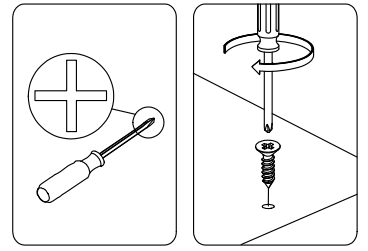
Assembly Step

Step 30



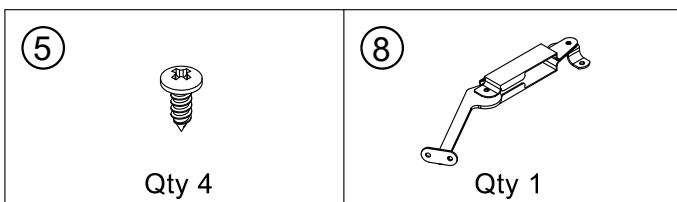
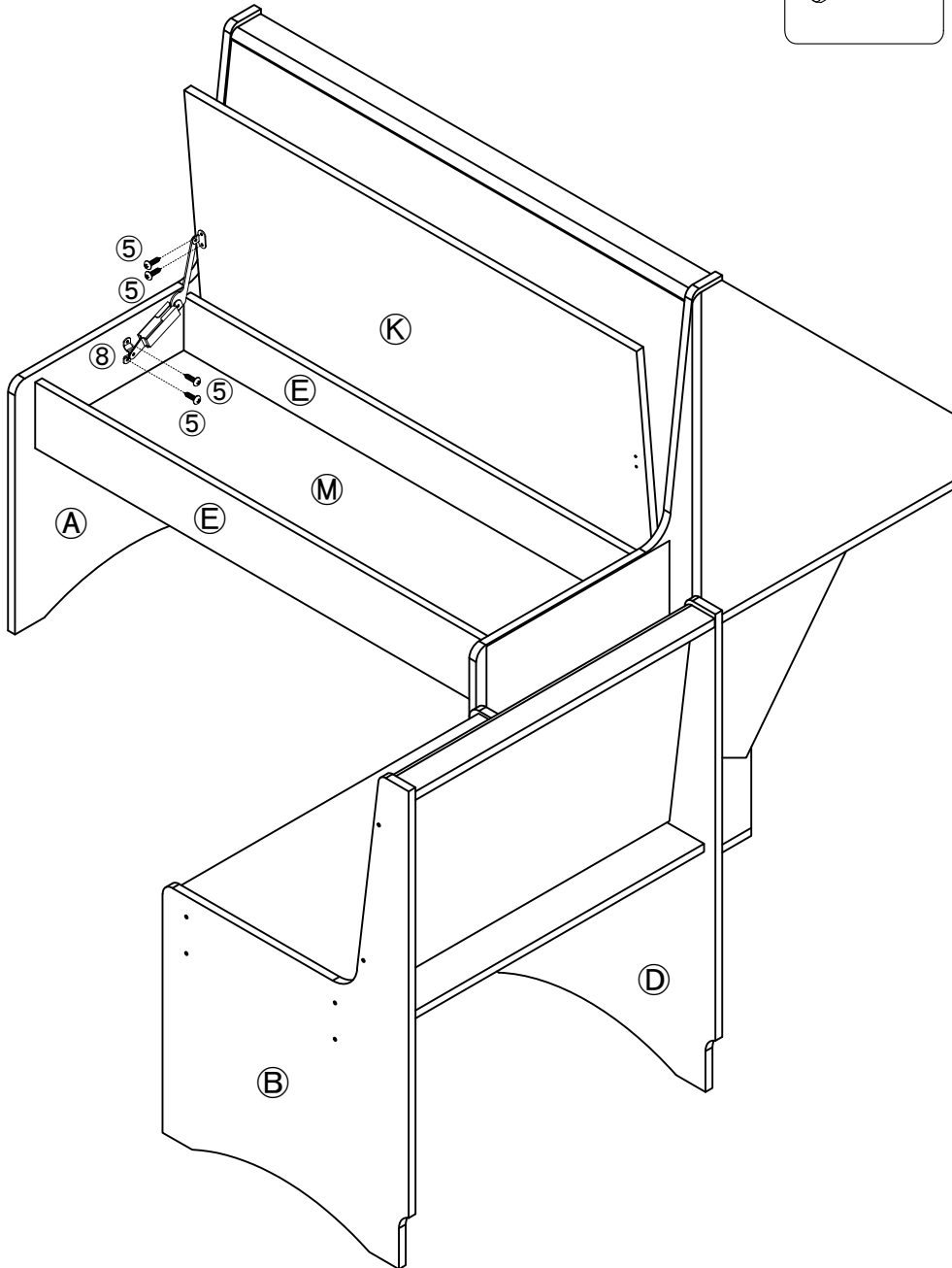
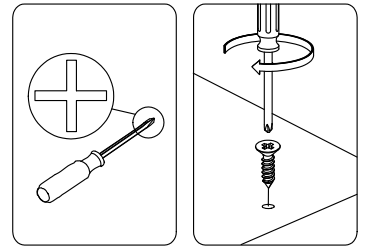
Assembly Step

Step 31



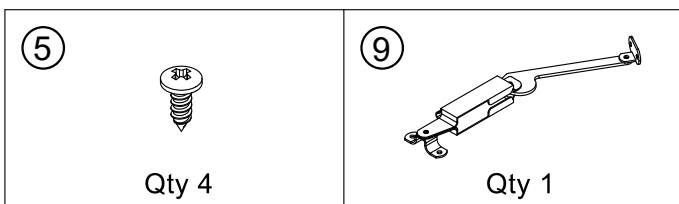
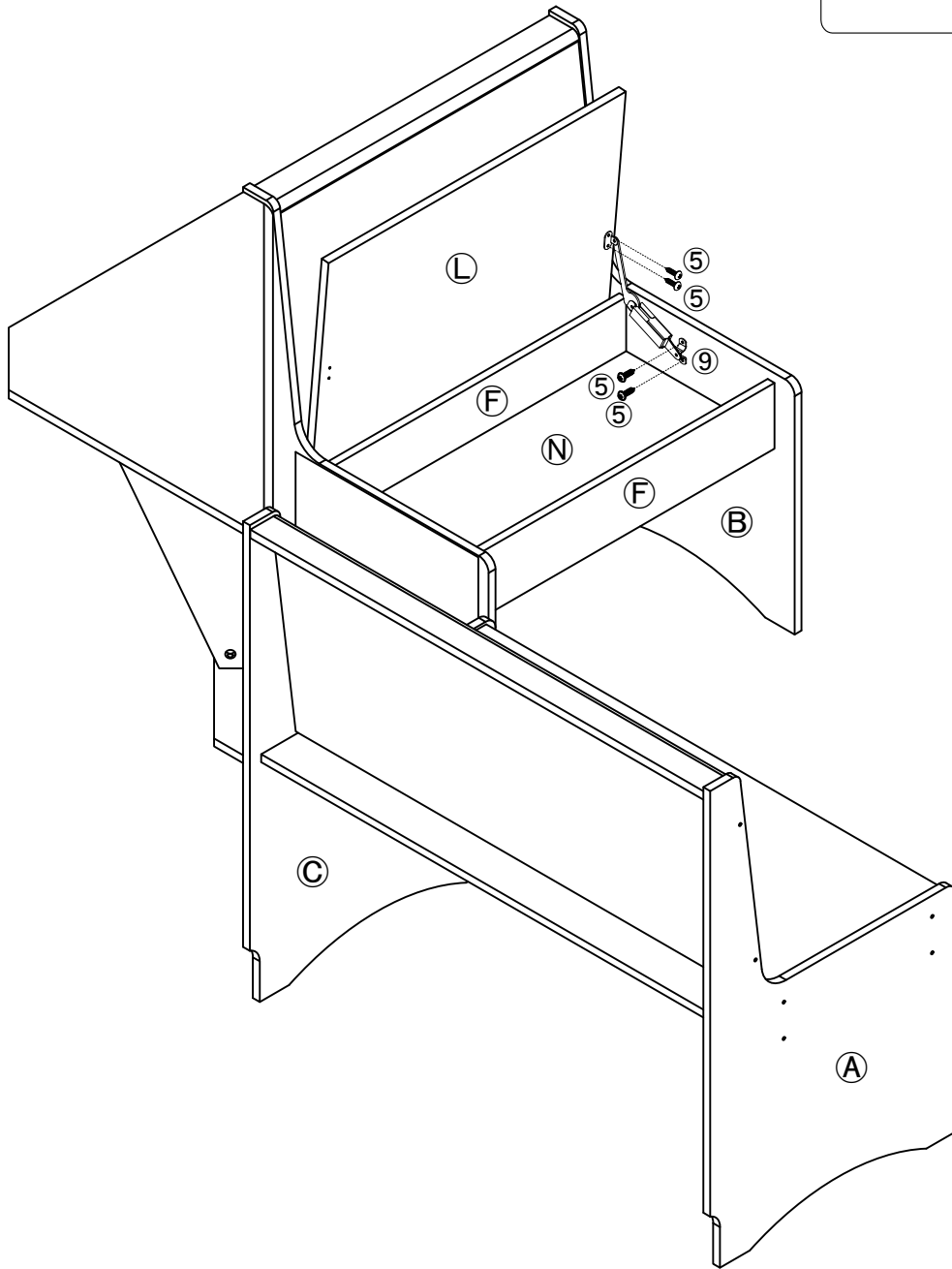
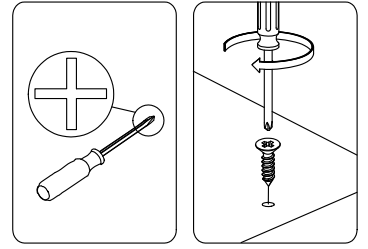
Assembly Step

Step 32



Assembly Step

Step 33



Assembly Step

Step 34

