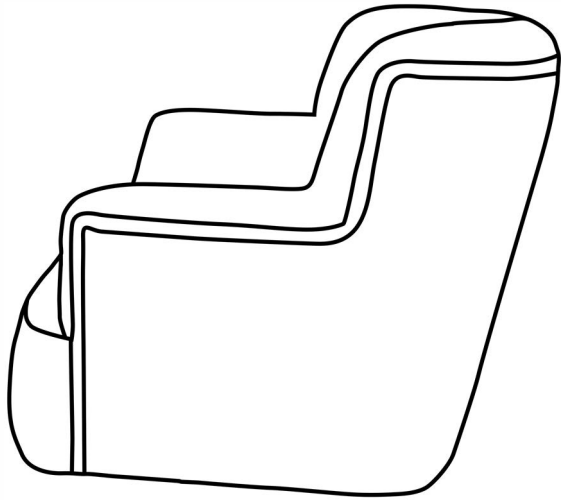
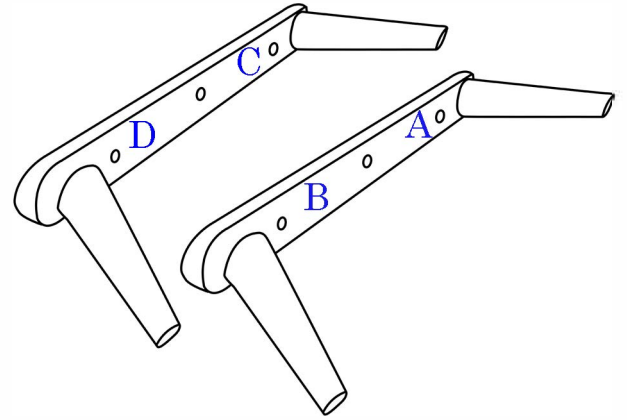


ASSEMBLY INSTRUCTIONS

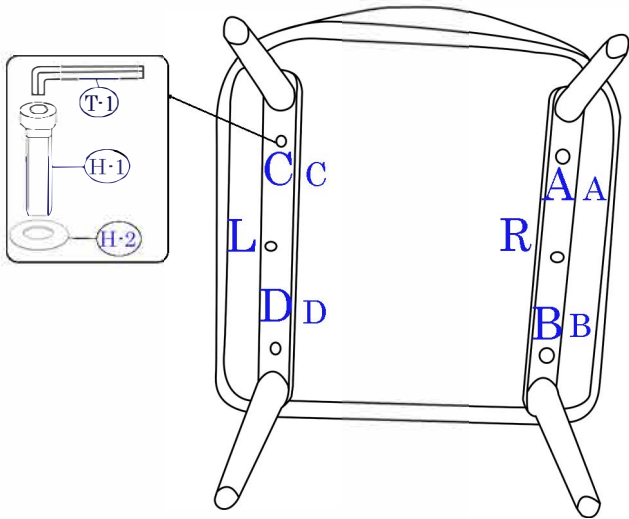


SEAT - 1 PC.

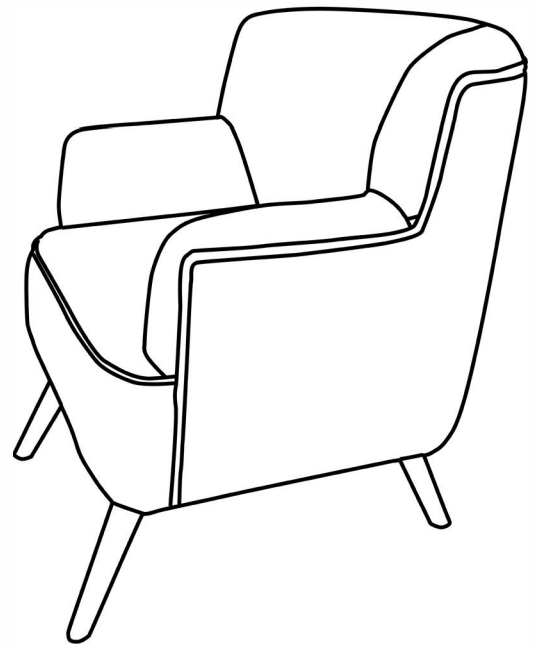


WOOD LEGS - 2 PCS.

ASSEMBLE OF LEG



BOTTON VIEW



FRONT VIEW

CODE	DESCRIPTION	QTY
H-1	BOLT	6 PCS
H-2	FLAT WASHER	6 PCS
T-1	ALLEN KEY	1 PC

ITEM ID	ACCHR46095MLT2628
DIMENSION	LXWXH 30X32X33
MATERIAL	Wood-MANG●
REMARK	