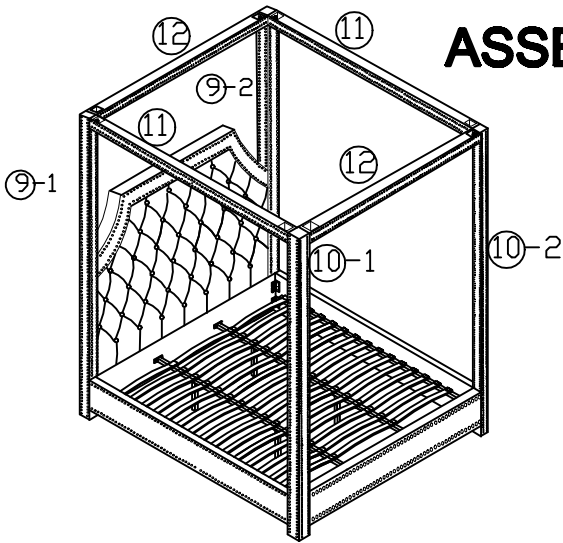


# ASSEMBLY INSTRUCTIONS

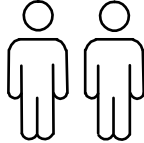
## BED - king



**+ Do Not Use Power Tools**



**+ Suggested Adults**



### NOTE:

- 1 Read instructions cover to cover.
- 2 Save all packaging until assembly is completed.

### 1 IMPORTANT SAFETY INFORMATION

Do not assemble the product if any of the following parts arrived damaged:

- Part #③ -Side Rails
- Part #⑤ -Center Support Bar
- Part #⑥ -Support Legs
- Part #⑦ -Slats

### 2 IMPORTANT ASSEMBLY INFORMATION

Assembly Step ③ Ensure the side rail bracket is fully hooked onto bolt A loosely threaded with both washers on the OUTSIDE of the bracket first, then proceed to fully tightening all 4 corners.

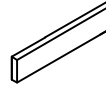
Assembly Step ⑩ When installing slats, ensure that the curve is facing upwards. (↖) (↘)  
 \*Slats come packed in the bottom of headboard carton.

### + Parts Included

① Head Board (1pc)



② Foot Board (1pc)



③ Side Rails (2pcs)



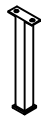
④ Double Plastic cap (30pcs)



⑤ Center Support Bar (2pcs)



⑥ Support Legs (4pcs)



⑦ Slats (45pcs)



⑧ Single Plastic cap (30pcs)



⑨ Bar 2pcs  
⑨-1 ⑨-2

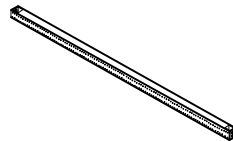


⑩ Bar 2pcs  
⑩-1 ⑩-2



\*Slats come packed in the bottom of headboard carton.

⑪ Bar 2pcs



⑫ Bar 2pcs



### + Hardware Included

A Bolt M8\*30mm (32pcs)



C Nut M8\*13mm (26pcs)



D Spring Washer (16pcs)



E flat washer 10x20mm (32pcs)



F M8 Allen Key 1pc



G Spanner 1pc



H M8\*82mm (26pcs)



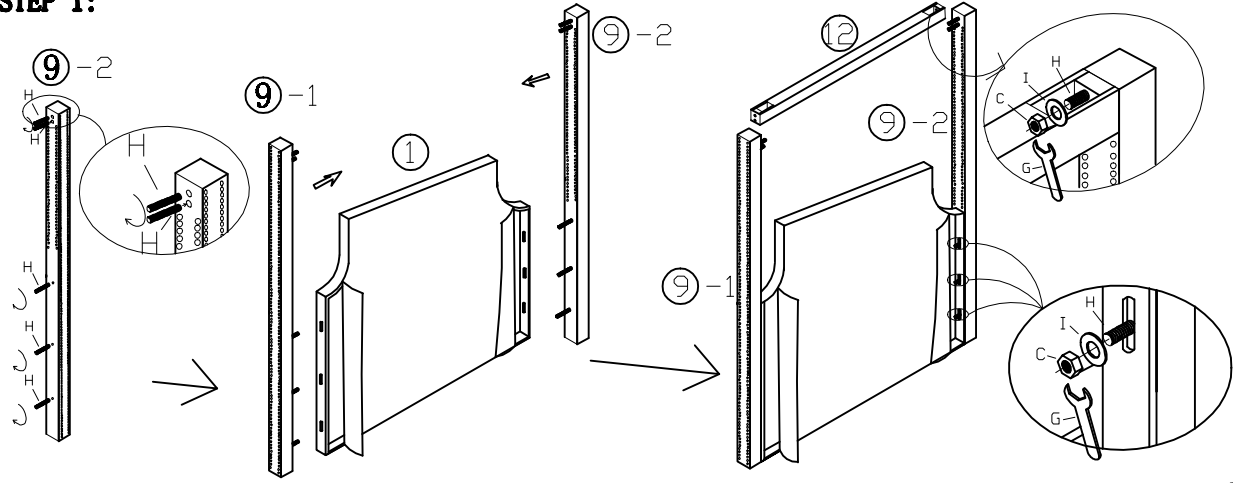
I flat washer 10x22mm (18pcs)



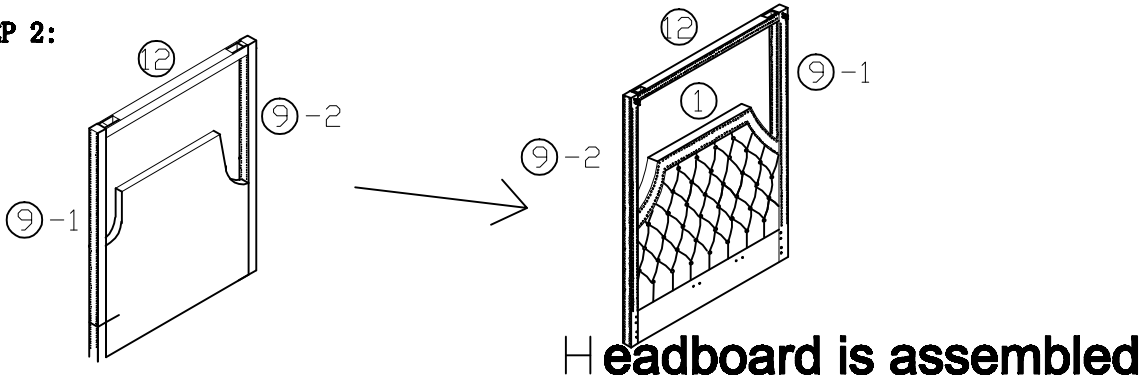
# ASSEMBLY INSTRUCTIONS

## BED - king

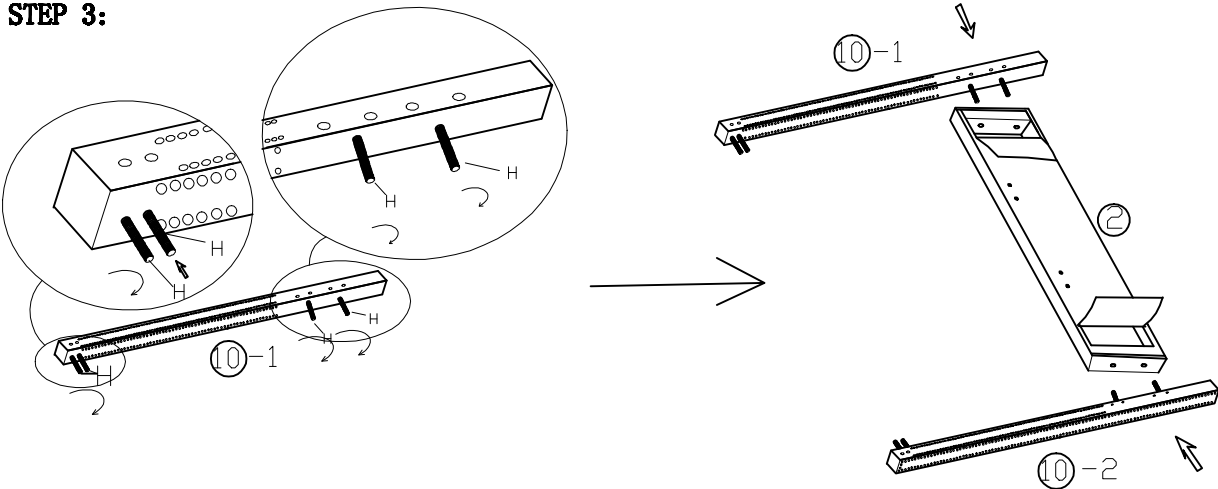
### STEP 1:



### STEP 2:



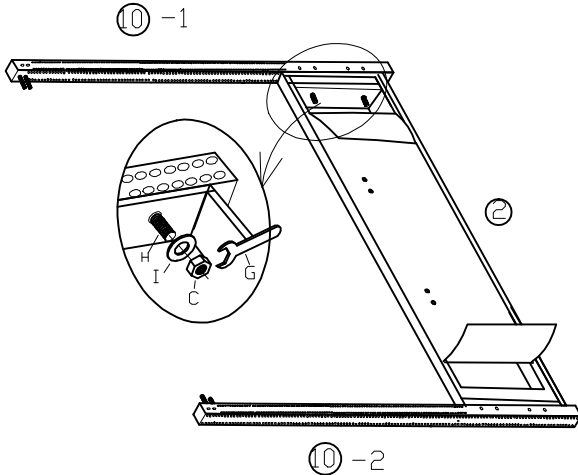
### STEP 3:



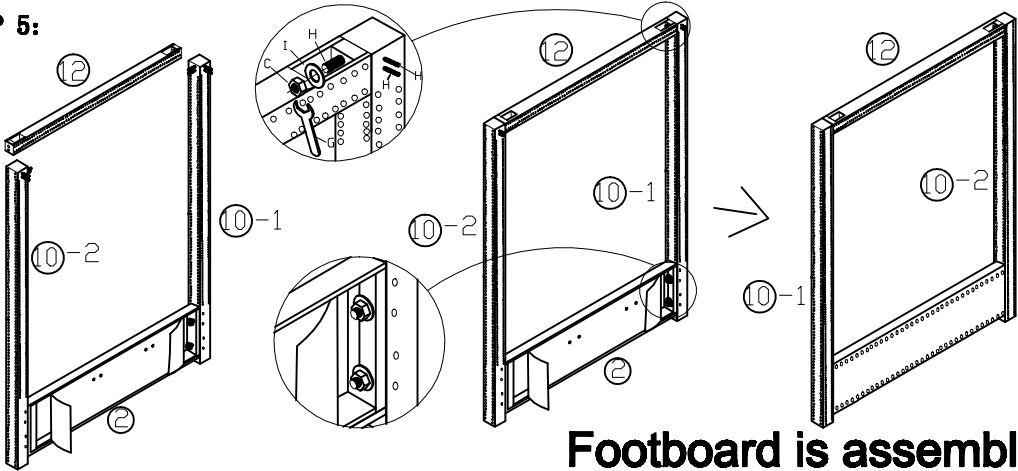
# ASSEMBLY INSTRUCTIONS

## BED - king

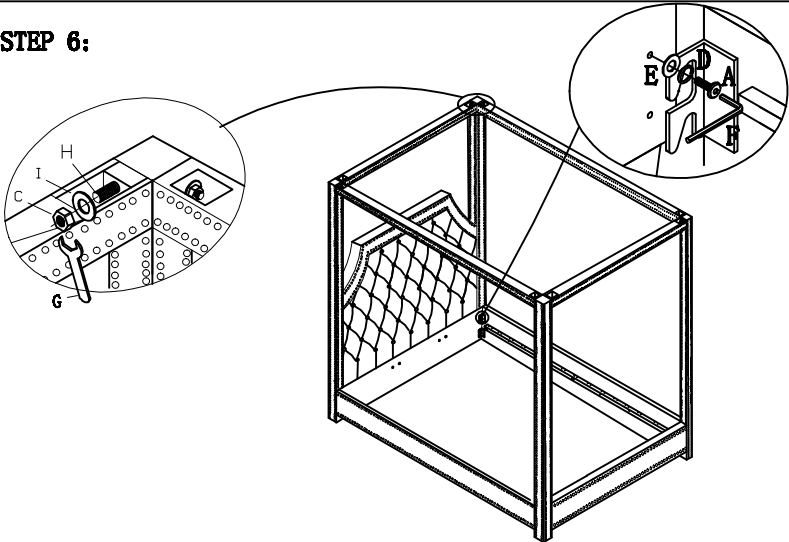
STEP 4:



STEP 5:



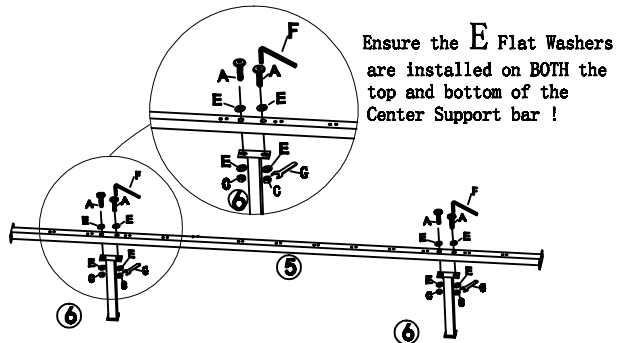
STEP 6:



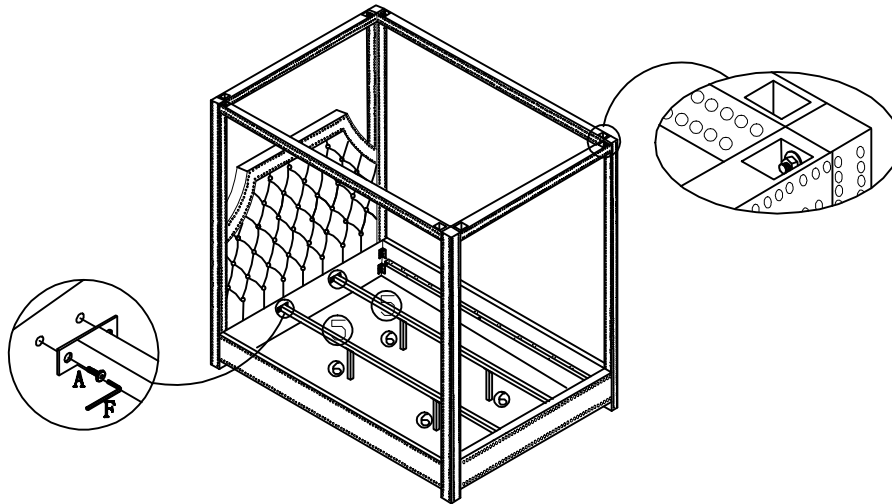
# ASSEMBLY INSTRUCTIONS

## BED - king

STEP 7:

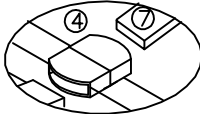
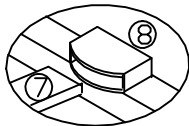


STEP 8:



STEP 9:

**When installing slats, ensure that the curve is facing upwards.** (✓) (✗)



packed in the bottom of headboard carton.

