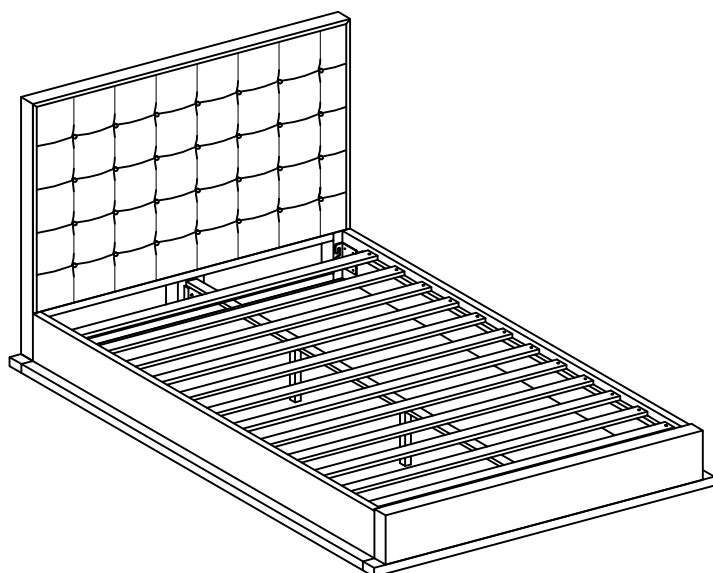




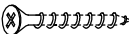




Thank you for purchasing the **BED** !

Before you start, here is some helpful advice:

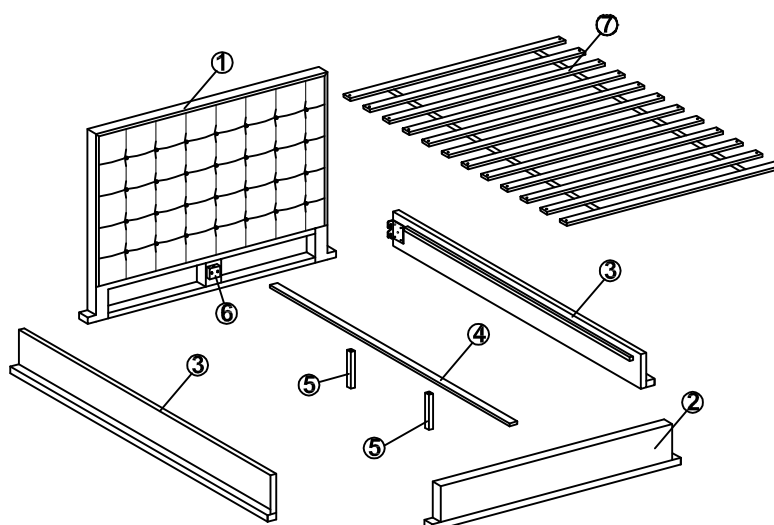
1. We suggest you spend a short time reading through this leaflet and then follow the simple step by step instructions.
2. Owing to the size and weight of the bed, we recommend that it is assembled by two adults, on a carpeted or padded area, in the room that it is intended for. Approx assembly time: 20 minutes.
3. Please do not use any tools other than those provided or recommended in these instructions.
4. Please do not throw away any of the packaging or the instruction until you have checked all the components and hardware and the furniture is fully assembled.
5. Assemble all components loosely until advised to tighten. Depending on use, it may be necessary to tighten the components from time to time, so please save the tools that has been provided.
6. Please keep all small pieces out of reach of children.



Hardware for Bed

| | | | |
|---|--|---------------------|----|
| A |  | JCBC M6 x 40MM | x8 |
| B |  | JCBB M8 x 35MM | x8 |
| C |  | CSK SCREW M4 X 32MM | x6 |
| D |  | ADJUSTER | x2 |
| E |  | M4 ALLEN KEY | x1 |
| F |  | M5 ALLEN KEY | x1 |
| G |  | FLAT WASHER | x4 |

Component :



1- HEADBOARD

3- SIDE RAIL

5- SUPPORT LEG 7- SLAT

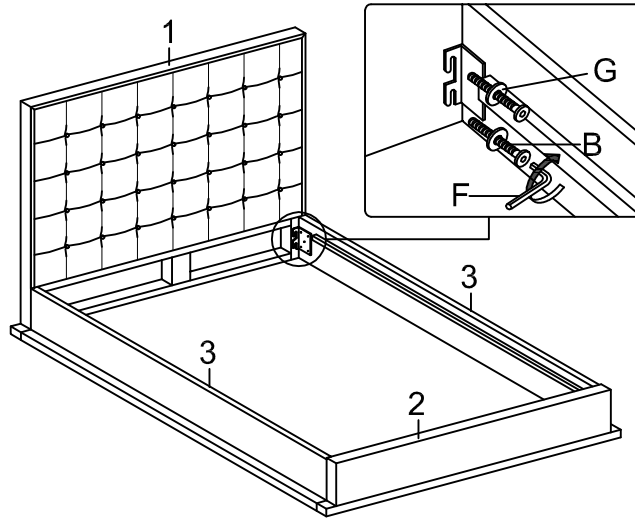
2- FOOTBOARD

4- CENTER SUPPORT

6- SUPPORT BAR

STEP 1:

Place **Headboard (1)** , **Footboard (2)** and **Siderail (3)** on a carpeted or padded area as shown. Attach **Siderail (3)** into **Headboard (1)** and **Footboard (2)** by inserting **Flat Washer (G)** and **JCBB 35mm Bolt (B)** into the holes **Headboard (1)** and **Footboard(2)**. Tighten with **M5 Allen Key (F)**.

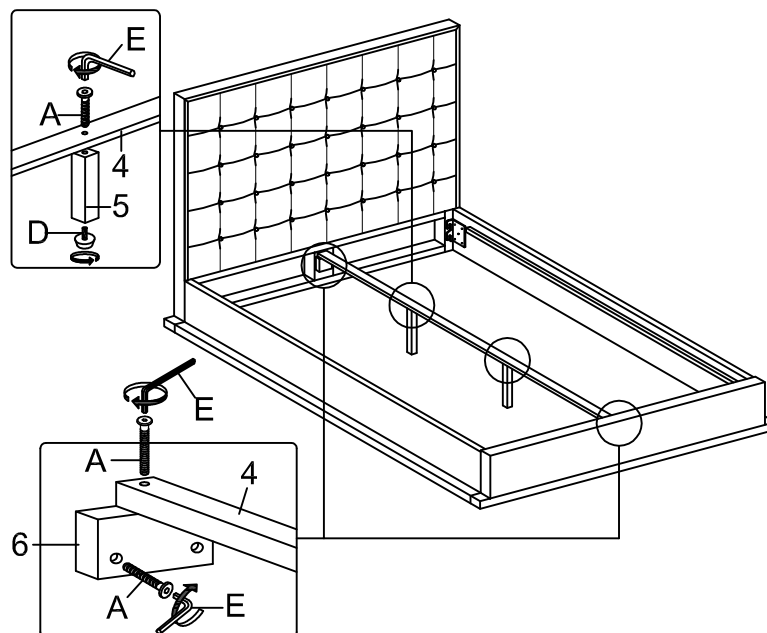


| | | |
|-----|-----|-----|
| | | |
| Bx8 | Gx8 | Fx1 |

Hardware & Tool required

STEP 2:

1. Attach the **Support Bar (6)** to the predrilled hole at center of **Headboard (1)**. Place the JCBC bolt 40MM and tighten by using **M4 Allen Key(E)**. Repeat again at **Footboard(2)**.
2. Place the **Center Support (4)** as per picture shown and attach **JCBC bolt 40MM(A)** and tighten using **M4 Allen Key(E)**. Repeat again at **Footboard(2)**
3. Attach the **Adjuster(D)** to the two **support leg(5)**.
4. Attach the **Support Leg(5)** to the **Center support (4)** as shown in diagram., Insert **JCBC 40MM (A)** to the predrilled hole and tighten by using **M4 Allen Key(E)**

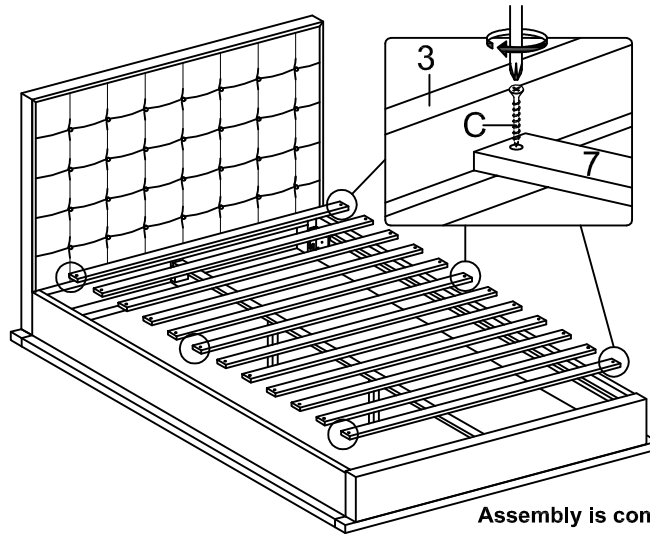


| | | |
|-----|-----|-----|
| | | |
| Ax8 | Dx2 | Ex1 |

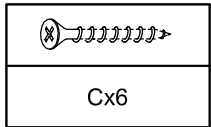
Hardware & Tool required

STEP 3:

Attach **Slat (7)** into **bed** by inserting **CSK screw (C)** into the predrilled holes on the **Slat (7)**. Tighten with **Screwdriver (Not provided)**.



Assembly is completed. The bed is ready to enjoy now!



Hardware & Tool required