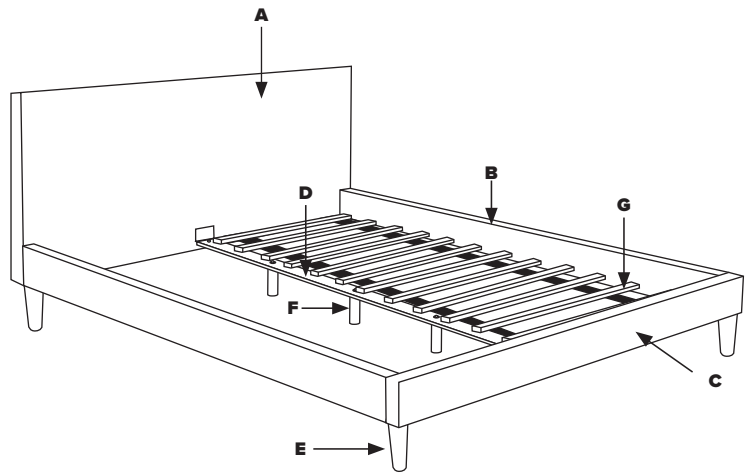


PLATFORM BED

FOR ALL BED SIZES


Components

ITEM	DESCRIPTION	QTY
A	Headboard	1
B	Upholstered Side Rail	2
C	Upholstered Foot Rail	1
D	Vertical Support Rail	1
E	Wood Corner Legs	4
F	Wood Support Legs	3
G	Wooden Slat Rolls <i>(Number of slat rolls changes depending on bed size)</i>	1 or 2



Please note: actual product may look different than illustration.

HARDWARE

(H1) x 7 — 1" x 1/4" washer — 

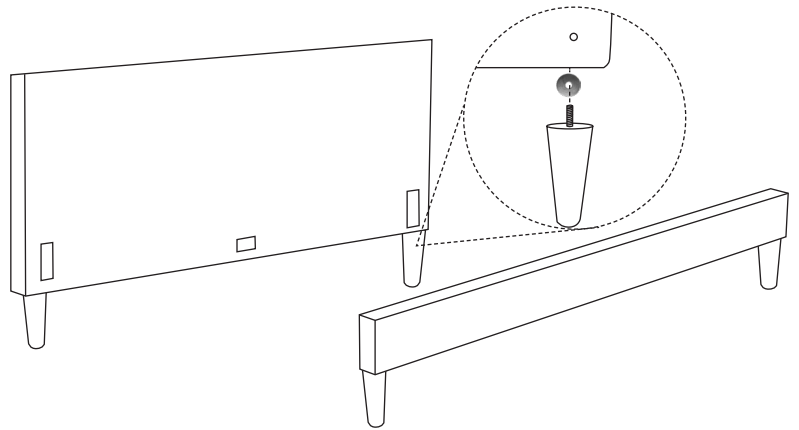
(H2) x 8 — 1" - 1/2" wood screw — 

Please note: This assembly requires two people & a phillips head screwdriver.

Step 1

1.1

Place (A) headboard and (C) upholstered foot rail on a flat surface, and attach (E) wooden corner legs using (H1) washer.

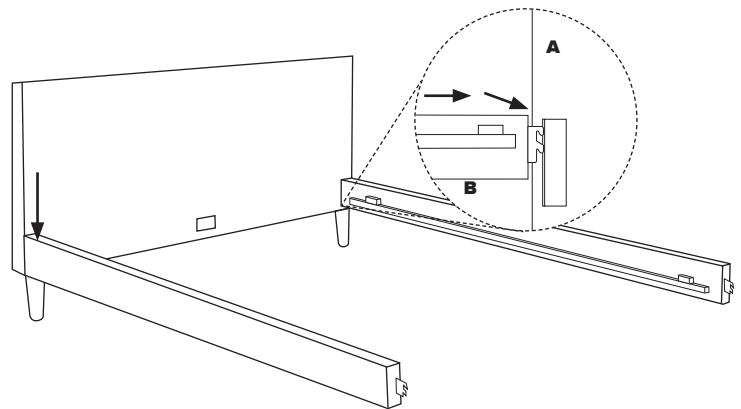


1.2

Align hooks on (B) side rails with (A) headboard and slide in and down to secure.

Please note: (B) Side rails will line up flush with bottom of (A) headboard once secured properly.

We recommend one person holds (A) headboard while another secures (B) side rails.

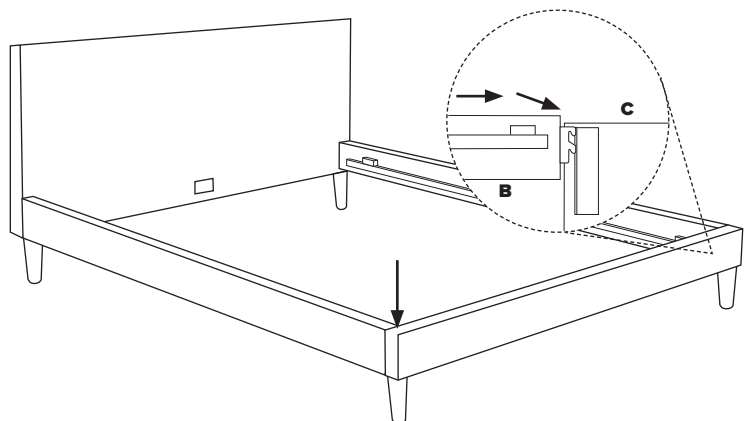


1.3

Align hooks on (B) side rails with (C) upholstered foot rail and slide in and down to secure.

Please note: (B) Side rails will line up flush with bottom of (C) upholstered foot rail once secured properly.

We recommend one person holds (C) foot rail while another secures (B) side rails.

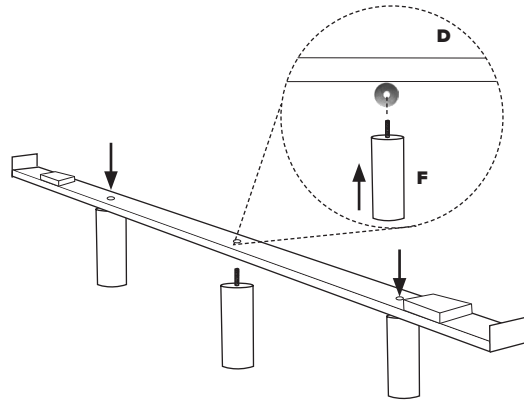


Step 2

2.1

Attach (F) wood support legs to (D) vertical support rail using (H1) washers.

Please note: (D) vertical support faces up with visible wooden slat stoppers.

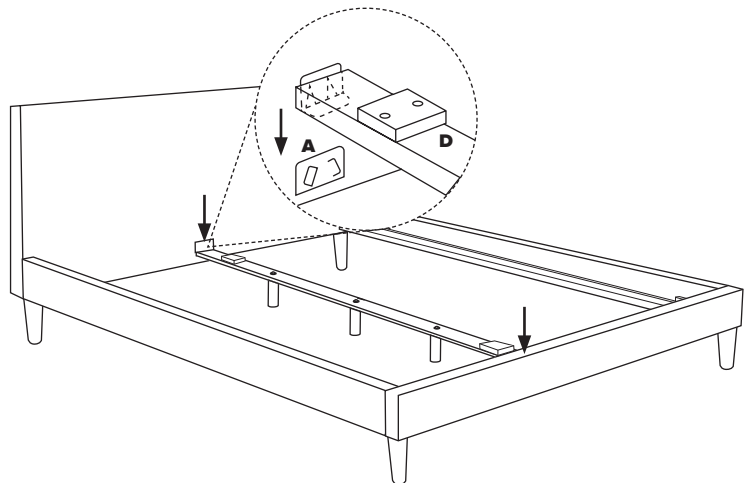


2.2

Attach (D) vertical support rail to (A) headboard and (C) upholstered foot rail.

Please note: We recommend one person attaches to (A) headboard while another attaches to (C) upholstered foot rail.

This step can be skipped on a Twin Size only.



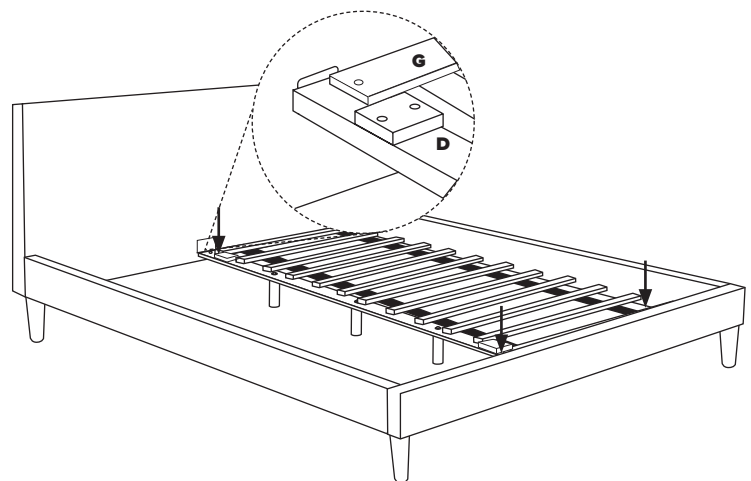
2.3

Lay (G) wooden slat rolls on top of (D) vertical support rail. (G) slat rolls must sit on the outside of each slat stopper block. This holds the slats in place.

1 slat roll is provided for Twin size. 2 slat rolls are provided for sizes Full-California King.

Please note: We recommend one person stretches (G) slat rolls towards (A) headboard while another stretches towards (C) upholstered foot rail.

The single slat roll on a Twin Size will span the entire width of bed. Adjust to sit on the outside of each slat stopper block.

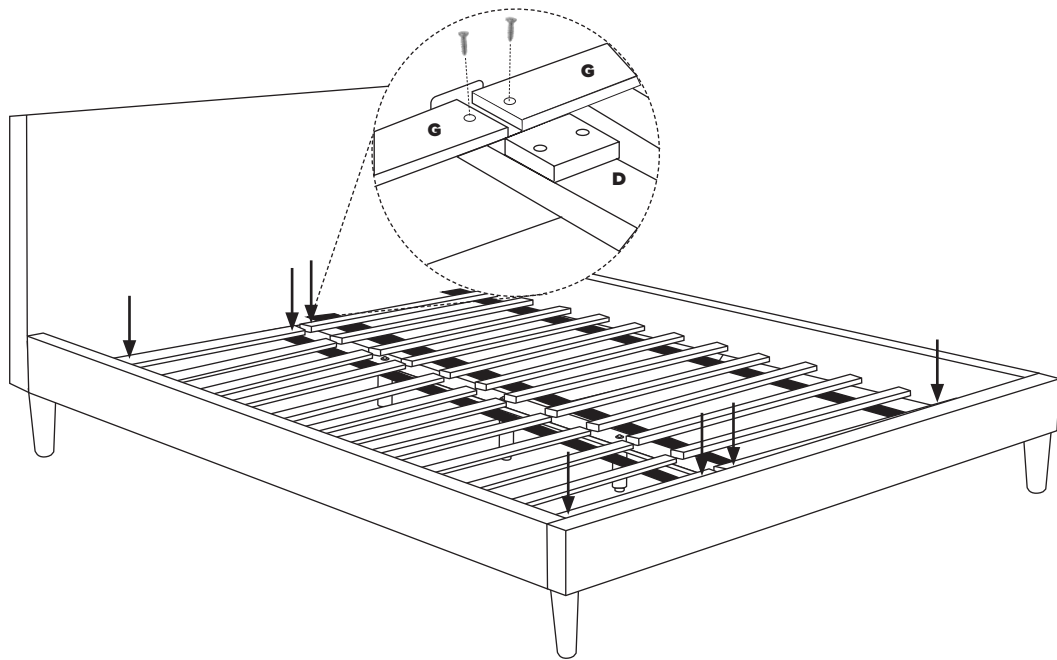


Step 3

3.1

Attach (G) wooden slat rolls to inside wooden supports of (B) upholstered side rails using (H2) wood screws.

Please note: You will need a phillips head screwdriver to secure tightly.



Warranty

LIMITED WARRANTY

Skyline Furniture Inc. guarantees its upholstered furniture against defects in construction for a period of one (1) year. When a structural defect is brought to our attention, we will repair or replace it at our option at no charge to the customer (includes parts and labor, not transportation costs). Fabric wearability for upholstered furniture is not covered by the warranty. Vacuum for regular cleaning.

Please dispose of plastic bag(s) and carton(s) responsibly.

LIMITE DE GARANTIA

Skyline Furniture Inc. garantiza sus muebles tapizados contra defectos en construcción por un periodo de un (1) año. Cuando un problema de estructura es traído a nuestra atención, nosotros repararemos o remplazaremos sin ningún cargo a nuestro cliente (incluye partes y trabajo, no costo en transportación). Descoloramiento del material de muebles tapizados no es cubierto por la garantía. Regularmente puede aspirar.

Por favor tirar bolsa(s) y caja(s) responsablemente.

GARANTIE LIMITÉE

Skyline Furniture Inc. garantit son meubles rembourrés contre les défauts de construction pour une durée d'un (1) an. Lorsqu'un défaut structurel est porté à notre attention, nous le réparerons ou le remplacerons à notre discrétion sans frais pour le client (comprend les pièces et la main d'oeuvre, pas les frais de transport). La portabilité du tissu pour les meubles rembourrés n'est pas couverte par la garantie. Passez l'aspirateur pour un nettoyage régulier.

Veillez jeter le(s) sac(s) en plastique et le(s) carton(s) de manière responsable.