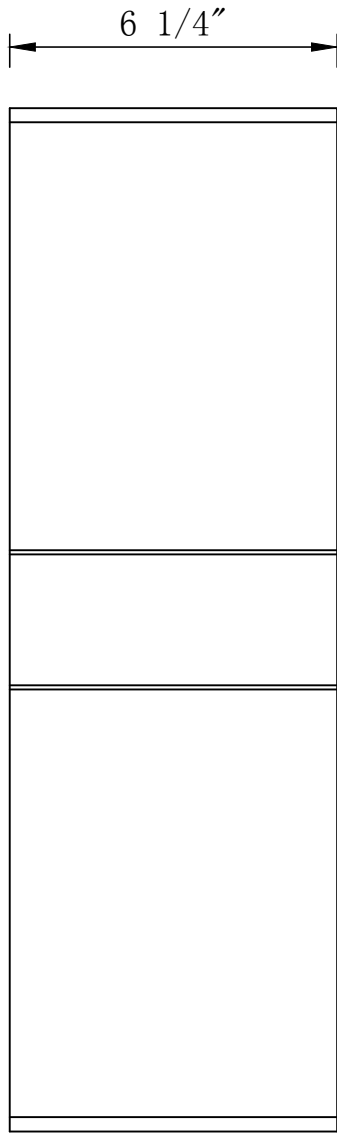
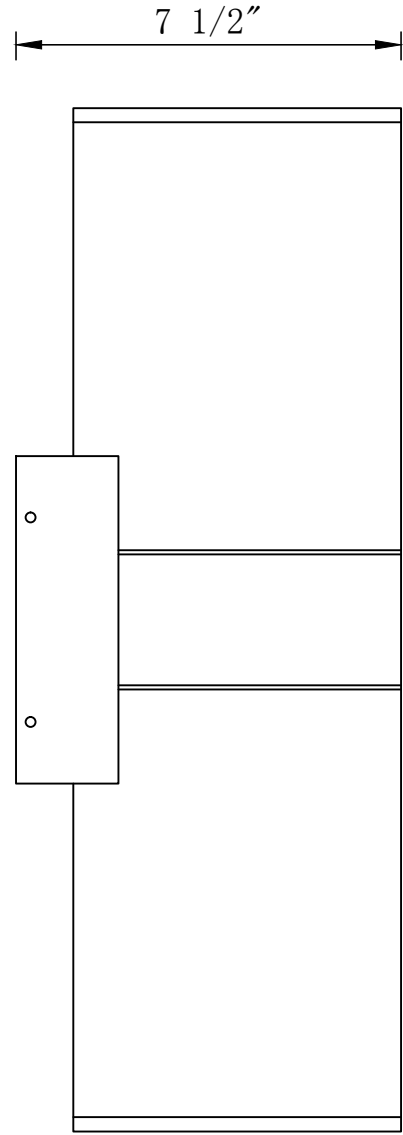


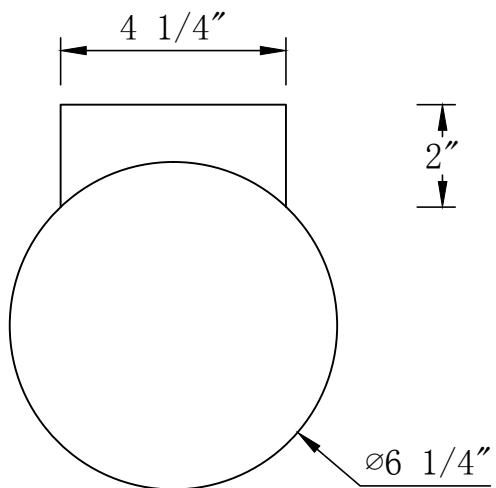
# Dimensions



FRONT VIEW



SIDE VIEW



TOP VIEW