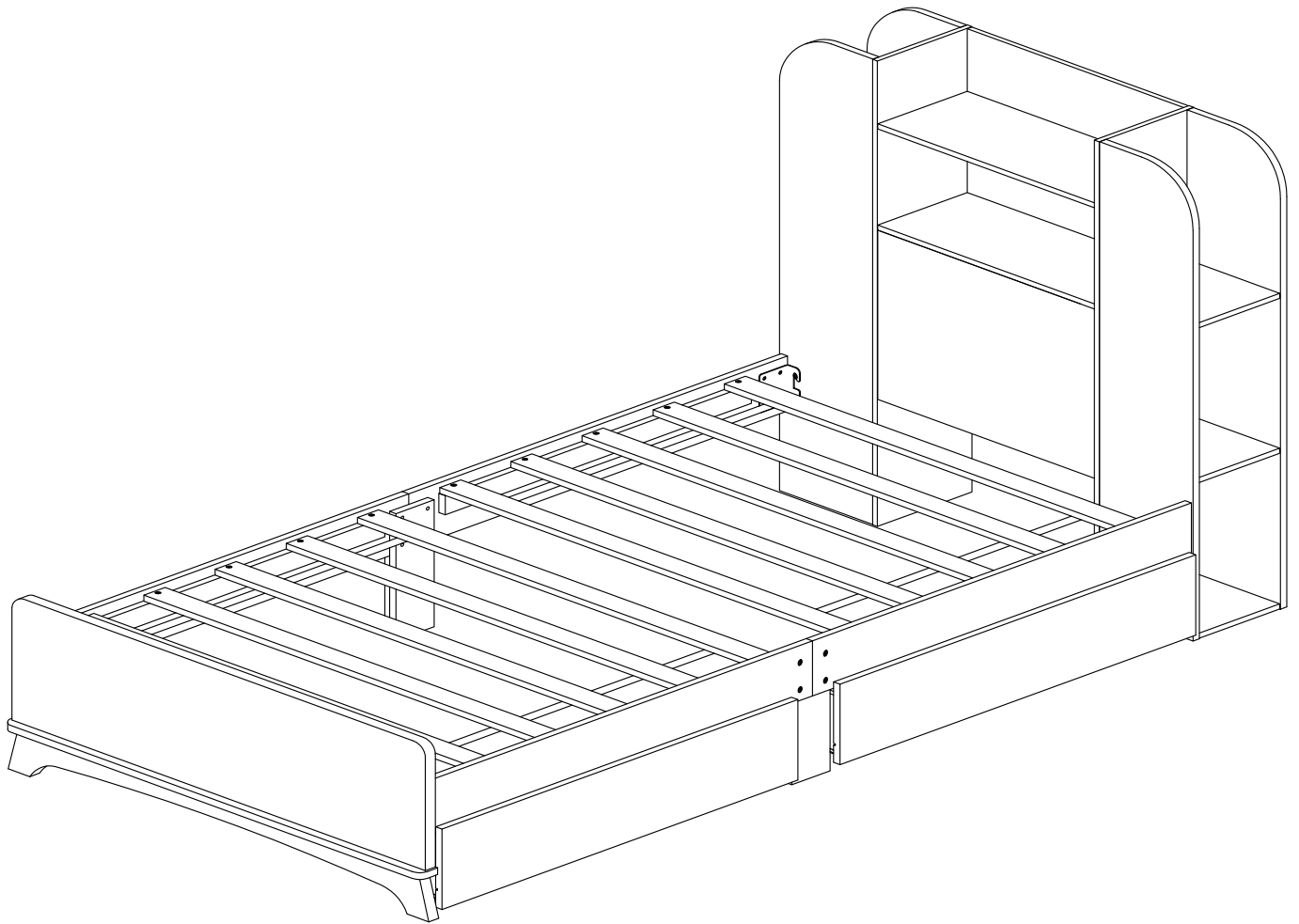


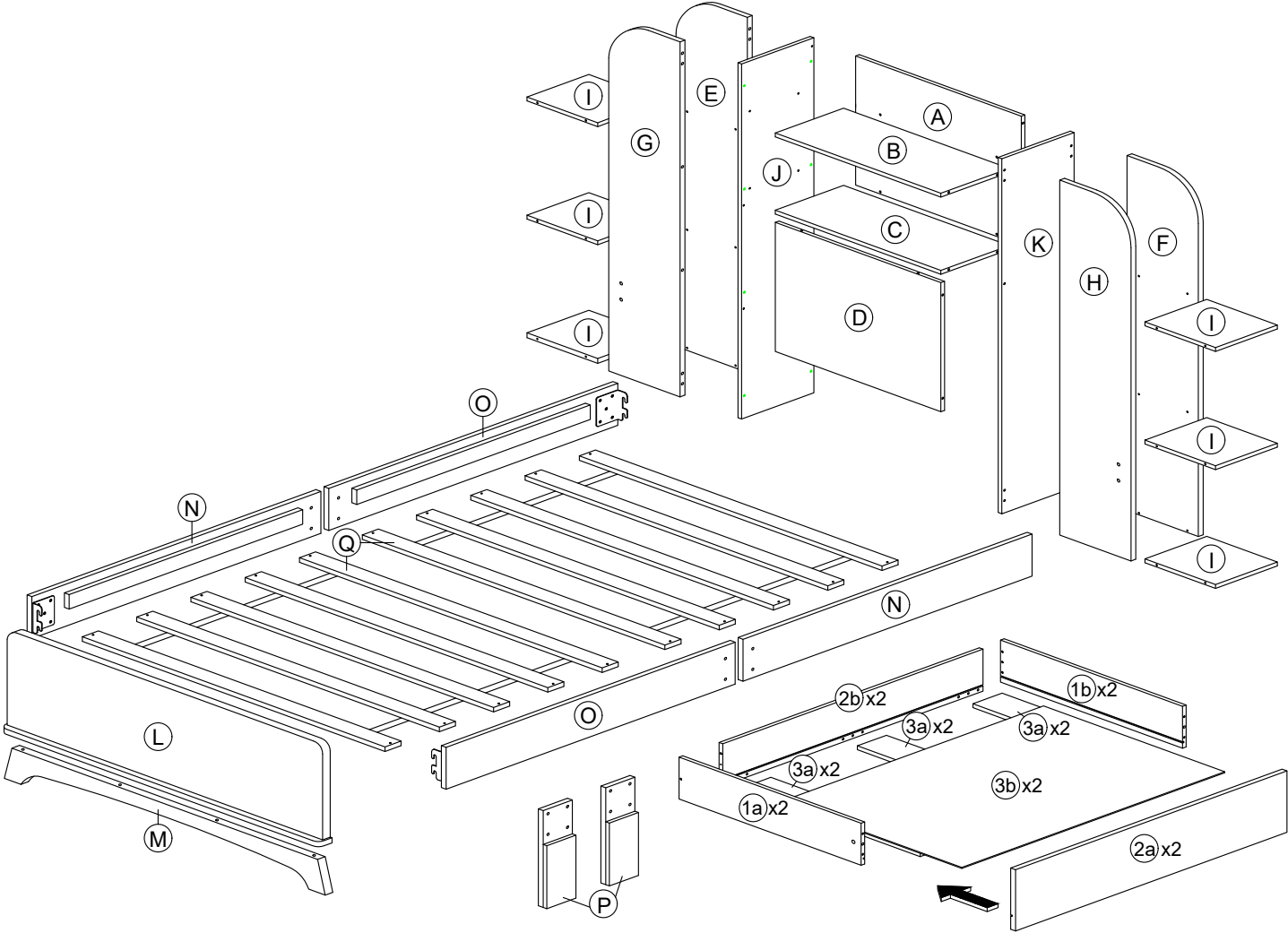
# ASSEMBLY INSTRUCTION

(Twin : Drawers Bed)



# ASSEMBLY INSTRUCTION

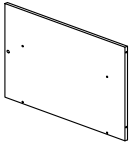
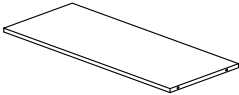
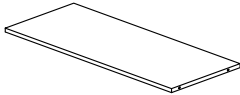
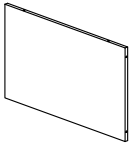




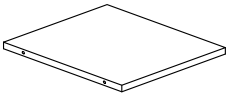


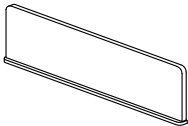
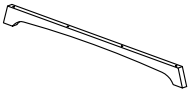
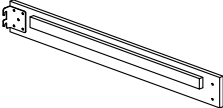
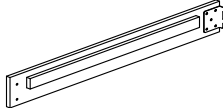
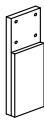
## (Twin : Drawers Bed)



# ASSEMBLY INSTRUCTION

## (Twin : Drawers Bed)

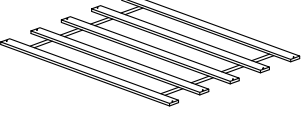
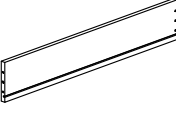
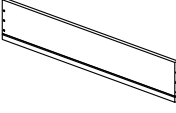
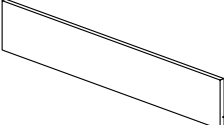
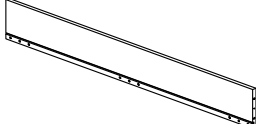
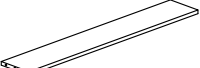
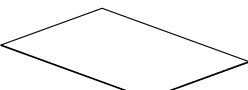
### PART LIST

|   |  |   |   |
|---|--|---|---|
| <p style="text-align: center;"><b>A</b></p>  <p style="text-align: center;">Back Middle Panel<br/>1 PCS</p>  | <p style="text-align: center;"><b>B</b></p>  <p style="text-align: center;">Middle Panel Up<br/>1 PCS</p>             | <p style="text-align: center;"><b>C</b></p>  <p style="text-align: center;">Middle Panel Down<br/>1 PCS</p>           | <p style="text-align: center;"><b>D</b></p>  <p style="text-align: center;">Front Panel<br/>1 PCS</p>        |
| <p style="text-align: center;"><b>E</b></p>  <p style="text-align: center;">Side Panel Back L<br/>1 PCS</p>  | <p style="text-align: center;"><b>F</b></p>  <p style="text-align: center;">Side Panel Back R<br/>1 PCS</p>           | <p style="text-align: center;"><b>G</b></p>  <p style="text-align: center;">Side Panel Front L<br/>1 PCS</p>          | <p style="text-align: center;"><b>H</b></p>  <p style="text-align: center;">Side Panel Front R<br/>1 PCS</p> |
| <p style="text-align: center;"><b>I</b></p>  <p style="text-align: center;">Box Middle Panel<br/>6 PCS</p> | <p style="text-align: center;"><b>J</b></p>  <p style="text-align: center;">Box Back Panel L<br/>1 PCS</p>          | <p style="text-align: center;"><b>K</b></p>  <p style="text-align: center;">Box Back Panel R<br/>1 PCS</p>          | <p style="text-align: center;"><b>L</b></p>  <p style="text-align: center;">Footboard<br/>1 PCS</p>        |
| <p style="text-align: center;"><b>M</b></p>  <p style="text-align: center;">Footboard Leg<br/>1 PCS</p>    | <p style="text-align: center;"><b>N</b></p>  <p style="text-align: center;">Bed Side Front R / Rear L<br/>2 PCS</p> | <p style="text-align: center;"><b>O</b></p>  <p style="text-align: center;">Bed Side Front L / Rear R<br/>2 PCS</p> | <p style="text-align: center;"><b>P</b></p>  <p style="text-align: center;">Bed Side Leg<br/>2 PCS</p>     |








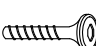

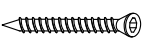

# ASSEMBLY INSTRUCTION

## (Twin : Drawers Bed)

### PART LIST

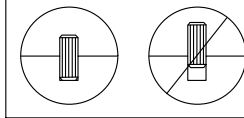
|   |  |  |   |
|---|--|--|---|
| <p><b>Q</b></p>  <p>Bed Slats<br/>2 PCS</p>     | <p><b>1a</b></p>  <p>Drawer Side L<br/>2 PCS</p>  | <p><b>1b</b></p>  <p>Drawer Side R<br/>2 PCS</p> | <p><b>2a</b></p>  <p>Drawer Head<br/>2 PCS</p> |
| <p><b>2b</b></p>  <p>Drawer Back<br/>2 PCS</p> | <p><b>3a</b></p>  <p>Drawer Support<br/>6 PCS</p> | <p><b>3b</b></p>  <p>Drawer Panel<br/>2 PCS</p>  |   |

### HARDWARE LIST

|  |   |  |   |
|--|---|--|---|
| <p><b>1</b></p>  <p>M6x30MM Wood Dowel<br/>48 PCS</p> | <p><b>2</b></p>  <p>Camlock 12MM<br/>56 PCS</p>    | <p><b>3</b></p>  <p>Camlock Bolt 12MM<br/>56 PCS</p> | <p><b>4</b></p>  <p>M4 Allen Key<br/>1 PCS</p>       |
| <p><b>5</b></p>  <p>M5 Allen Key<br/>1 PCS</p>        | <p><b>6</b></p>  <p>M3.5x12MM Screw<br/>32 PCS</p> | <p><b>7</b></p>  <p>M4x38MM Screw<br/>30 PCS</p>     | <p><b>8</b></p>  <p>M6x25MM JCBC Screw<br/>8 PCS</p> |
| <p><b>9</b></p>  <p>M8x16MM JCBB Screw<br/>8 PCS</p>  | <p><b>10</b></p>  <p>Csk M6x50MM<br/>20 PCS</p>    | <p><b>11</b></p>  <p>Casters<br/>8 PCS</p>           |   |

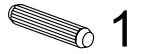
# ASSEMBLY INSTRUCTION

## Step 1

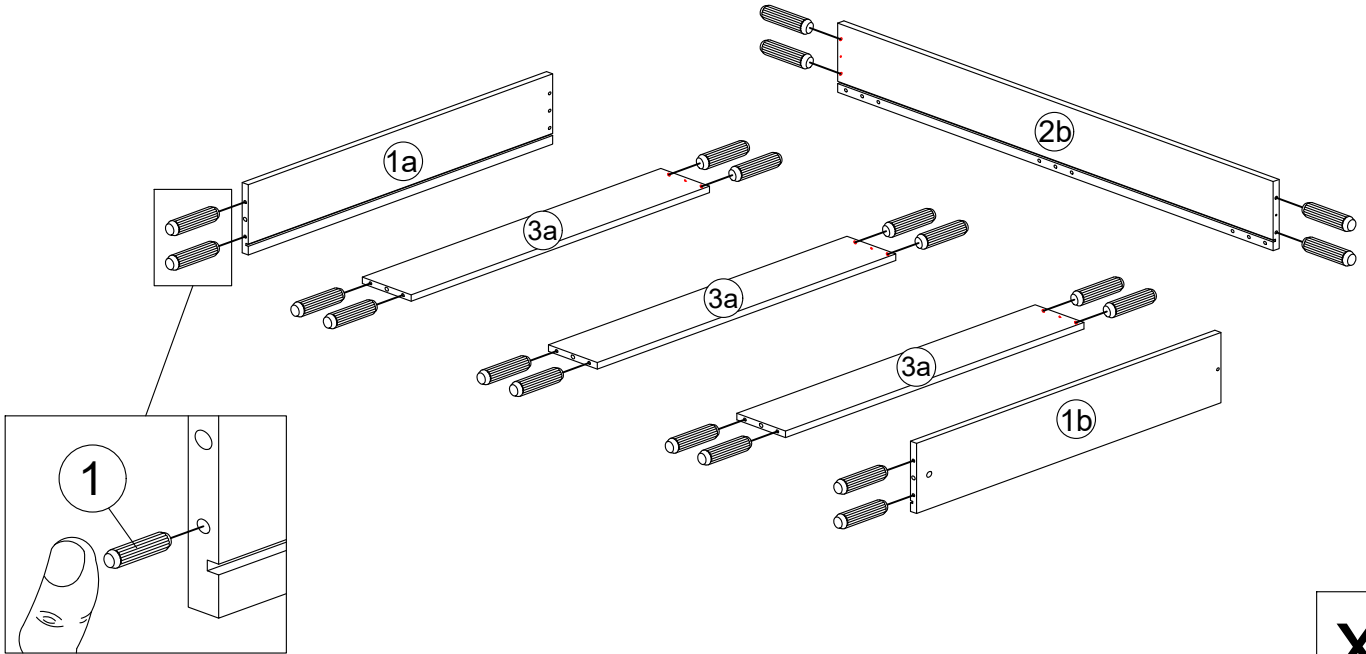


Required/Requis/Requerido

x40



1



x2

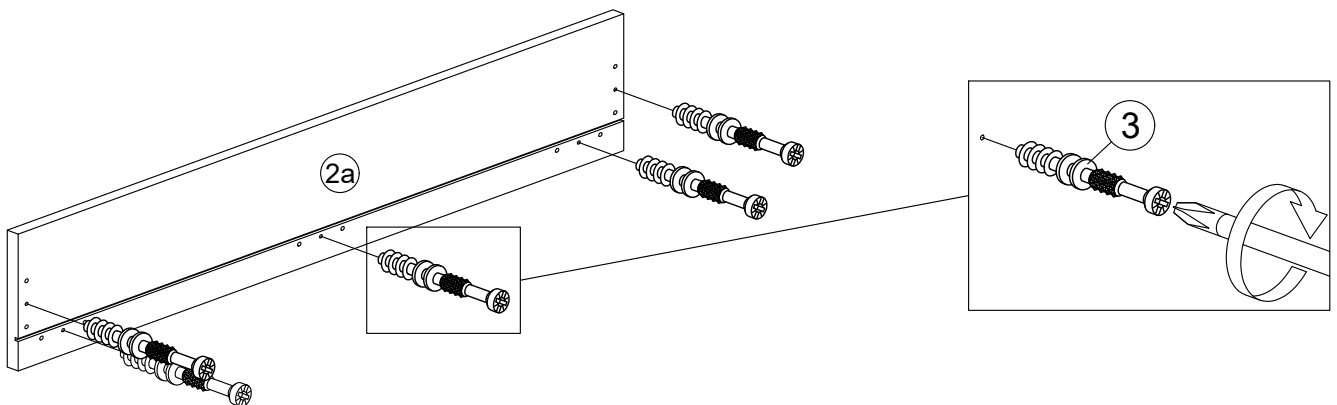
## Step 2

Required/Requis/Requerido

x10



3



x2

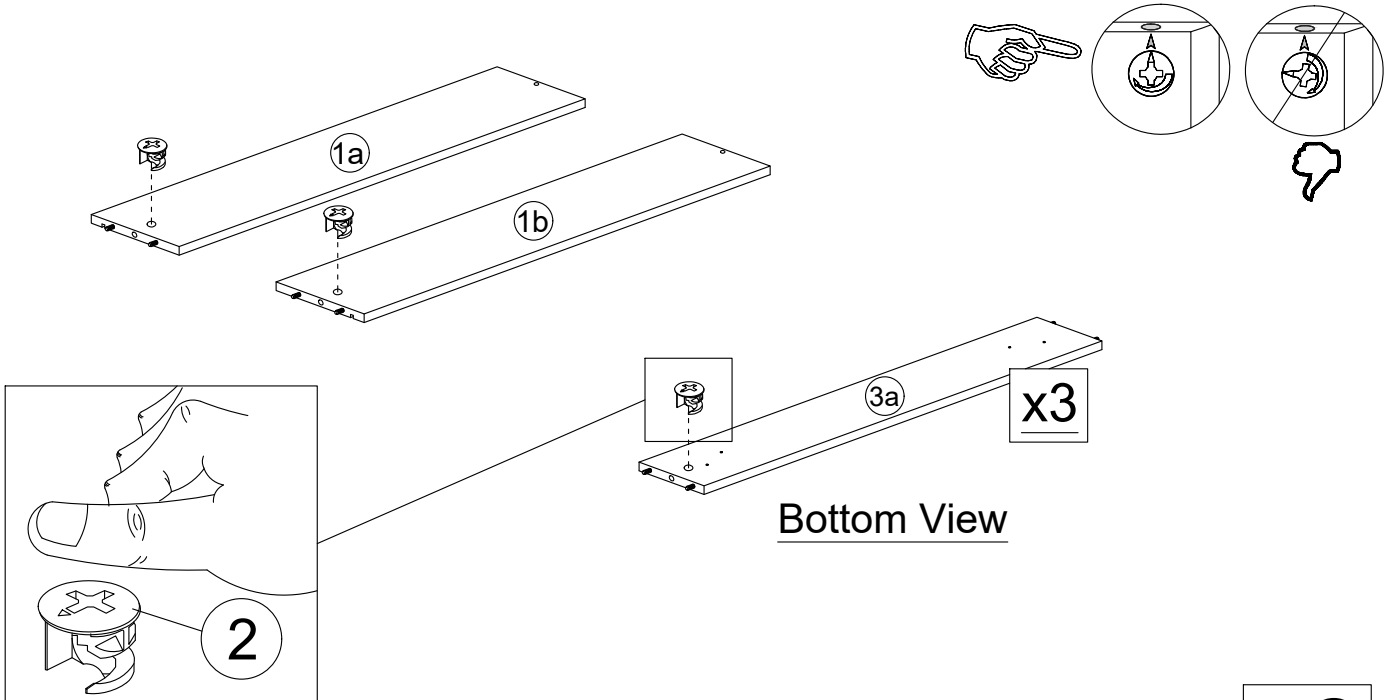
# ASSEMBLY INSTRUCTION

## Step 3

Required/Requis/Requerido

x10

 2

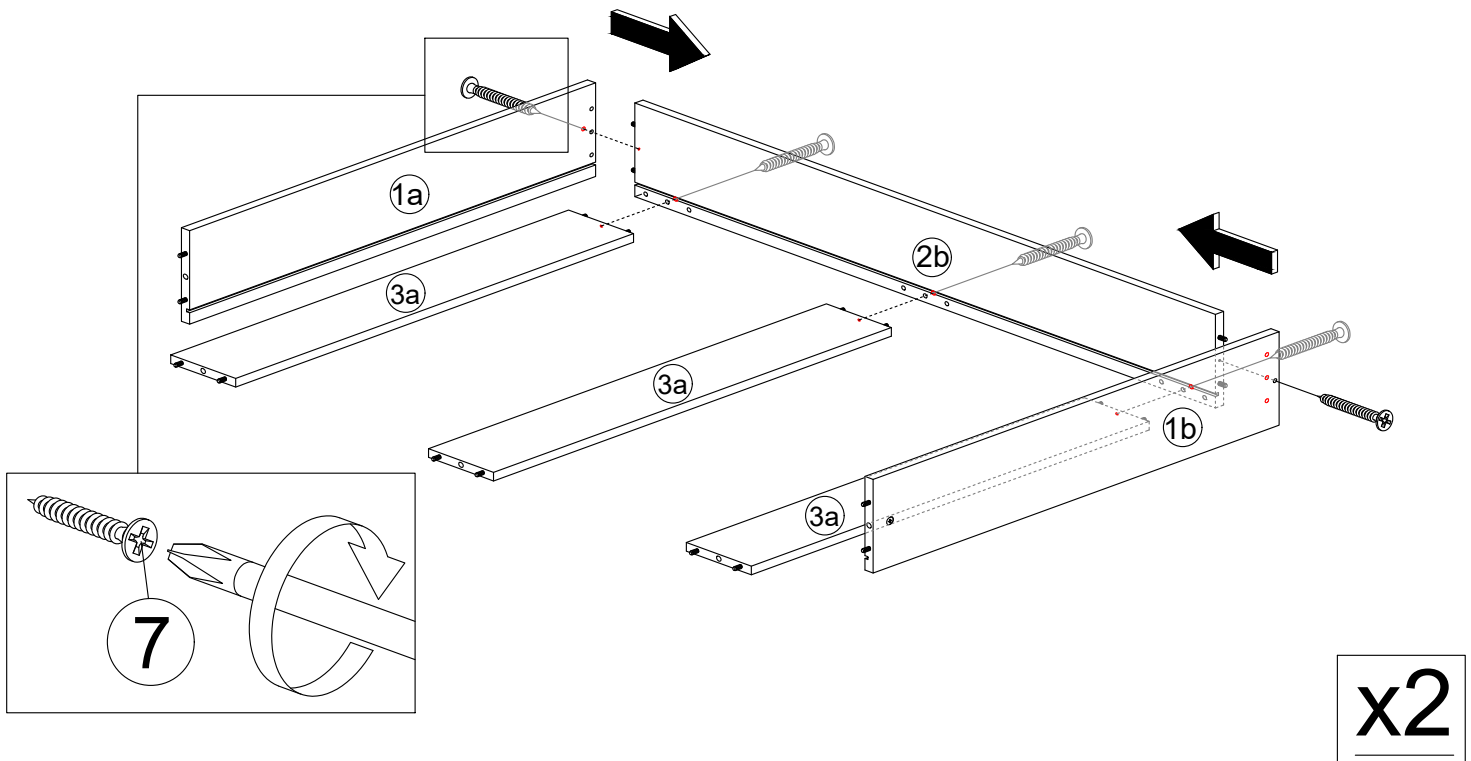


## Step 4

Required/Requis/Requerido

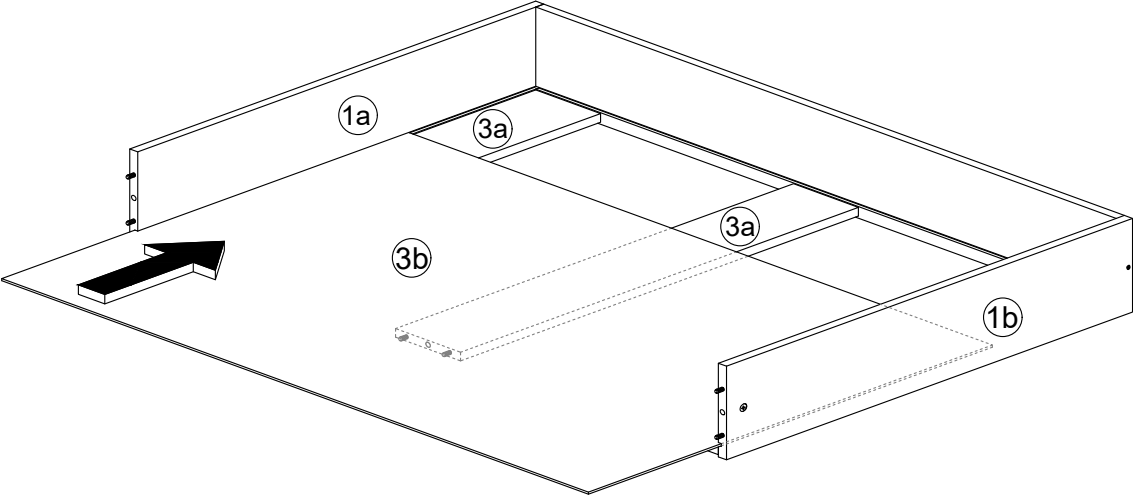
x10

 7



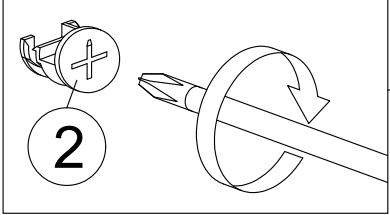
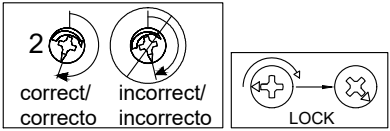
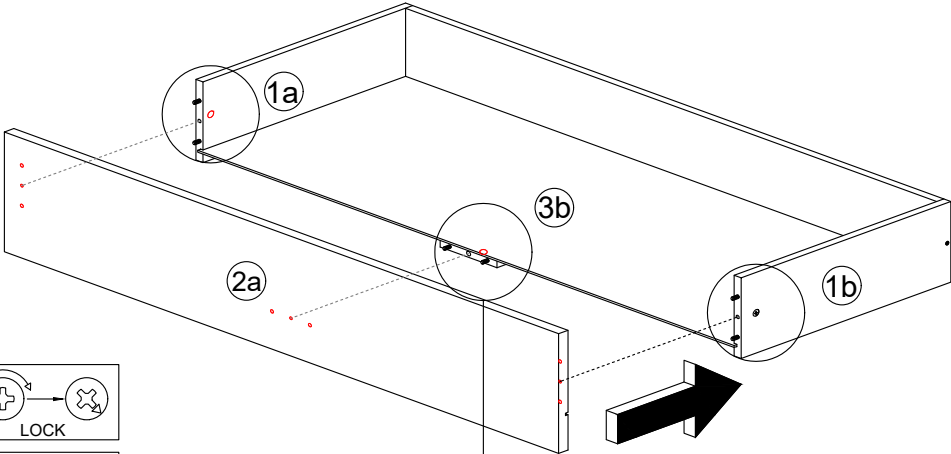
# ASSEMBLY INSTRUCTION

## Step 5



x2

## Step 6



x2

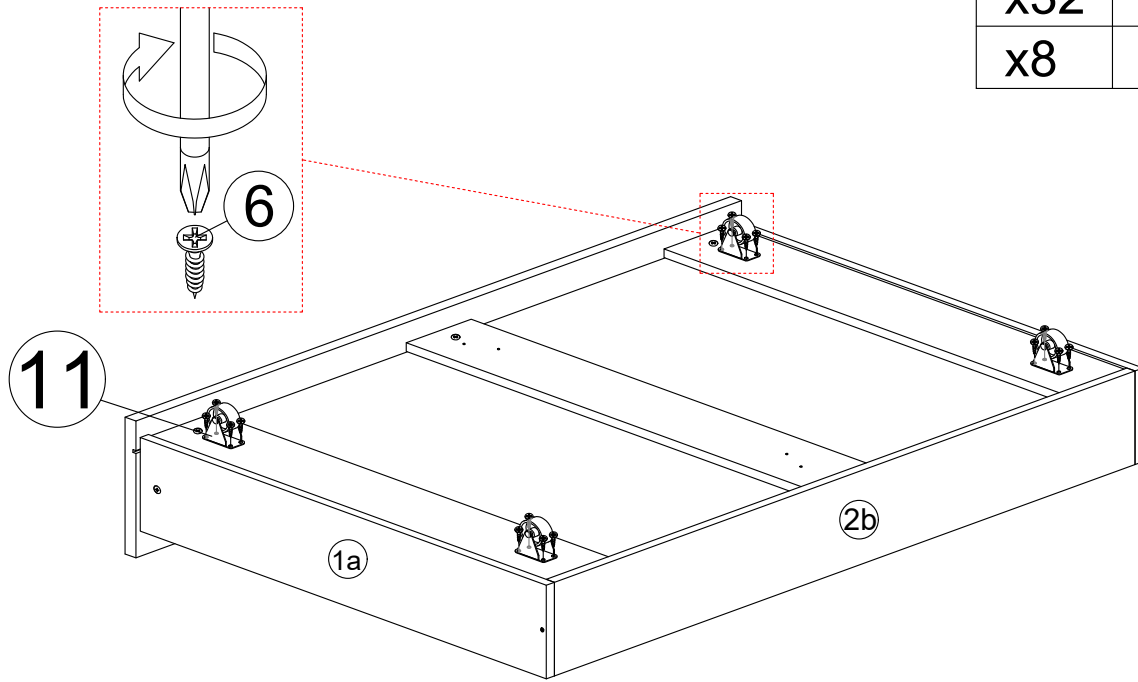
# ASSEMBLY INSTRUCTION

## Step 7

Required/Requis/Requerido

x32  6

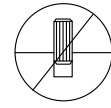
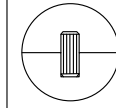
x8  11



Bottom View

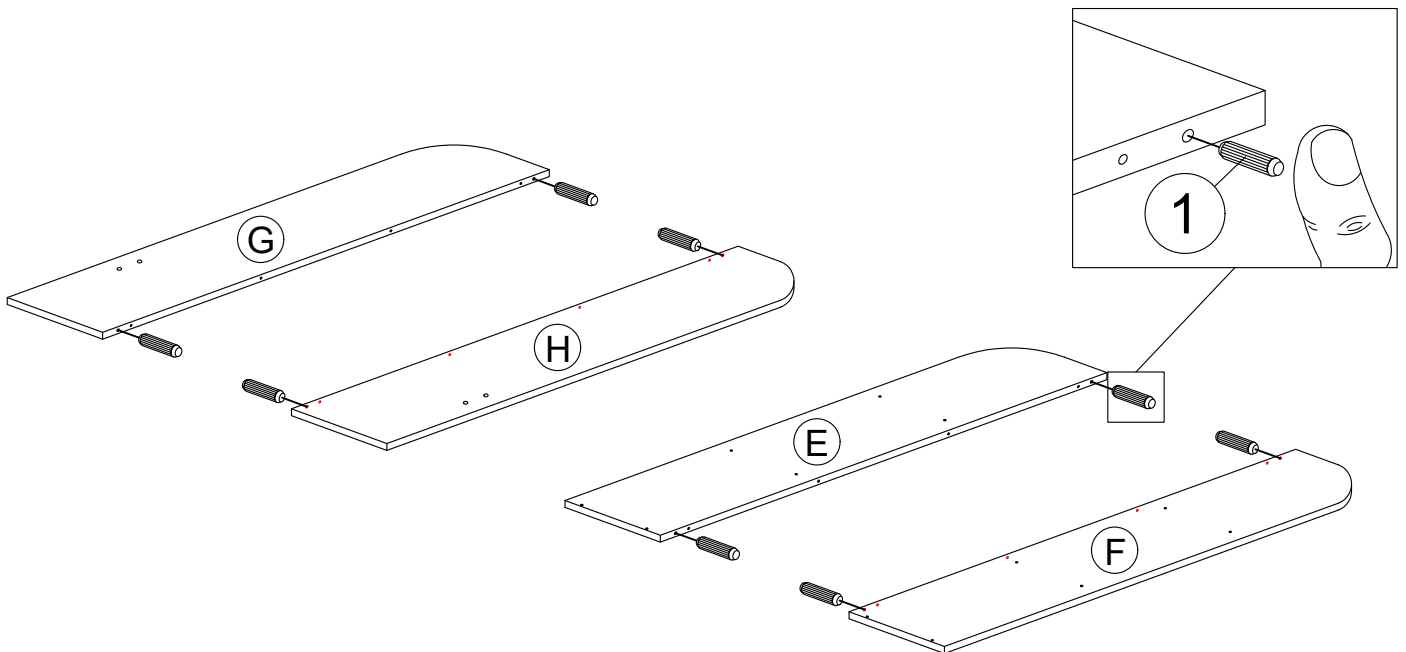
x2

## Step 8



Required/Requis/Requerido

x8  1

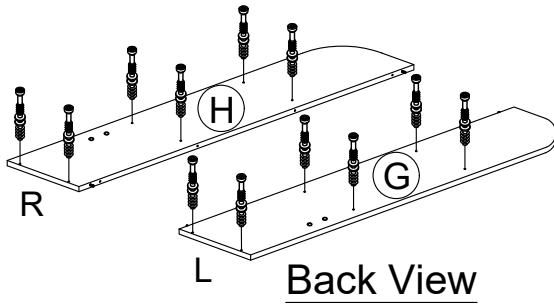
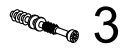


# ASSEMBLY INSTRUCTION

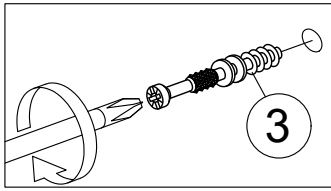
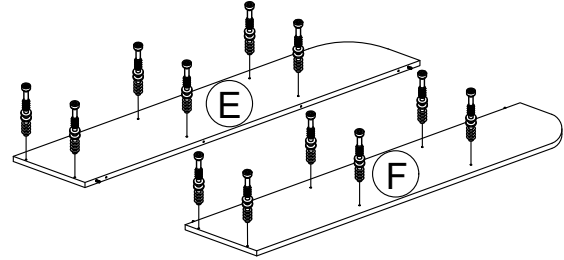
## Step 9

Required/Requis/Requerido

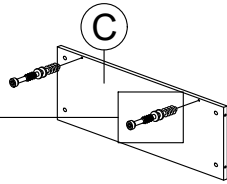
x42



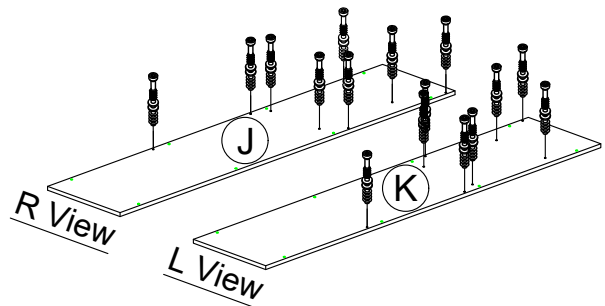
Back View



3



Middle Panel Up



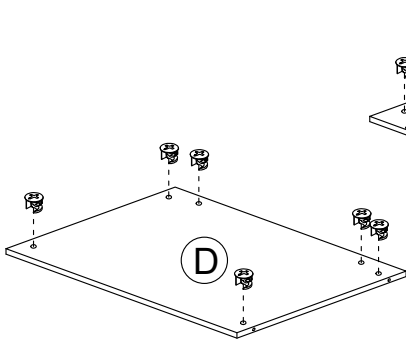
R View

L View

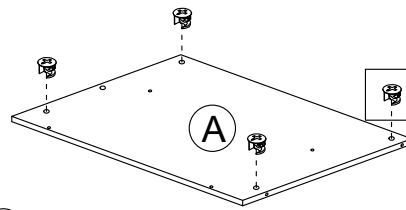
## Step 10

Required/Requis/Requerido

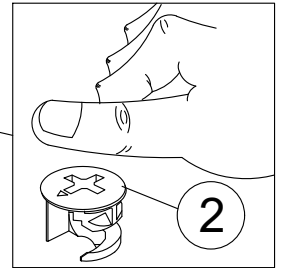
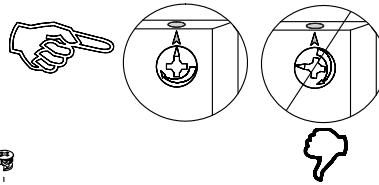
x42



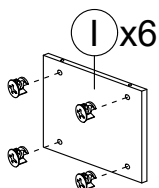
Back View



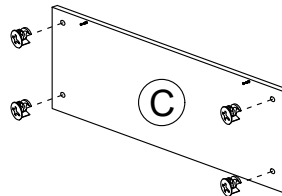
Back View



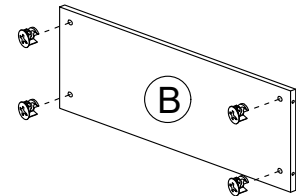
2



I x6



Bottom View



Bottom View

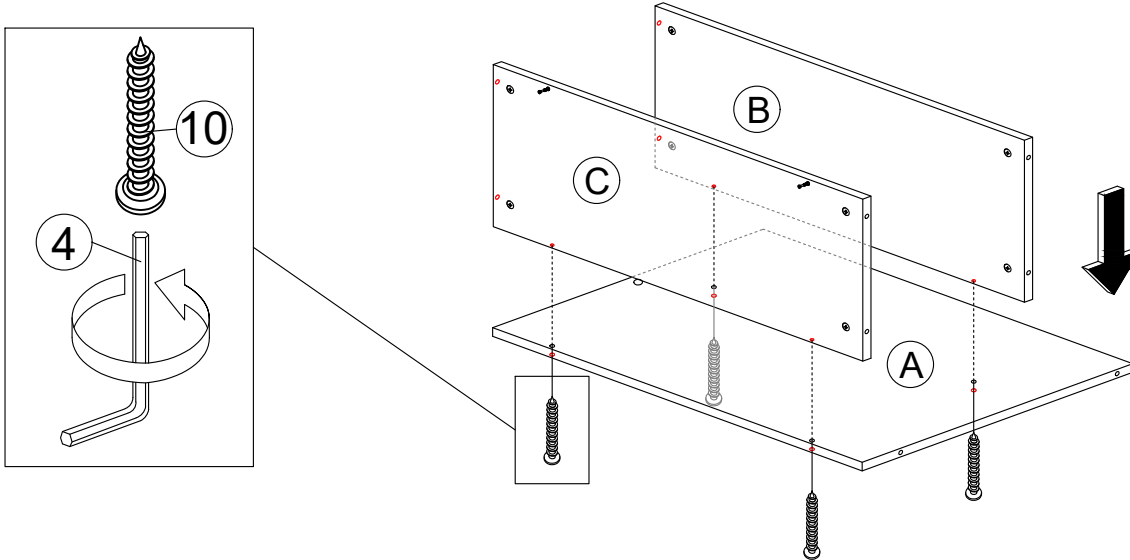
# ASSEMBLY INSTRUCTION

## Step 11

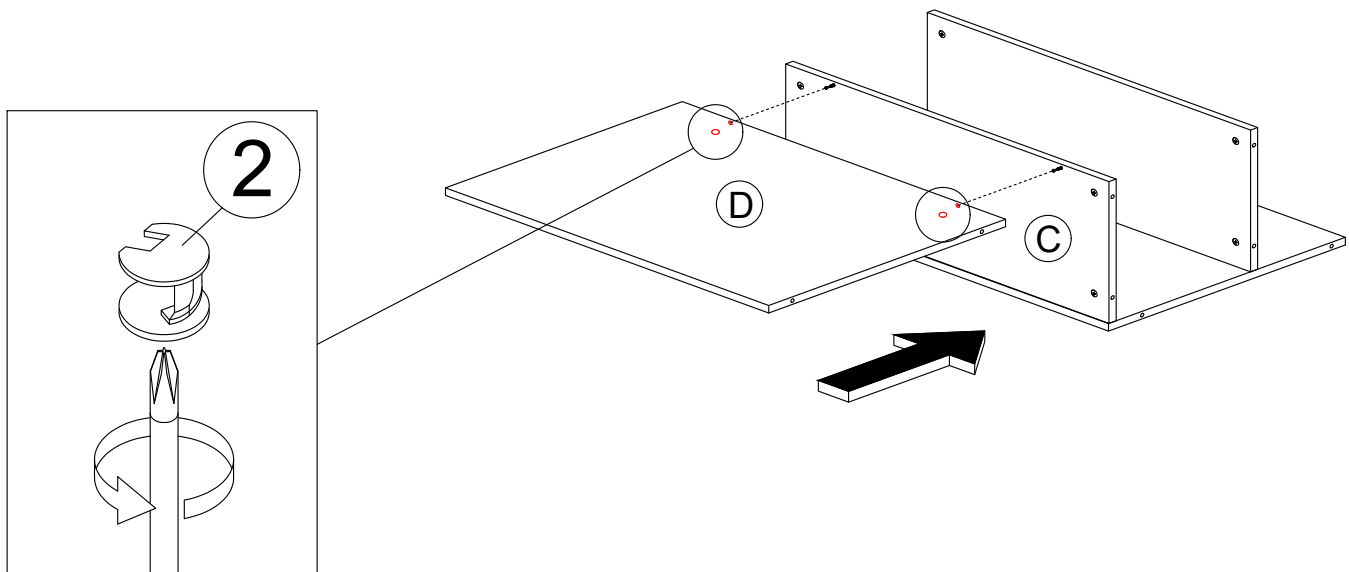
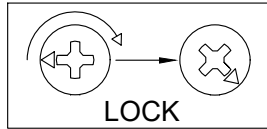
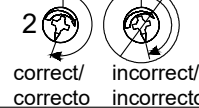
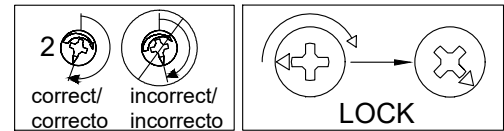
Required/Requis/Requerido

x1  4

x4  10

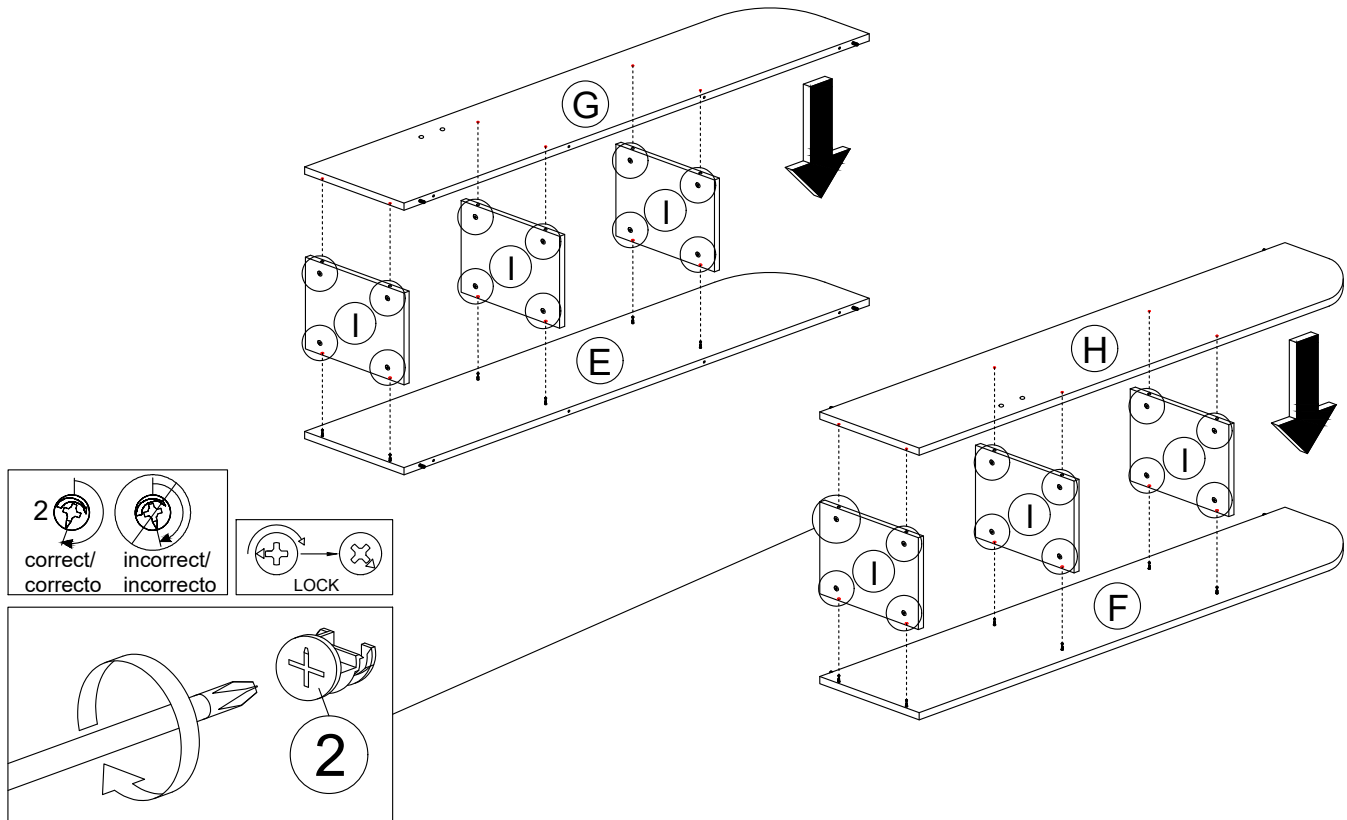


## Step 12



# ASSEMBLY INSTRUCTION

## Step 13

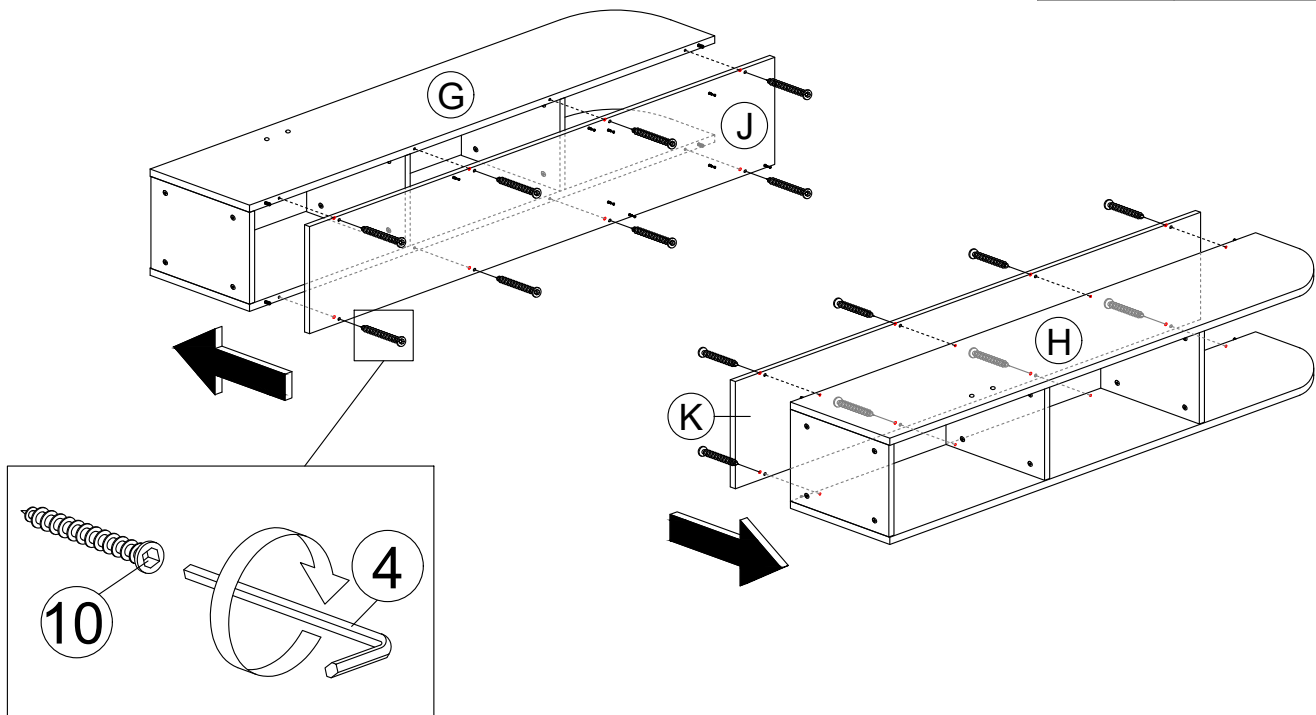


## Step 14

Required/Requis/Requerido

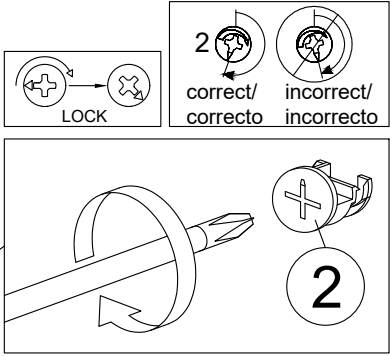
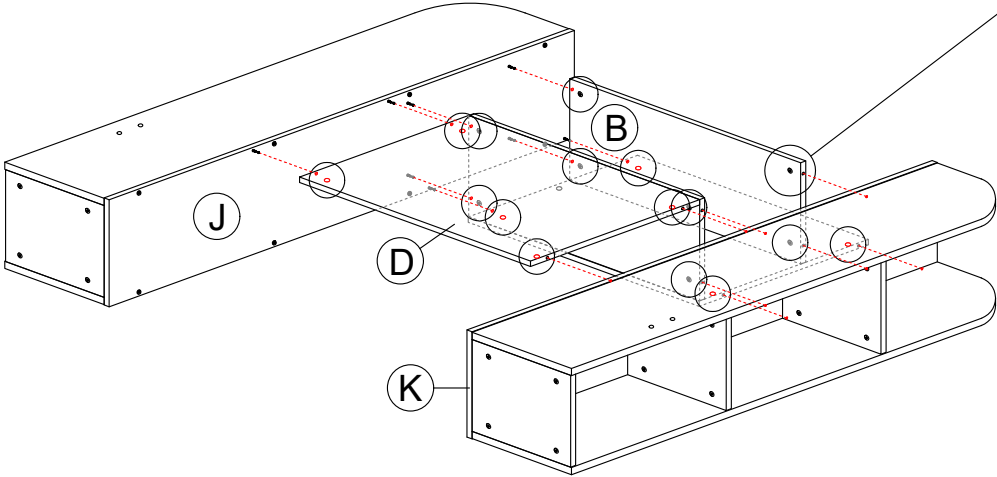
x1  4

x16  10



# ASSEMBLY INSTRUCTION

## Step 15



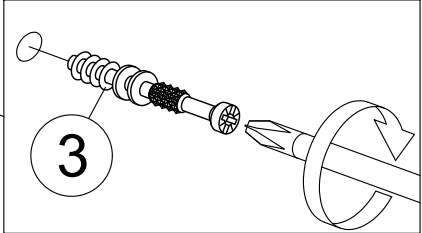
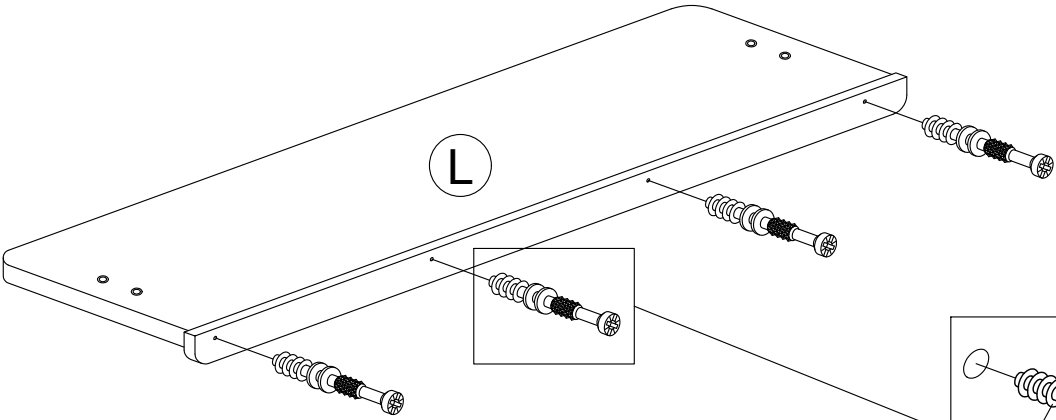
## Step 16

Required/Requis/Requerido

x4



3

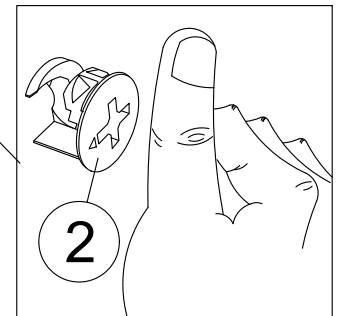
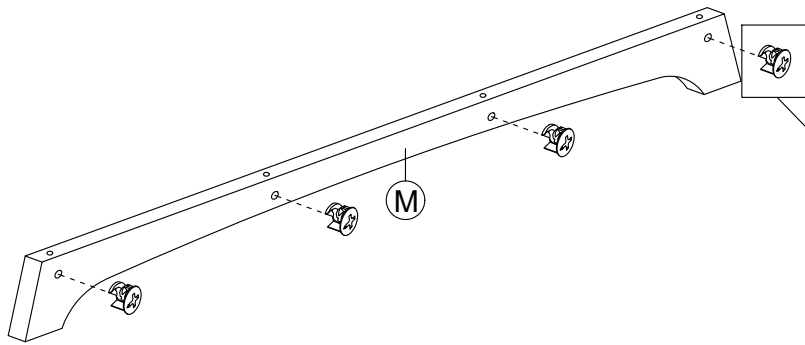
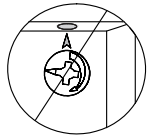
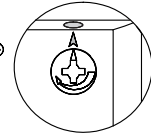


# ASSEMBLY INSTRUCTION

## Step 17

Required/Requis/Requerido

x4



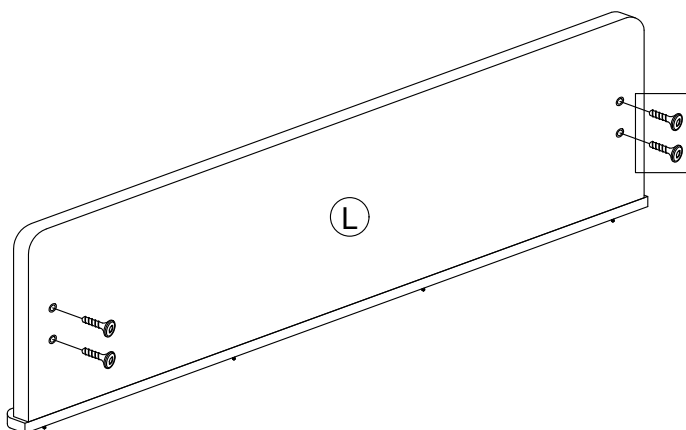
## Step 18

Required/Requis/Requerido

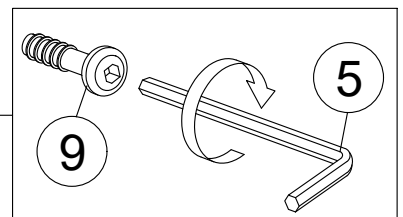
x1



x4



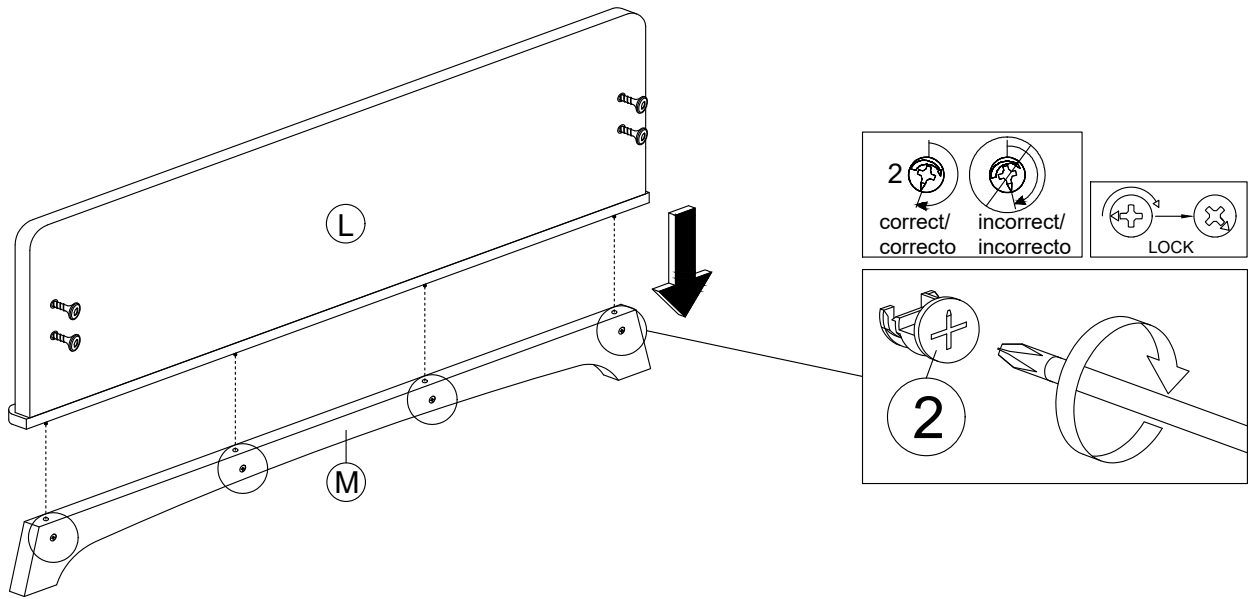
Don't Tighten until end,  
please left 2-5mm  
distance for next step  
assembly part



Rear View

# ASSEMBLY INSTRUCTION

## Step 19




Rear View

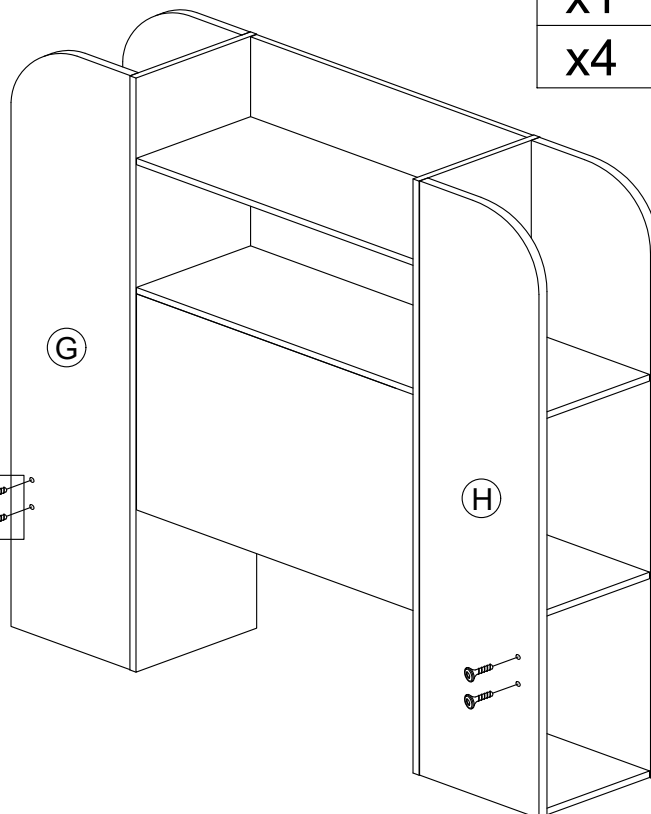
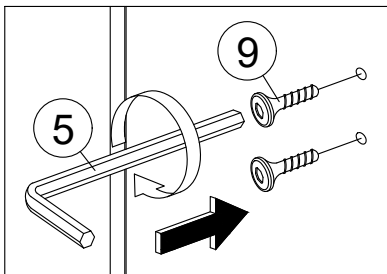
## Step 20

Required/Requis/Requerido

x1  5

x4  9



Don't Tighten until end,  
please left 2-5mm  
distance for next step  
assembly part

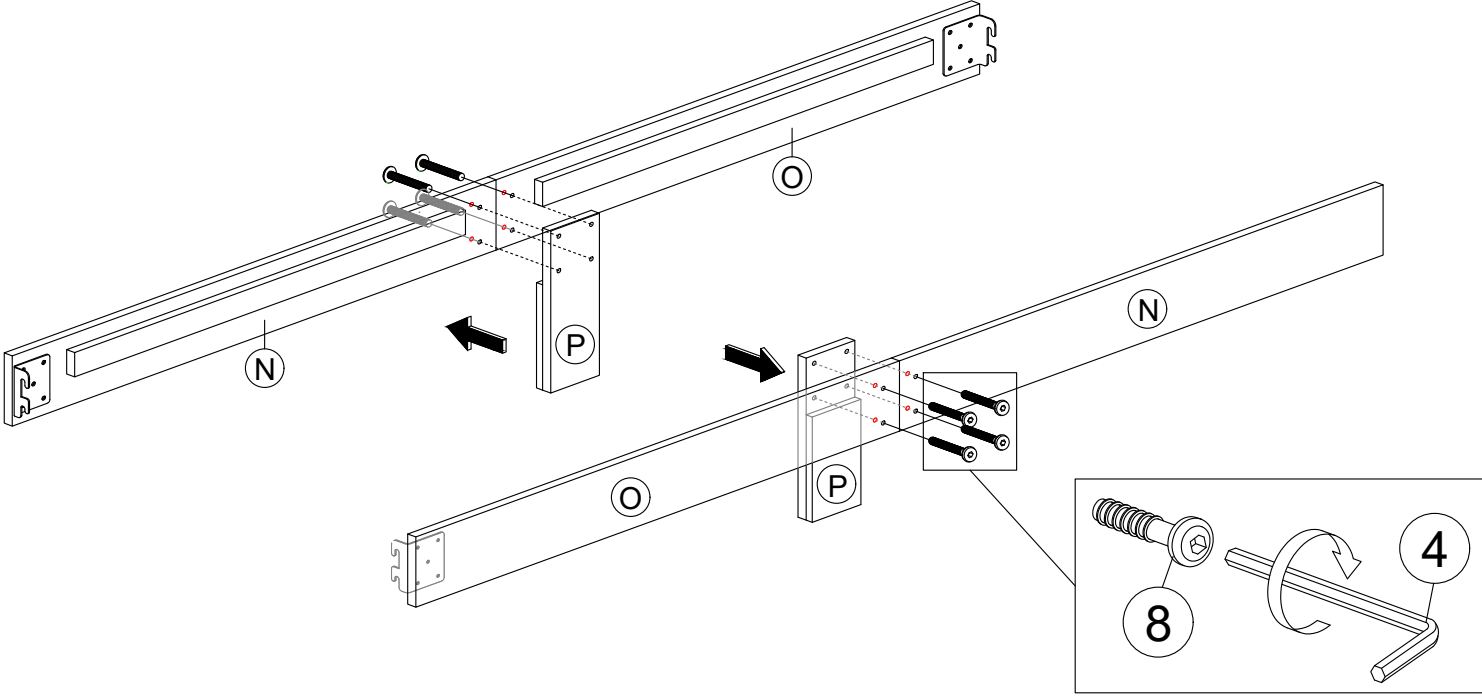


# ASSEMBLY INSTRUCTION

## Step 21

Required/Requis/Requerido

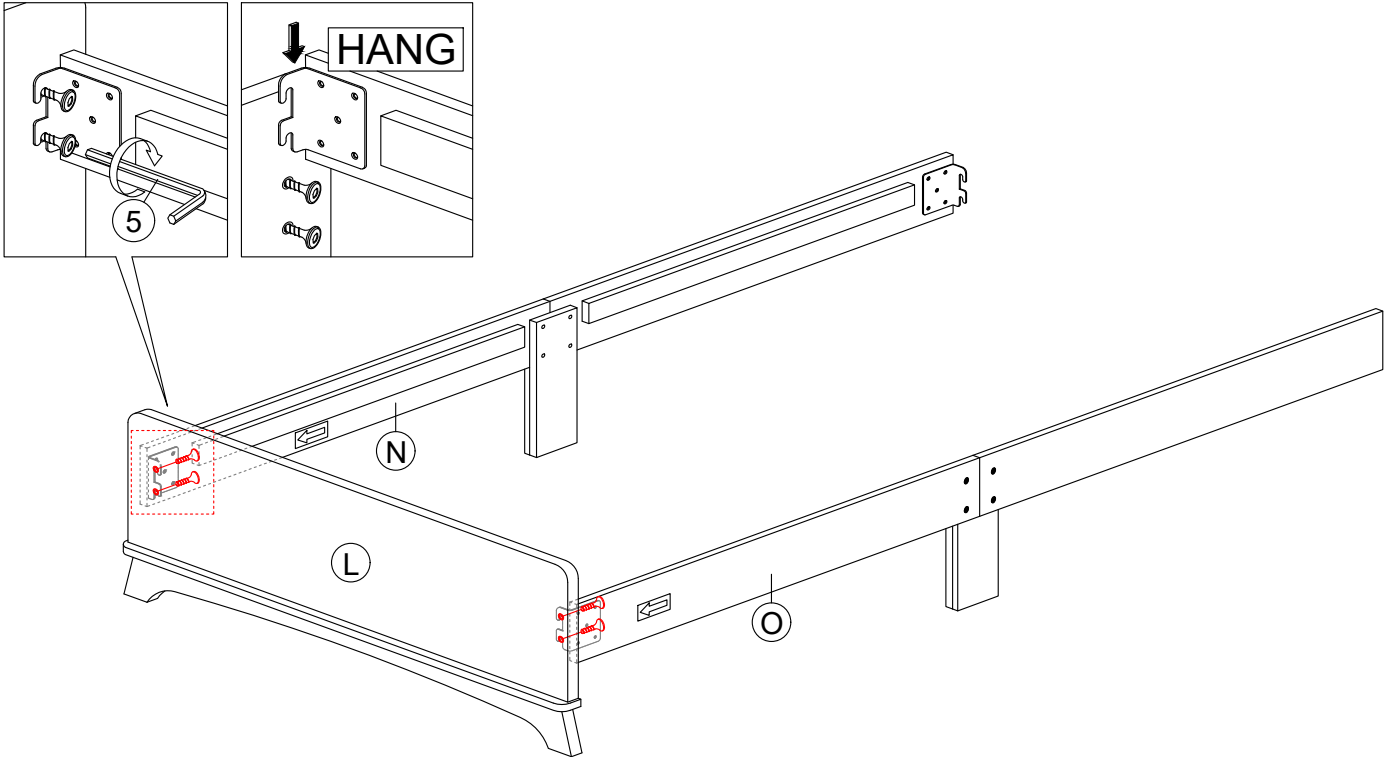
|    |   |   |
|----|---|---|
| x1 |  | 4 |
| x8 |  | 8 |



## Step 22

Required/Requis/Requerido

|    |   |   |
|----|---|---|
| x1 |  | 5 |
|----|---|---|

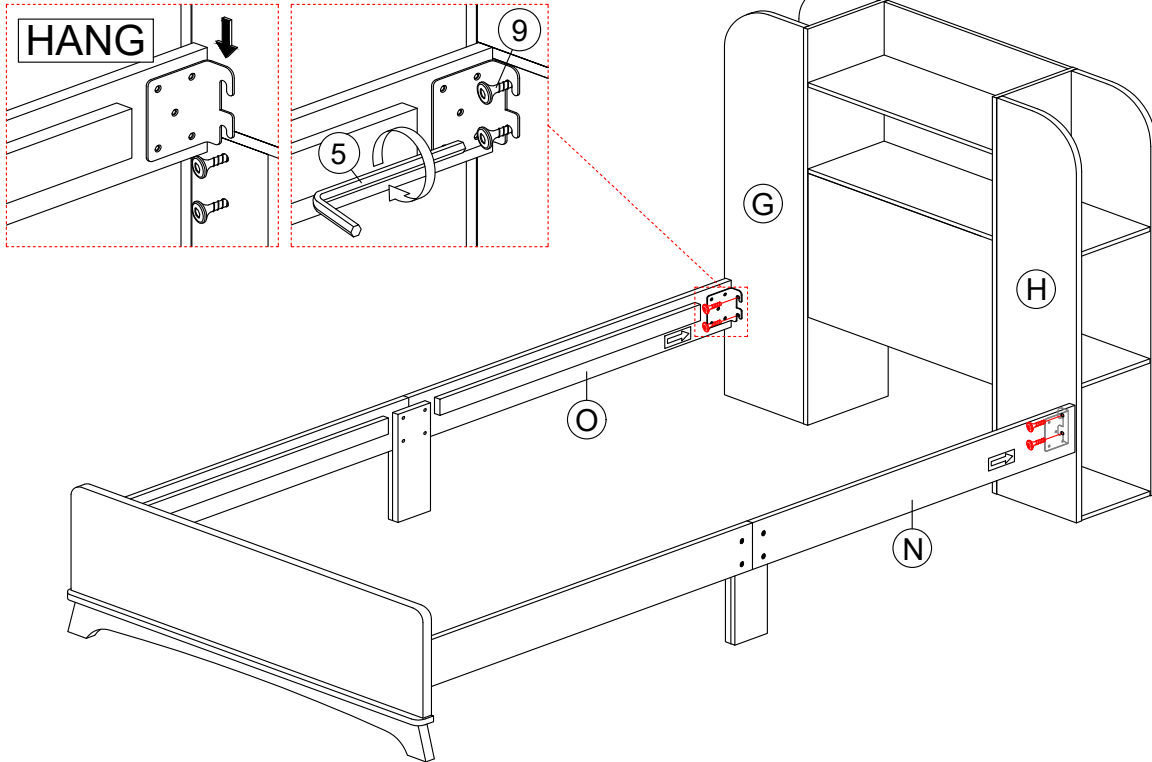


# ASSEMBLY INSTRUCTION

## Step 23

Required/Requis/Requerido

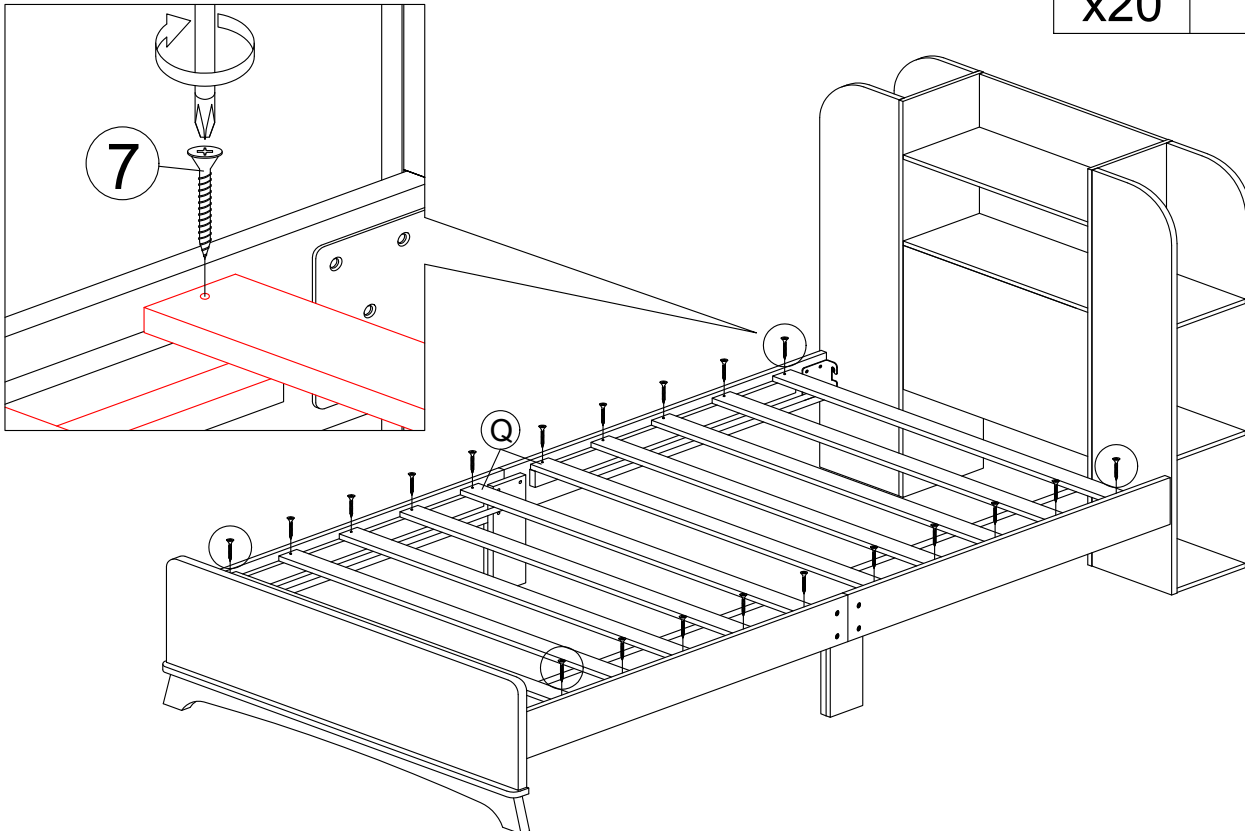
x1



## Step 24

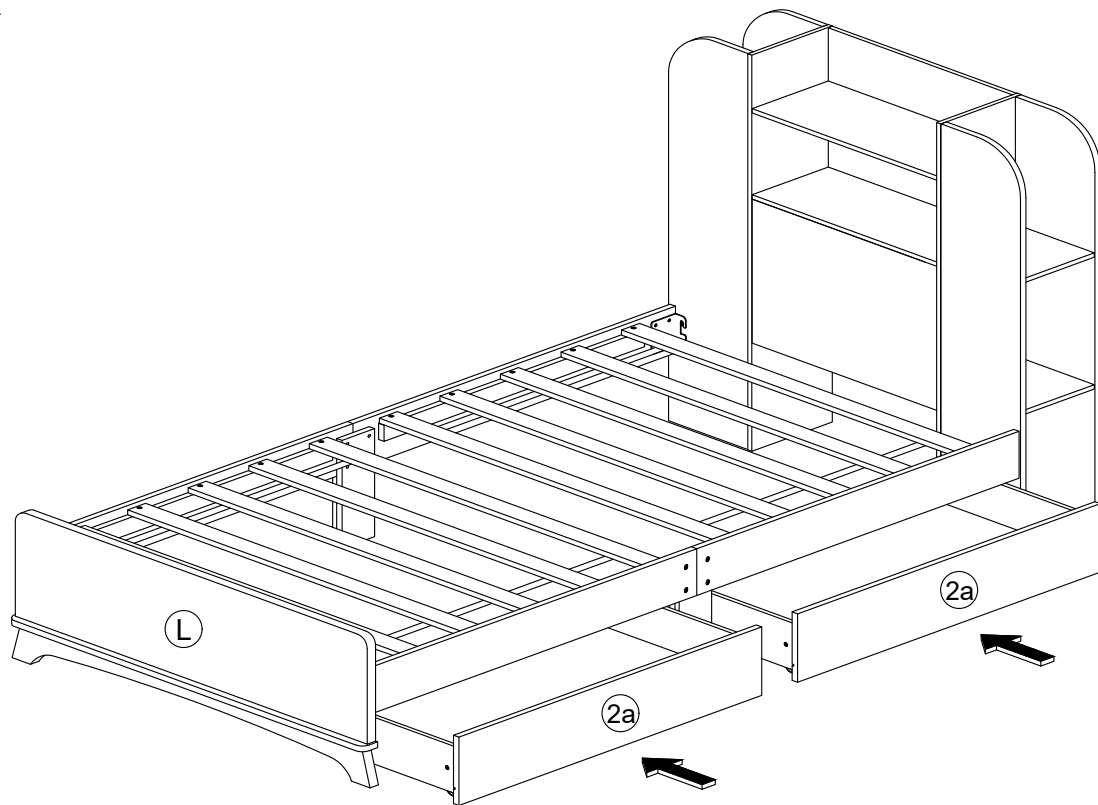
Required/Requis/Requerido

x20



# ASSEMBLY INSTRUCTION

## Step 25



## Complete

