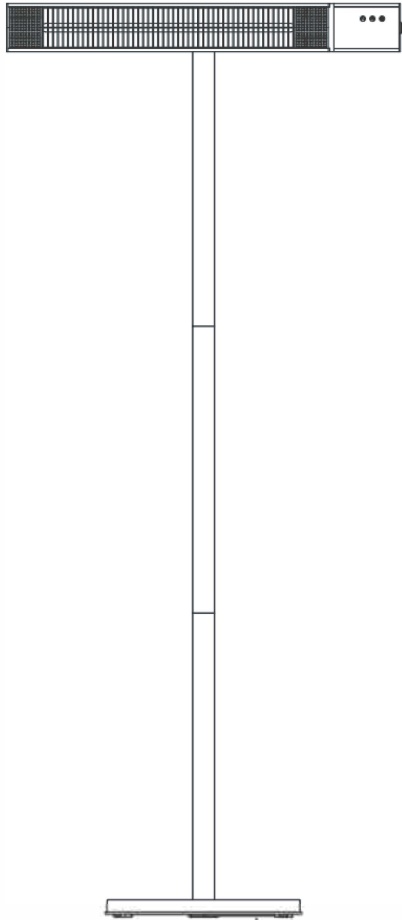


# INFRARED PATIO HEATER

ITEM # 64910

*(Requires CR2450 battery, not included)*

**ASSEMBLY/ CARE & USE INSTRUCTIONS  
IMPORTANT, RETAIN FOR FUTURE  
REFERENCE: READ CAREFULLY**



**⚠ WARNING  
FOR YOUR SAFETY**

1. Improper installation, adjustment, alteration, service or maintenance can cause injury or property damage.
2. Read the installation, operation, and maintenance instructions thoroughly before installing or servicing this equipment.
3. Failure to follow these instructions could result in fire or explosion, which could cause property damage, personal injury, or death.

**⚠ CAUTION - Risk of Electric Shock**

Unplug power cord from electrical outlet before replacing bulb or performing any other service.

**⚠ WARNING**

This product can expose you to chemicals including Carbon Lead, Chromium (hexavalent compounds), Di(2-ethylhexyl) phthalate (DEHP), and Diisononyl phthalate (DINP), which are known to the State of California to cause cancer and birth defects or other reproductive harm. For more information, go to [www.P65Warnings.ca.gov](http://www.P65Warnings.ca.gov).

**PLEASE READ THESE  
INSTRUCTIONS CAREFULLY  
BEFORE USING YOUR NEW HEATER**



**ATTACH YOUR RECEIPT HERE**

Keep a copy of your proof of purchase or order confirmation which will be needed if you need to contact us about warranty coverage.

Purchase Date: \_\_\_\_\_



**UNIT MUST BE ON A  
DEDICATED ELECTRICAL  
CIRCUIT.**



## Questions or problems?

Our US-based customer service team is available.

Email: [cservice@welltraveled.net](mailto:cservice@welltraveled.net)

The inbox is monitored during business hours, 9 a.m. - 6 p.m., EST.

## TABLE OF CONTENTS

<b>Table of Contents, Before You Begin</b>	<b>Page 2</b>
<b>Safety Information</b>	<b>Page 3</b>
<b>Assembly</b>	<b>Page 5</b>
<b>Operation</b>	<b>Page 8</b>
<b>Maintenance, Storage &amp; Troubleshooting</b>	<b>Page 10</b>
<b>Warranty</b>	<b>Page 11</b>



### BEFORE YOU BEGIN

Please read and understand this entire manual before attempting to assemble, operate or install this appliance. If you have any questions regarding the product, please contact our US-based Customer Service:

Call toll-free  
(866) 985-7877  
9 am - 9 pm

Email  
[cservice@welltraveled.net](mailto:cservice@welltraveled.net)

This manual contains important information about the assembly, operation and maintenance of this appliance. General safety information is presented in the first few pages and is also located throughout this manual. Keep this manual for future reference and to educate new users.



## SAFETY

- Children of less than 3 years old should be kept away unless continually supervised.
- Children aged from 3 years to less than 8 years old shall only switch the appliance on/off provided that it has been placed or installed in its intended normal operating position and they have been given supervision or instruction concerning the use of the appliance in a safe way and understand the hazards involved. Children aged from 3 years to less than 8 years old shall not plug in, regulate or clean the appliance or perform user maintenance.
- CAUTION: Some parts of this product can become very hot and cause burns. Particular attention must be given where children and vulnerable people are present.
- Children shall not play with appliance. Cleaning and user maintenance shall not be done by children.
- If the power supply cord is damaged, it must be replaced by the manufacturer, its service agent, or similarly qualified professionals in order to avoid a hazard.
- Do not use the heater with a programmer, timer or any other device that switches the heater on automatically.
- DO NOT position immediately above or below an electrical socket.
- WARNING: This heater is not equipped with a device to control the room temperature. Do not use this heater in small rooms when they are occupied by persons not capable of leaving the room on their own, unless constant supervision is provided

### WARNING

#### To Reduce the Risk of Fire

1. Do not place any objects such as furniture, papers, clothes and curtains within 3 ft. / .91 m of the head of the heater and keep them away from the sides and rear when the heater is plugged in.
2. Do not place the heater near a bed because objects such as pillows or blankets can be ignited by the heater.
3. Always unplug the heater if it is not being used.
4. Avoid using an extension cord because the extension cord may overheat and cause a risk of fire. However, if you must use an extension cord, the cord should be N014 AWG minimum size and rated not less than 1875 watts.

### CAUTION – Risk of Fire

Keep combustible materials such as furniture, papers, clothes and curtains at least 3 ft. / .91 m from the front, sides and rear of the heating unit.

### CAUTION – Risk of Electric Shock

Unplug power cord from electrical outlet before replacing bulb or performing any other service.

Model Number	64910
Description	Infrared Patio Heater
Voltage	120V ~ 60Hz
Power Consumption	1500W
Insulation	Class 1



## LISTING APPROVALS

This heater has been tested in accordance with the CSA Standards.



## IMPORTANT SAFETY INSTRUCTIONS

When using electrical appliances, to reduce the risk of fire, electric shock and injury to persons, always follow basic precautions, including the following:

1. Read all instructions before use.
2. This heater is hot when in use. To avoid burns, do not let bare skin touch hot surfaces. Grasp only non-heating surfaces when moving this heater.
3. Keep combustible materials such as furniture, pillows, bedding, papers, clothes, and 3 ft/1 m or further away from the front, sides, and back of heater.
4. Extreme caution is necessary when any heater is used by or near children or invalids. Whenever the heater is in operation it must not be left unattended.
5. Always unplug the heater when not in use.
6. Do not operate any heater with damaged cord or plug or after the heater has malfunctioned or has been dropped or damaged in any manner. Return heater to an authorized service facility for repair.
7. This heater is not intended for use in bathrooms, laundry areas and similar areas where water may be present. Never locate heater where it may fall into a bathtub, spa, pool, or other water container or body of water.
8. Do not run cord under carpeting. Do not cover cord with throw rugs, runners or the like. Arrange cord away from traffic areas and where it will not be tripped over.
9. To disconnect heater, turn switch to off, then remove plug from outlet.
10. Connect to properly grounded outlet only.
11. Do not insert or allow foreign objects to enter any ventilation or exhaust opening as this may cause an electric shock or fire or damage the heater.
12. To prevent a possible fire, do not block air passages or exhaust ventilation in any manner.
13. Do not use on soft surfaces, like a bed, where openings may become blocked.
14. A heater has hot and arcing or sparking parts inside. Do not use it in areas where gasoline, paint or flammable liquids are used or stored.
15. Use this heater only as described in manual. Any other use not recommended by the manufacturer may cause fire, electric shock, or injury to persons.
16. Avoid using an extension cord because the extension cord may overheat and there is a risk of fire. However, if you must use an extension cord, use either a 12-gauge or 14-gauge wire which is rated not less than 1900 watts. The recommended length for a 14-gauge is up to 50 feet but if you must use a longer cord, use a 12-gauge NO LONGER THAN 100 feet.
17. Always use properly grounded outlets; the appliance may break fused and polarized outlets.
18. Always disconnect power before performing any cleaning or maintenance or relocating the heater.
19. When transporting or storing the heater, keep in a dry place, free from excessive vibration and store to avoid damage.
20. While every effort is made to ensure packing materials are kept outside of the plastic bag which

covers your heater in the box, there is some chance that material may lodge itself in the heater part of the unit. If you notice this on inspection, please remove it.

21. When turning on your heater for the first time, it is normal for the heater to emit a mild "new heater" smell which quickly passes.

22. This heater is to be used on a 110 / 120 V, 11.2 AMP, grounded circuit. Do not use in an outlet controlled by a switch or dimmer switch. The cord supplied with the heater has a 2 blade plug with a round pin on the plug for grounding purposes. If a 3-slot receptacle/outlet is not available, you must use an adapter which must be properly grounded to the outlet box. Avoid plugging other appliances into the same circuit as the heater. This unit comes equipped with a Safety Tilt Switch mechanism. Power will shut off automatically should the unit be accidentally knocked over or tilted past 15 degrees. To reset, unplug the unit from the wall outlet, reposition on a flat, level surface, and plug in again.

### DANGER

- RISK OF FIRE – THERE IS ALWAYS A RISK OF FIRE WHEN WORKING WITH A HEATER. KEEP IT AWAY FROM FLAMMABLE LIQUIDS AND ANY MATERIAL THAT COULD EASILY CATCH FIRE
- RISK OF FIRE – IF THE HEATER FALLS OVER, IT COULD START A FIRE
- RISK OF ELECTRIC SHOCK – DISCONNECT ALL ELECTRICAL POWER BEFORE WORKING ON THE UNIT. THERE IS A CHANCE OF ELECTRIC SHOCK IF YOU WORK ON THIS UNIT WHILE IT IS PLUGGED IN TO POWER. THIS UNIT USES ELECTRICITY TO OPERATE. DO NOT USE THIS HEATER AROUND WATER OR IF THE CORD IS DAMAGED.
- DO NOT OPEN THE UNIT – NO USER-SERVICEABLE PARTS INSIDE
- BURN HAZARD – HIGH TEMPERATURES
- KEEP ELECTRICAL CORDS, DRAPERY, AND OTHER FURNISHINGS AT LEAST 3 FT/ 1 M AWAY FROM THE FRONT/SIDES/BACK OF THE HEATING HEAD UNIT

### WARNING

- RISK OF FIRE – KEEP COMBUSTIBLE MATERIAL AWAY FROM TOP OF HEATER
- SERVICING SHOULD BE DONE ONLY WHILE THE HEATER IS UNPLUGGED FROM POWER SUPPLY

This appliance MUST be grounded. When using outdoors, use a certified GFI (Ground Fault Interrupt) outlet to protect against electrical shock. All installations must be in accordance with IEE safety regulations or the equivalent. THIS UNIT MUST BE ON A DEDICATED ELECTRICAL CIRCUIT.



## PREPARATION

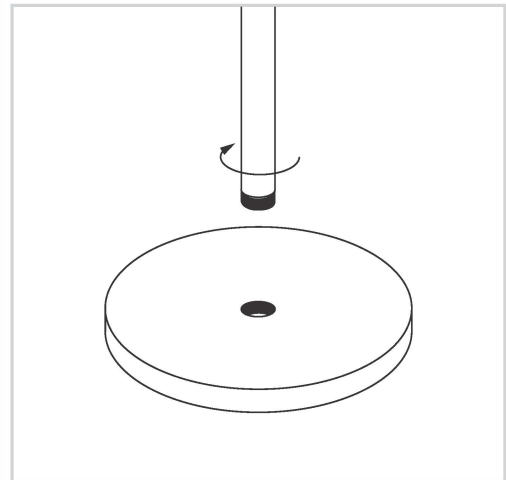
It is crucial to ensure that the electricity supply can sufficiently handle the electrical load required by the appliance being installed.

Installation minimum required distances: 2 feet from the side wall, and 2 feet from the ceiling. Heaters must be placed at a safe distance of at least 7 feet from combustible materials and glass walls. If installed in workshops or garages where flammable or combustible paints are used, the heater must be installed at a distance of at least 12 feet from the source of danger.

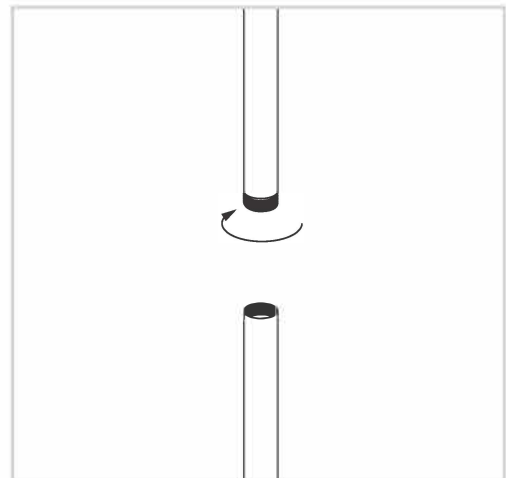


## ASSEMBLY

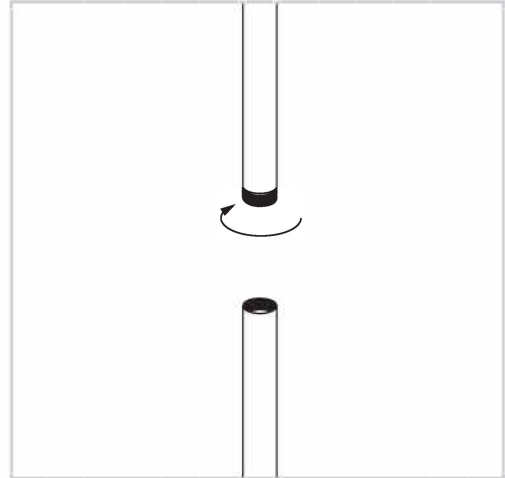
- 1 Secure the **Bottom Tube** onto the **Base** by screwing them together.



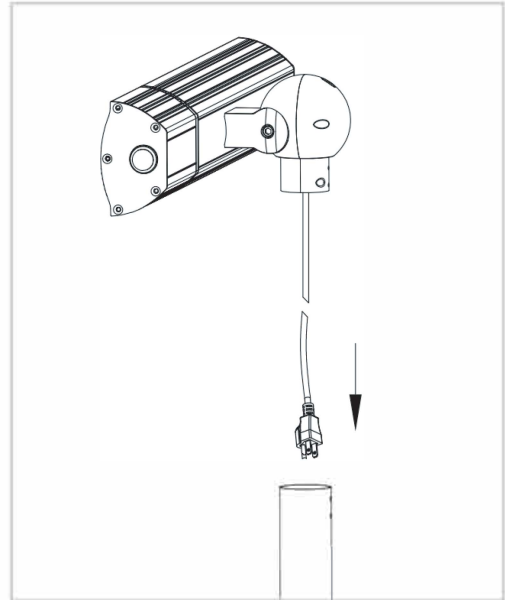
- 2 Connect the **Middle Tube** with the **Bottom Tube** by screwing them together.



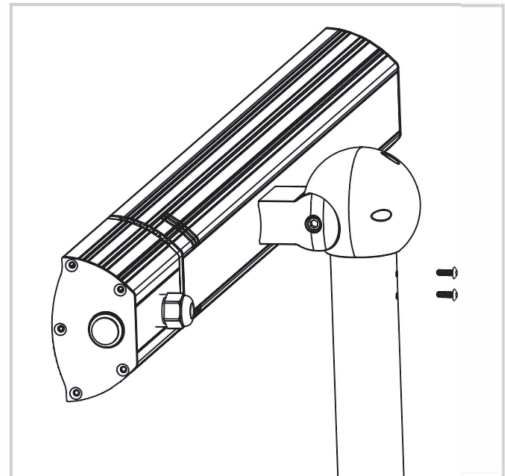
- 3** Connect the **Top Tube** with the **Middle Tube** by screwing them together.



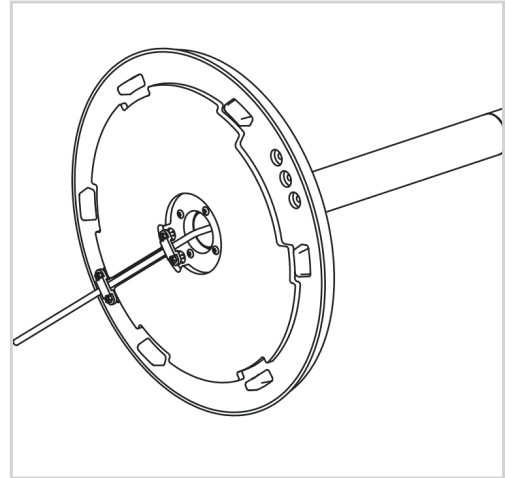
- 4** Feed the **Power Cord Plug** through the **Top Tube**, **Middle Tube**, **Bottom Tube**, and **Base**.



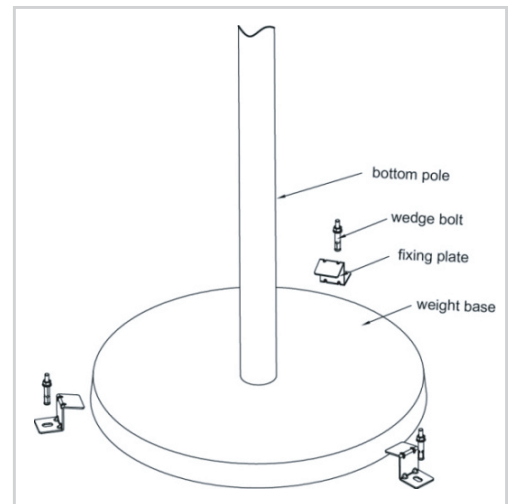
- 5** Attach the **Heater Head** onto the top tube and fix in position using the 4\*8mm screws.



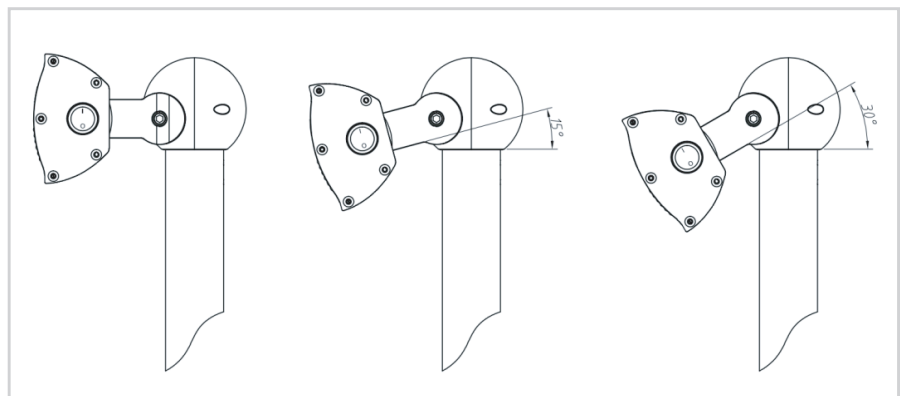
- 6** Fix the **Power Cord** on the **Base** by using the 4\*M4 screws



- 7** Fix the heater on the floor. Bore three holes in the floor, and secure the heater using three **Wedge Bolts**. Tighten the screws with a spanner.



- 8** Loosen the two M6\*10 screws using the L-shaped hexagonal wrench to adjust the angle of the heating head to the desired position, then tighten them back.







## OPERATION


The switch on the heater is used to control the heater. When the switch is in the **ON** position, the first indicator light will turn red, indicating that the heater is in standby mode. Setting the switch to the **OFF** position will turn off the heater.



## PANEL CONTROL


When the product is in standby state, touching the  allows you to cycle through the heating settings from setting 1 to setting 3.


When the heater is working, Touch the  and the heater will turn off after 24 hours.


When the heater is working, touching the  puts the product into standby mode.



## REMOTE CONTROL

When the product is in standby state, touching the  allows you to cycle through the heating settings from setting 1 to setting 3.

When the heater is working, Touch the  and the heater will turn off after 24 hours.

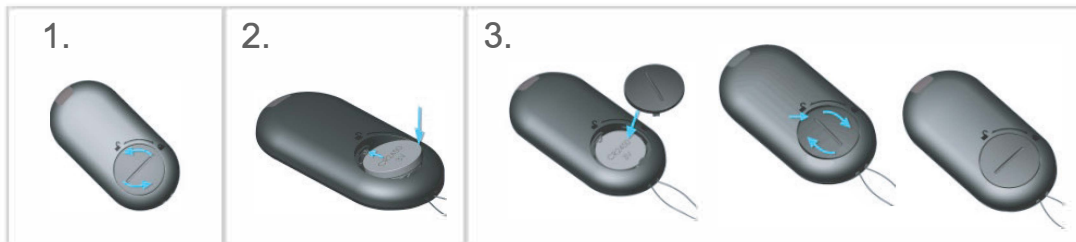
When the heater is working, touching the  puts the product into standby mode.



1 Open the battery cover with both thumbs, rotating in the direction indicated by the arrow at the same time.

2 Place a 3 V CR2450 (Lithium) battery with + (positive pole) facing upwards into the battery compartment.

3 Close the compartment firmly.



4 Non-rechargeable batteries are not to be recharged.

5 Batteries are to be inserted with the correct polarity.

6 Exhausted batteries are to be removed from the appliance and disposed of safely.

7 If the appliance is to be stored unused for a long period, removed the batteries from the appliance.

8 The supply terminals are not to be short circuited.



## MAINTENANCE

Unplug the unit and let it cool completely.

To keep this unit clean, the outer shell may be cleaned with a soft, damp cloth. You may use a mild detergent if necessary. After cleaning, dry the unit with a soft cloth.

DO NOT use alcohol, gasoline, abrasive powders, furniture polish, or rough brushes to clean the heater. This may cause damage or deterioration to the surface of the heater.

Although this heater is outdoor approved, DO NOT immerse the heater in water for your safety.

Wait until the unit is completely dry before use.



## STORAGE

When not in use, store this unit in a cool, dry location. To prevent dust and dirt build-up, use the original packaging to repack this unit.



## TROUBLESHOOTING

If this unit does not operate properly, please check the following before repair or service:

- Check if the power cord is plugged into an electrical outlet, if not, plug in.
- Check if electricity to the main fuse is working.
- Make certain the power switches are turned on. If not, choose a setting.

## 1 YEAR LIMITED WARRANTY

### Customers in the Continental US

All components are warranted for a period of 1 year after date of purchase by the original owner against defects in materials and workmanship under normal use. This warranty does NOT cover normal wear and weathering, assembly and/or maintenance OR use in a commercial application if model is not designated as a commercial model. At Well Traveled Living's sole discretion, products under warranty will be repaired and/or replaced at no charge to the customer. Any returns sent back to Well Traveled Living must be sent via prepaid freight and in the original retail packaging.

For warranty service contact Well Traveled Living at the address, phone numbers or internet site and email listed in this owner's manual. Be sure to have your sales receipt, date of purchase and catalogue/model numbers available when calling. All warranty service will be coordinated by the Well Traveled Living's, Amelia Island, Florida service center.

This warranty is extended only to the original purchaser. Proof of purchase will be required before warranty service is rendered. The sales receipt is the only valid proof of purchase. This warranty only covers failures due to defects in materials or workmanship which occur during normal use. Failures and/or damage which result from accident, negligence, misuse, abuse, neglect, mishandling, alteration or modification, failure to maintain, improper assembly or maintenance, service by unauthorized agency or use of unauthorized components or damage that is attributable to acts of God are NOT covered.

This limited warranty gives you specific legal rights and you may also have other rights which vary from jurisdiction to jurisdiction. The provisions of the United Nations Convention on Contracts for the Sales of Goods shall not apply to this limited warranty or the sale of products covered by this limited warranty.

THERE ARE NO EXPRESS WARRANTIES EXCEPT AS LISTED ABOVE.

PURCHASER ASSUMES ALL RISKS IN THE ASSEMBLY AND OPERATION OF THIS UNIT.

FAILURE TO FOLLOW WARNINGS AND OPERATIONAL INSTRUCTIONS CONTAINED IN THIS MANUAL CAN RESULT IN SEVERE PROPERTY DAMAGE AND/OR PERSONAL INJURY.

IN NO EVENT WILL WELL TRAVELED LIVING, OR ITS DIRECTORS, OFFICERS OR AGENTS BE LIABLE TO THE PURCHASER OR ANY THIRD PARTY, WHETHER IN CONTRACT, IN TORT, OR ON ANY OTHER BASIS, FOR ANY INDIRECT, SPECIAL, PUNITIVE, EXEMPLARY, CONSEQUENTIAL, OR INCIDENTAL LOSS, COST, OR DAMAGE ARISING OUT OF OR IN CONNECTION WITH THE SALE, MAINTENANCE, USE, OR INABILITY TO USE THE PRODUCT, EVEN IF WELL TRAVELED LIVING OR ITS DIRECTORS, OFFICERS OR AGENTS HAVE BEEN ADVISED OF THE POSSIBILITY OF SUCH LOSSES, COSTS OR DAMAGES, OR IF SUCH LOSSES, COSTS, OR DAMAGES ARE FORESEEABLE. IN NO EVENT WILL WELL TRAVELED LIVING, OR ITS OFFICERS, DIRECTORS, OR AGENTS BE LIABLE FOR ANY DIRECT LOSSES, COSTS OR DAMAGES THAT EXCEED THE PURCHASE PRICE OF THE PRODUCT.

SOME JURISDICTIONS DO NOT ALLOW THE EXCLUSION OR LIMITATION OF INCIDENTAL OR CONSEQUENTIAL DAMAGES, SO THE ABOVE LIMITATION OR EXCLUSION MAY NOT APPLY TO THE PURCHASER.



### Questions or problems?

Our US-based customer service team is available.

Email: [cservice@welltraveled.net](mailto:cservice@welltraveled.net)

The inbox is monitored during business hours, 9 a.m. - 6 p.m., EST.