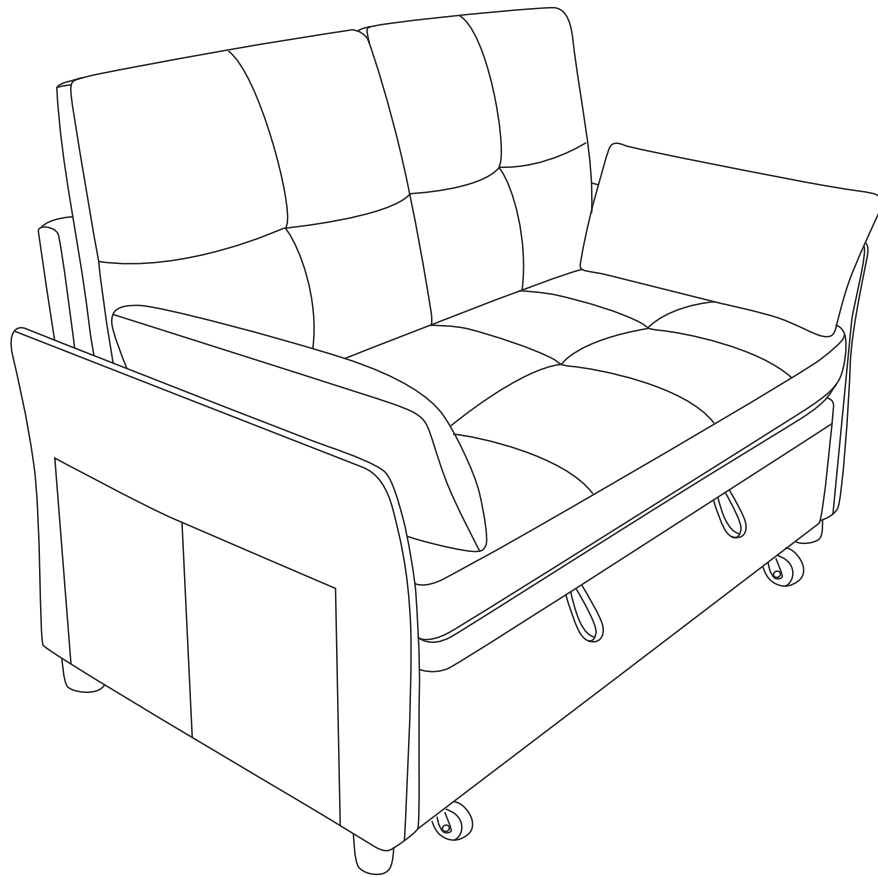
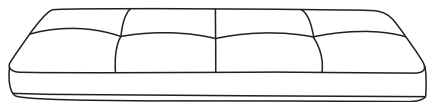
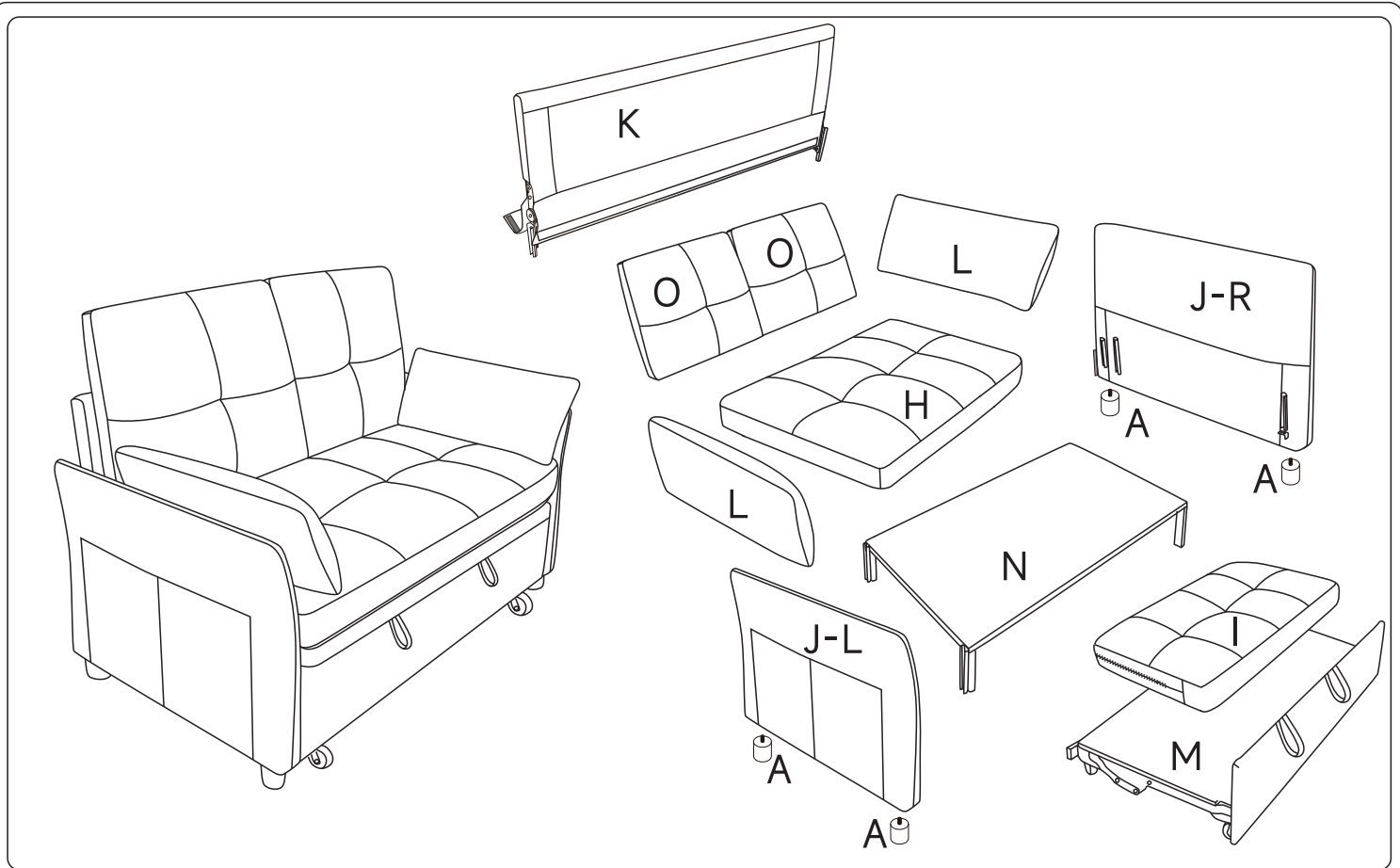


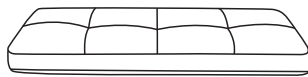
Installation & Assembly



Components List



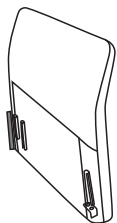
H X1



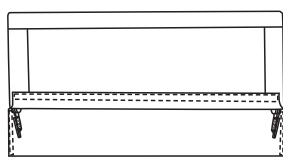
I X1



J-L X1



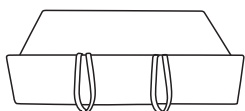
J-R X1



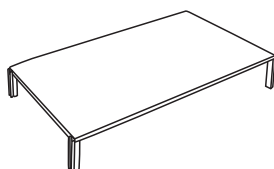
K X1



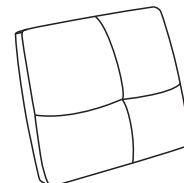
L X2



M X1








N X1








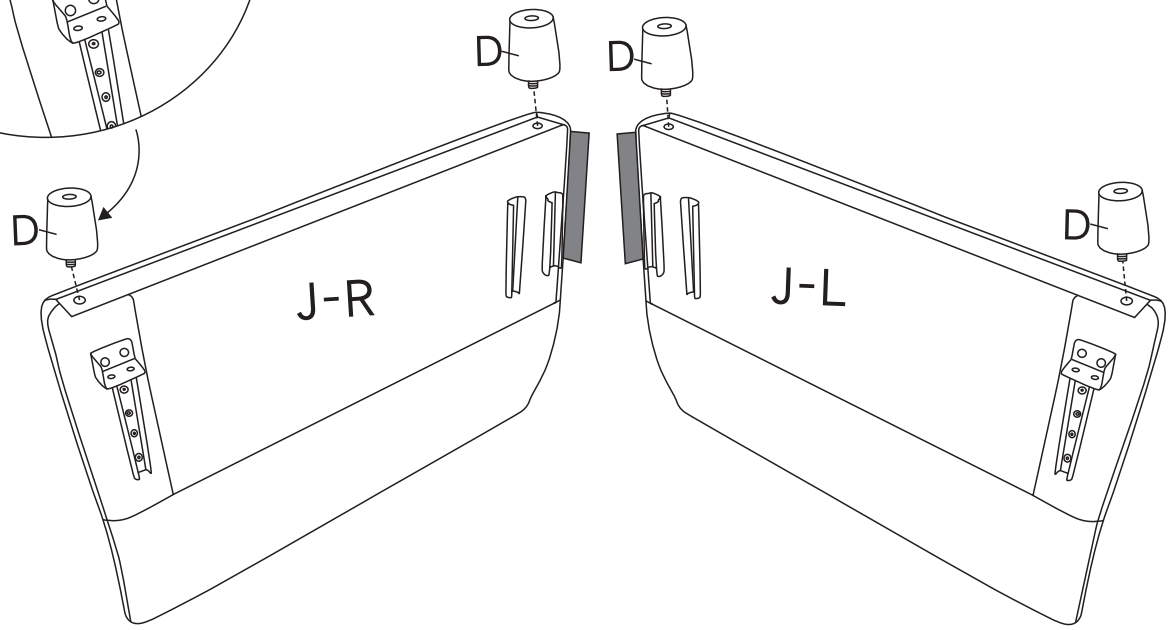
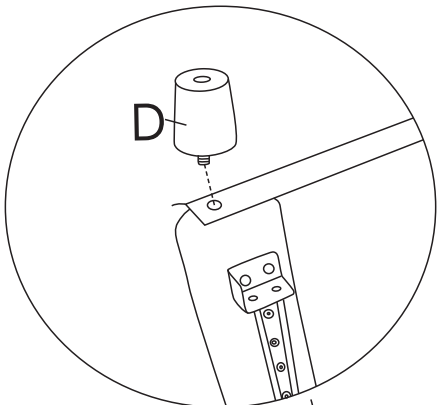
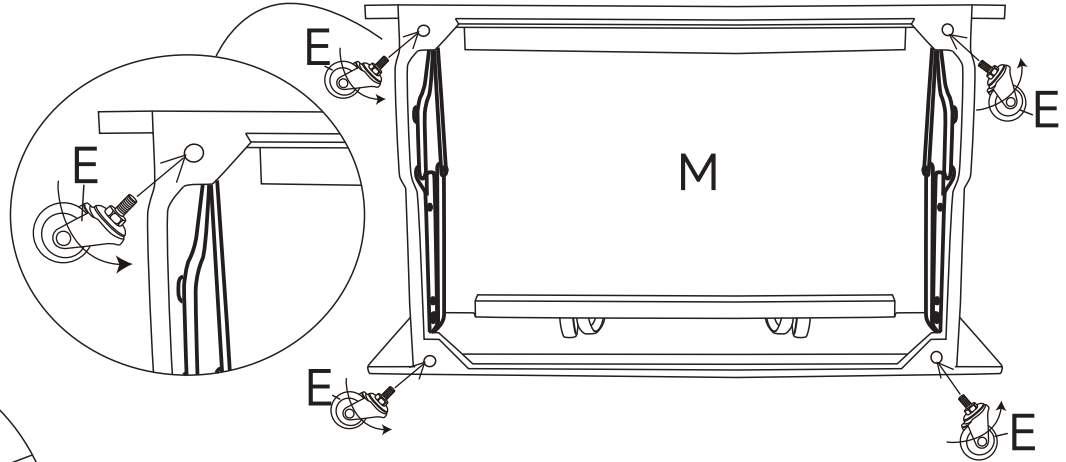
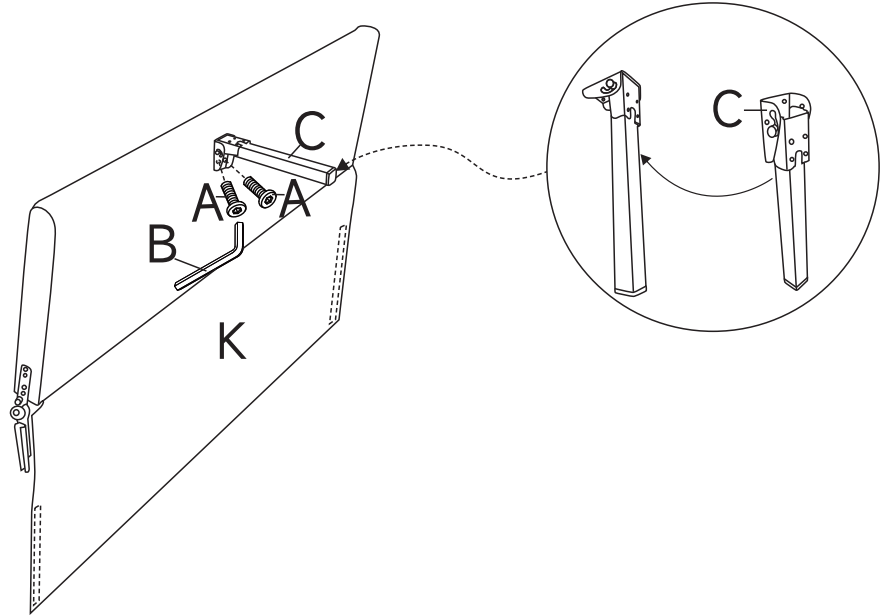
O X2

Hardware List

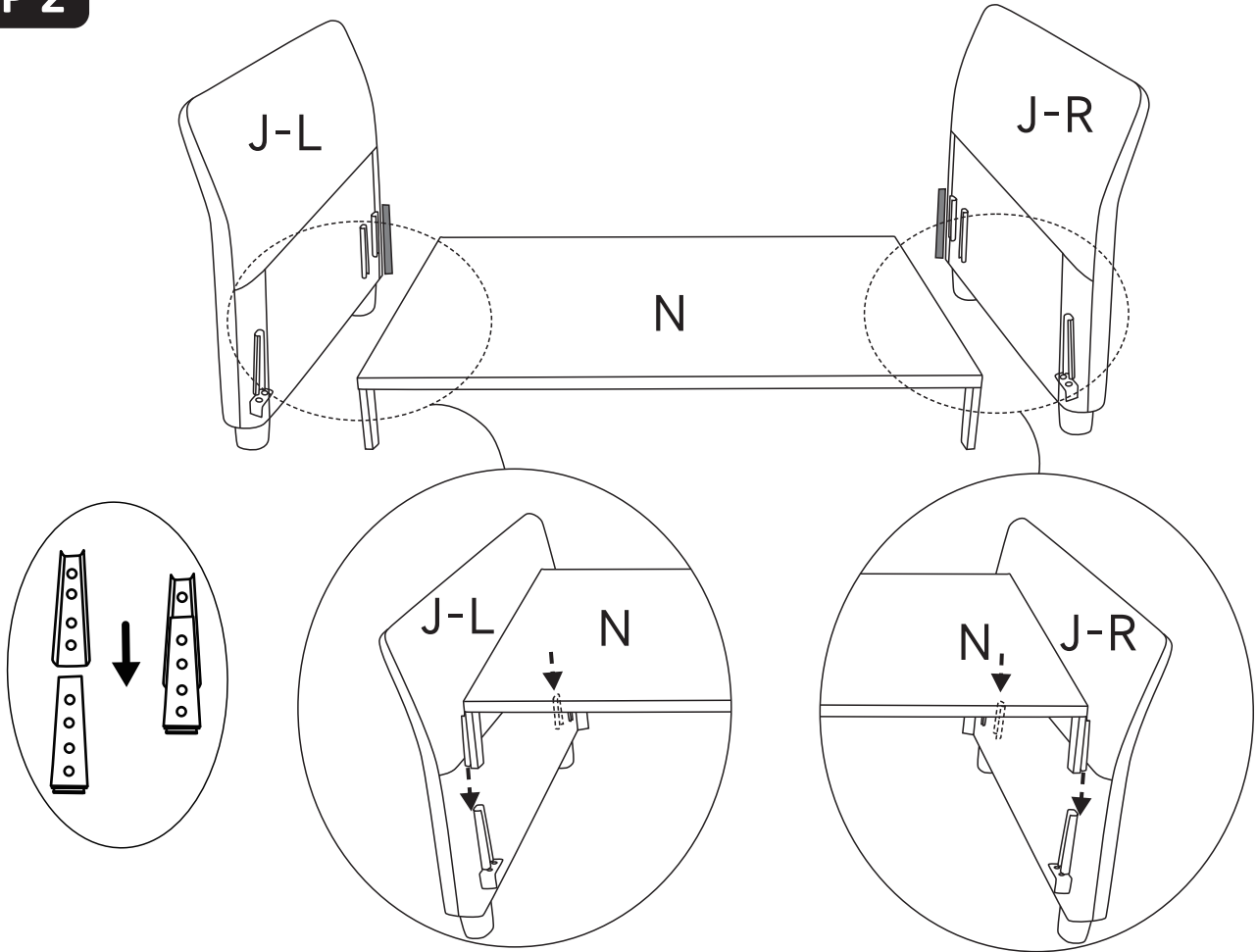
<p>A M6X16mm</p>  <p>X2</p>	<p>B M4</p>  <p>X1</p>	<p>C</p>  <p>X1</p>	<p>D</p>  <p>X4</p>	<p>E</p>  <p>X4</p>
--	---	--	--	---

STEP 1

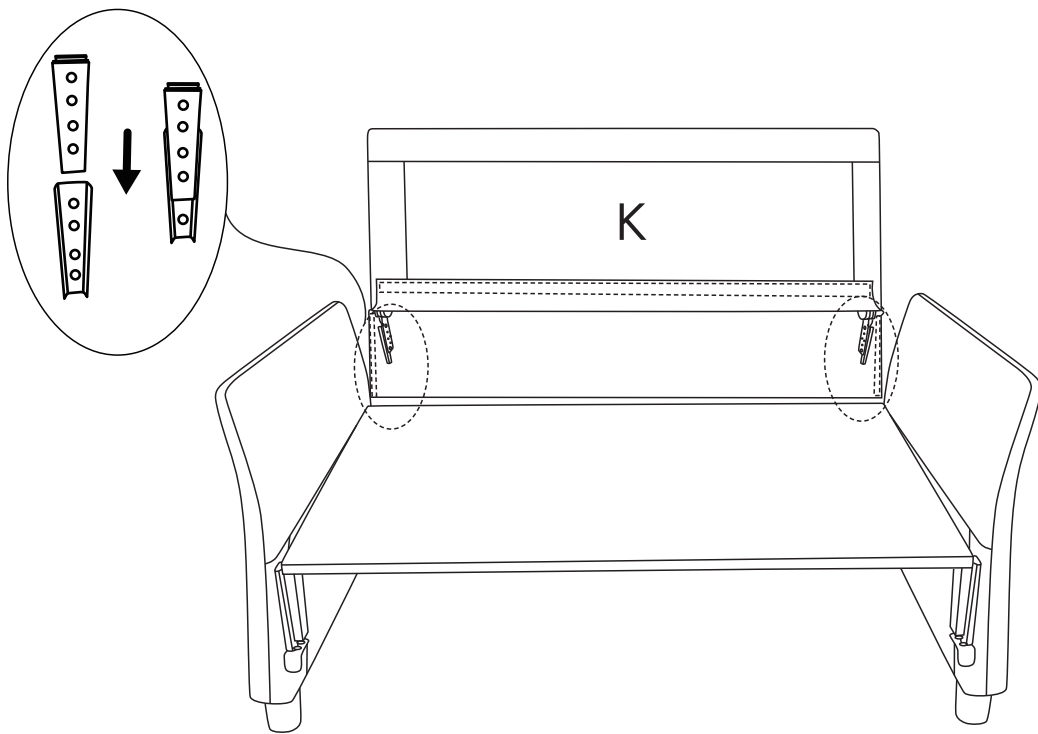
	Ax2
	Bx1
	Cx1
	Dx4
	Ex4



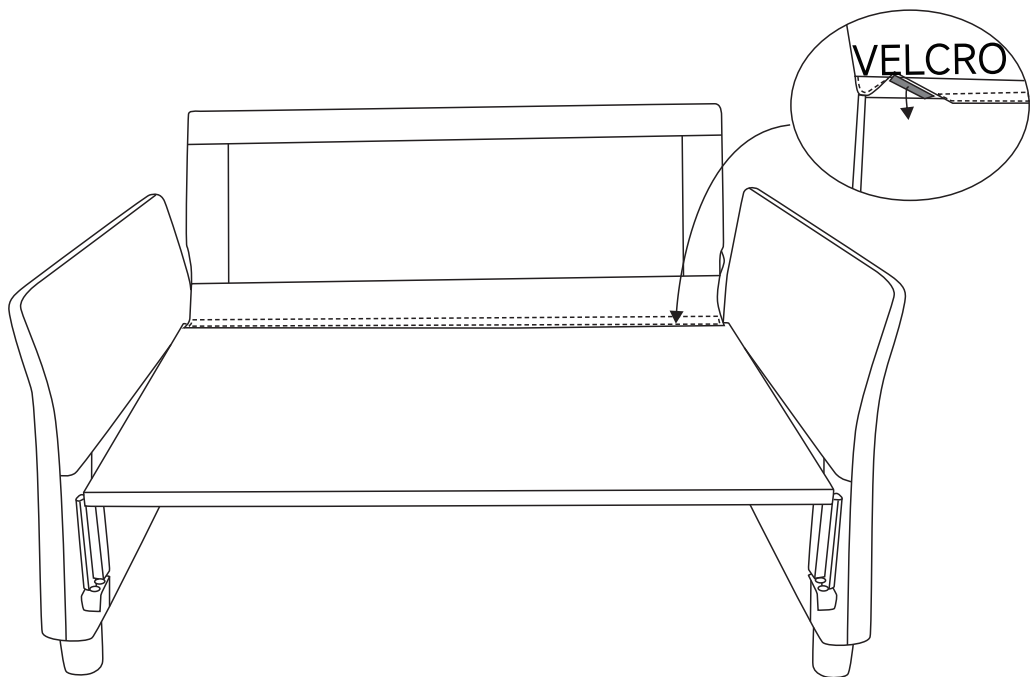
STEP 2



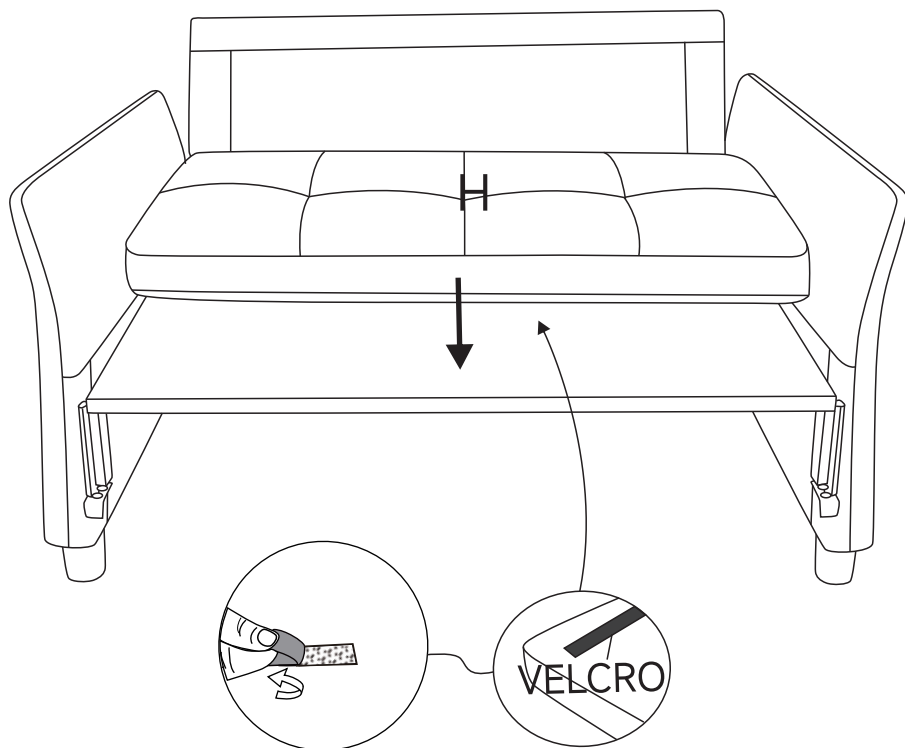
STEP 3



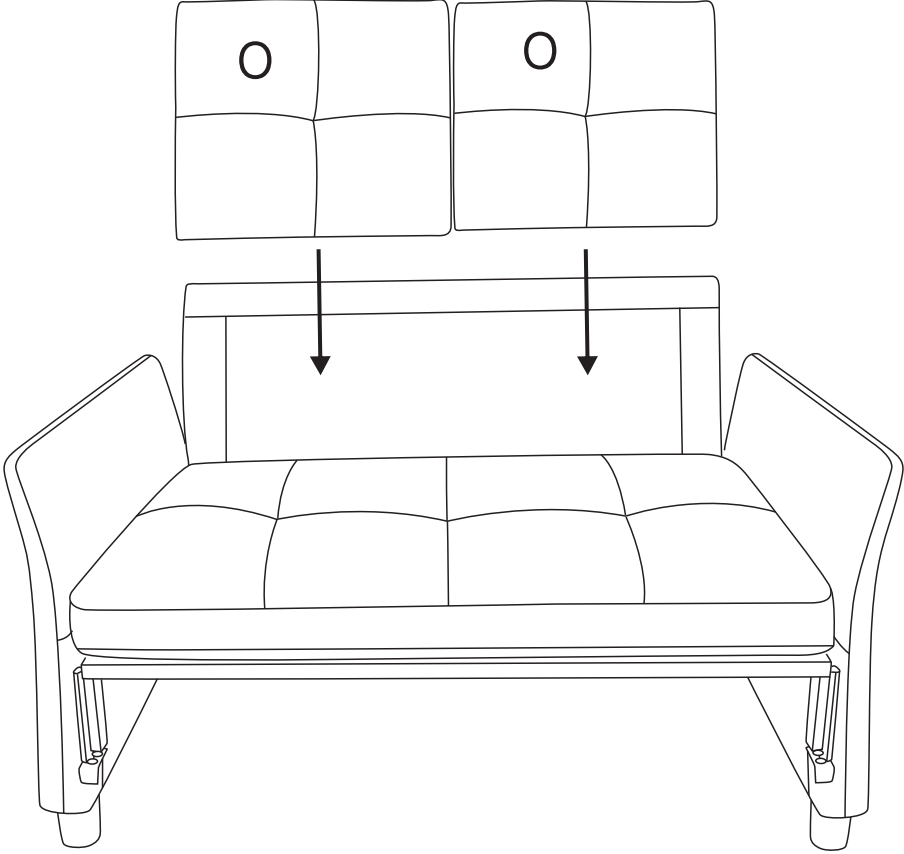
STEP 4



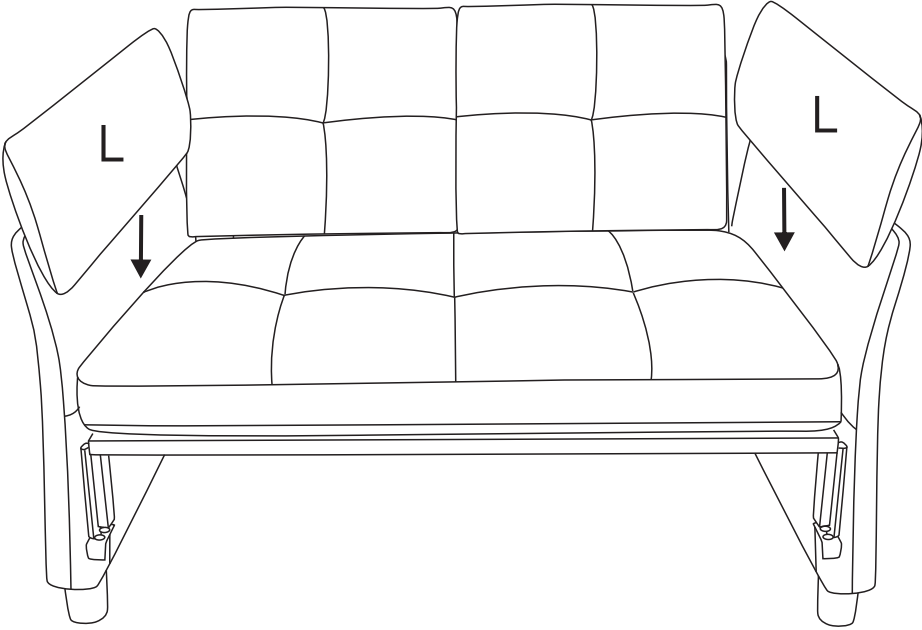
STEP 5



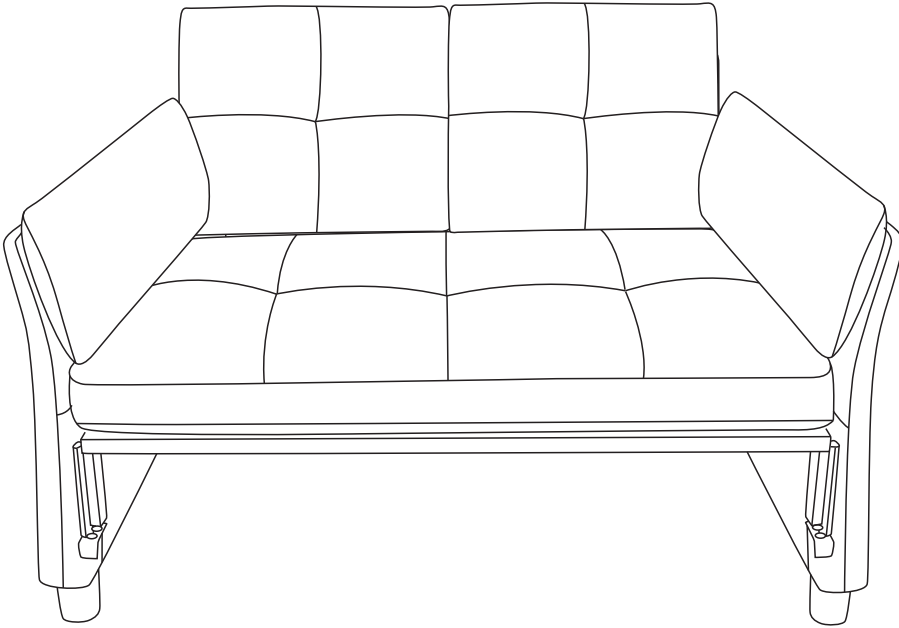
STEP 6



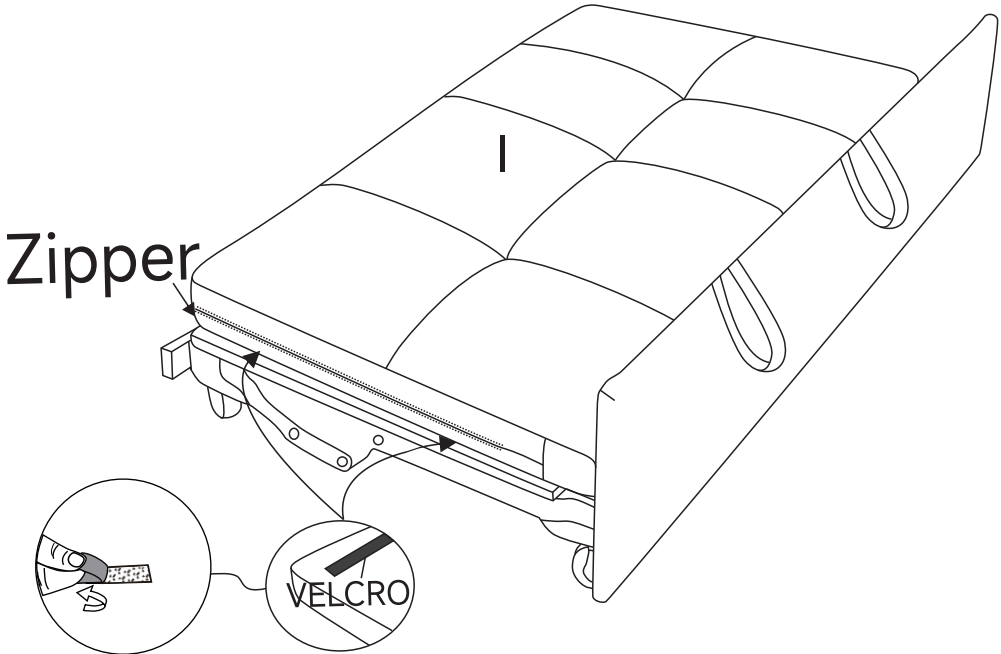
STEP 7



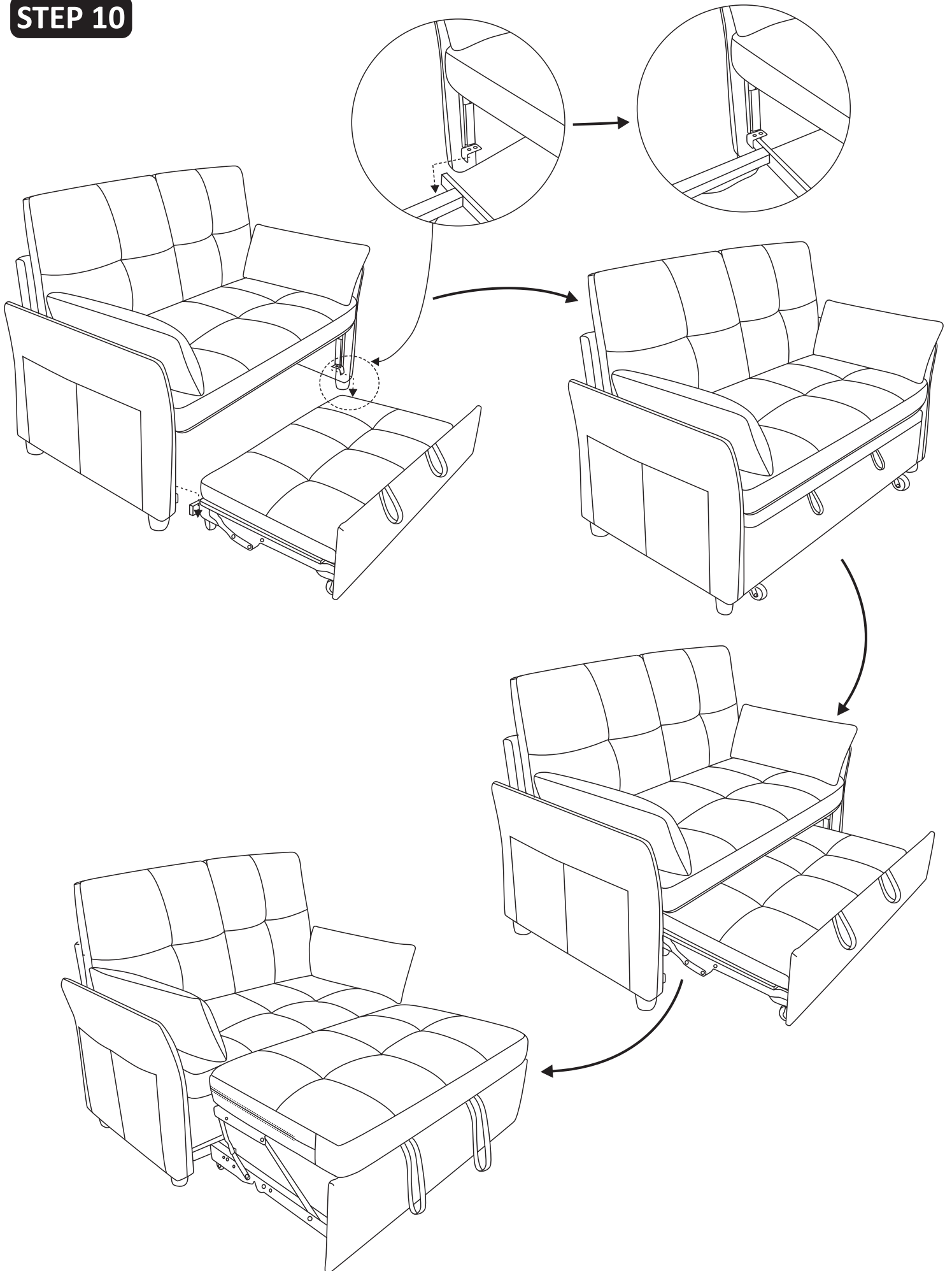
STEP 8



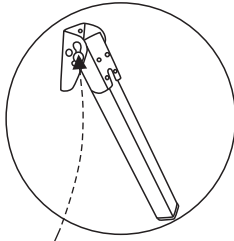
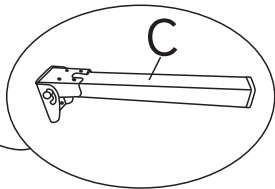
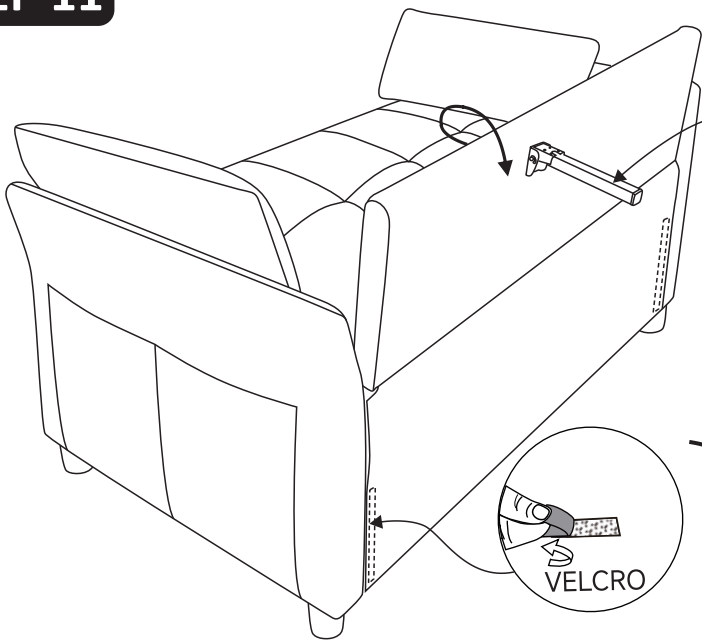
STEP 9



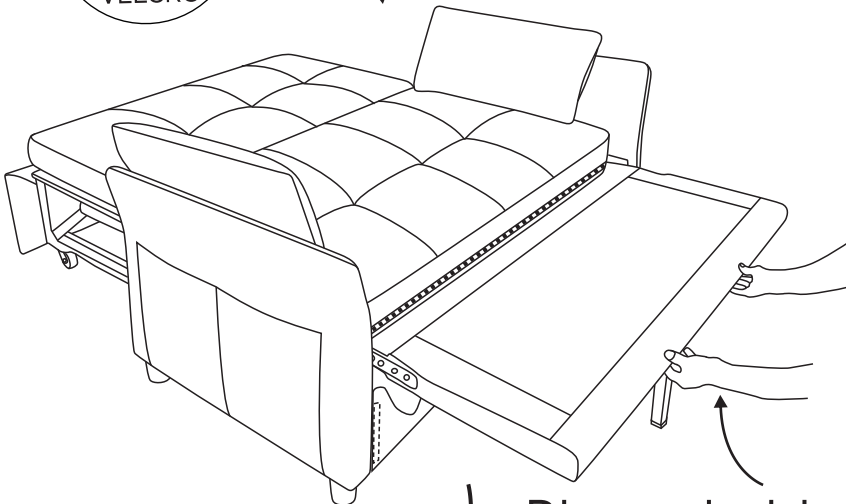
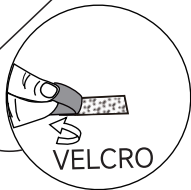
STEP 10



STEP 11



Please press the button to retract the support leg.



Please hold and adjust the gear with both hands.

