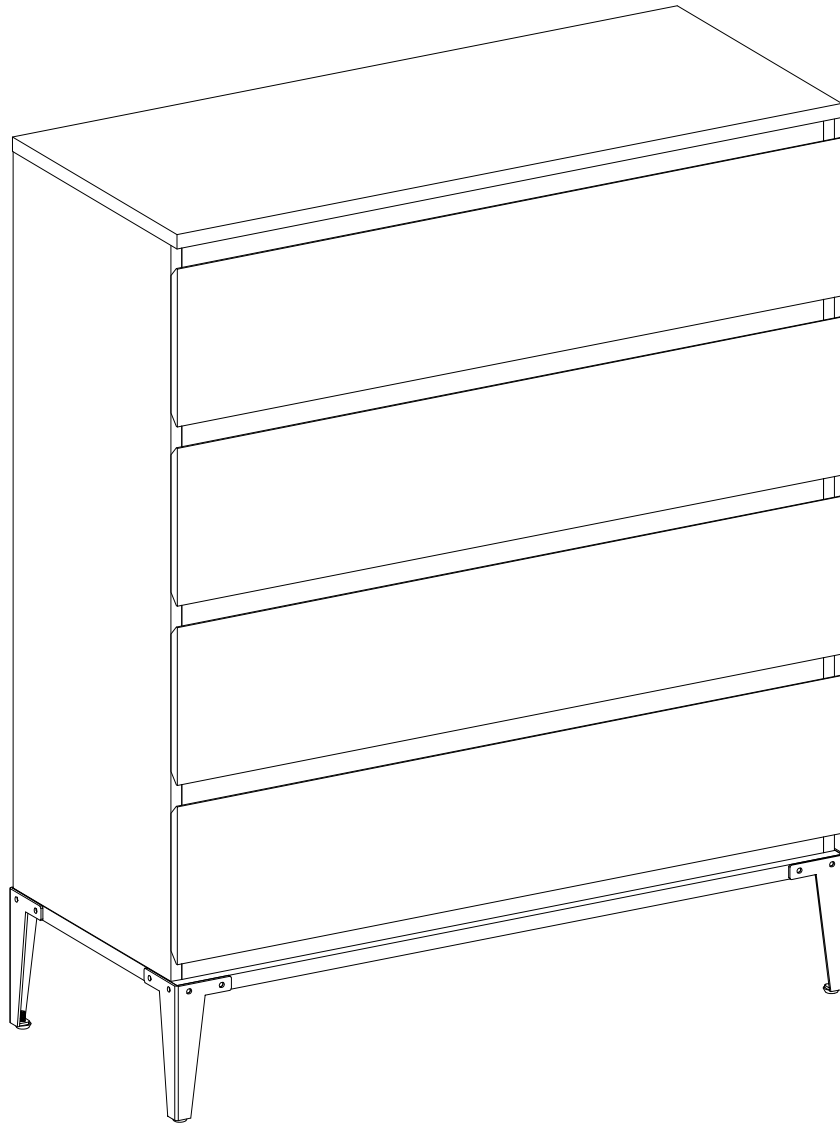
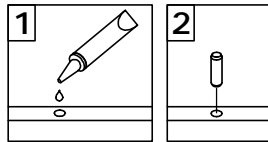


Assembly Instructions

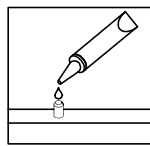


General Assembly Guidelines

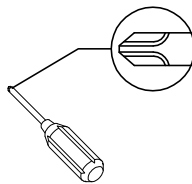
- I. Ensure that all parts and hardware are available before beginning assembly.
- II. Follow each step carefully to ensure the proper assembly of this product.
- III. Two people are recommended for ease in the assembly of this product.
- IV. The three main types of hardware used to assemble this product are: wood dowels, screws and bolts.
- V. The provided glue is to secure wood dowels in place. When first inserting dowels, locate the appropriate hole for the dowel, place a small amount of glue in the hole and insert the dowel. Wipe away excess glue immediately.



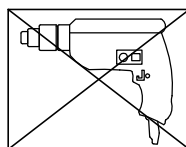
In future assembly steps when dowels are necessary to attach assembly parts together, place a small amount of glue on the end of the dowel before attaching parts together. Wipe away excess glue immediately.



- VI. A Phillips head screwdriver is required for the assembly of this product .

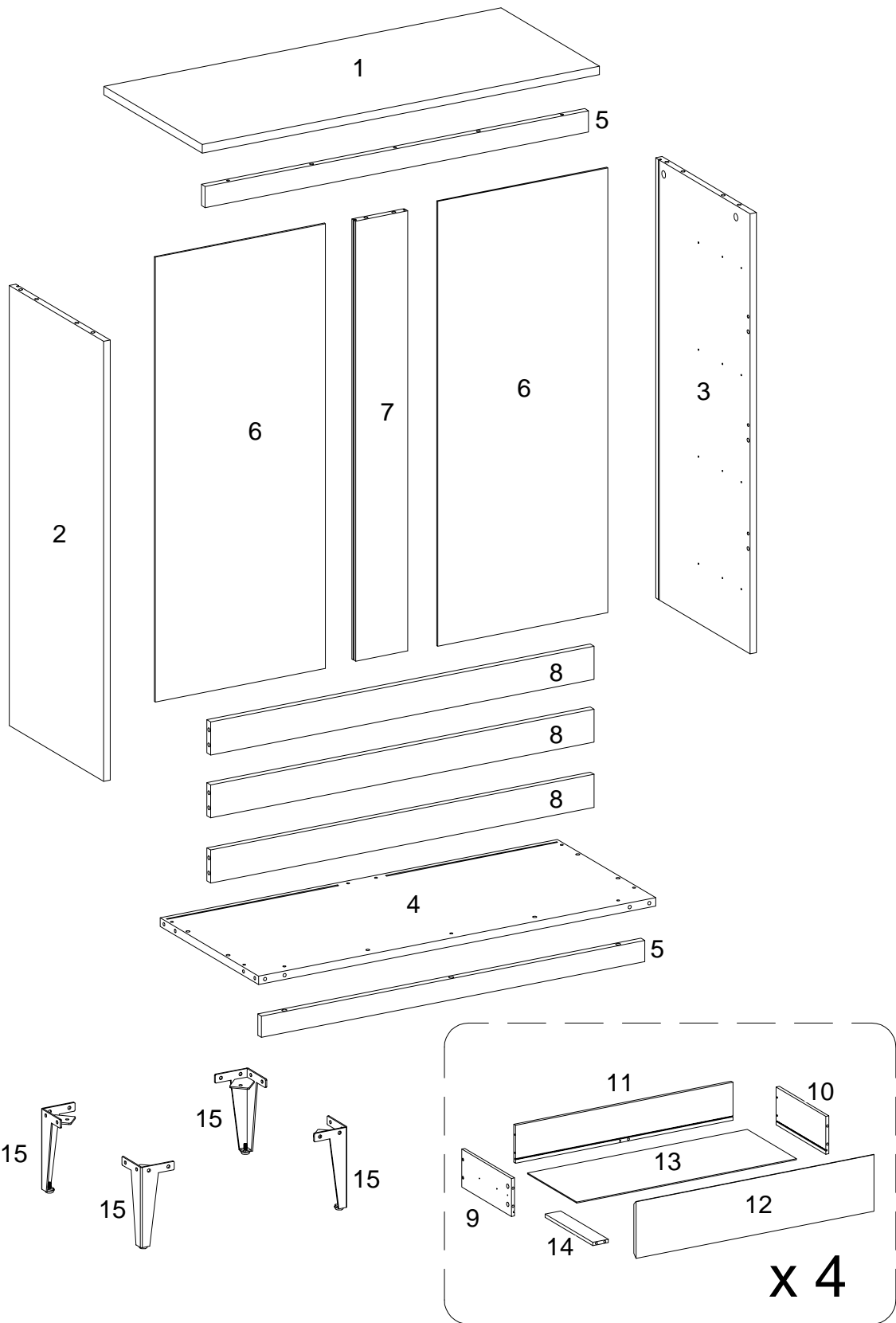


- VII. Power tools should not be used to assemble this product.






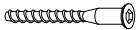

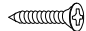
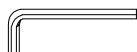
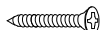

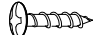



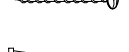
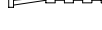
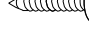
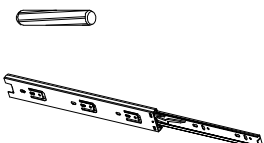




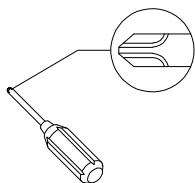
- VIII. Drill may be needed for securing product to wall.

Parts List



Hardware List

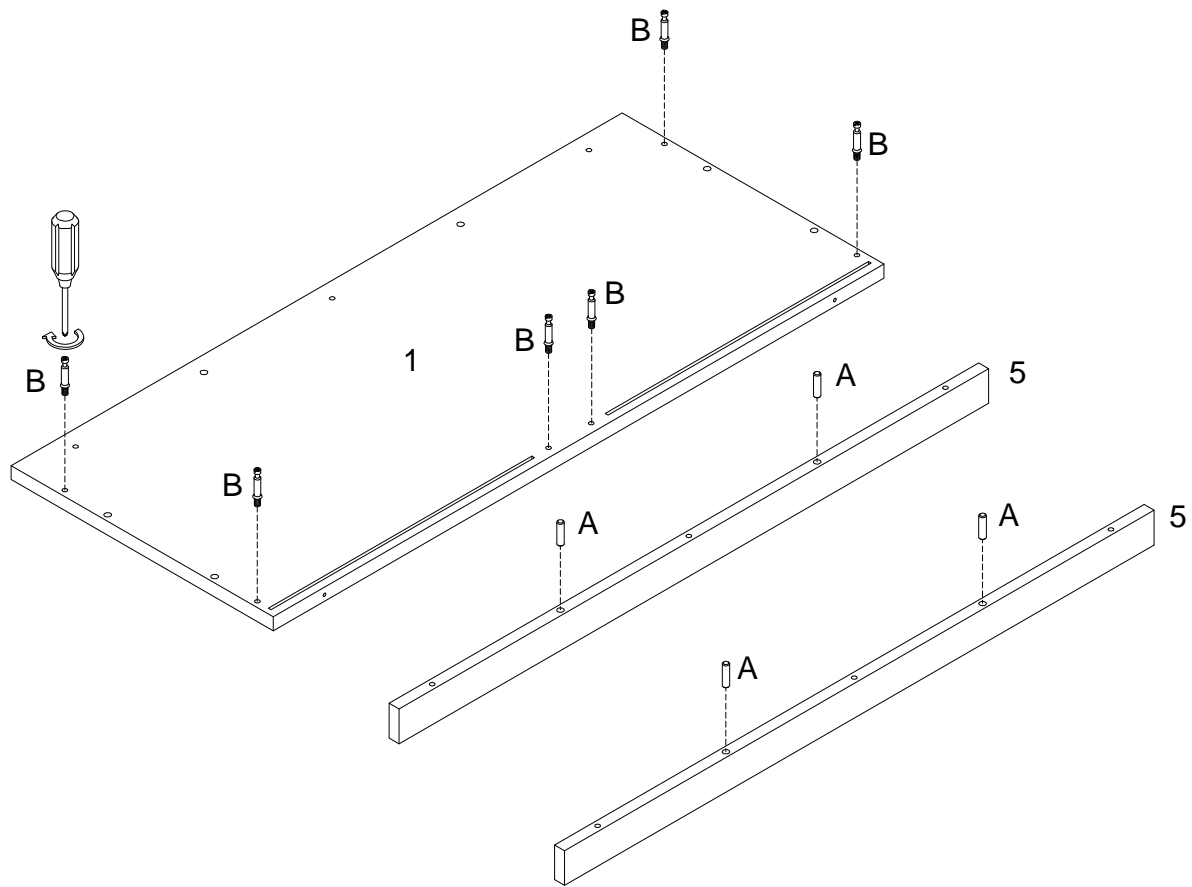
A		Ø8x30mm	Wooden dowel	18 pcs
B		Ø6x35mm	Cam bolt	34 pcs
C		Ø15x11mm	Cam lock	14 pcs
D		Ø15x9mm	Cam lock	20 pcs
E		Ø30mm	Sticker	28 pcs
F		Ø6x50mm	Screw	4 pcs
G			Plastic wedge	12 pcs
H		Ø3x17mm	Screw	12 pcs
J		M4	Hex Key	1 pc
K		Ø4x38mm	Screw	26 pcs
L		Ø3x12mm	Screw	48 pcs
M		Ø5x15mm	Screw	16 pcs
N		Ø6x12mm	Bolt	4 pcs
P			Velcro strap	2 pcs
Q		Ø4x25mm	Screw	2 pcs
R			Nut	2 pcs
S		Ø4x12mm	Screw	2 pcs
T		Ø6x30mm	Wooden dowel	8 pcs
U		10"	Drawer slider	4 Sets
			* Note: This piece comes preassembled for shipping purposes and must be disassembled to complete the desk assembly.	
V			Glue tube	1 pc
W		Ø30mm	Sticker(black)	6 pcs



Philips head screwdriver required for assembly
(not included)

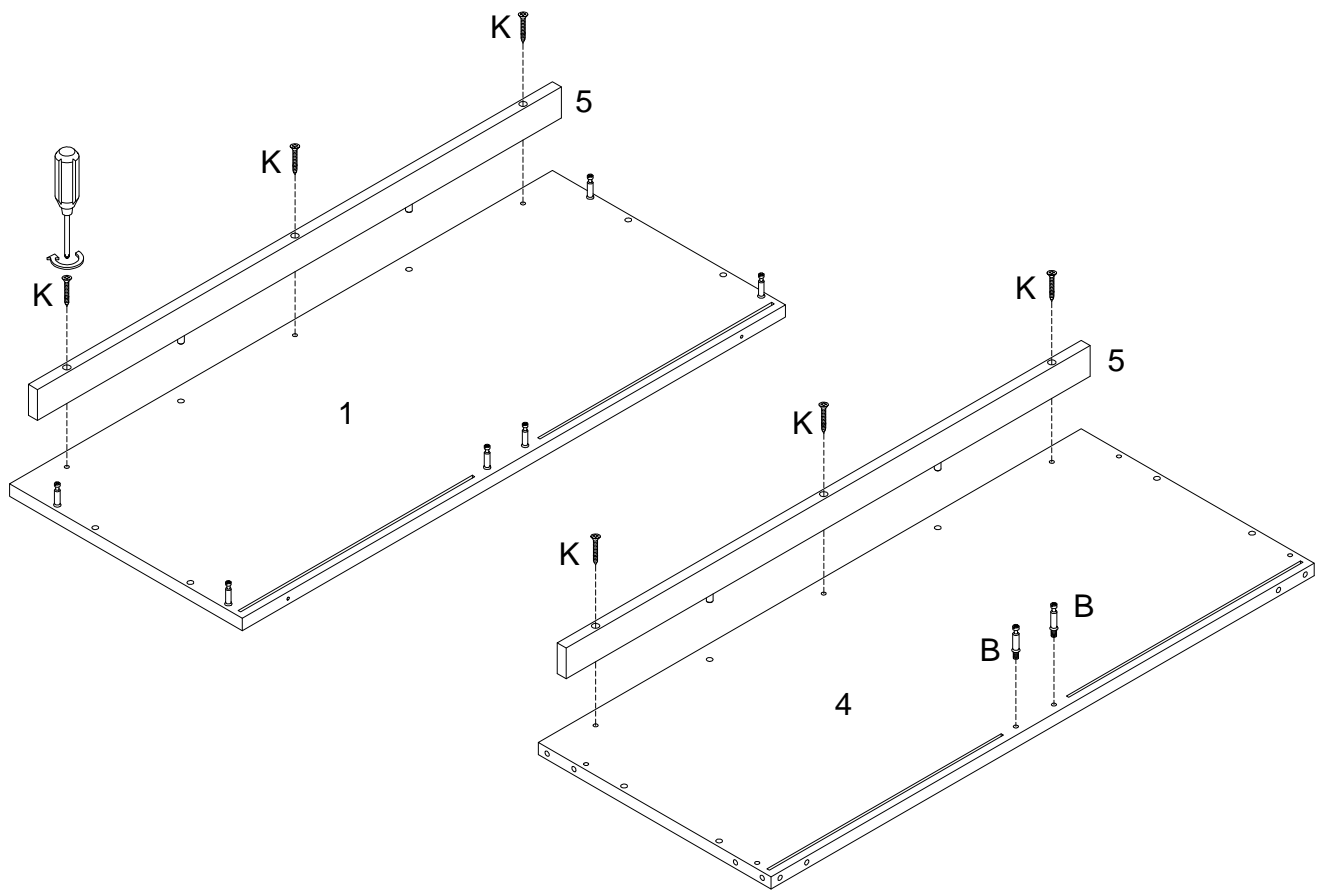
*The hardware quantities listed above are required for proper assembly.
Some extra hardware may also have been included.*

Step 1



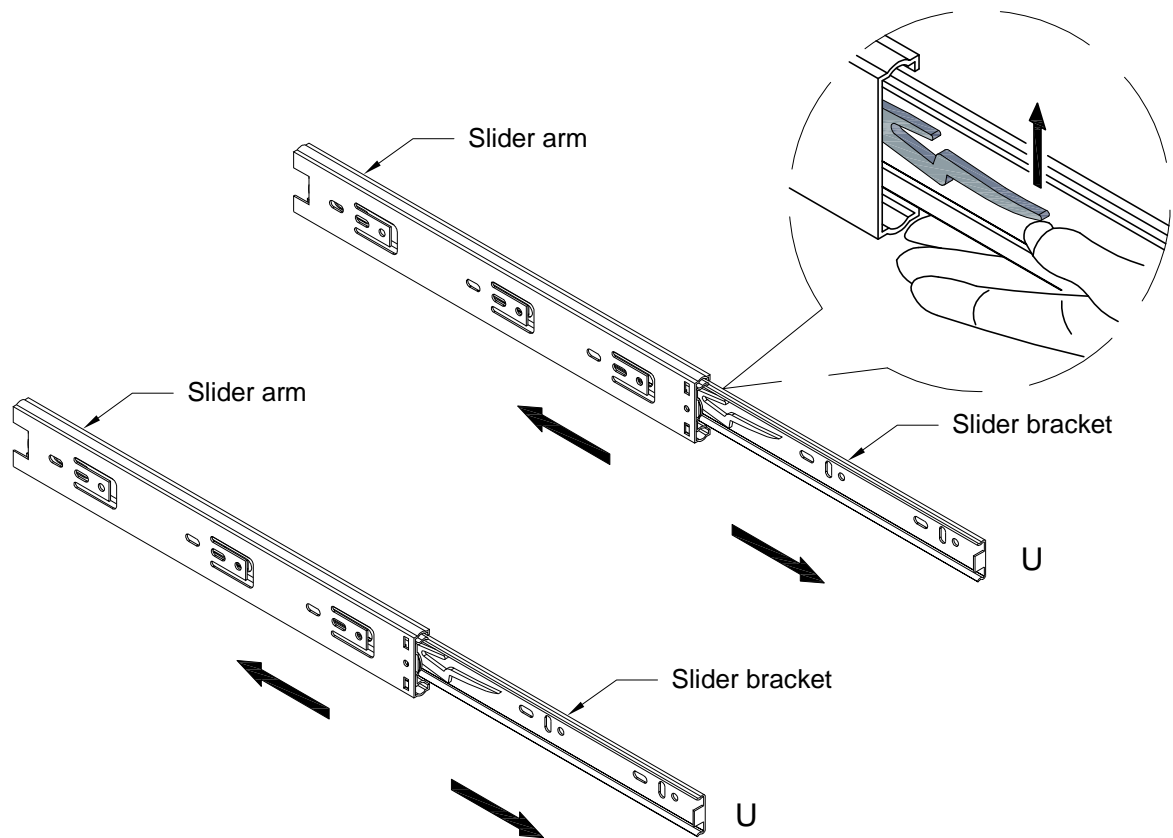
Insert wooden dowel (A) into part (5), and then secure cam bolt (B) into part (1) with Philips head screwdriver as per diagram.

Step 2



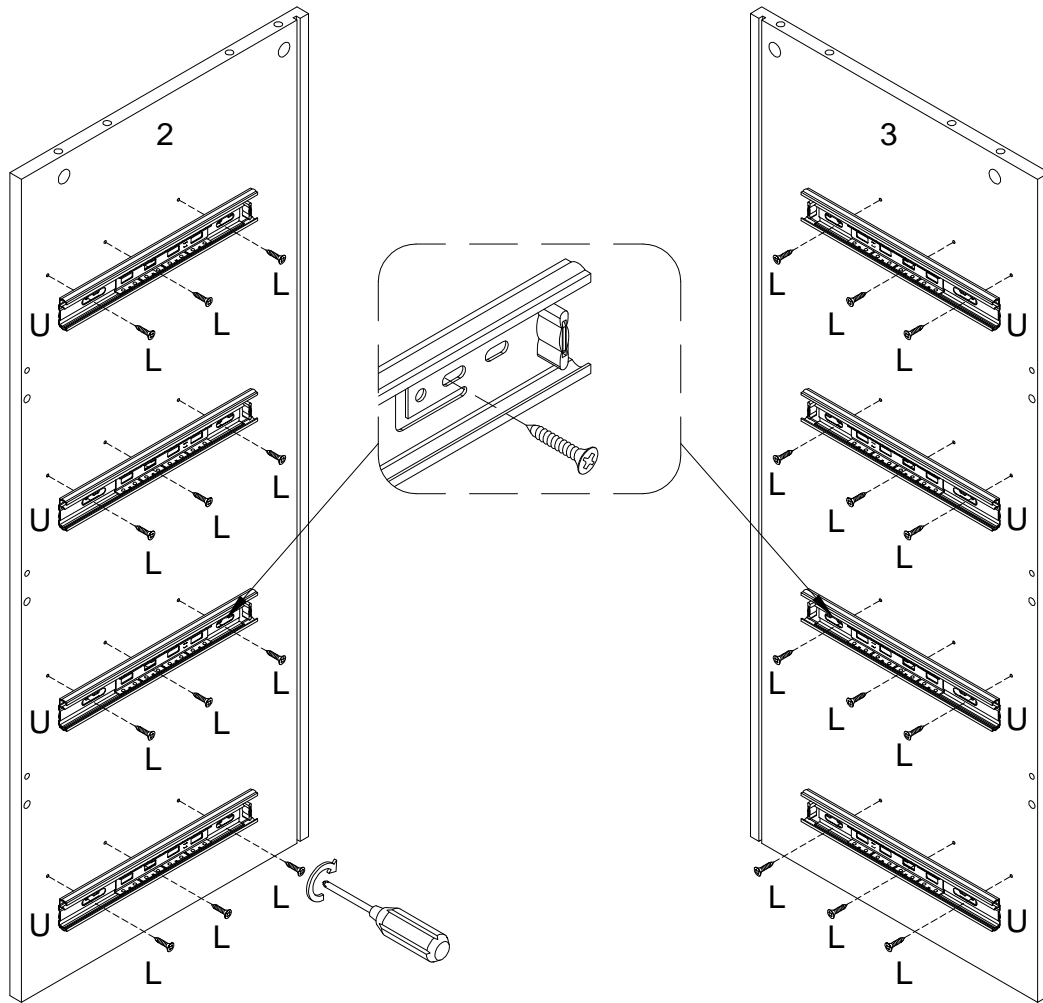
Secure cam bolt (B) into part (4), and using screw (K) attach part (5) into parts (1,4) with Philips head screwdriver as per diagram.

Step 3



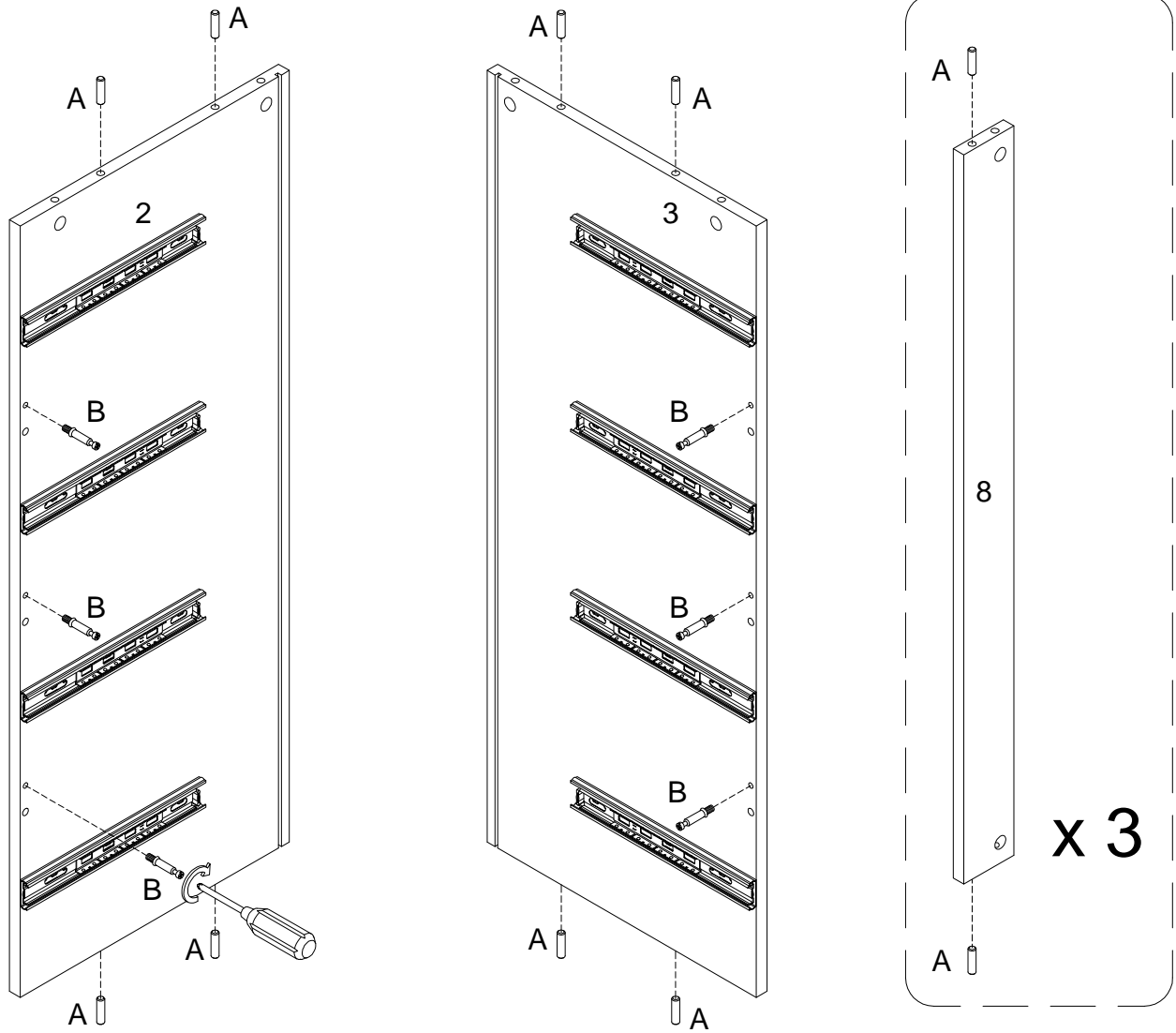
Pick up the slider arm (U) and separate the slider bracket for the following steps. Extend the slider bracket all the way forward, press the plastic release lever of the slider arm up and pull the slider bracket complete out.

Step 4



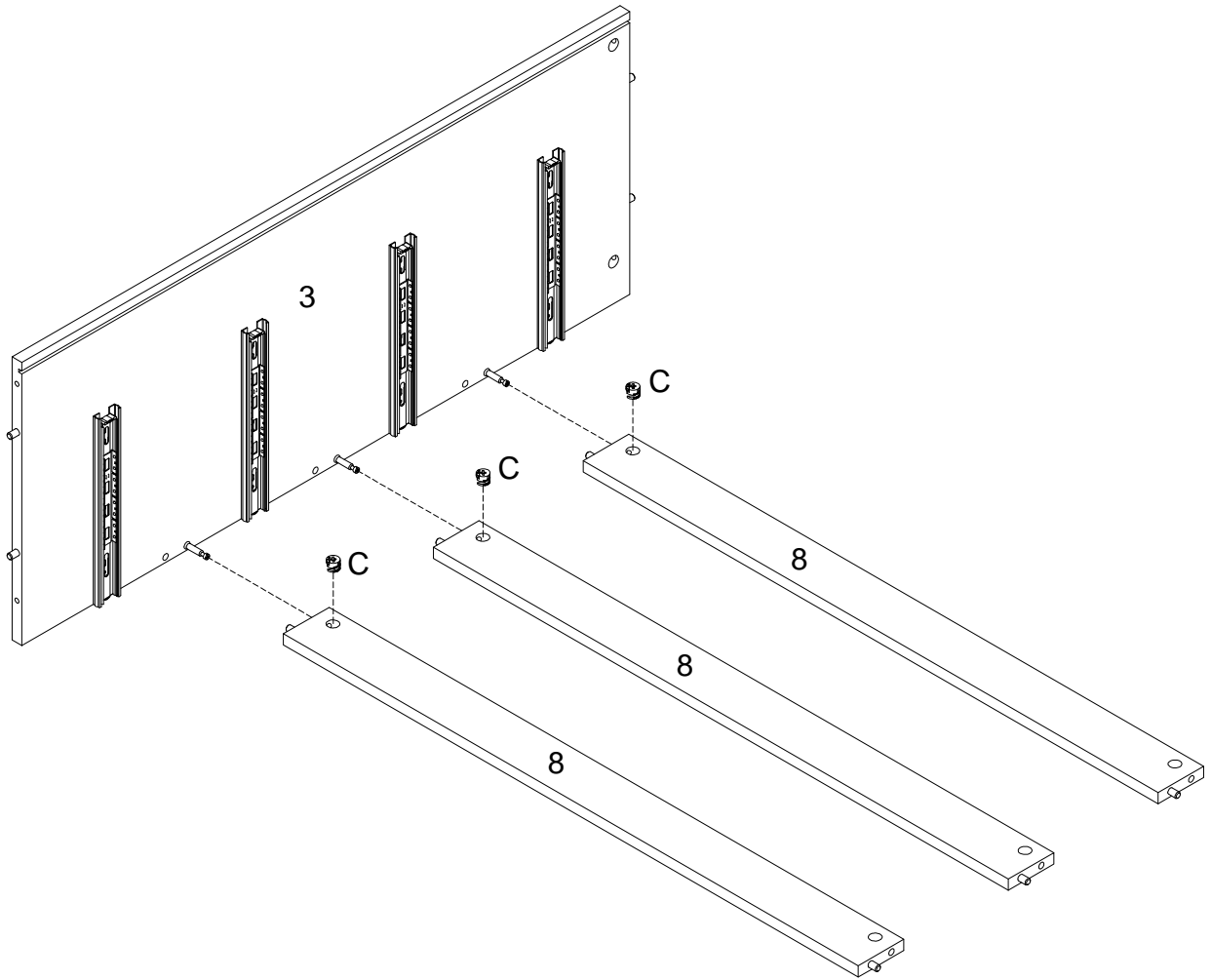
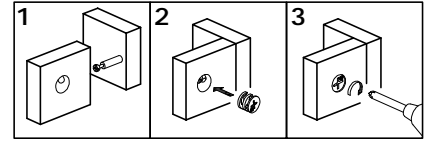
Using screw (L) attach drawer slider (U) to parts (2,3) with Philips head screwdriver as per diagram.

Step 5



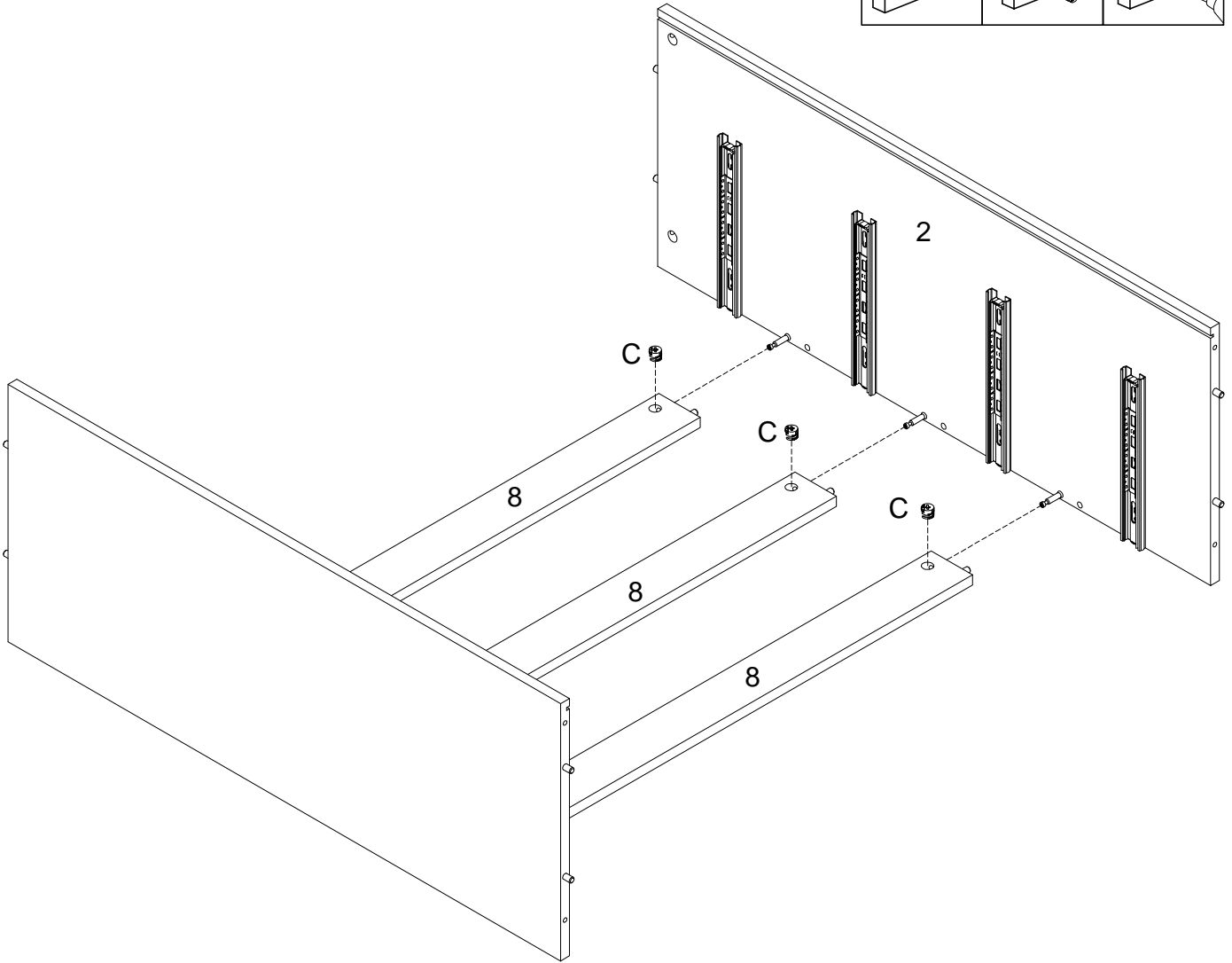
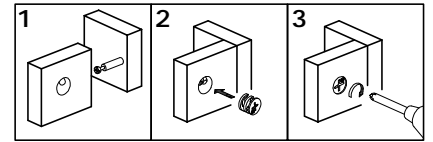
Insert wooden dowel (A) into parts (2,3,8), and then secure cam bolt (B) into parts (2,3) with Philips head screwdriver as per diagram

Step 6



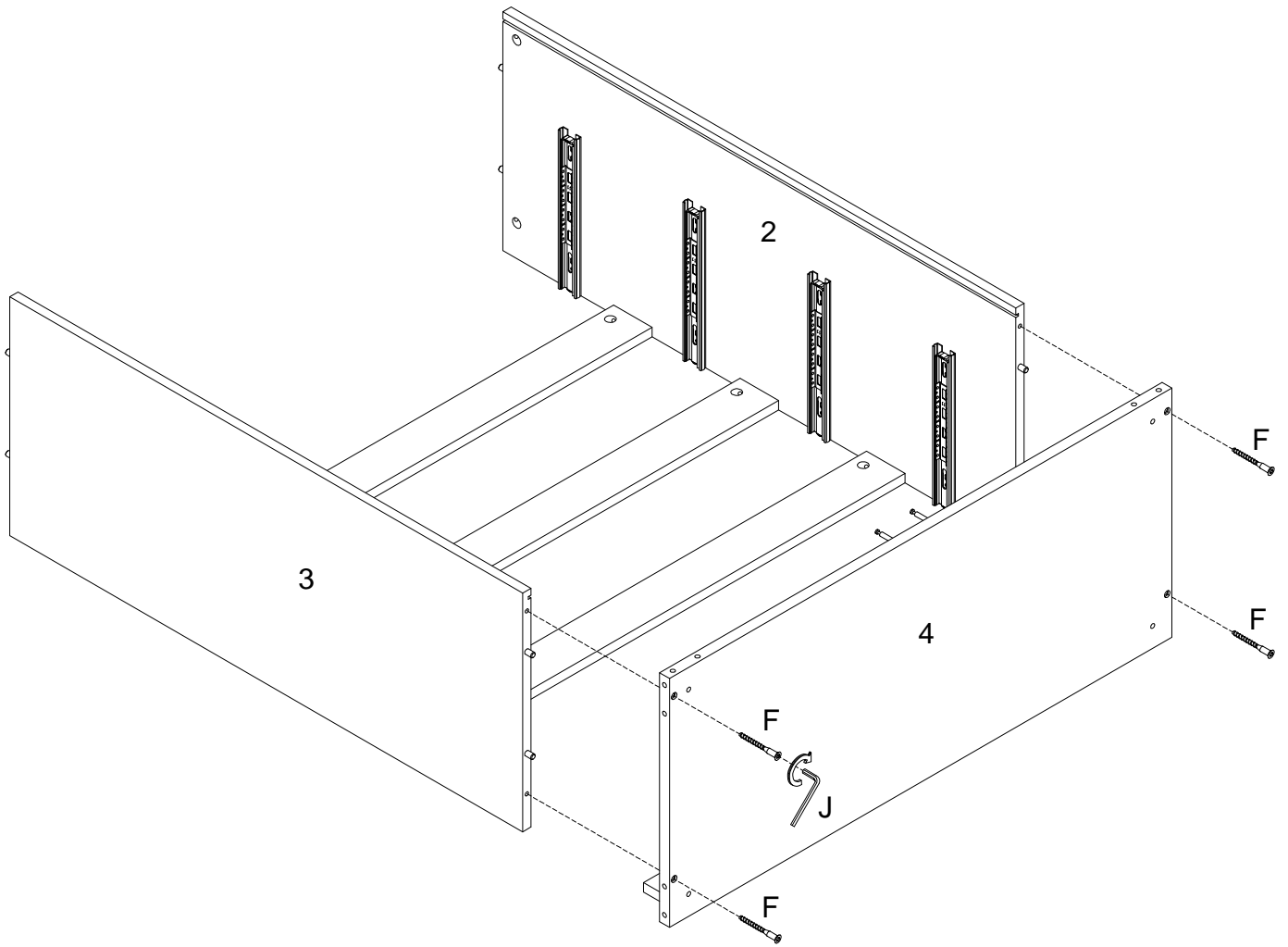
Using cam lock (C) secure part (8) to part (3) with Philips head screwdriver as per diagram.

Step 7



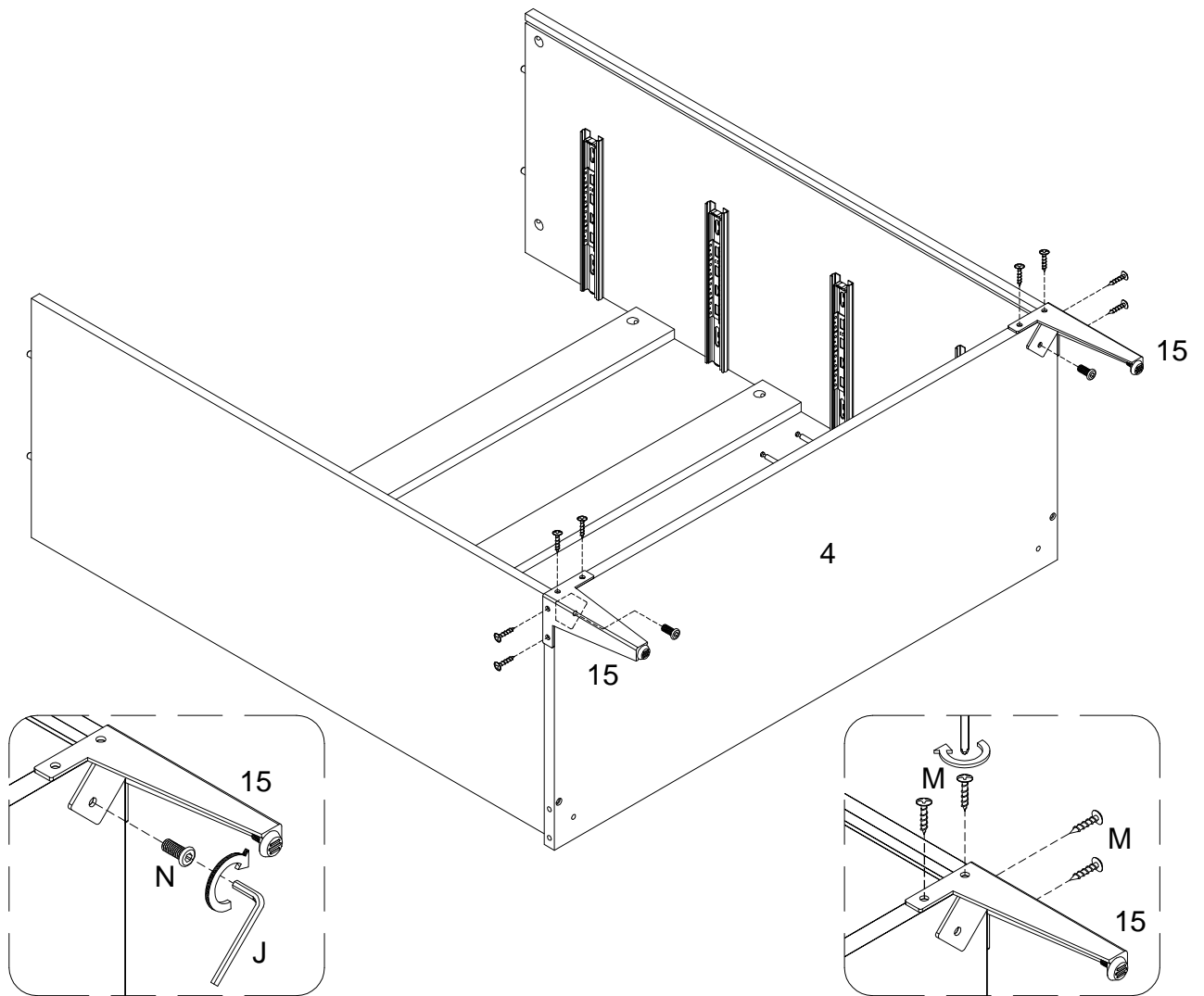
Using cam lock (C) secure part (8) to part (2) with Philips head screwdriver as per diagram.

Step 8



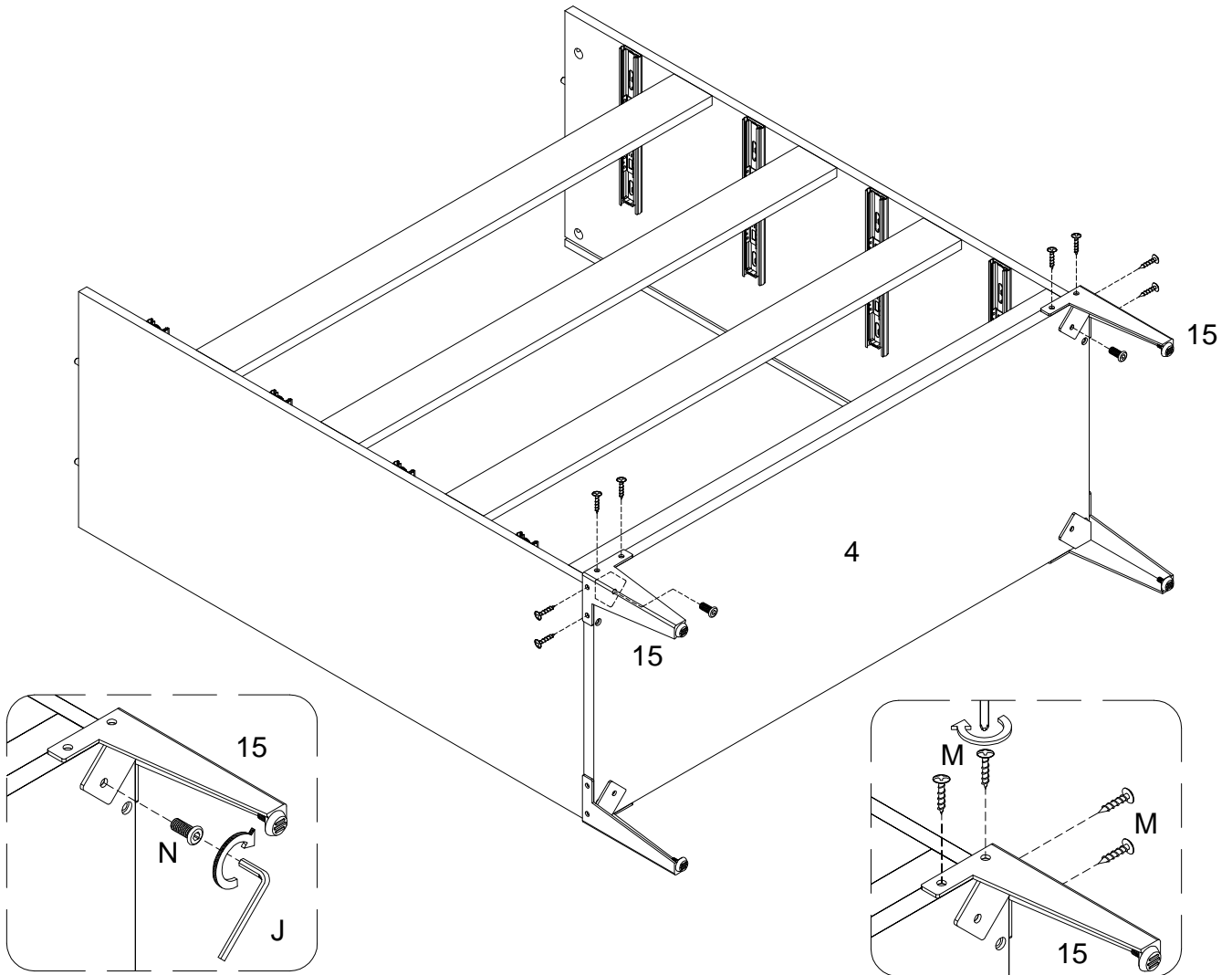
Using screw (F) attach part (4) to parts (2,3) with hex key (J) as per diagram.

Step 9



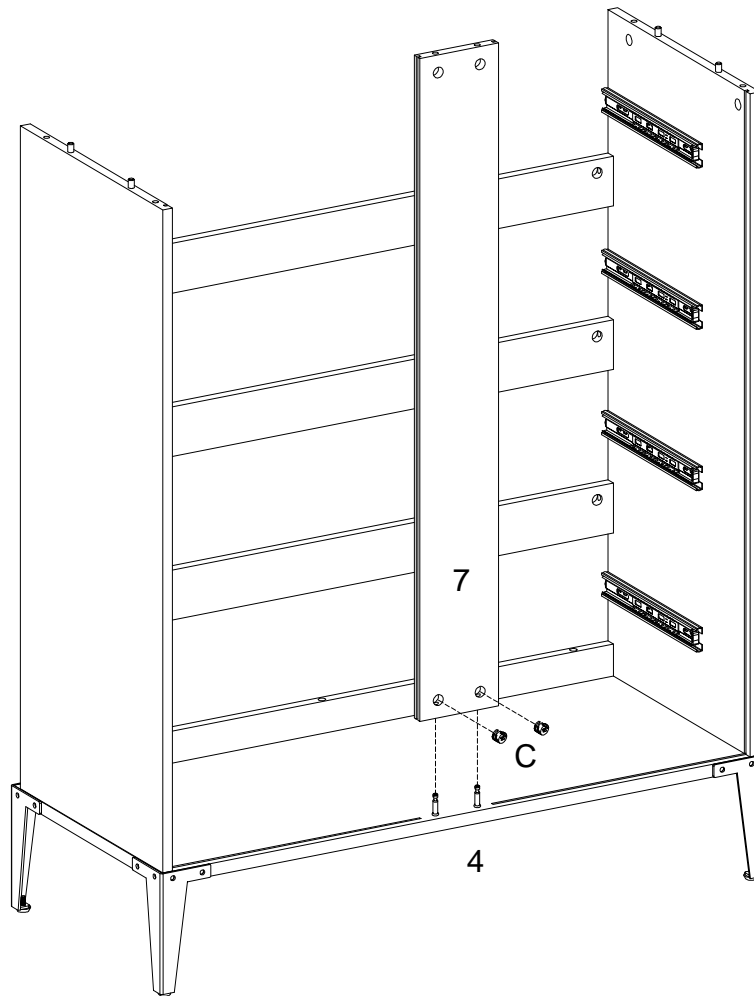
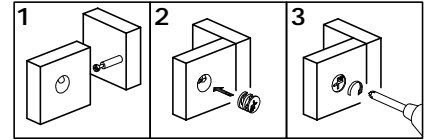
Using screw (M) attach part (15) to part (4) with Philips head screwdriver, and using bolt (N) attach part (15) to part (4) with hex key (J) as per diagram.

Step 10



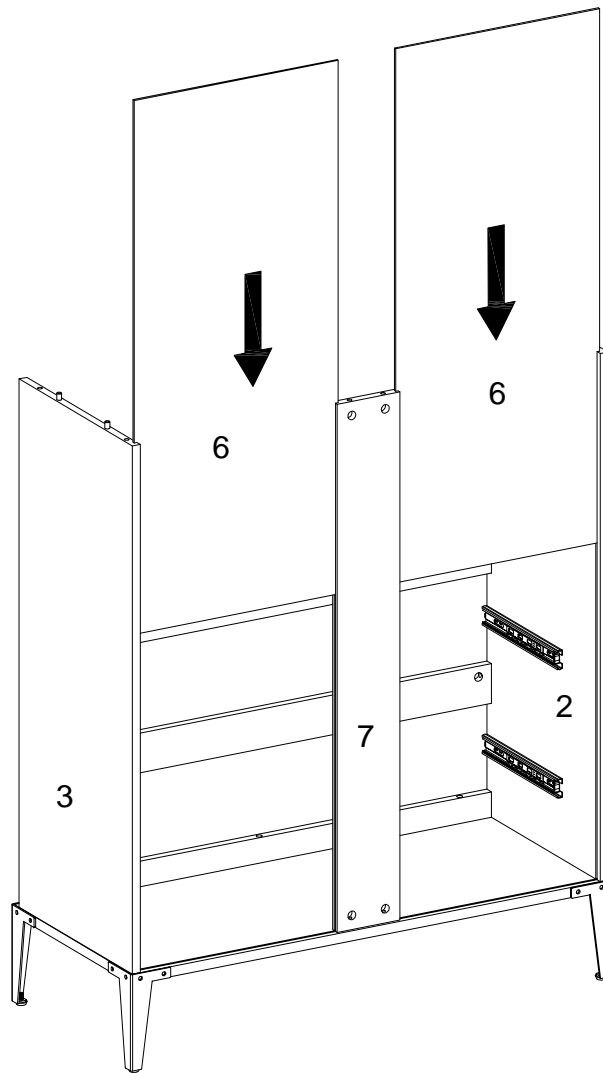
Using screw (M) attach part (15) to part (4) with Philips head screwdriver and using bolt (N) attach part (15) to part (4) with hex key (J) as per diagram.

Step 11



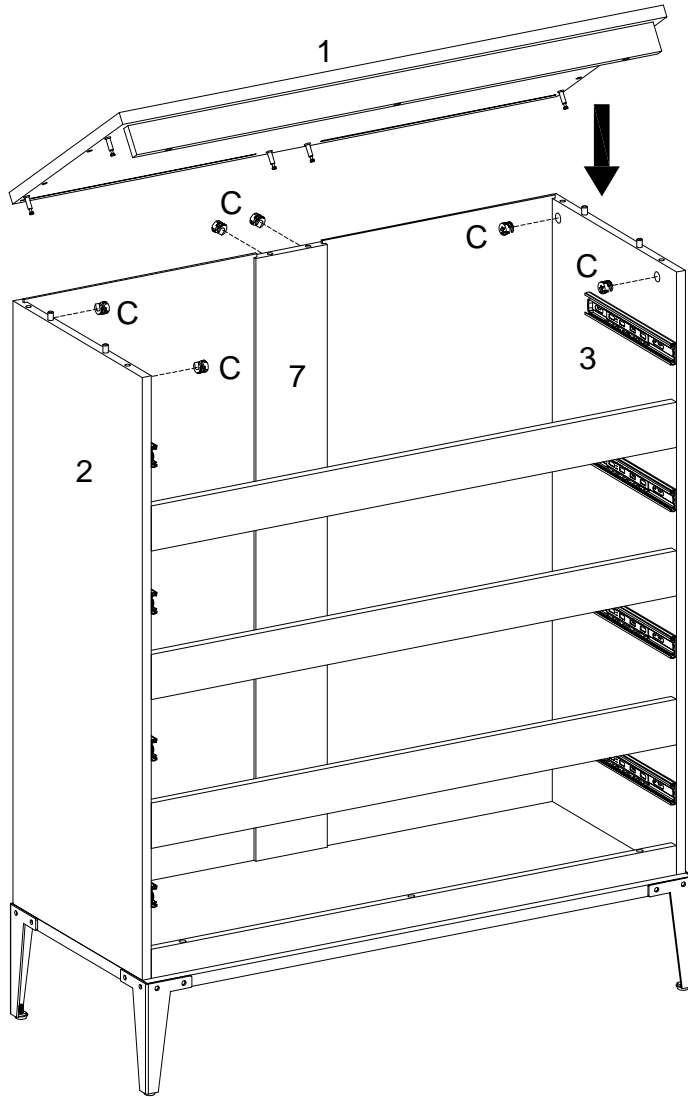
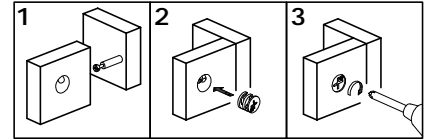
Using cam lock (C) secure part (7) to part (4) with Philips head screwdriver as per diagram.

Step 12



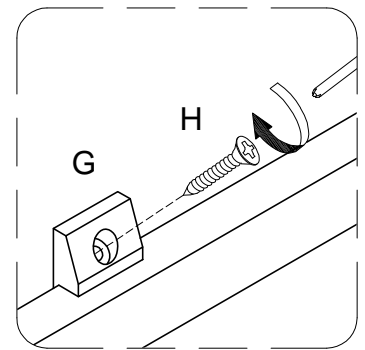
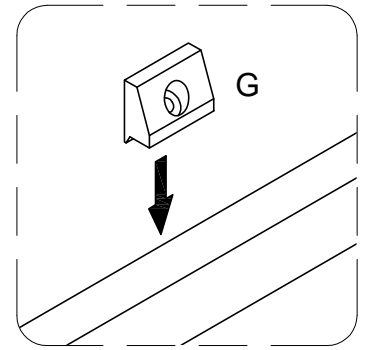
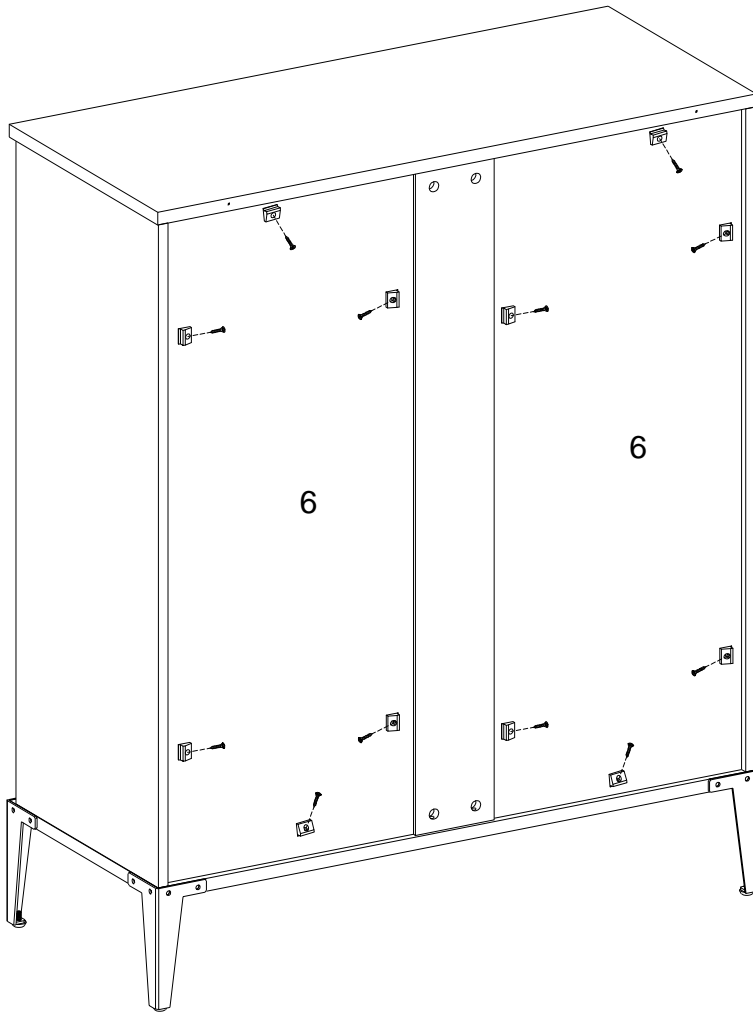
Put part (6) as per diagram.

Step 13



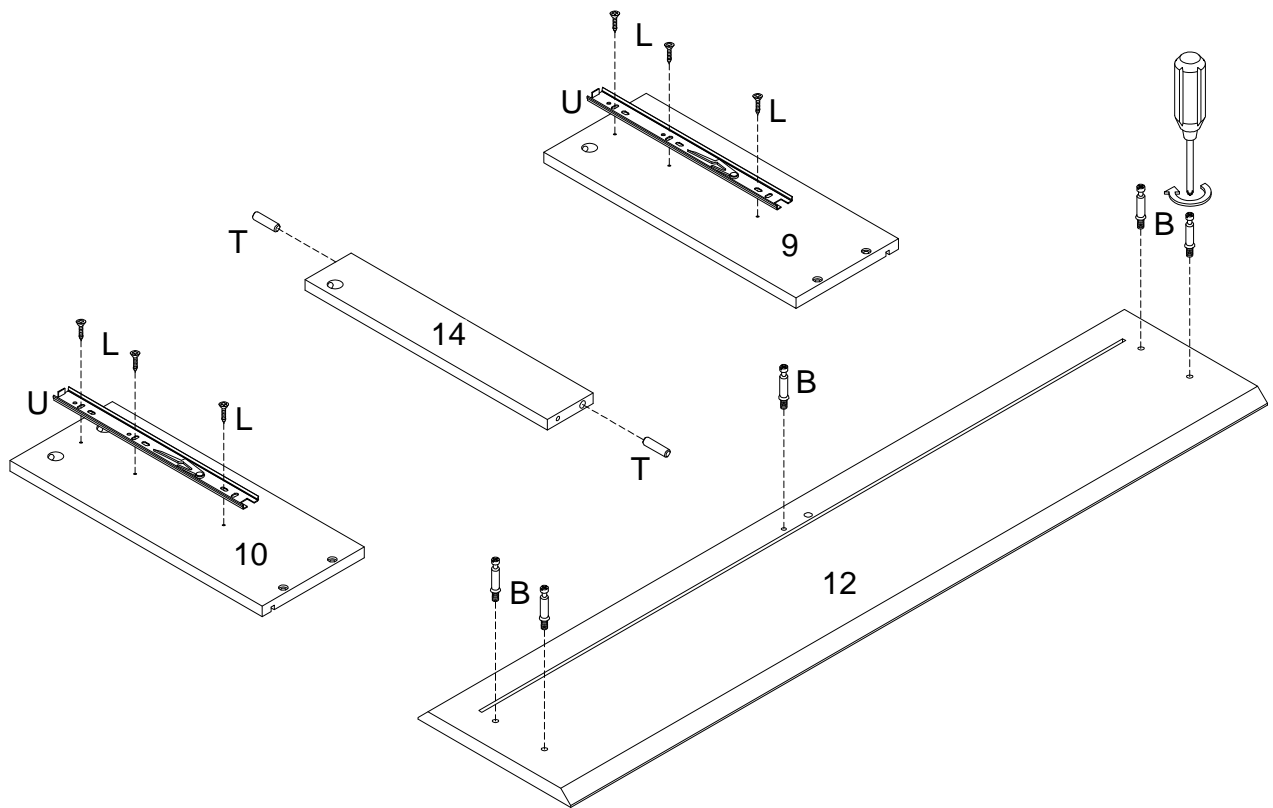
Using cam lock (C) secure part (1) into parts (2,3,7) with Philips head screwdriver as per diagram.

Step 14



Using screw (H) secure plastic wedge (G) to part (6) with Philips head screwdriver as per diagram.

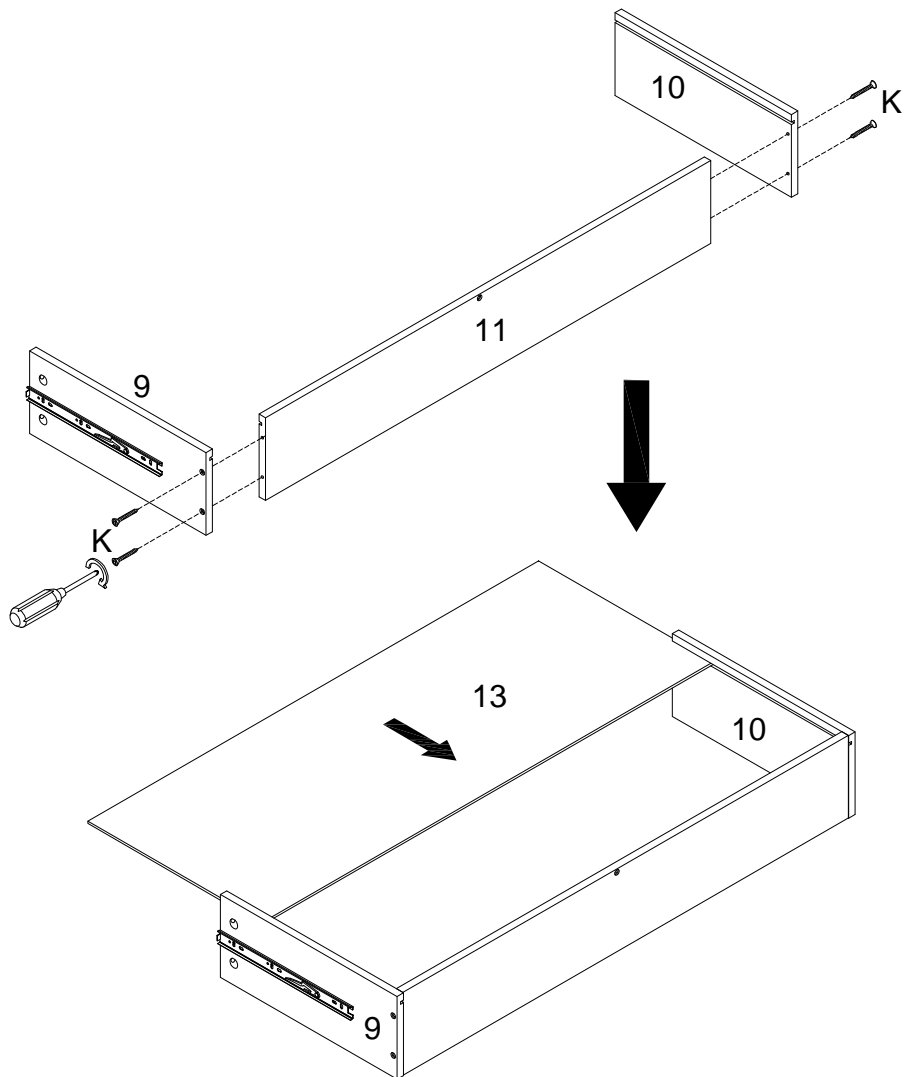
Step 15



x 4

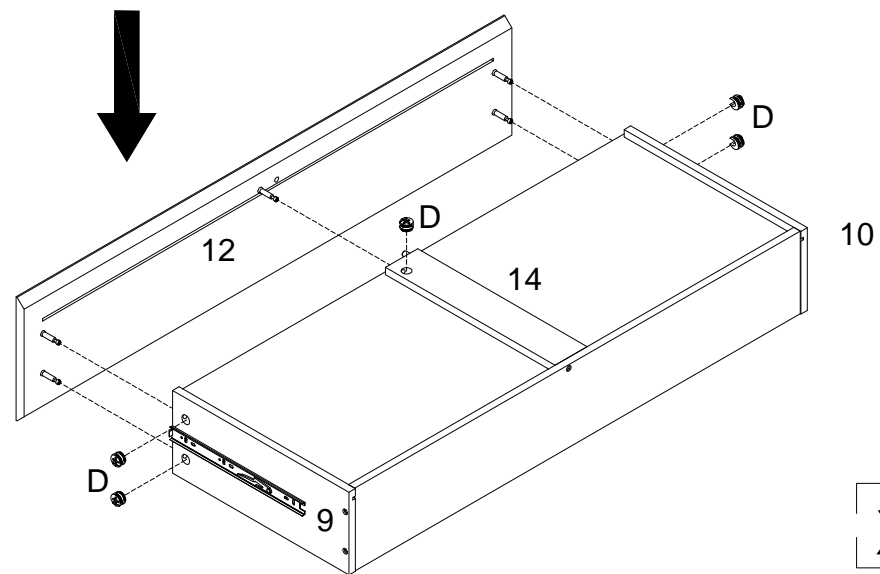
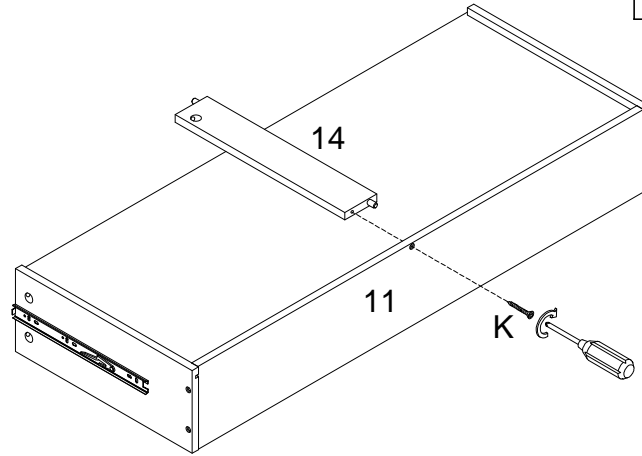
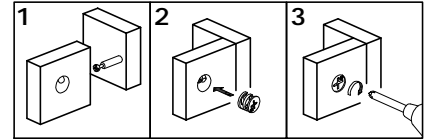
Insert wooden dowel (T) into part (14), and then secure cam bolt (B) into part (12) with Philips head screwdriver, and using screw (L) attach drawer dowel (U) to parts (9,10) with Philips head screwdriver as per diagram as per diagram.

Step 16



Using screw (K) secure parts (9,10) to part (11) with Philips head screwdriver, and then put part (13) as per diagram.

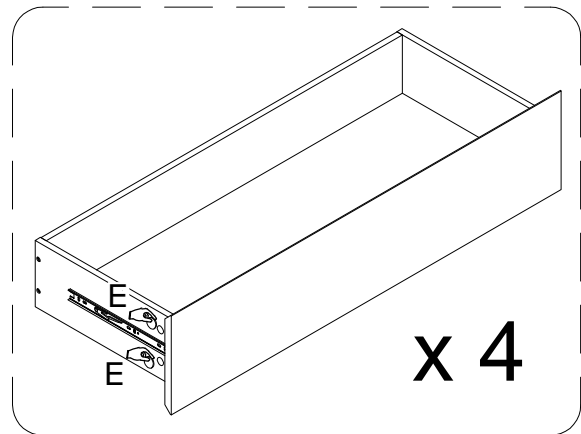
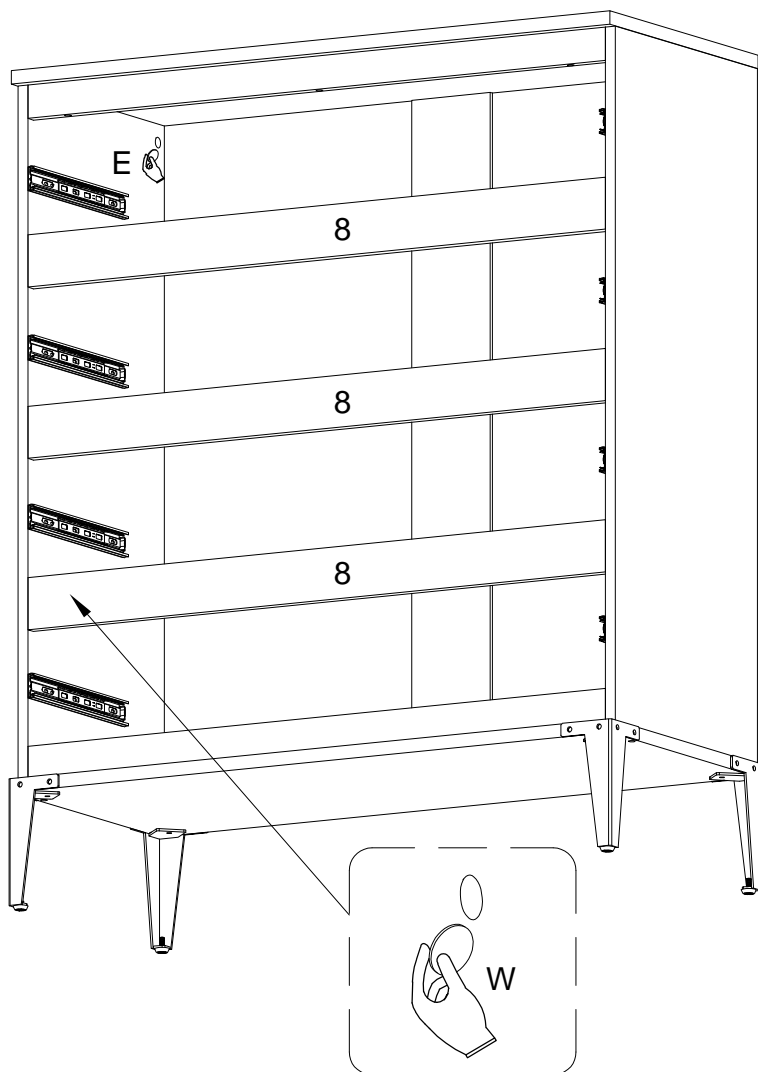
Step 17



x 4

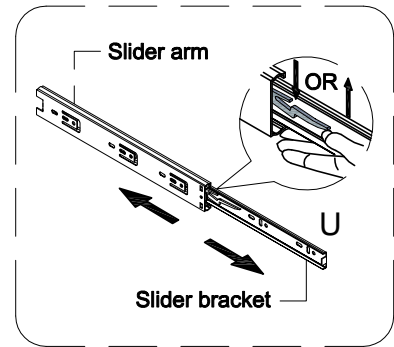
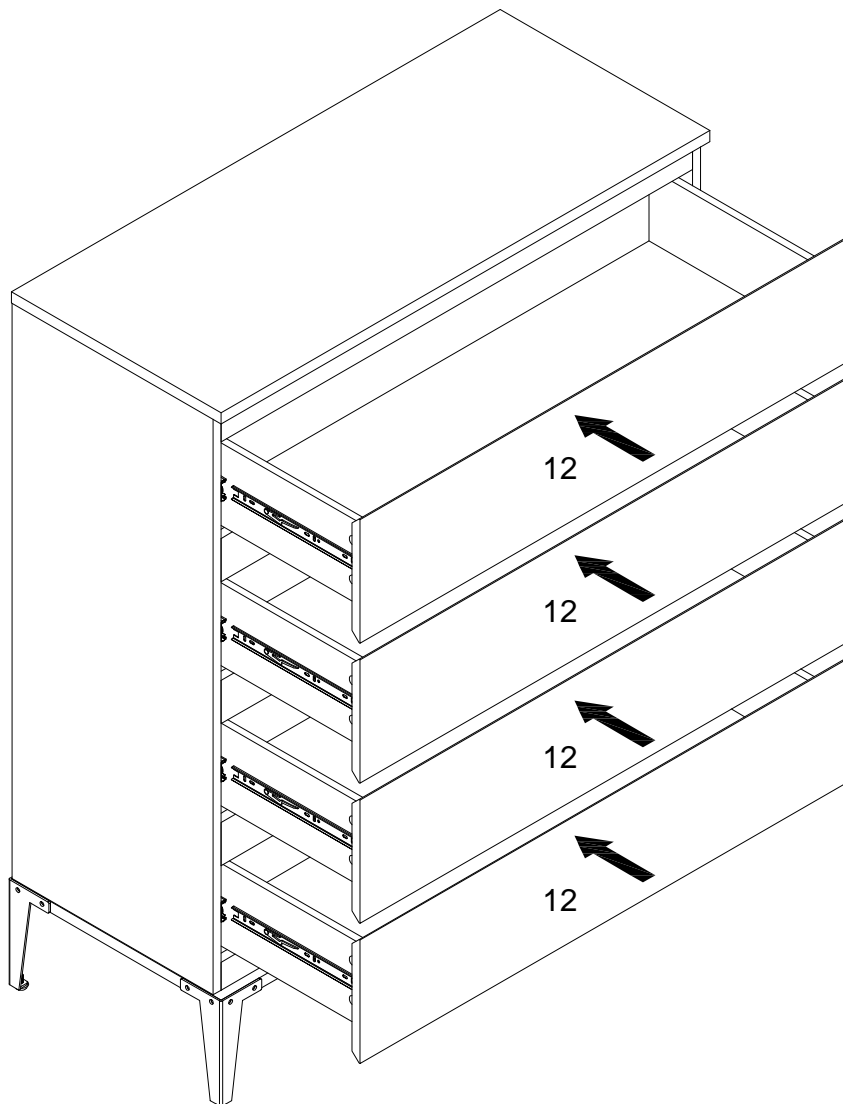
Using screw (K) secure part (14) to part (11), and using cam lock (D) secure part (12) into parts (9,10,14) with Philips head screwdriver as per diagram.

Step 18



Place sticker (W) cover the holes at the back of part (8) , then place sticker (E) cover the rest holes as per diagram.

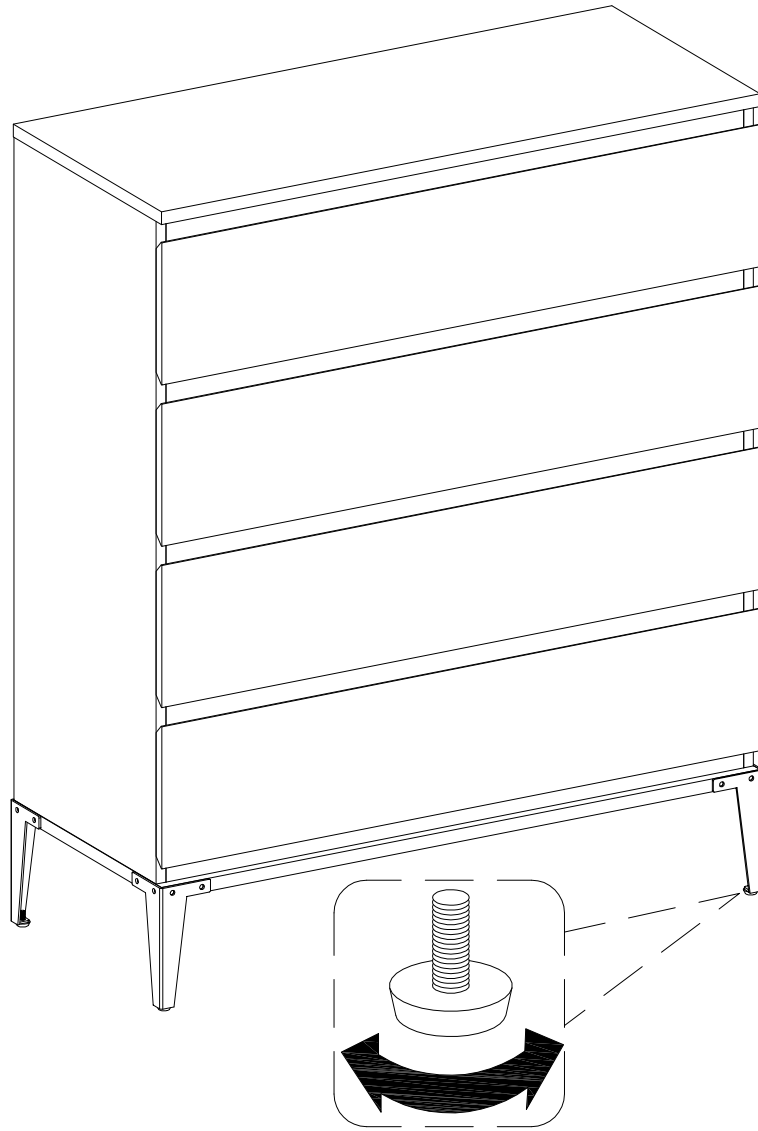
Step 19



Insert the assembled drawers into the unit frame, extend the ball bearing slide tracks (U) on the pedestal side panel all the way forward. Then align the slider runners on the assembled drawers with the slide tracks and push the drawer carefully inside until it stops.

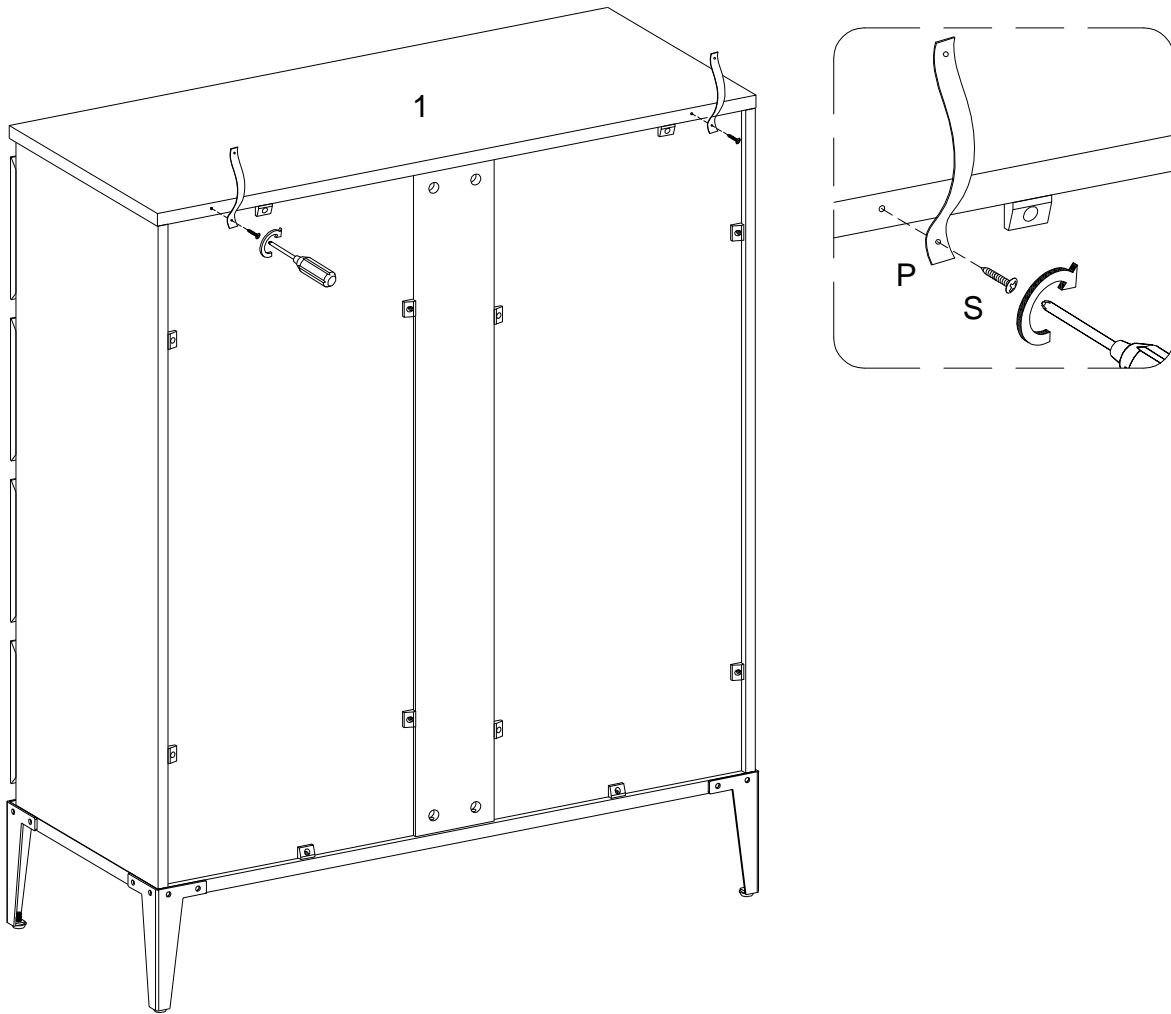
Note: if the drawer does not go in smoothly, please take it out and repeat the step. If you need to remove the drawer, please pull the drawer all the way out, press or lift the plastic release lever and pull out the drawer and the re-assembled the drawer unit it was going in smoothly.

Step 20



Position the assembled unit at the desired location, if necessary adjust the floor leveler at the bottom of the leg to level the unit.

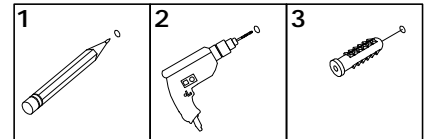
Step 21



Using screw (S) attach Velcro strap (P) into part (1) with Philips head screwdriver as per diagram.

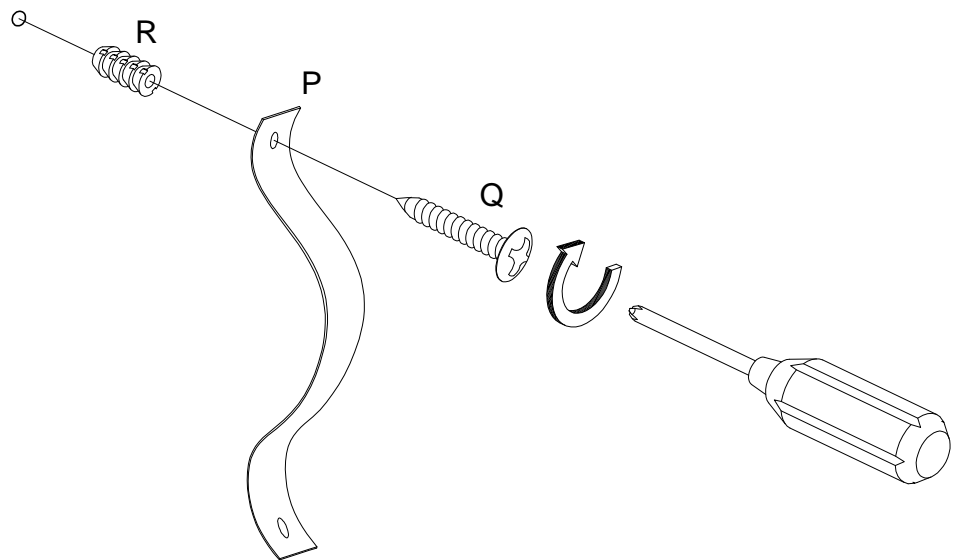
Step 22

WARNING



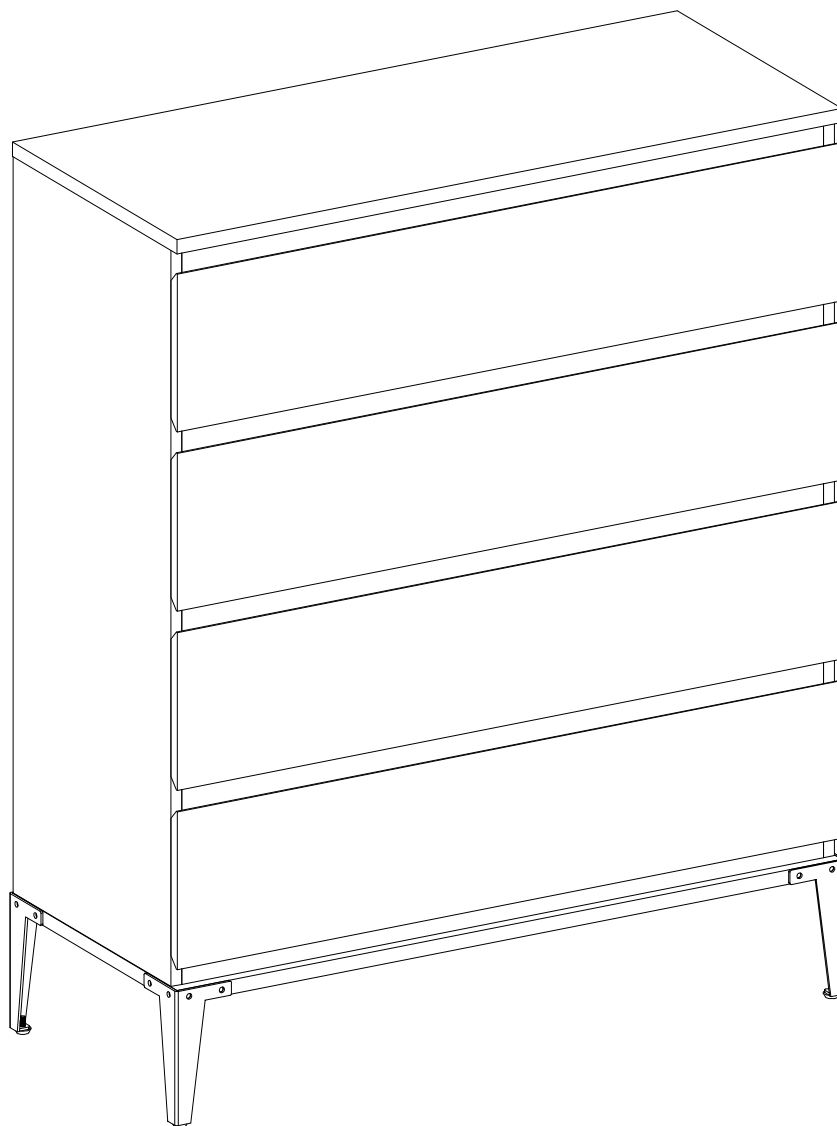
Serious or fatal injuries can occur from furniture tipping over. To prevent the furniture from tipping over we recommend that it is permanently fixed to the wall. Wall anchor and hardware are included with this product. Please make sure hardware is suitable for your walls before installing, as different wall materials may require different types of anchors.

Wall



Using screw (Q) attach Velcro strap (P) into Nut (R) to wall with Philips head screwdriver as per diagram.

Step 23



Final Assembly