

USER MANUAL

Congratulations!

You are now the proud owner of our product. We are proud of our designs and craftsmanship and know you will feel the same as you enjoy your new furniture's comfort and style.

Thank you for your purchase.

Before enjoying your sofa, please read the contents of this instruction manual and refer to it when needed.

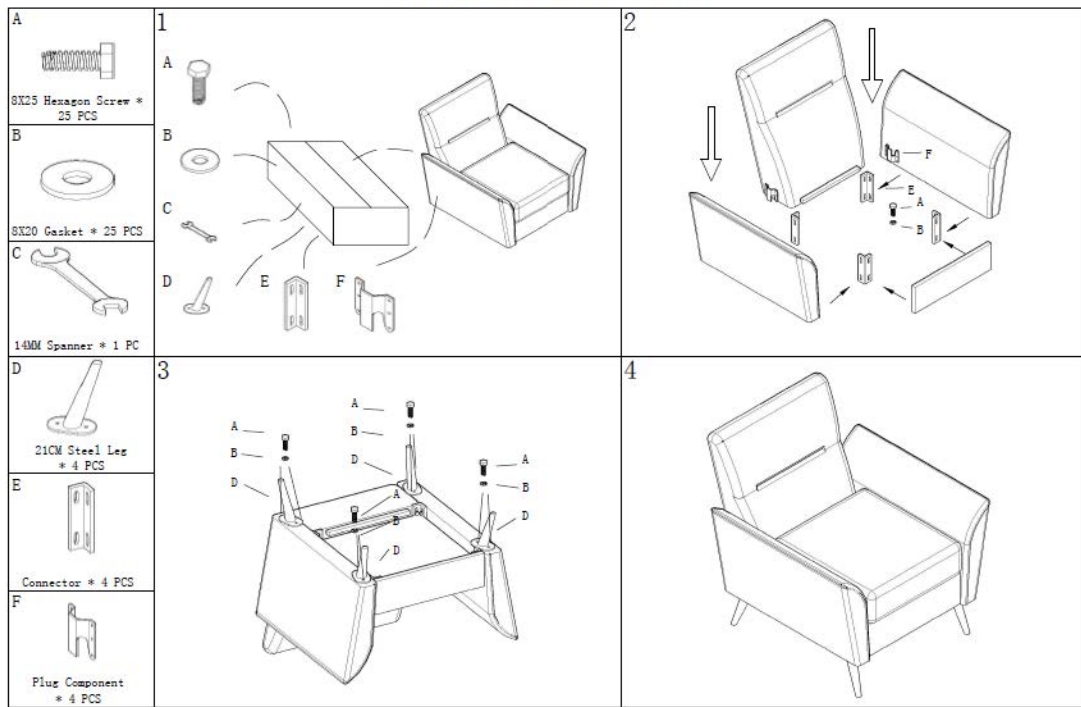
Table of Contents

01 Installation & Moving
02 Specifications
03 Product Maintenance
04 Warnings
05 Consumer Warranty

01 Installation

Note: Do not use sharp or pointed objects to remove furniture packaging, as such objects can damage the upholstery.

Installation Drawing



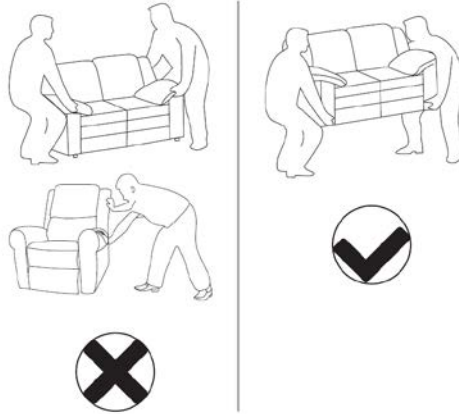
Moving

When moving your furniture, lift the base of the furniture and carry it to a specific location.

Note:

DO NOT lift furniture by the armrests.

DO NOT drag or push furniture on smooth or rough surfaces such as rugs or carpeting.



02 Specifications

Pls note that Specification and Size parameters can be found on the label attached to the bottom of the Sofa furniture.



ANTI-MITE



ANTI-STATIC



NON-TOXIC
MATERIAL



ELASTIC MEMORY
FOAM



BREATHABILITY

03 Product Maintenance

After you read the following instruction you will find it is not difficult to maintain your sofa:

1. Vacuum your sofa on a regular basis. Do it at least once a month for regular maintenance, and increase the frequency to once a week if you have small children or pets.

2. Blot spills immediately after they occur, if allowed to stand the liquid will eventually soak in and become difficult to remove.

3. Wipe any spots or stains with a slightly damp cloth that has been dipped in a mild soap solution, avoid using strong detergent such as washing powder, grease, diesel oil in case fading, discoloration and aging. Select suitable cleansing, firstly try it in a small and less attractive area, use after testing to assure the cleansing is no harm to your sofa.

Using a circular motion and blotting frequently, which will maintain your sofa at its best.

4. Whether use or not, keep fluffing the seat cushion and backrest every week, which can help to regulate the density of the filler and even reduce abrasion of the fabric and the joining.

Especially when sit in the same place regularly, please turn over the cushion regularly.

Filler of the cushion are made of fiber mixture, and the filler of the sofa backrest and couch pillow is easy to subside to the bottom, softly flapping and shaking can help pull the filler from one end to the other, making it evenly soft.

5. All the fabric sofa and the sofa cover, please result to professional dry clean only. Pls note that do not blanch and wash.

04 Warnings

1. Keep your furniture on the ventilative, dry areas and do not close to humid walls. Also keep your furniture away from heat sources and out of direct sunlight to avoid damage from heat. There will be a tendency to warp if exposed to heat sources.

2. Avoid sharp objects, keys, knives or animal paws. It will destroy the sofa. Please pay more attention.

3. Lightly move the sofa, avoid bumping, dragging.

4. Avoid jumping or violently shaking while sitting on the sofa.

5. Do not sit on the backrest or the armrest in case deformation.

6. Stay plane, this is an important way to avoid getting loose, if the floor is not smooth enough, fill it up with solid pad.

7. Avoid closing to other painted furniture and wall, keep it a distance of 2-3CM in case abrasion.



Do not bleach



Dry clean only



Do not wash



Moderate light iron



Do not tumble dry