

## Undercounter Lavatory

### FEATURES

- 21-5/8" x 14-5/8"
- Rear overflow
- CEFIONTECT® ceramic glaze minimizes waste from sticking to porous ceramic surfaces
- Mounting assembly complete with installation template and mounting screw set for wood countertops
- THU410 is required for marble/granite type counter top installation and must be purchased separately

### MODELS

- LT548G  
With CEFIONTECT glazing (#01, #03, #11, #12)
- LT548  
Without CEFIONTECT glazing (#51 only)

### COLORS/FINISHES

- #01 Cotton
- #03 Bone
- #11 Colonial White
- #12 Sedona Beige
- #51 Ebony (not available with CEFIONTECT)

### CODES/STANDARDS

- Meets and exceeds ASME A112.19.2/CSA B45.1
- Certifications: IAPMO(cUPC), State of Massachusetts, City of Los Angeles, and others
- Meets ADA guidelines and ANSI A117.1 requirements when countertop is installed 864mm (34") from finished floor and lavatory is installed 205mm (8-1/8") minimum from front edge.
- Complies with CA Prop 65 warning requirements



### PRODUCT SPECIFICATION

The undercounter lavatory shall be made of vitreous china. Lavatory shall be 21-5/8" in length and 14-5/8" in width. Product shall be with overflow and lavatory shall include mounting assembly. Lavatory model LT548G shall have CEFIONTECT ceramic glaze. Lavatory shall be TOTO Model LT548(G)\_\_\_\_\_.

# LT548(G)

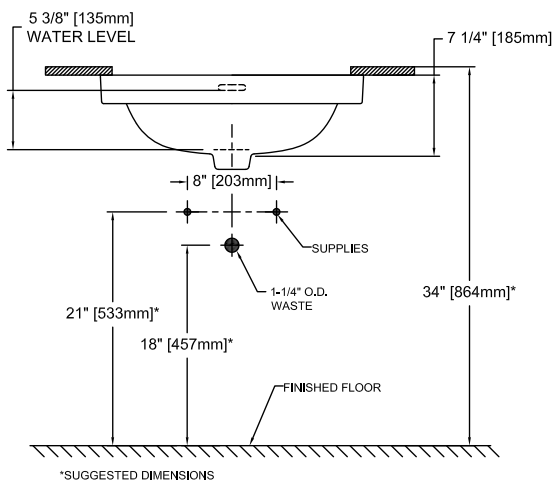
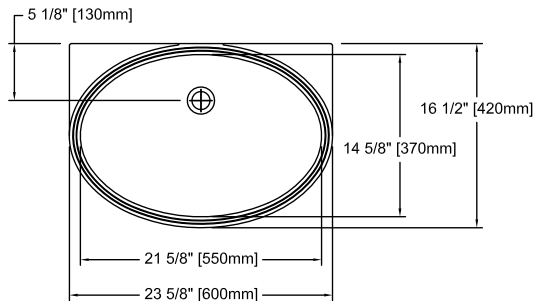
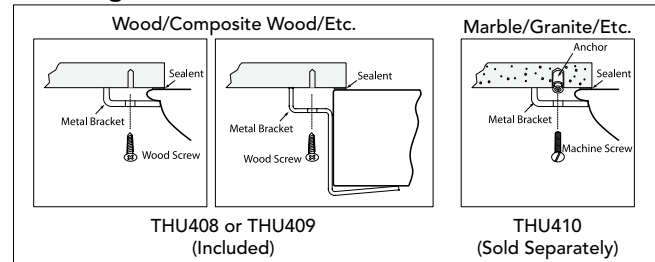
## Undercounter Lavatory

### SPECIFICATIONS

- Waste 1-1/4" O.D.
- Size 23-5/8"W x 16-1/2"D
- Basin 21-5/8"W x 14-5/8"D
- Warranty One Year Limited Warranty
- Material Vitreous china
- Shipping Weight 25.5 lbs.
- Shipping Dimensions 24-5/8"W x 17-3/8"L x 11"H

### INSTALLATION NOTES

#### Mounting Hardware



### ADA Compliance Check

