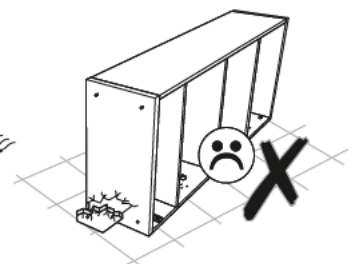
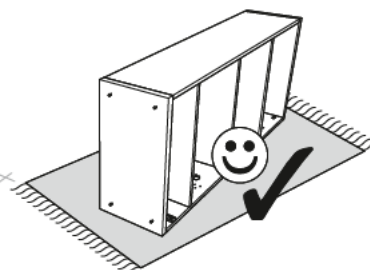
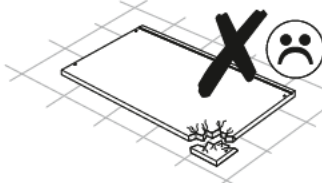
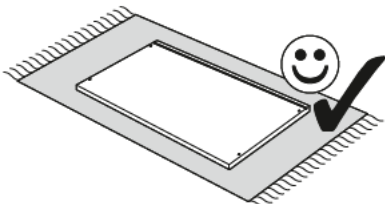
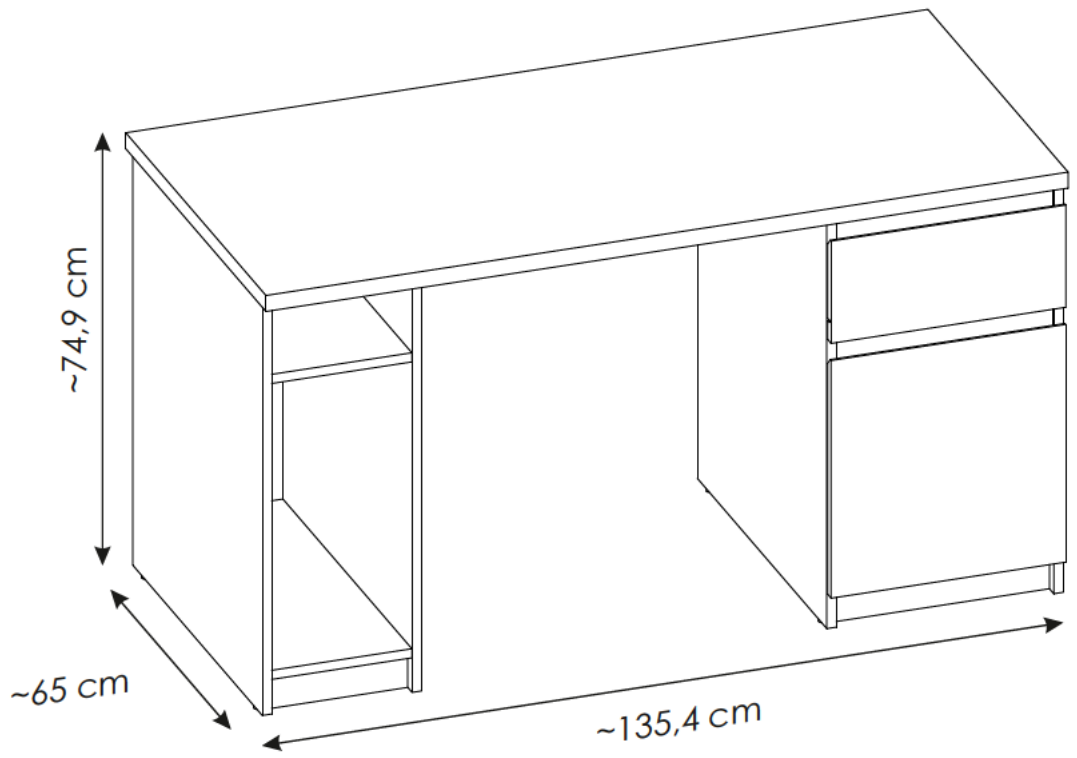
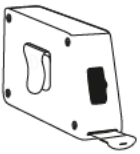
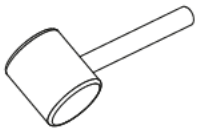
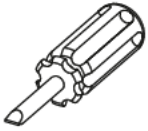
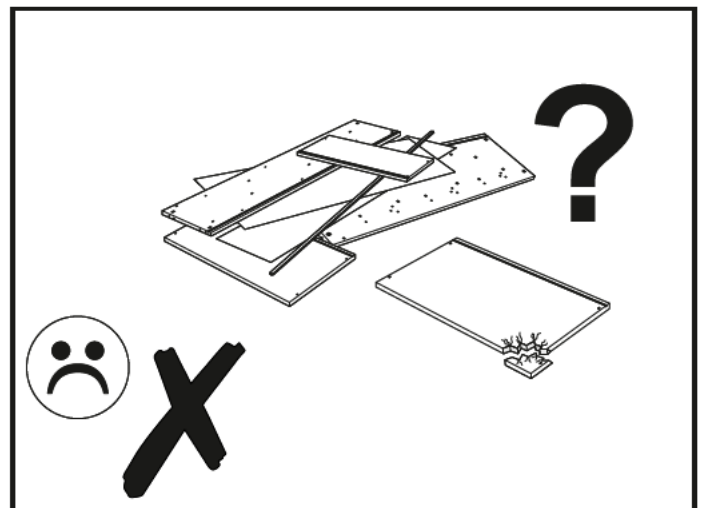
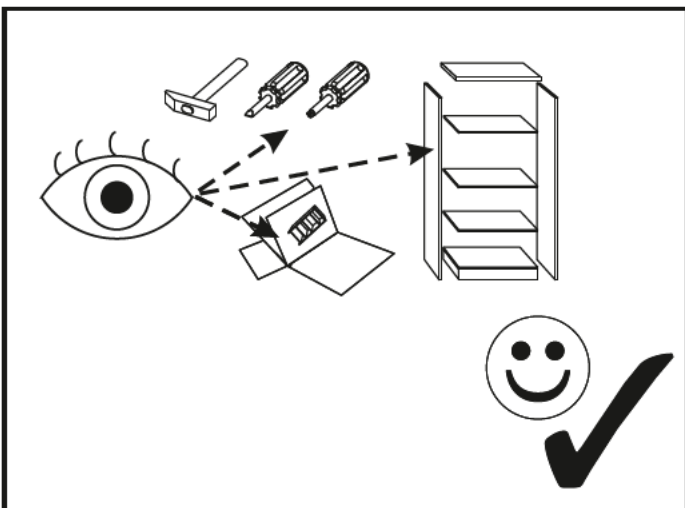
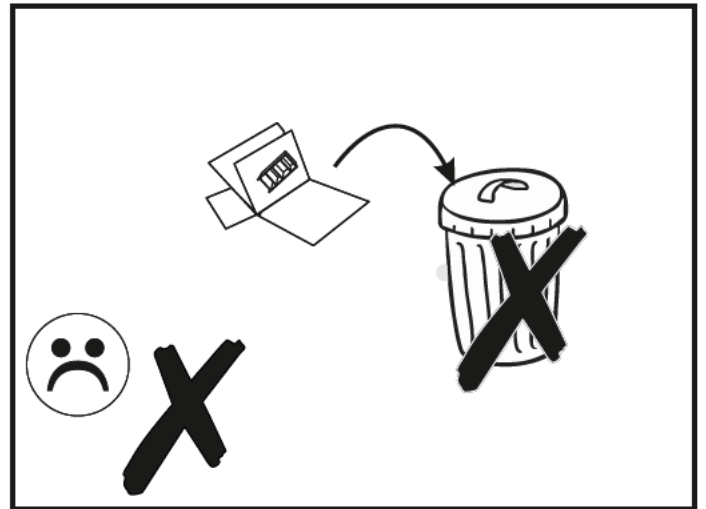
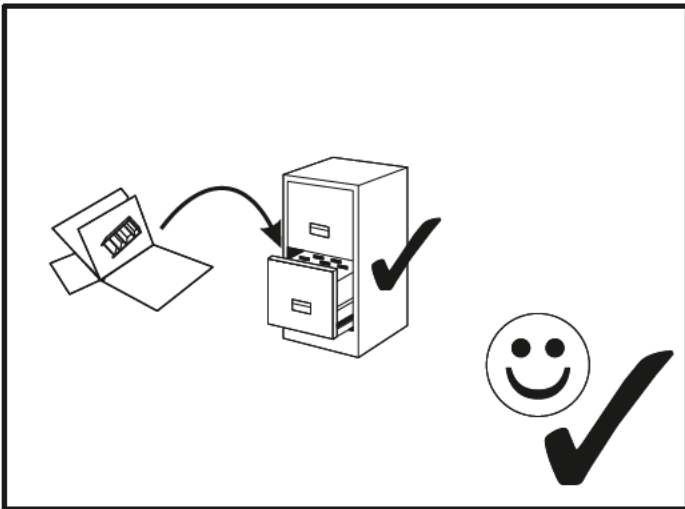
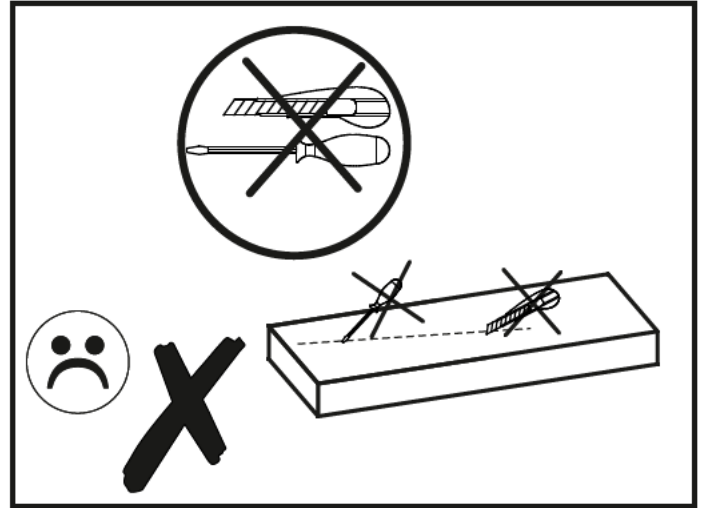
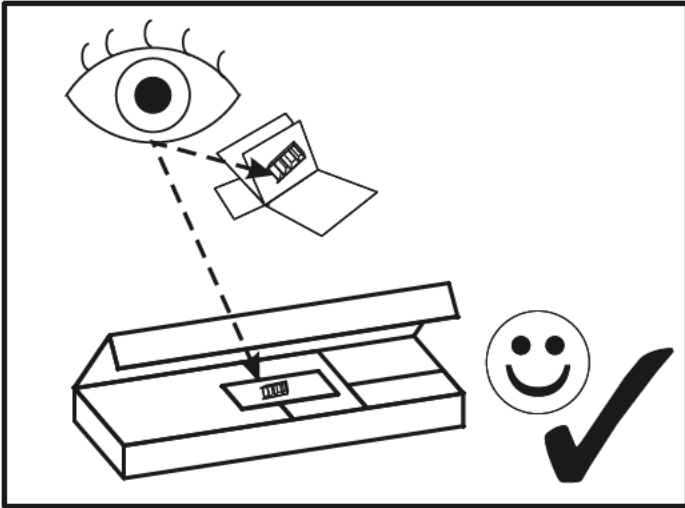




100 min

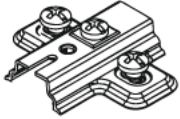




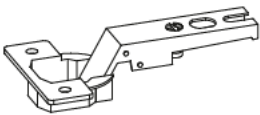


version A

Bx

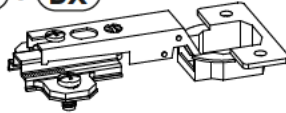


Bx

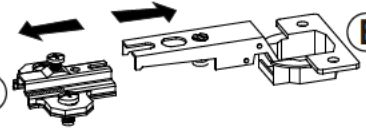


version B

Bx + Bx



Bx



Bx

MM

260

250

240

230

220

210

200

190

180

170

160

150

140

130

120

110

100

90

80

70

60

50


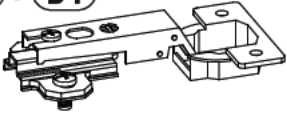






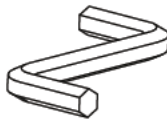
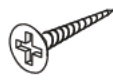



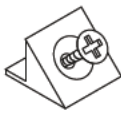


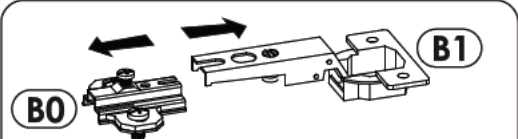
40

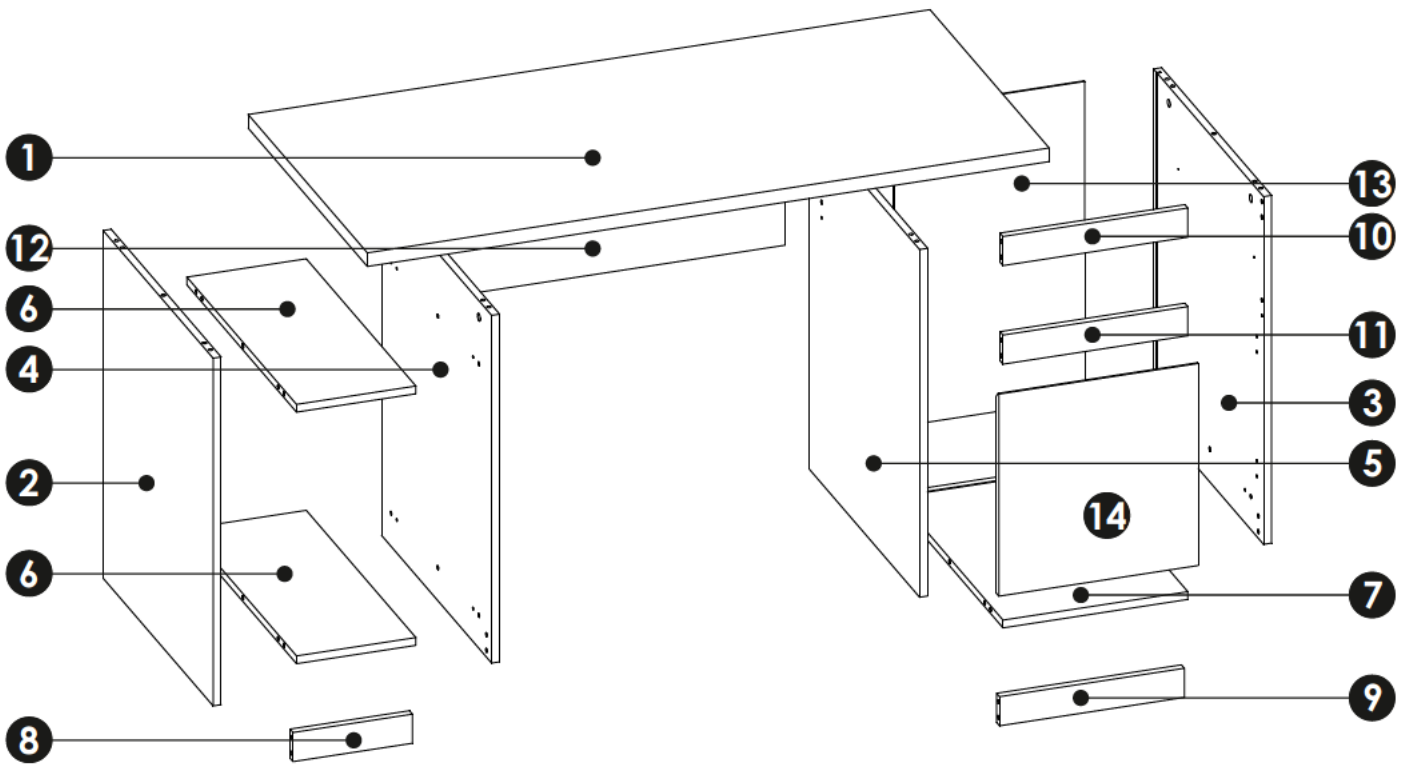
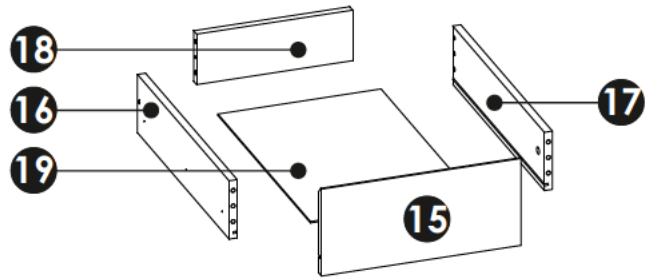
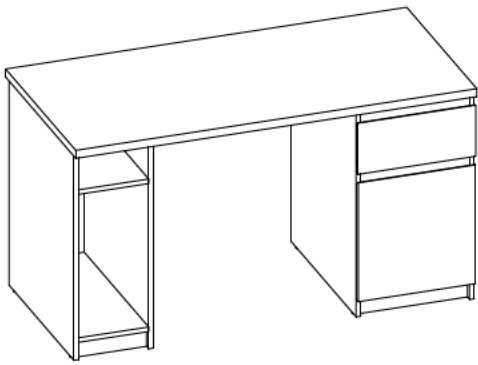
30

20

10

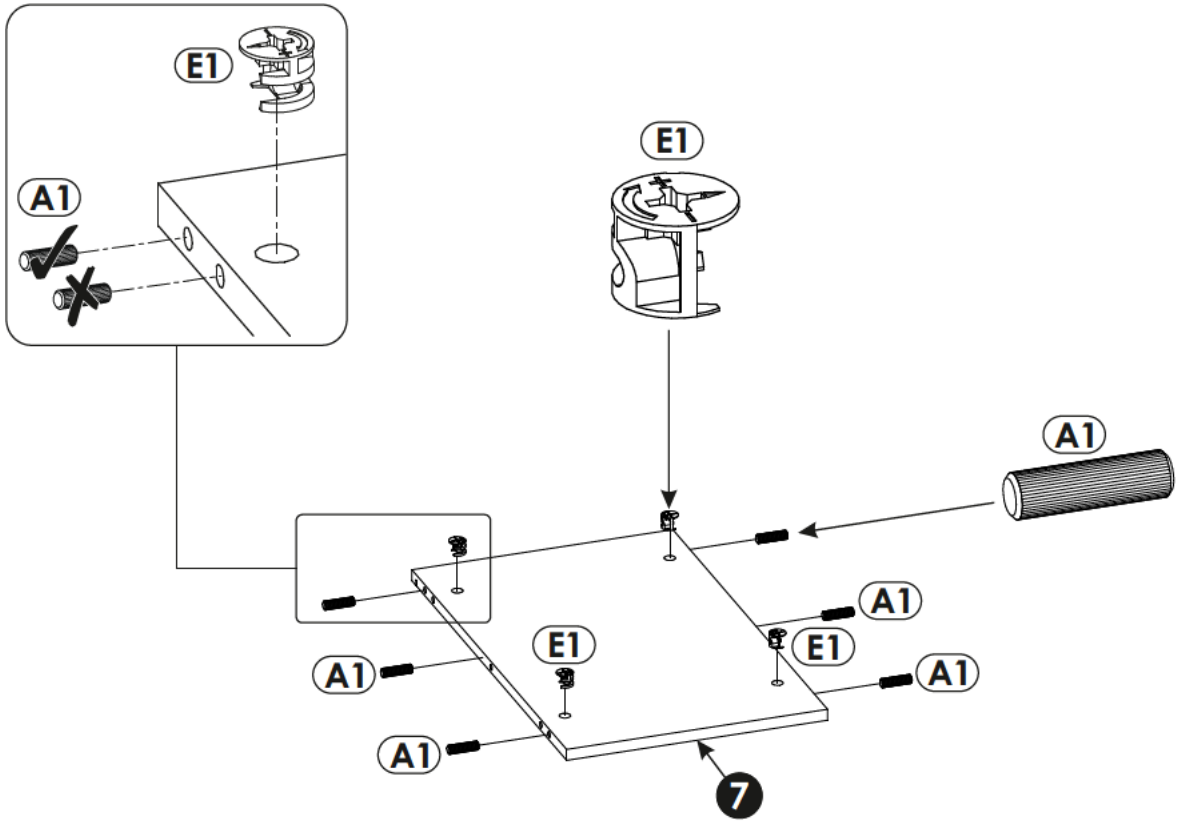
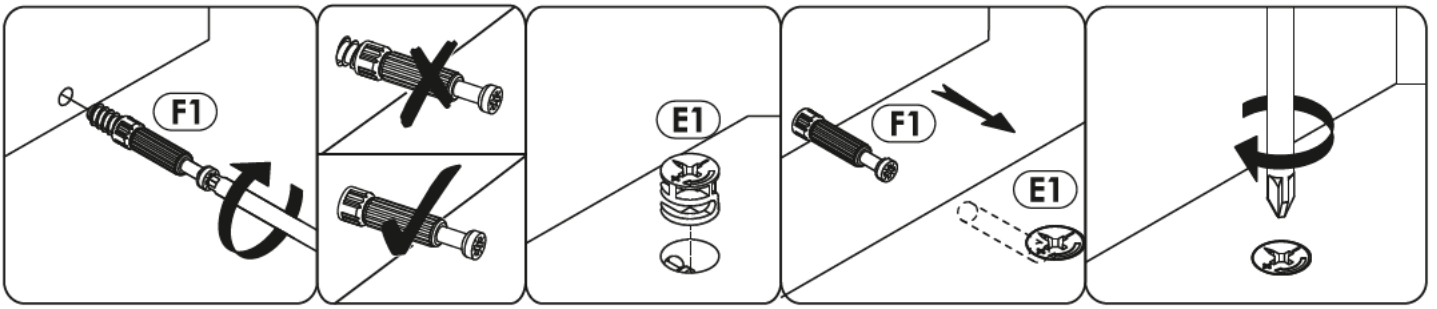
0

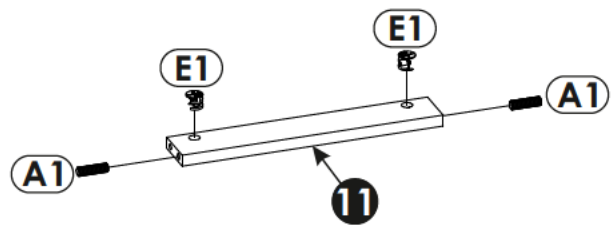
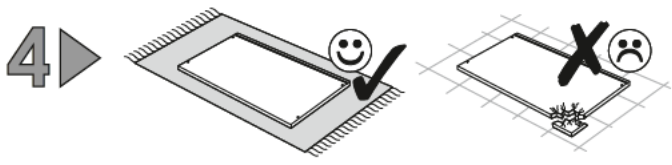
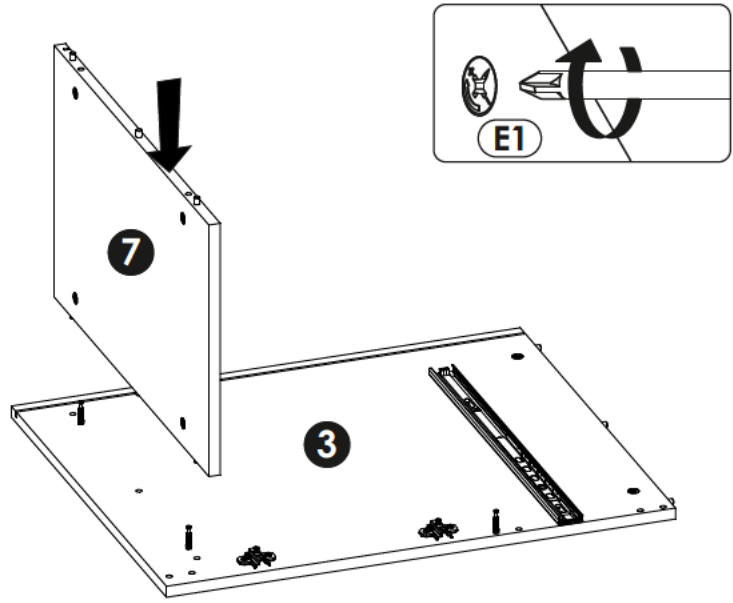
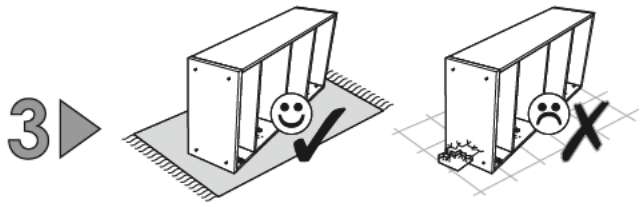
<p>A1 8 x 35 mm x56</p> 	<p>B0 + B1 x2</p> 	<p>C1 4 x 13 mm x4</p> 
<p>C2 5 x 13 mm x4</p> 	<p>E0 Ø16 x14</p> 	<p>E1 15 x 12 mm x28</p> 
<p>F1 6 x 34 mm x28</p> 	<p>G1 7 x 50 mm x2</p> 	<p>M x1</p> 
<p>N1 3 X 16 mm x5</p> 	<p>N2 3,5 X 16 mm x6</p> 	<p>O2 x8</p> 
<p>PW x2</p> 	<p>R4 x7</p> 	<p>R8 x4</p> 
<p>Z x1</p> 	<p>B0 B1</p> 	

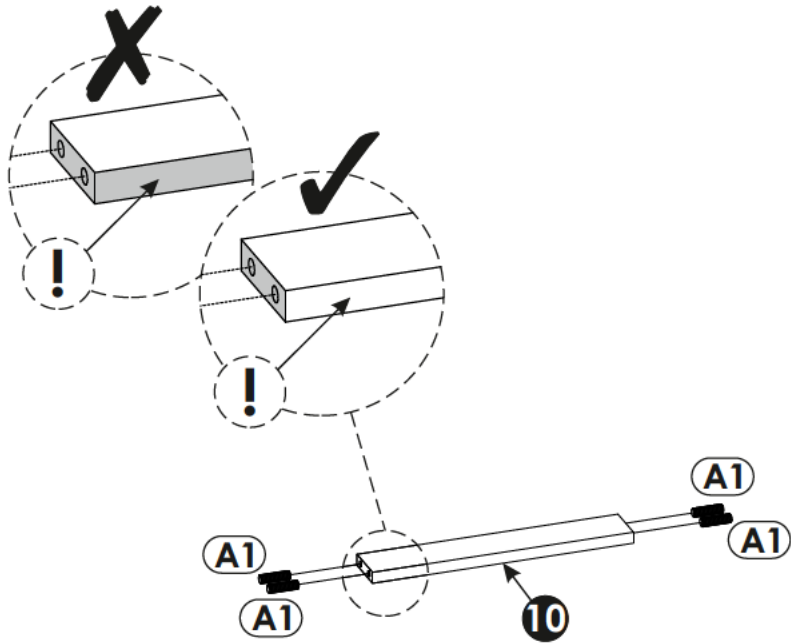
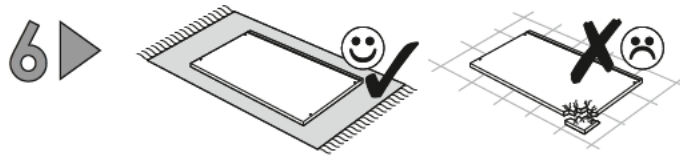
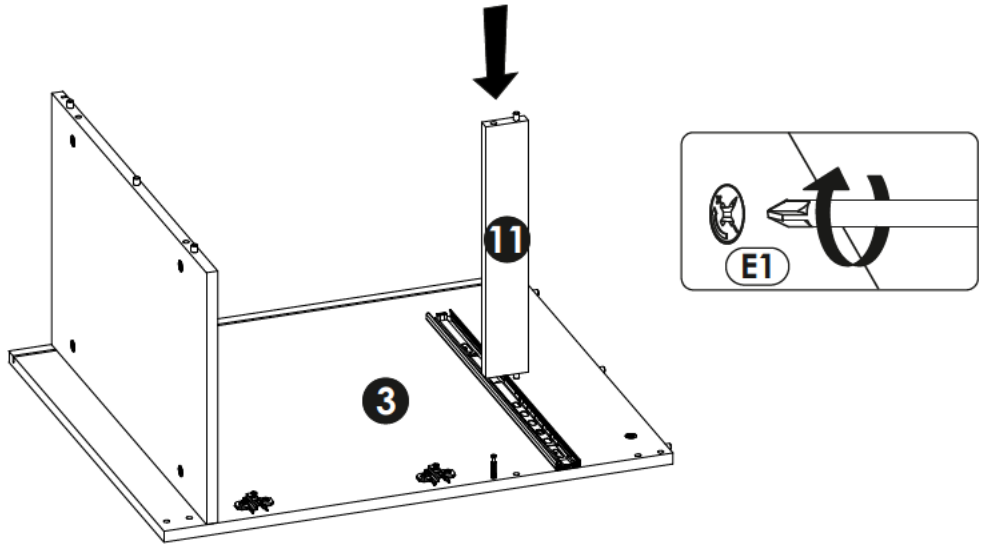
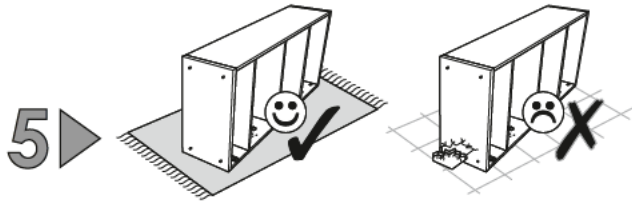


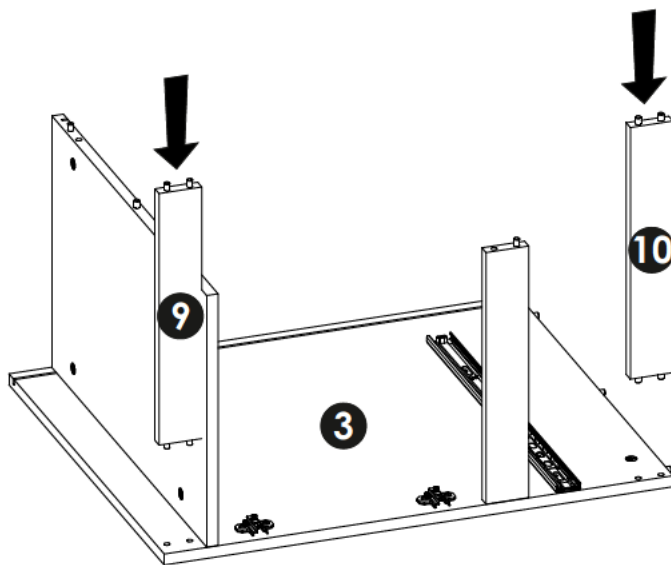
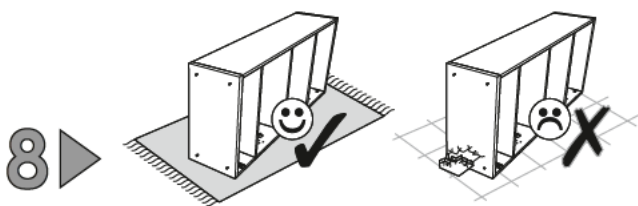
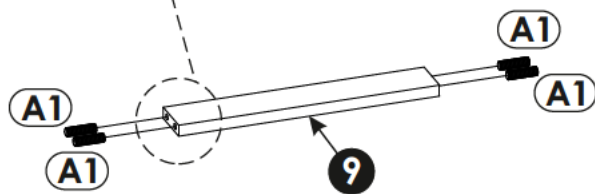
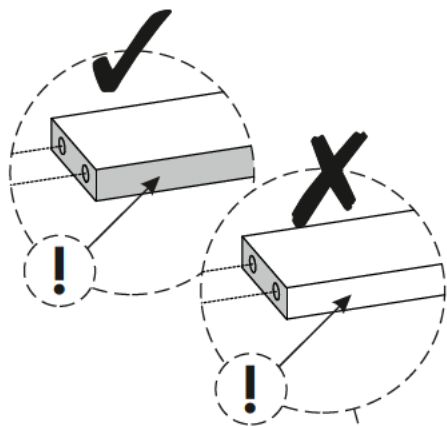
1	1354	650	28	x1	2/2
2	716	600	16	x1	1/2
3	716	600	16	x1	1/2
4	716	600	16	x1	2/2
5	716	600	16	x1	2/2
6	237	598	16	x2	1/2
7	367	598	16	x1	1/2
8	237	60	16	x1	1/2
9	367	60	16	x1	1/2

10	367	60	16	x1	1/2
11	367	60	16	x1	1/2
12	684	210	16	x1	1/2
13	652	379	3	x1	1/2
14	416	396	16	x1	1/2
15	396	179	16	x1	1/2
16	500	120	16	x1	1/2
17	500	120	16	x1	1/2
18	310	104	16	x1	1/2
19	324	505	3	x1	1/2

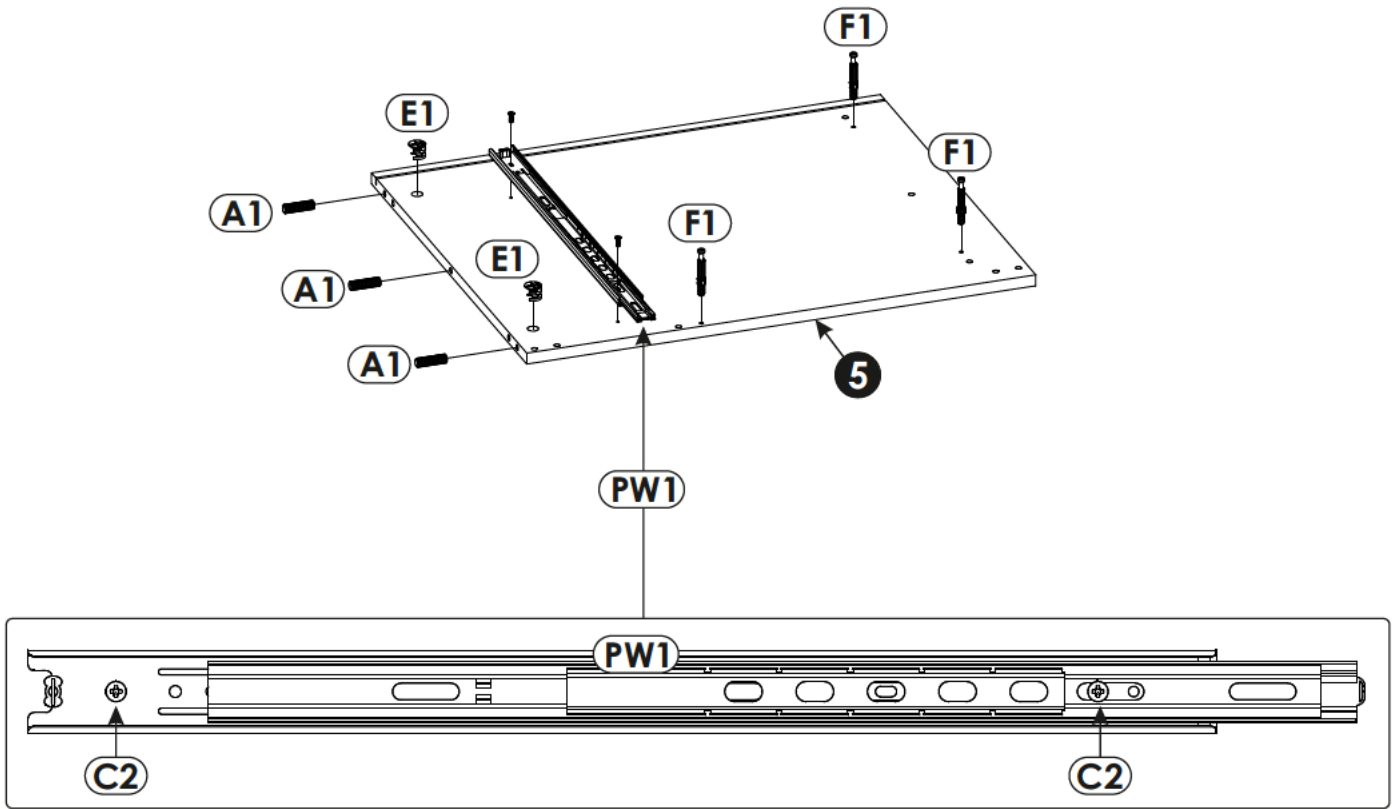
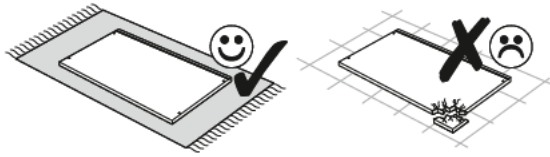




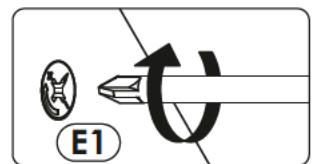
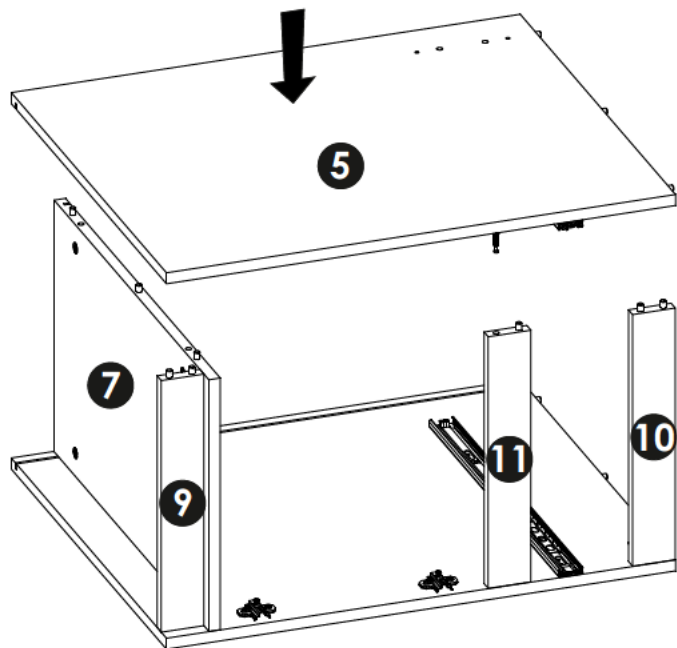
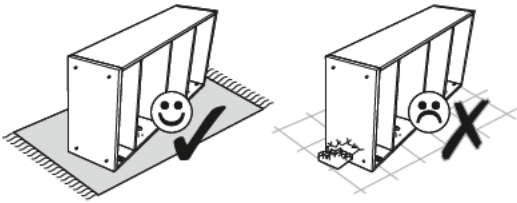




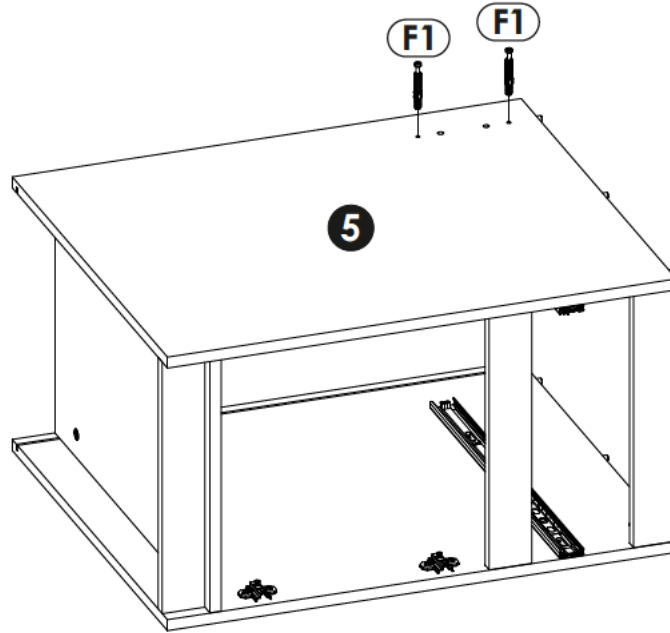
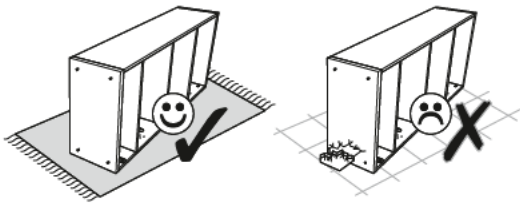
9 ▶



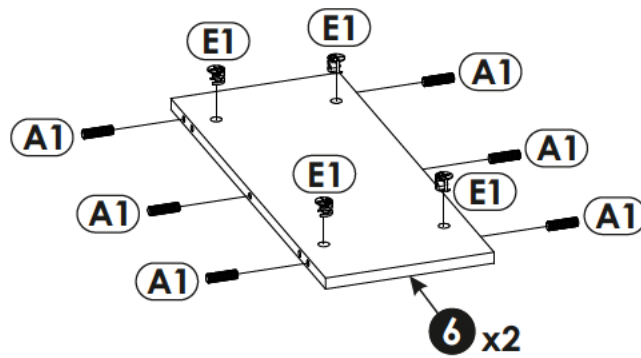
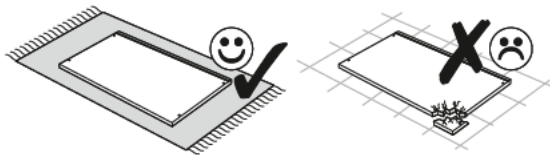
10 ▶



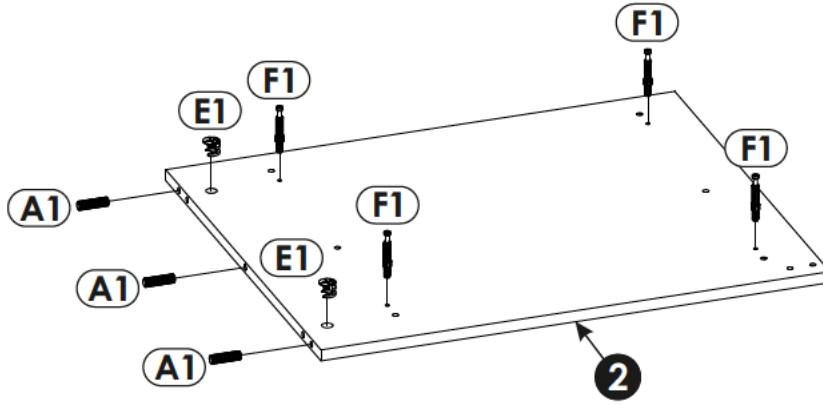
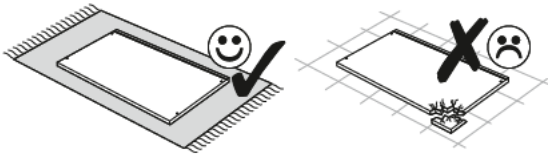
11 ▶



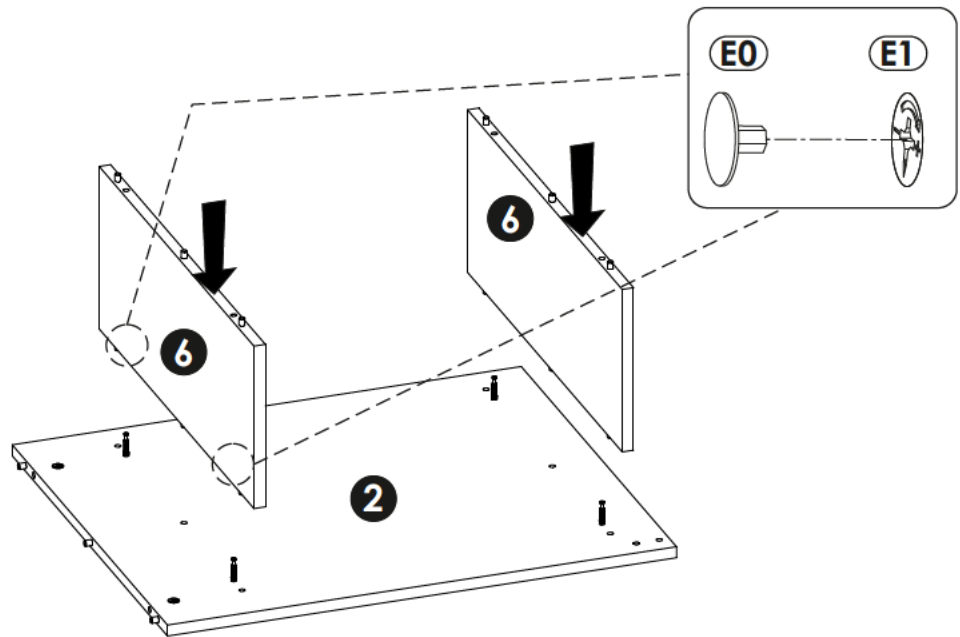
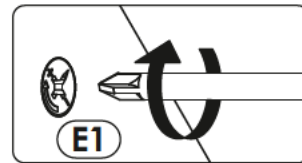
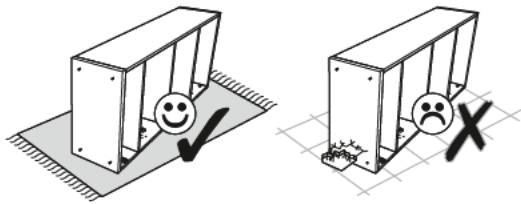
12 ▶



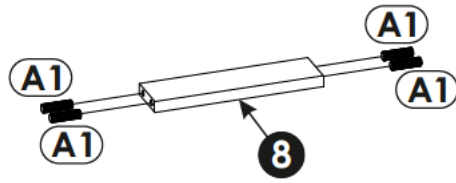
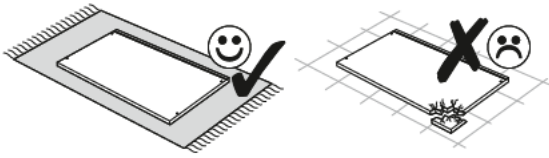
13▶



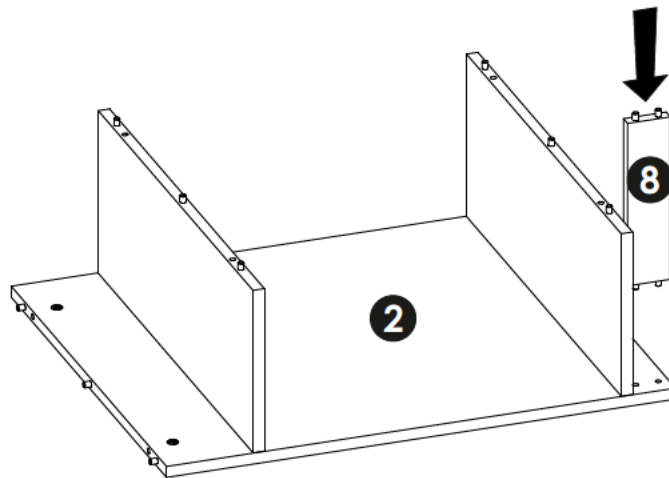
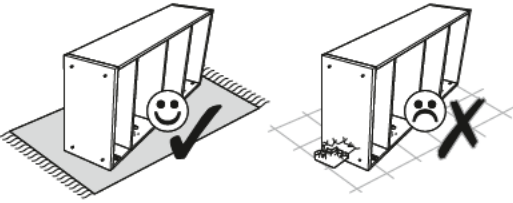
14▶



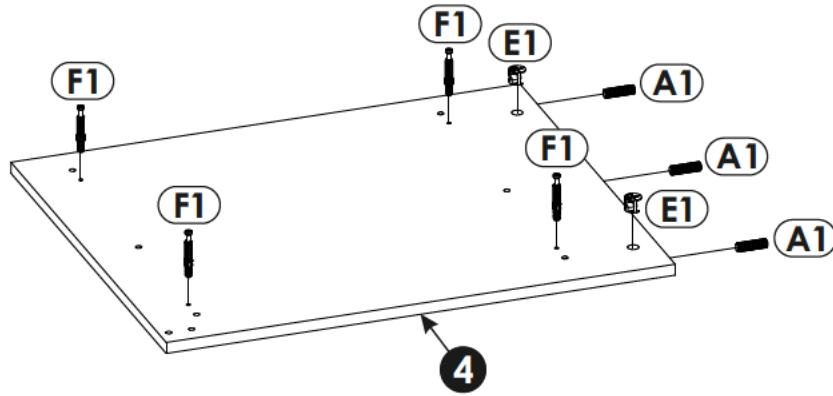
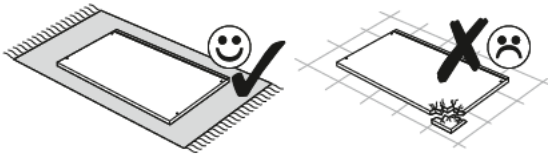
15▶



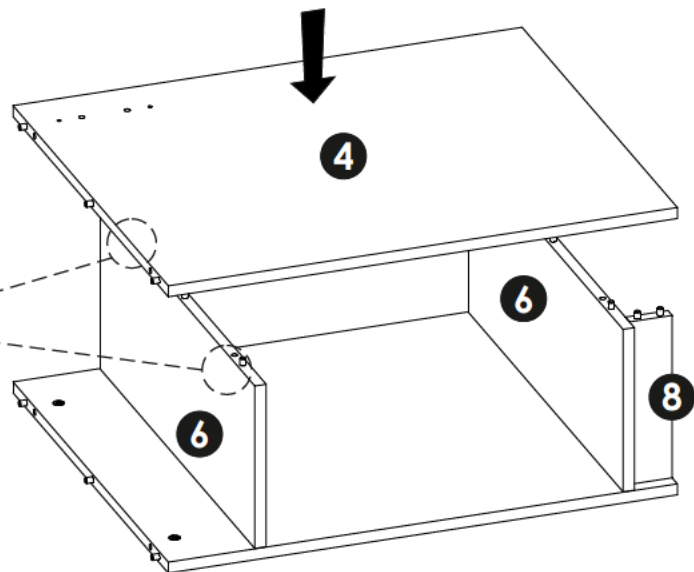
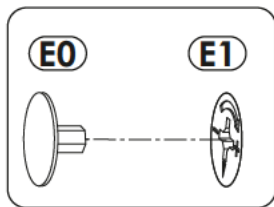
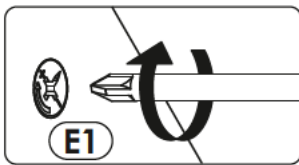
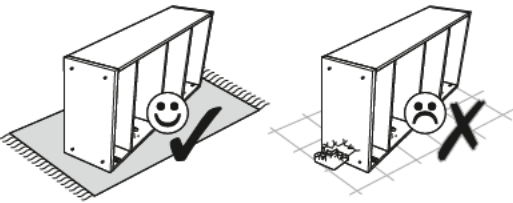
16▶



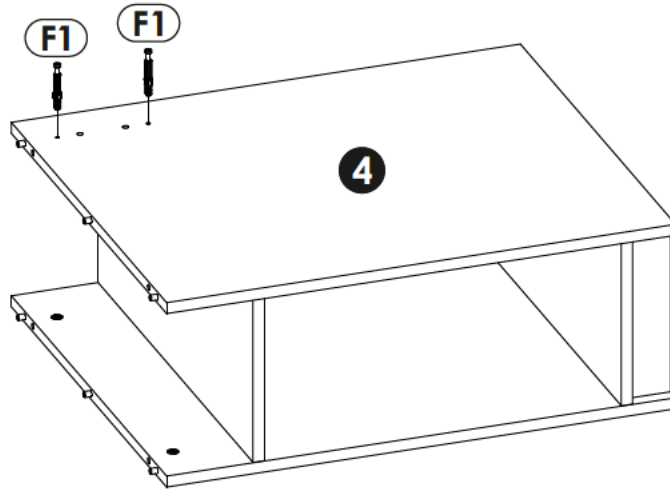
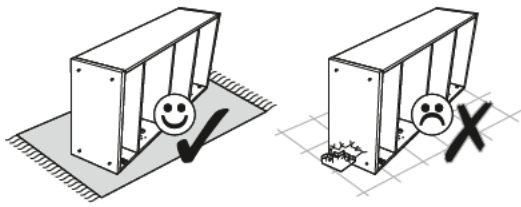
17▶



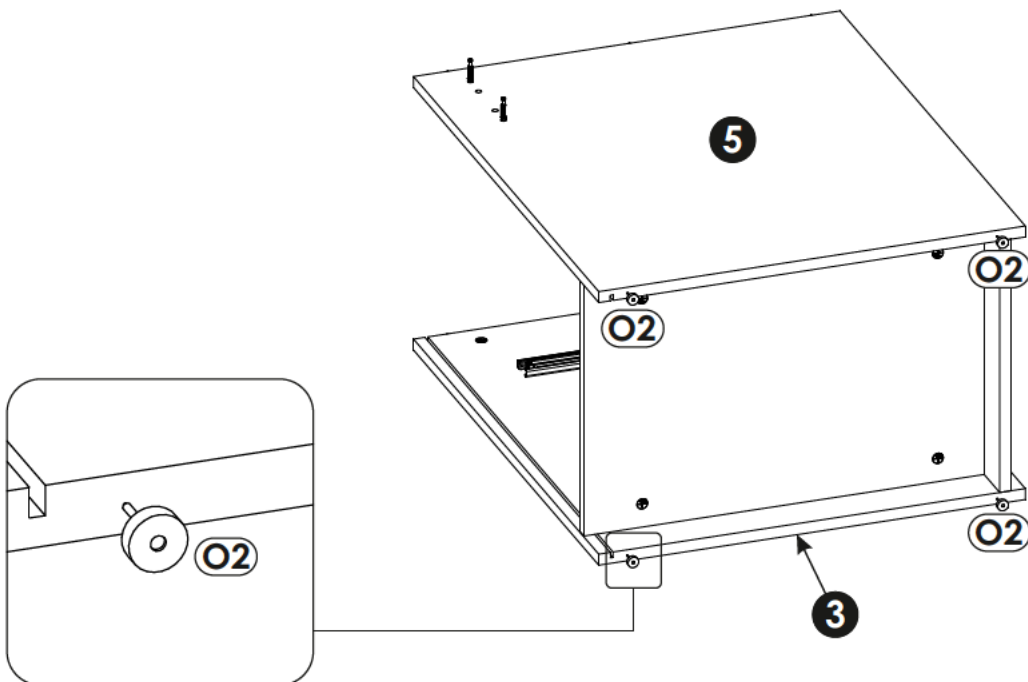
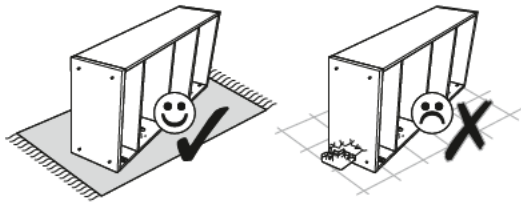
18▶



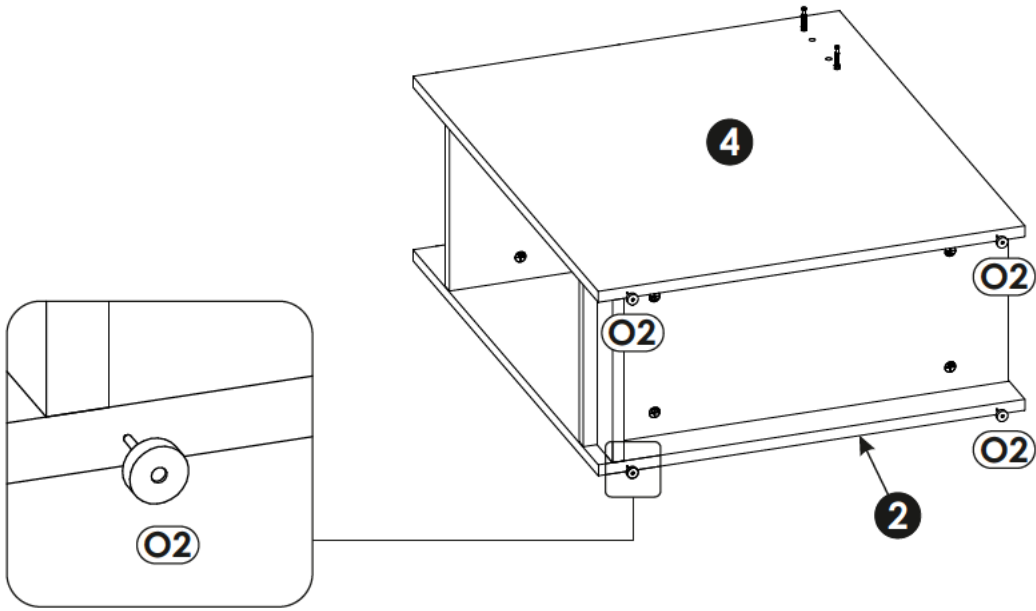
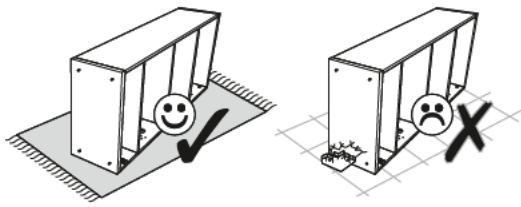
19 ▶



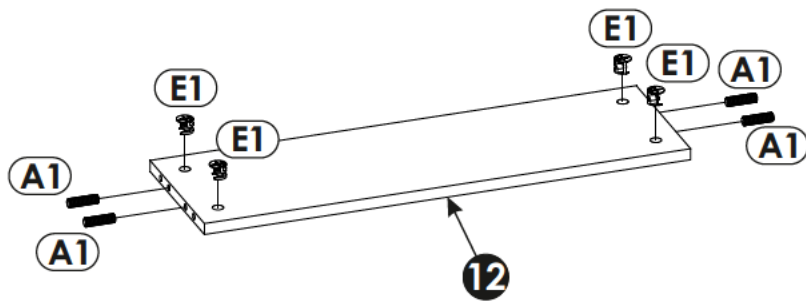
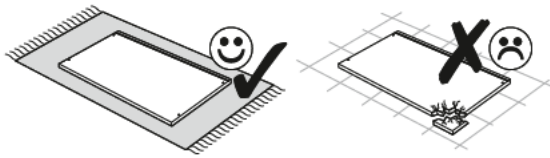
20 ▶



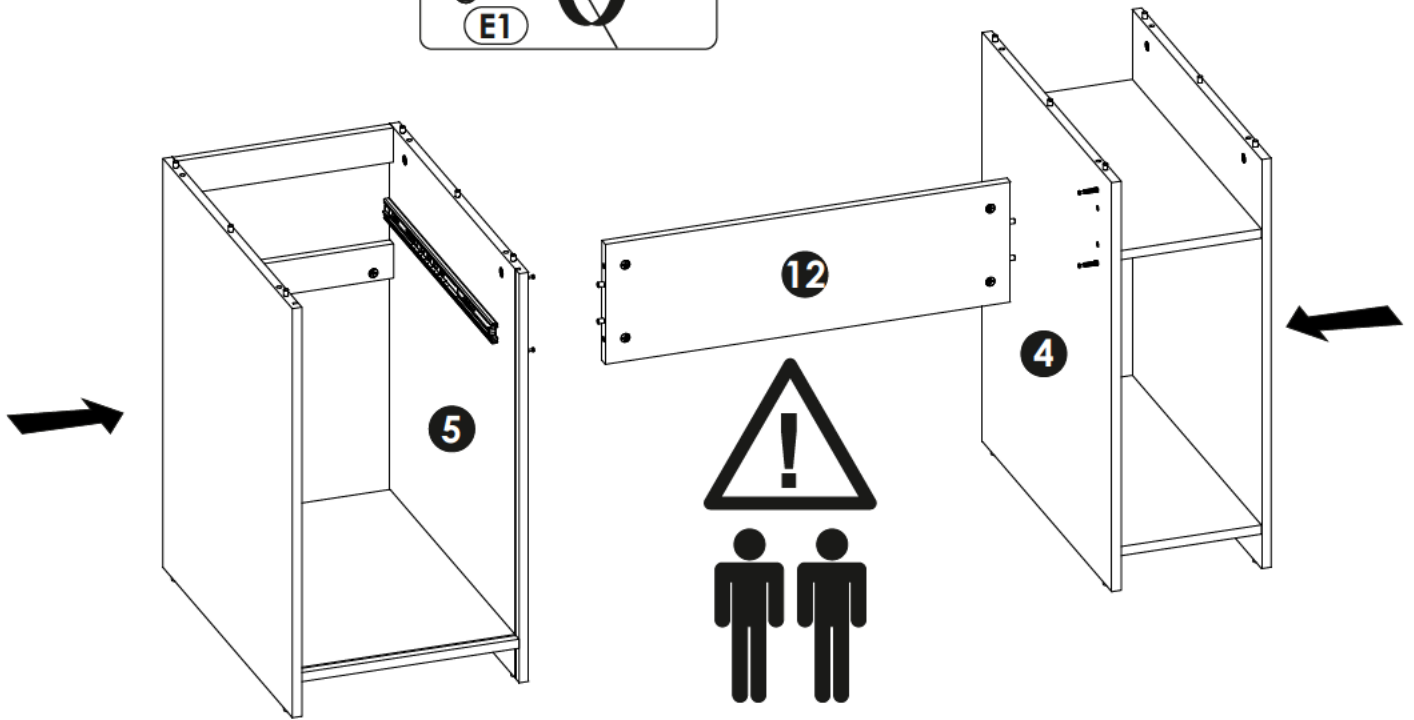
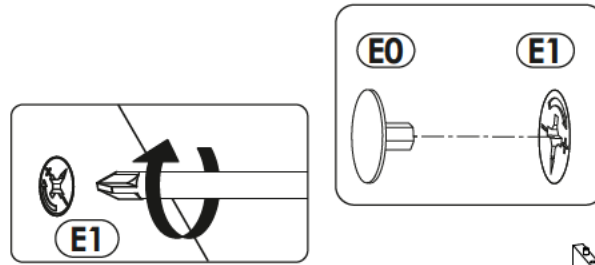
21 ▶



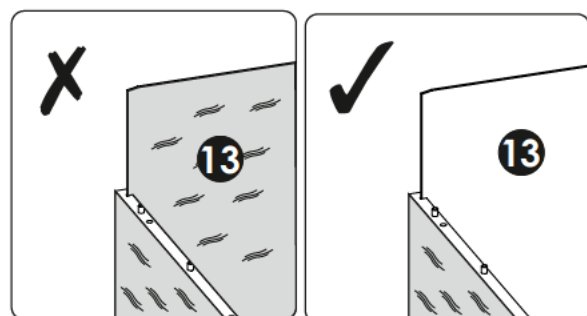
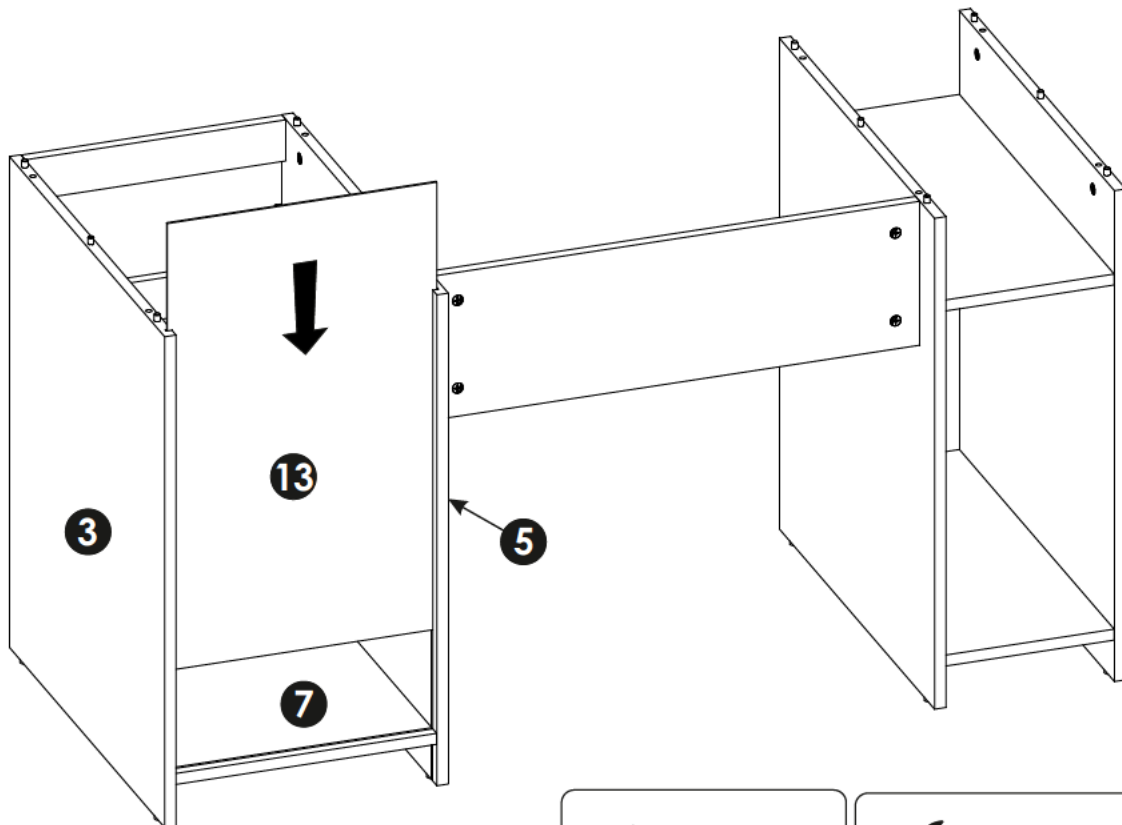
22 ▶



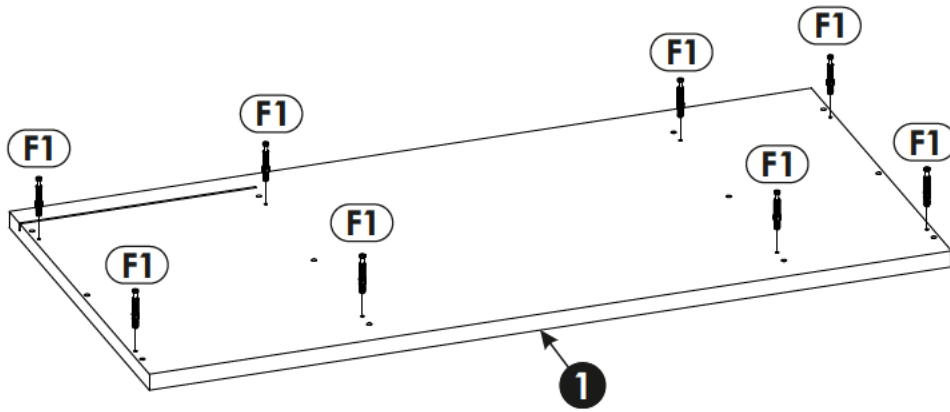
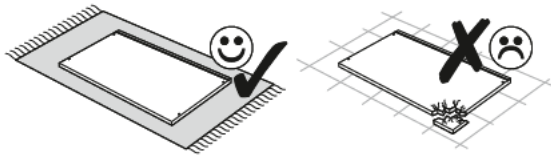
23 ▶



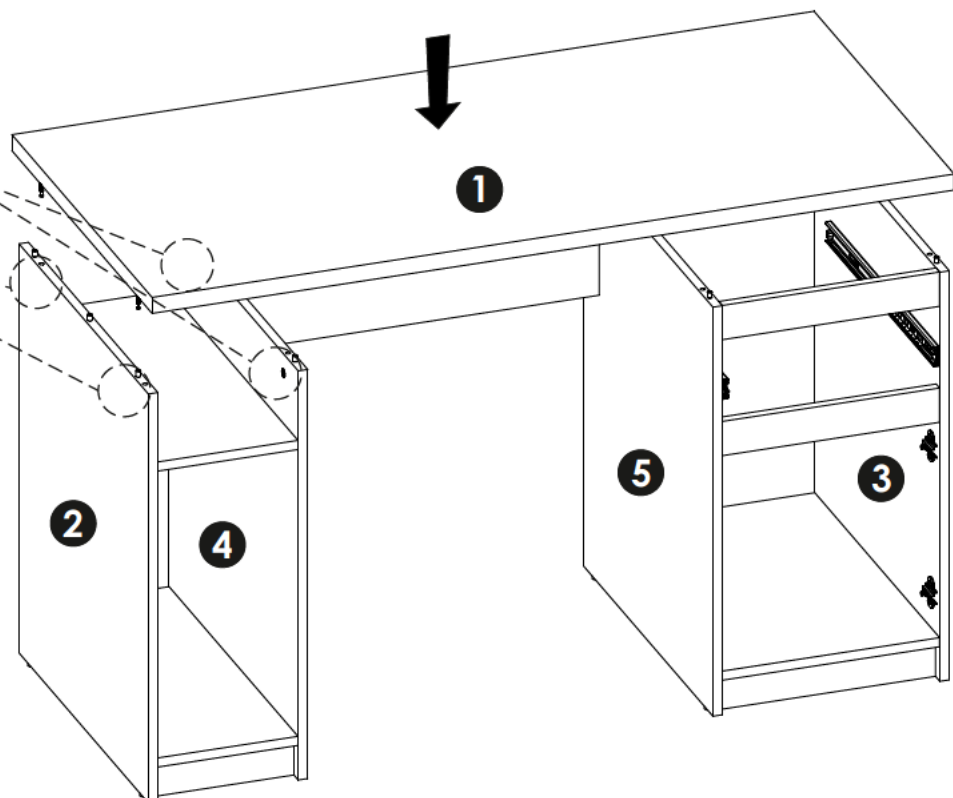
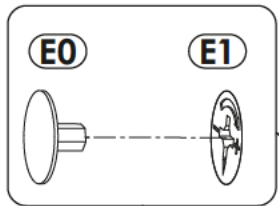
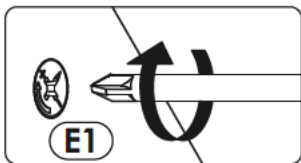
24 ▶



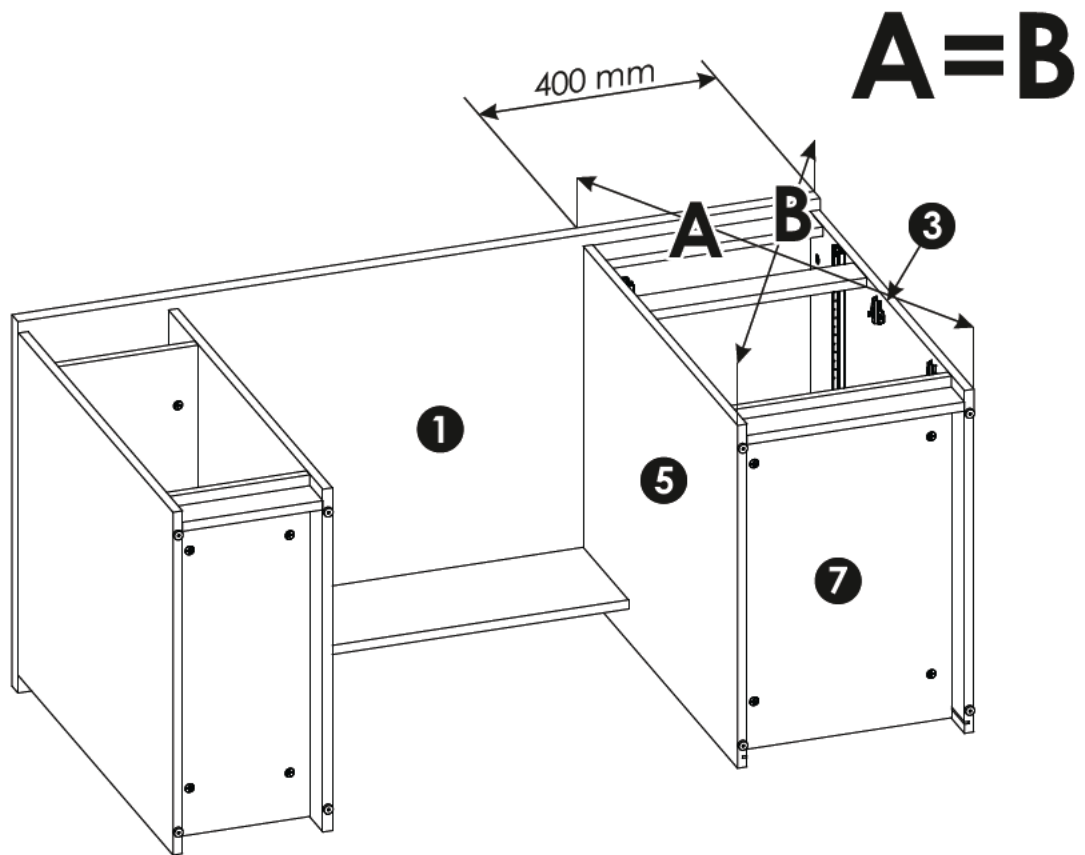
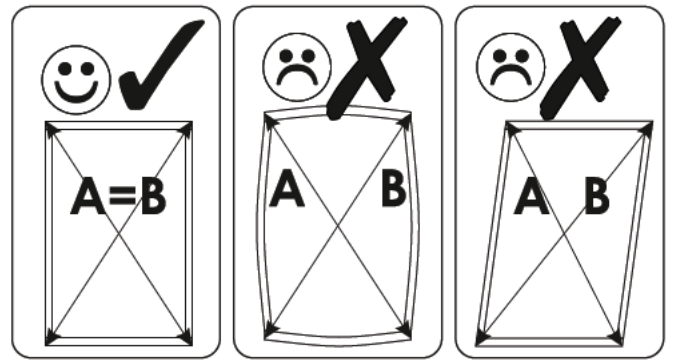
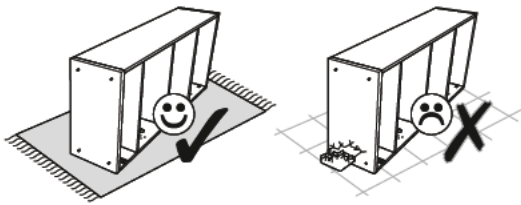
25 ▶



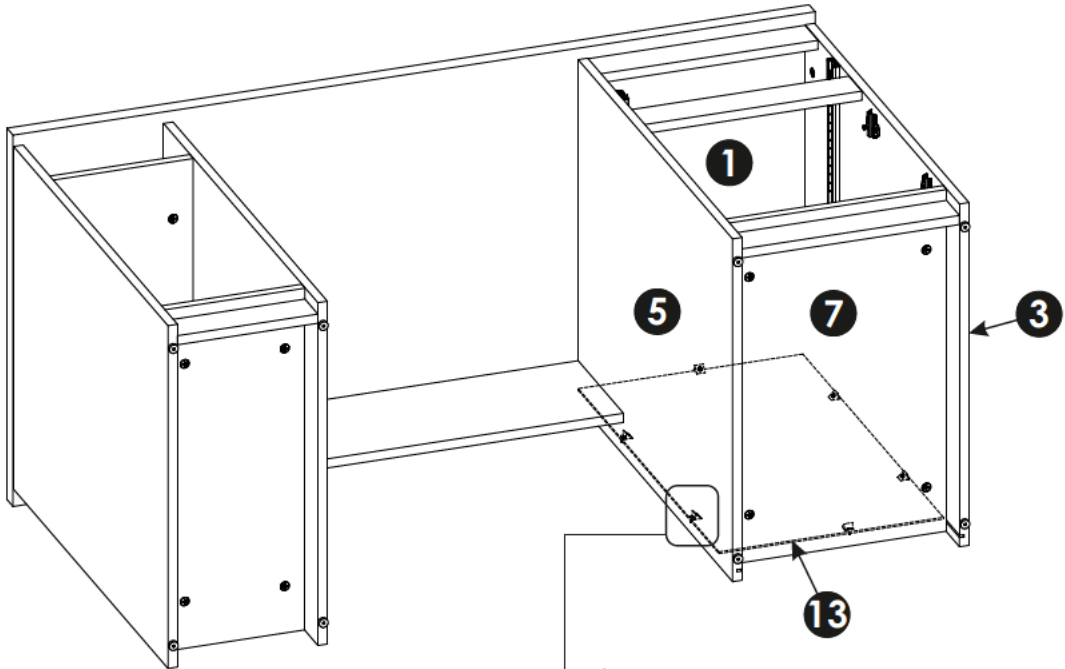
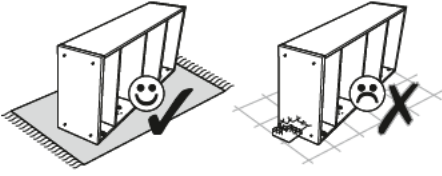
26 ▶



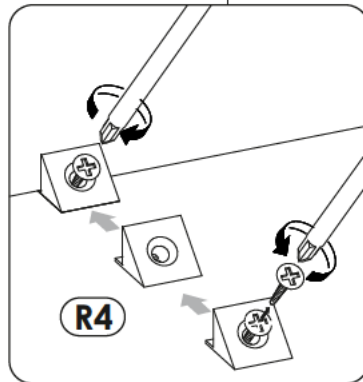
27 ▶



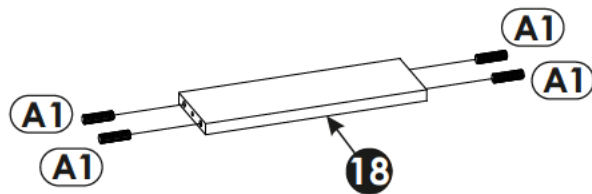
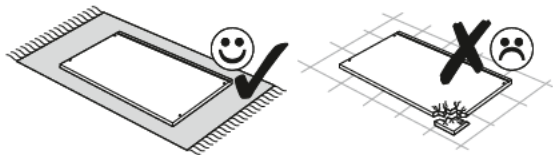
28 ▶



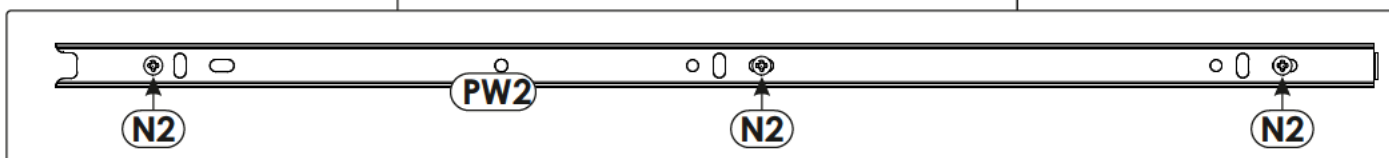
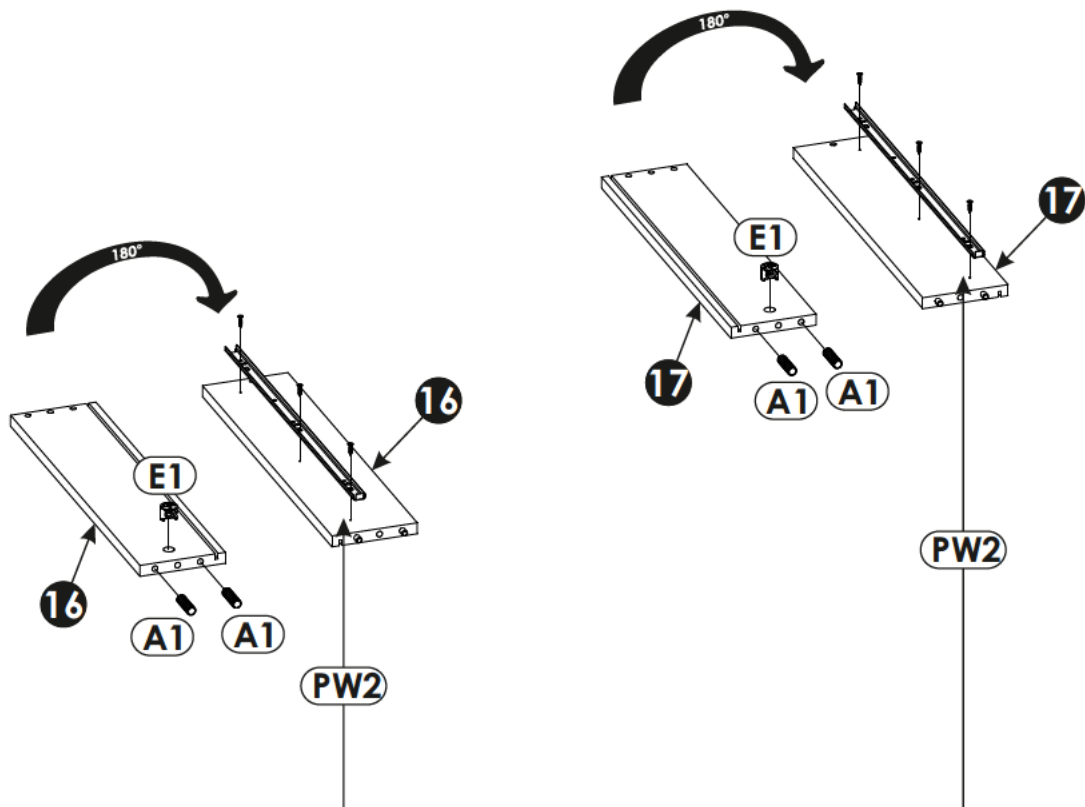
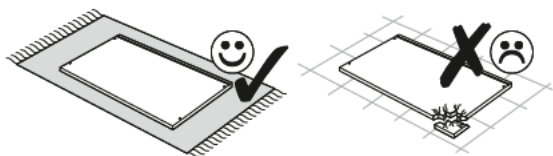
x6

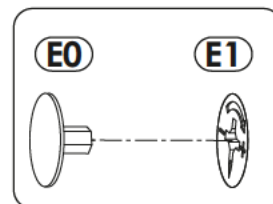
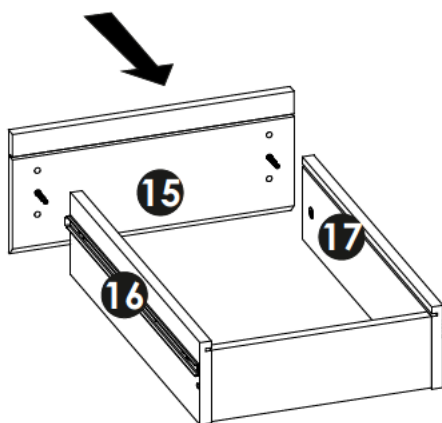
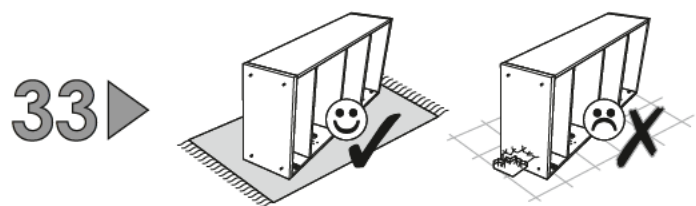
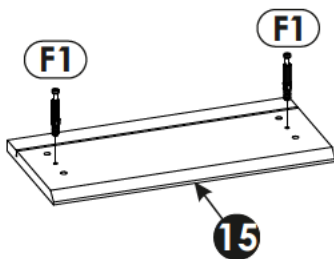
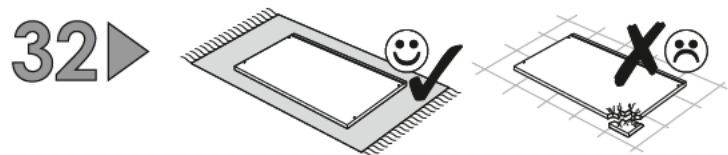
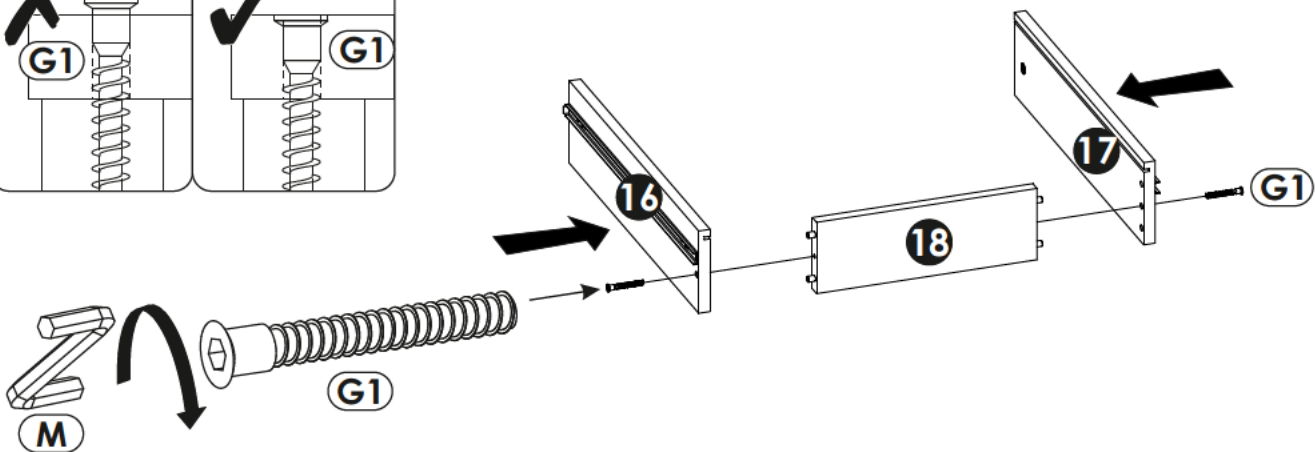
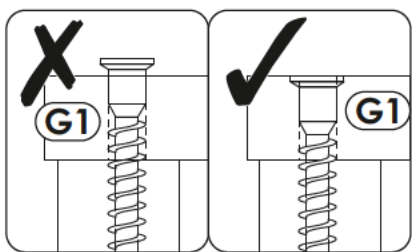
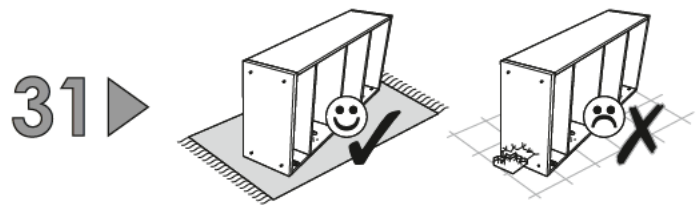


29 ▶

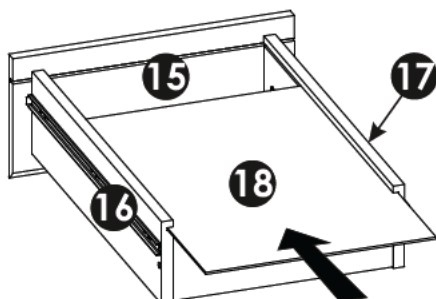
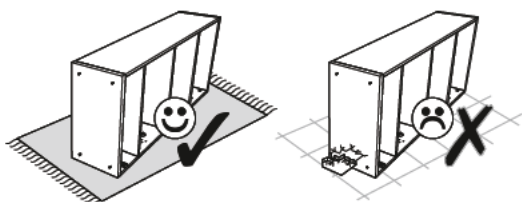


30 ▶

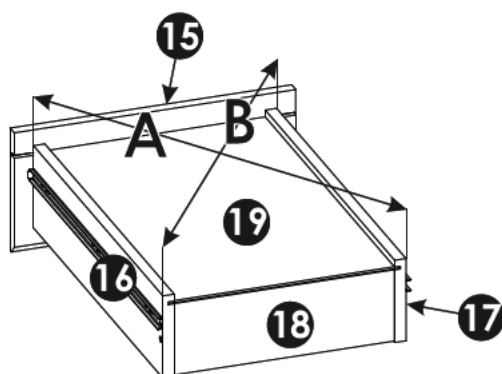
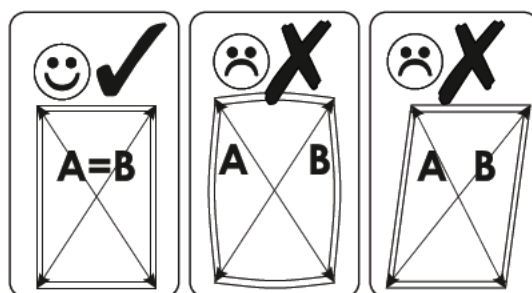
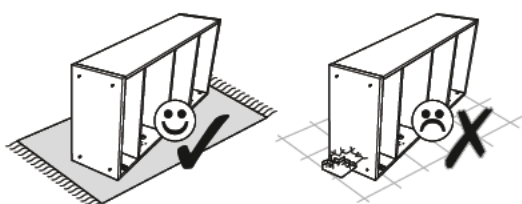




34 ▶

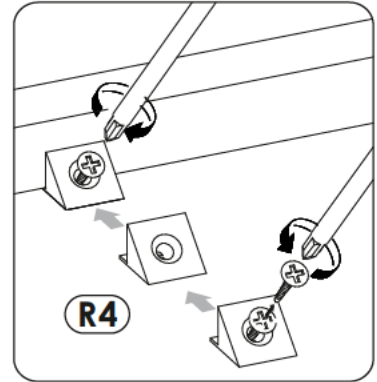
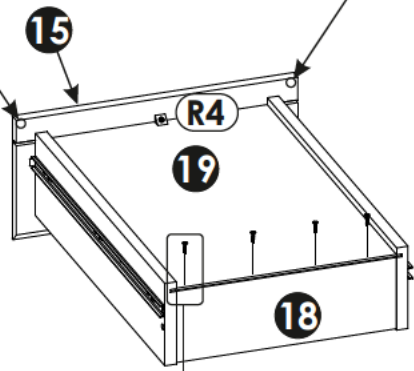
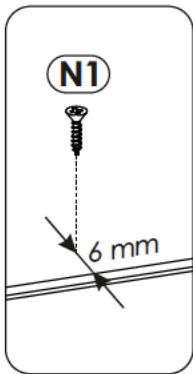
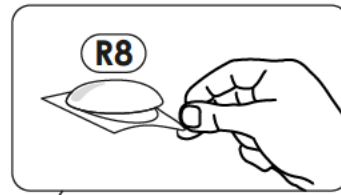
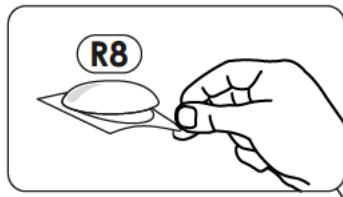
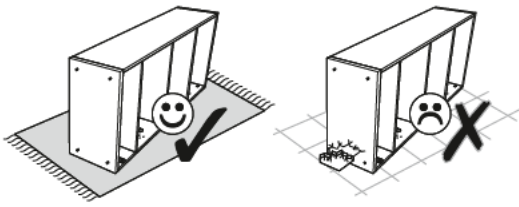


35 ▶

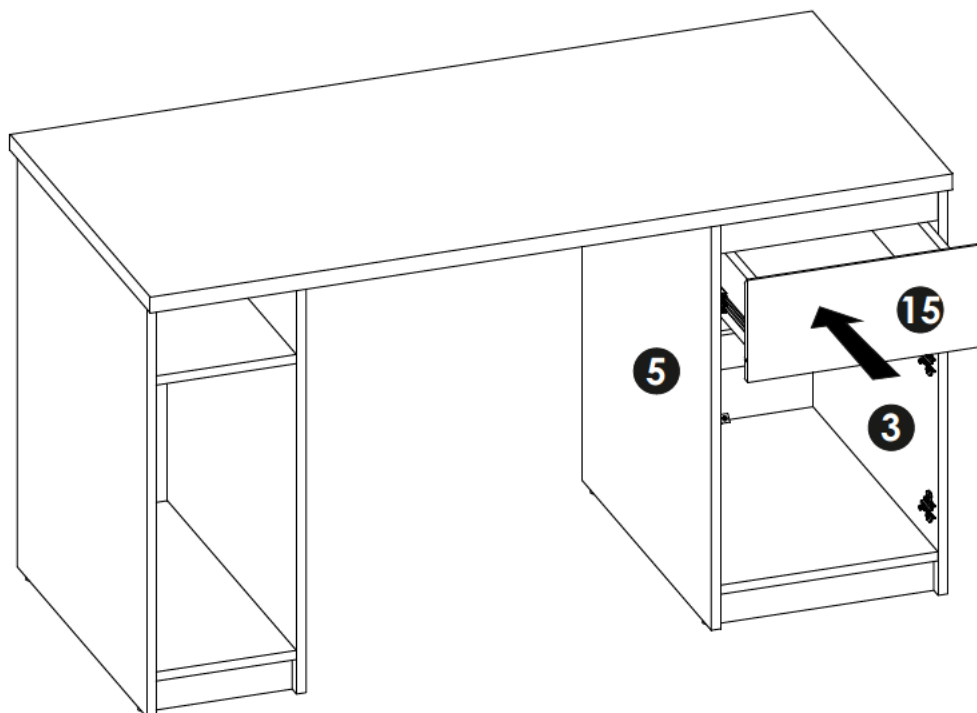


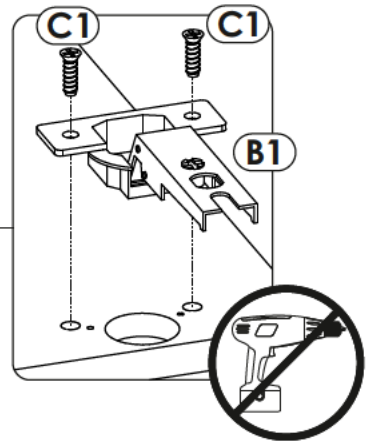
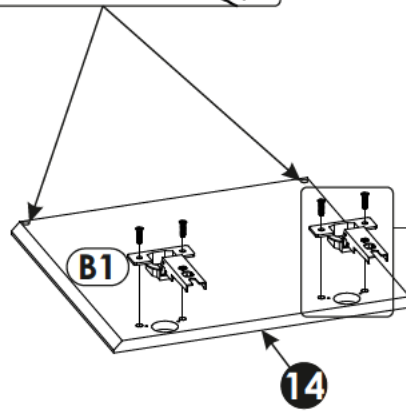
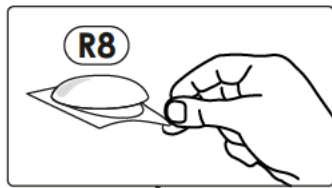
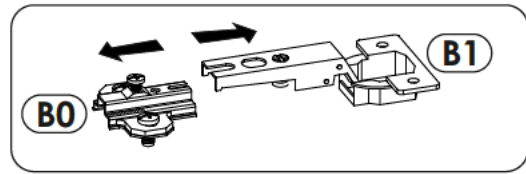
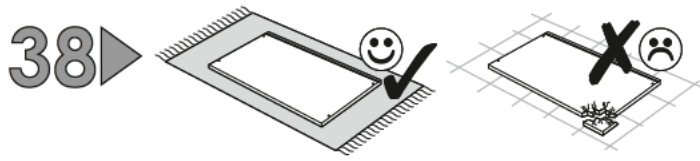
A=B

36▶

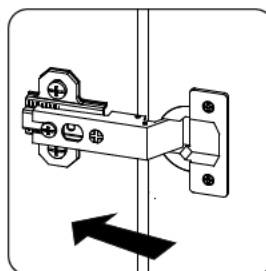
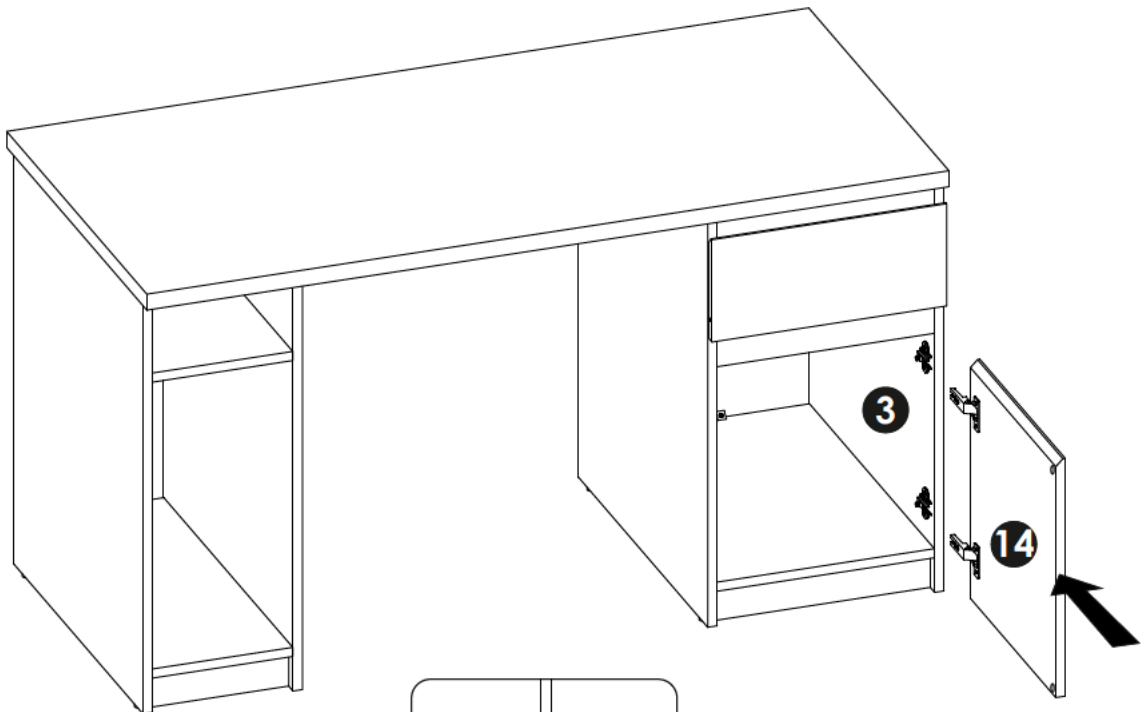


37▶

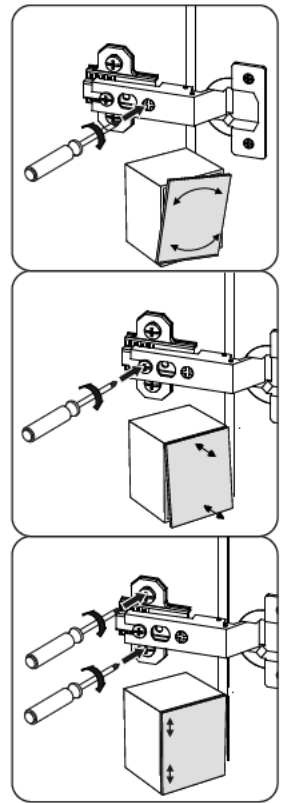
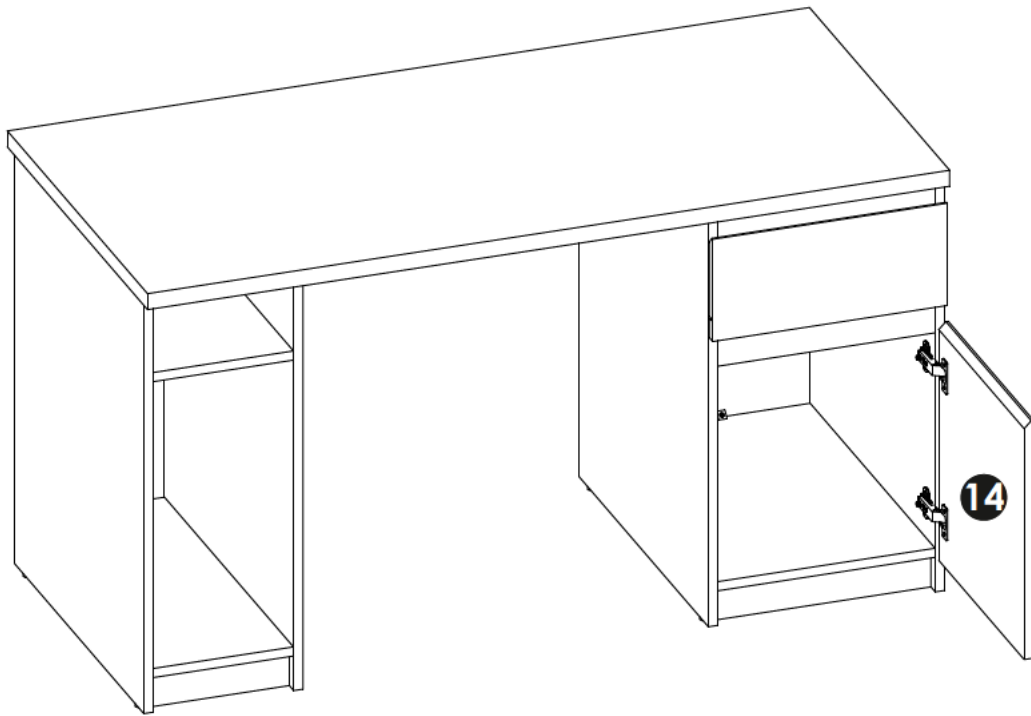




39 ▶



40▶



41▶

