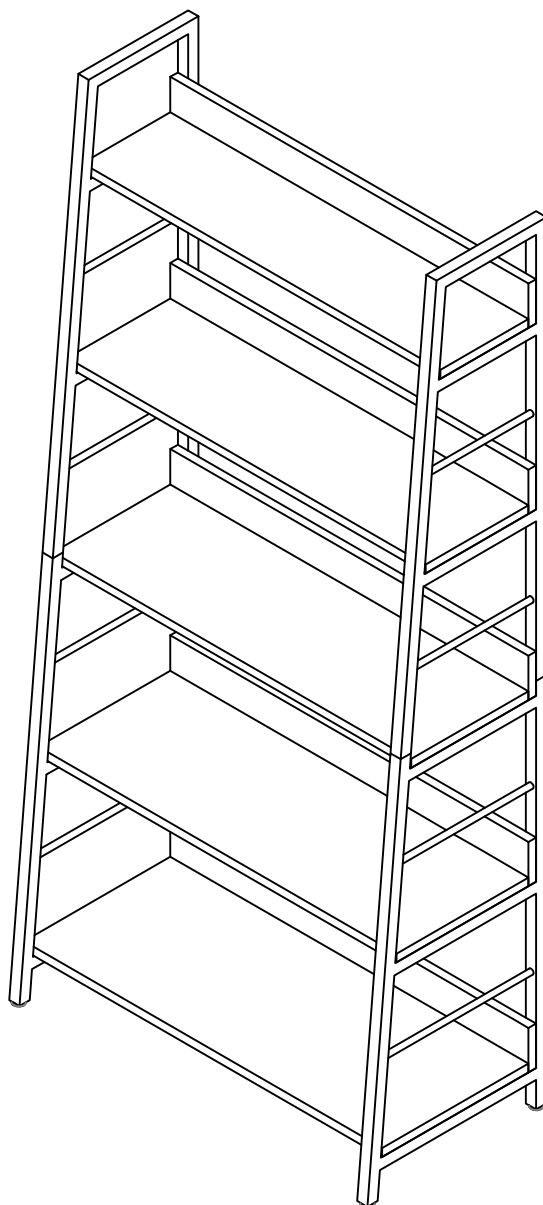


# ASSEMBLY INSTRUCTION

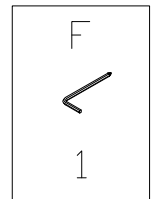
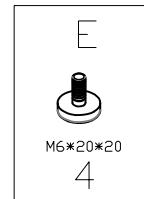
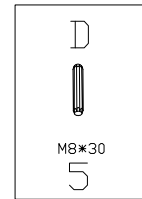
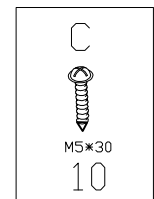
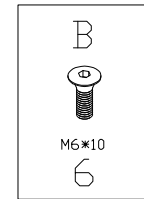
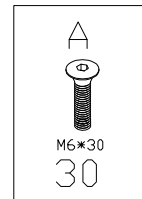
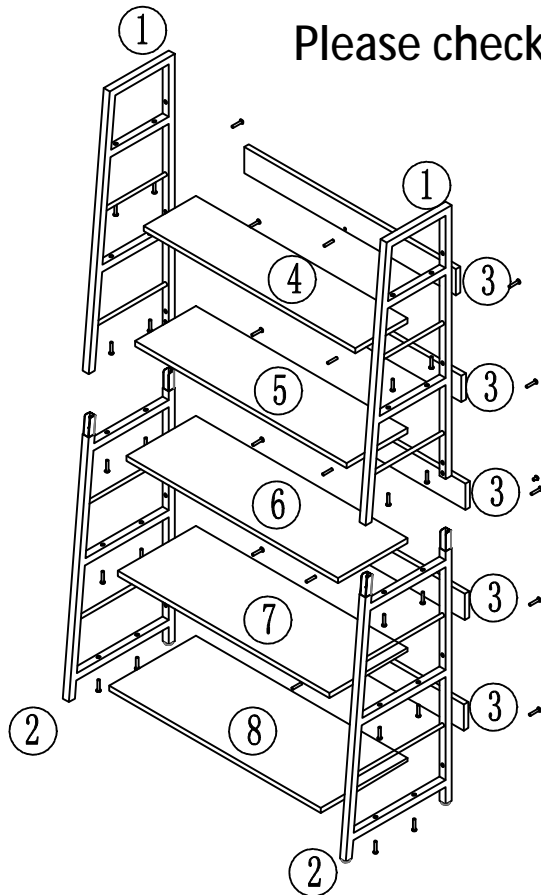
## Five-level shelving



**Made in China**

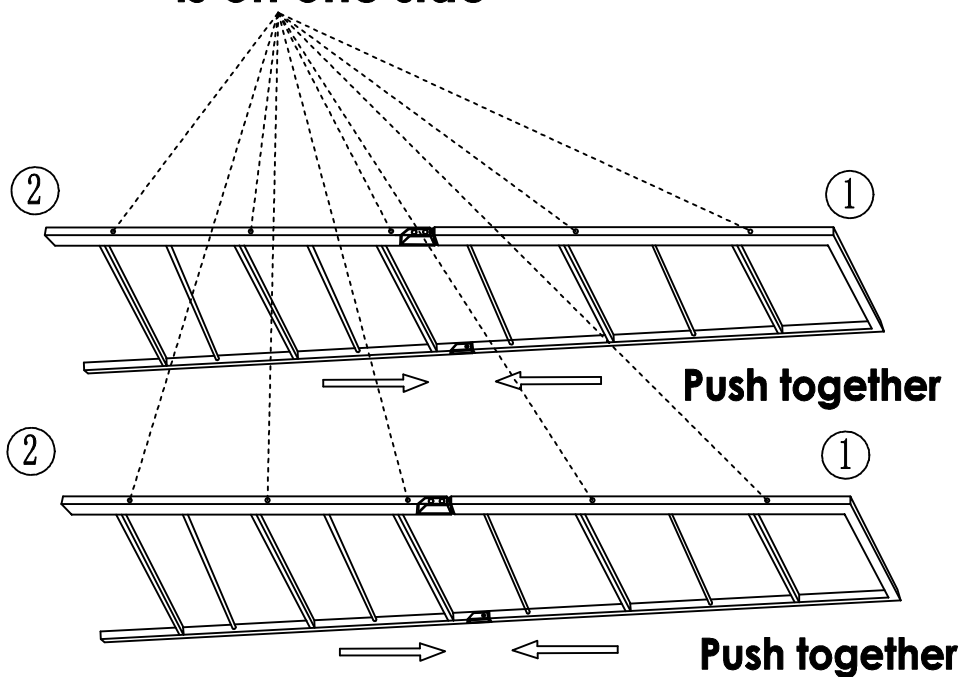
# Component Drawing

Please check the part and quantity

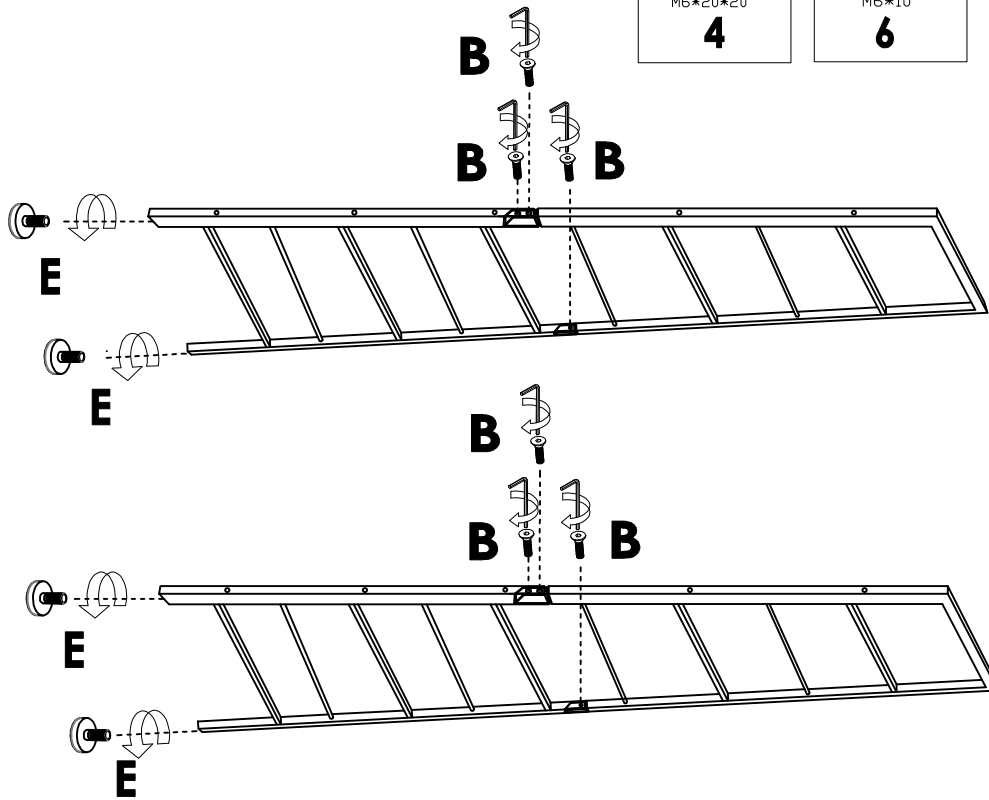
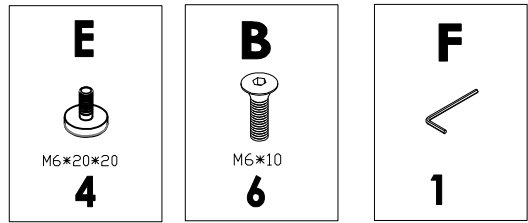


## Step:1 Assembly Steps

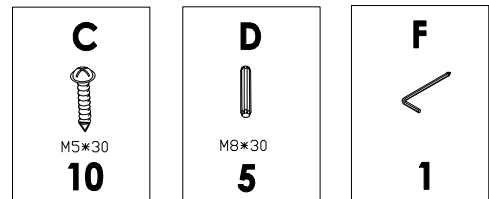
The drilled side of the two parts is on one side



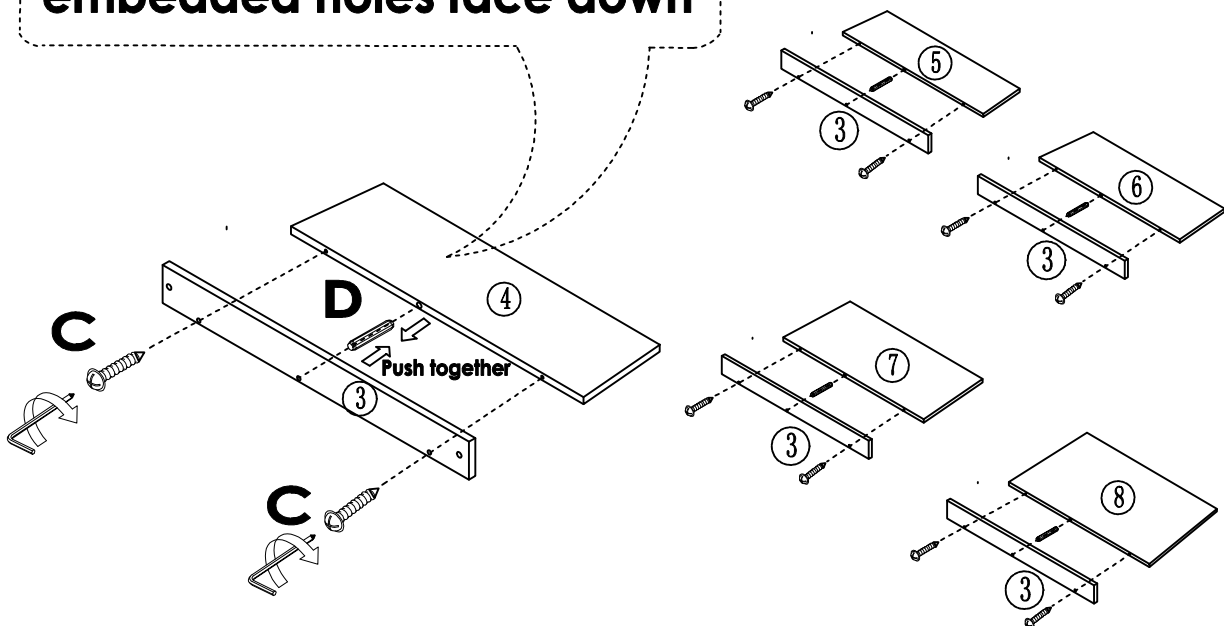
## Step:2



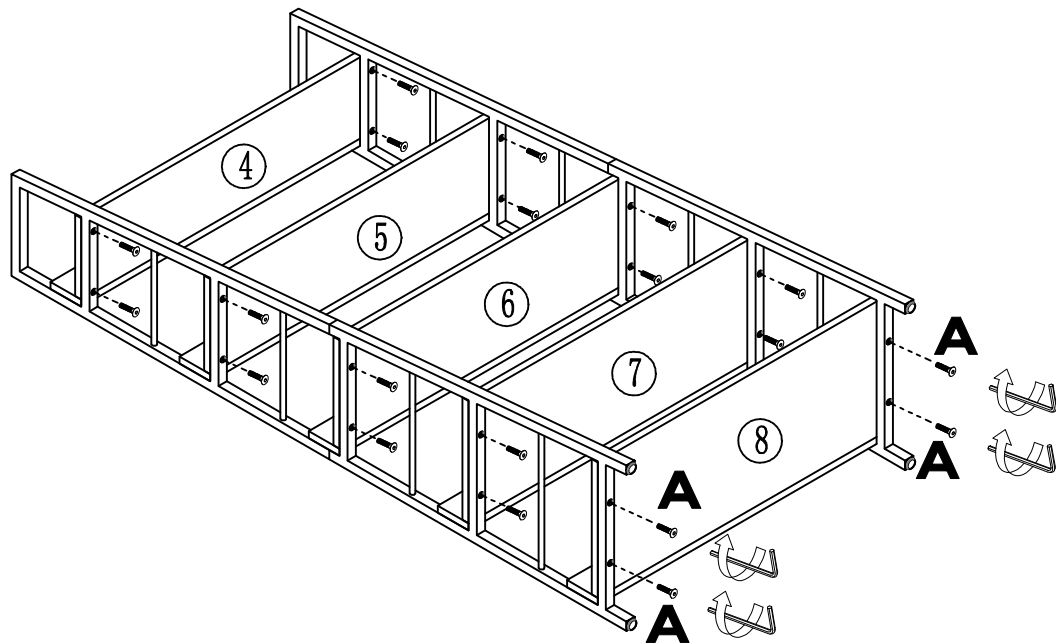
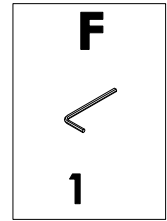
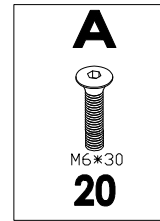
## Step:3



The side of the board with embedded holes face down



# Step:4



# Step:5

