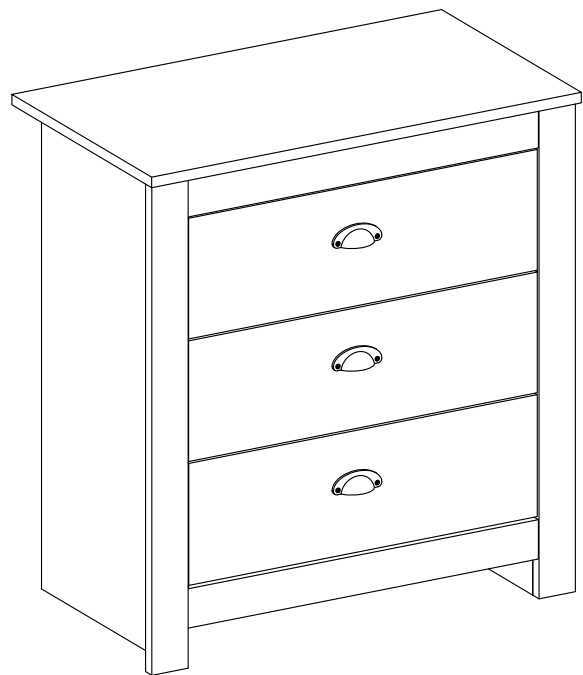
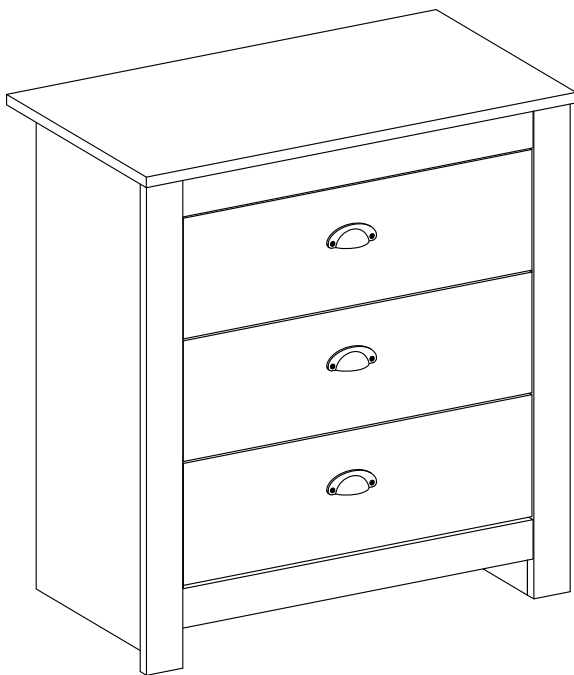




## 3 Drawers Chest × 2

USER MANUAL | MODE D'EMPLOI | MANUAL DEL USUARIO | GEBRAUCHSANLEITUNG |  
GEBRUIKSHANDLEIDING | MANUALE PER L'UTENTE | MANUAL DO UTILIZADOR



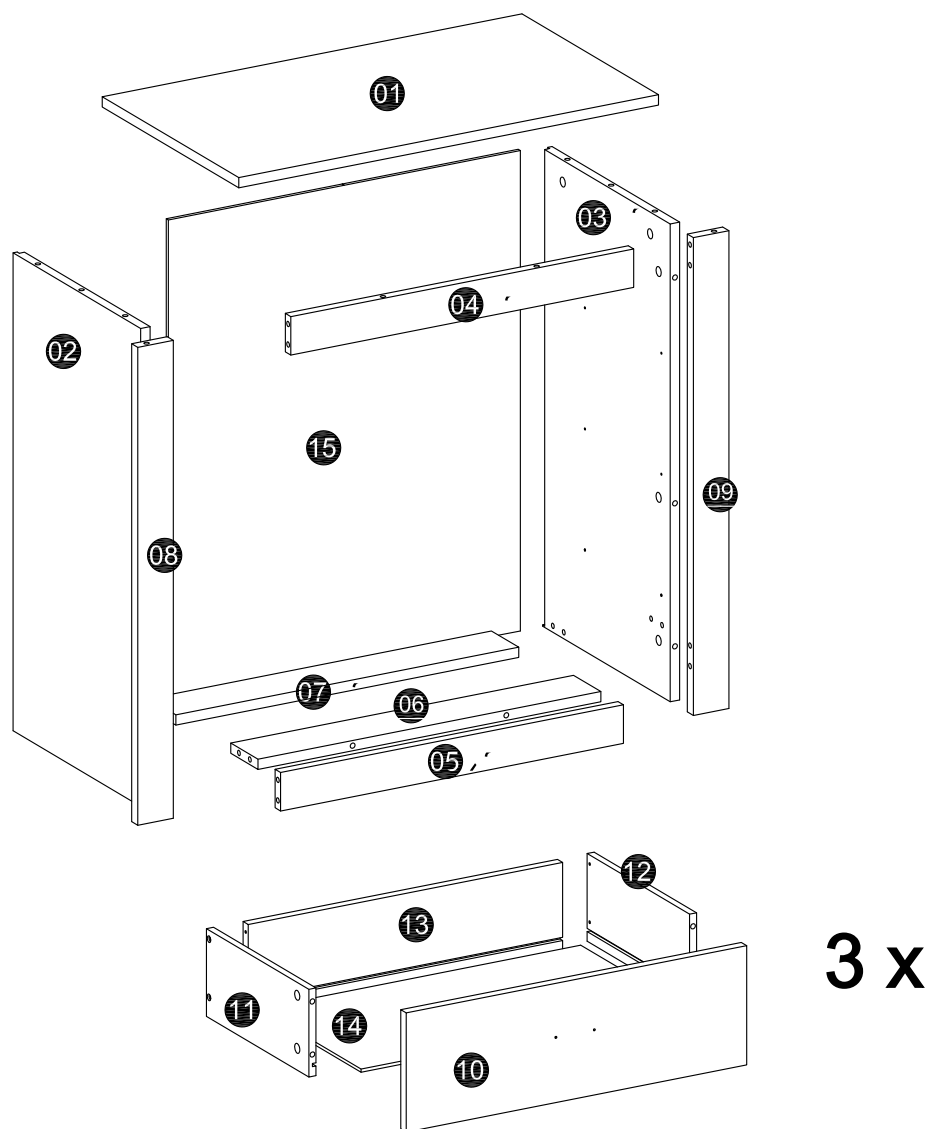
SKU:23997  
24288

	<p>Please keep your original packages , due to health and safety reasons , we cannot accept returns without original packages .</p> <p>Email: <a href="mailto:help@arcaliving.com">help@arcaliving.com</a></p>	
--	--	--

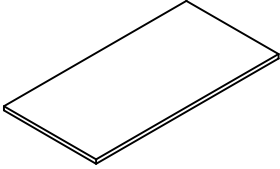
We will resolve the issues for you within 1 working day!

**Warning:**

Please do not use an electric drill, thank you for your cooperation!

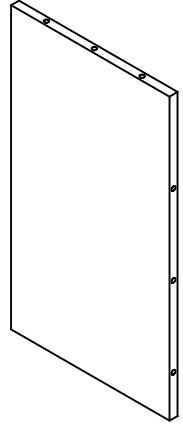


Description:Top Panel  
Qty:1\*2



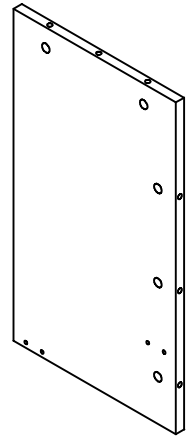
① 400×346×15mm

Description:Side Panel-L  
Qty:1\*2



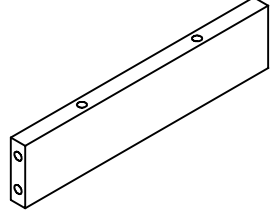
② 564×318×15mm

Description:Side Panel-R  
Qty:1\*2



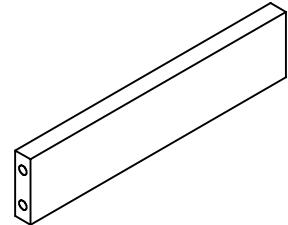
③ 564×318×15mm

Description:Brow furrow  
Qty:1\*2



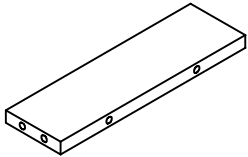
④ 270×60×15mm

Description:Baseboard  
Qty:1\*2



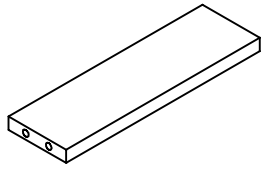
⑤ 270×60×15mm

Description:Front Bottom Bar  
Qty:1\*2




⑥ 271×80×15mm

Description:Back Bottom Bar  
Qty:1\*2



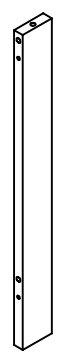
⑦ 271×80×15mm

Description:Frame Bar-L  
Qty:1\*2



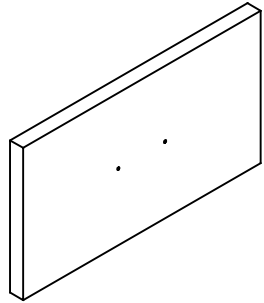
⑧ 564×60×18mm

Description:Frame Bar-R  
Qty:1\*2



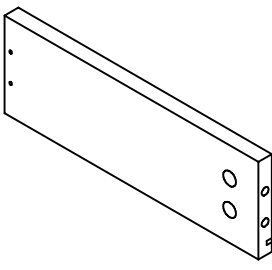
⑨ 564×60×18mm

Description:Drawer Front  
Qty:3\*2



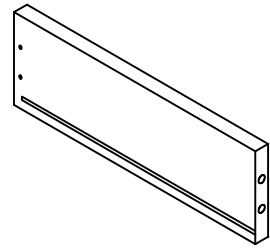
⑩ 265×119×15mm

Description:Drawer Side Panel-L  
Qty:3\*2



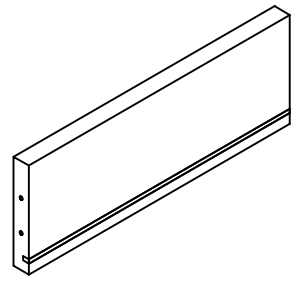
⑪ 300×90×15mm

Description:Drawer Side Panel-R  
Qty:3\*2



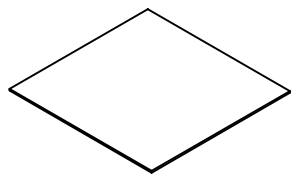
⑫ 300×90×15mm

Description:Drawer Back  
Qty:3\*2



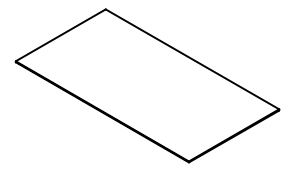
⑬ 216×90×15mm

Description:Drawer Bottom  
Qty:3\*2



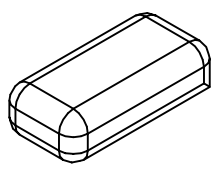
⑭ 293×226×3mm

Description:Back Panel  
Qty:1\*2

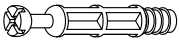



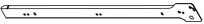


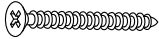
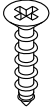

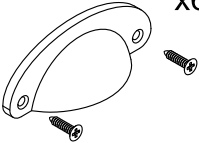



⑮ 577×300×3mm

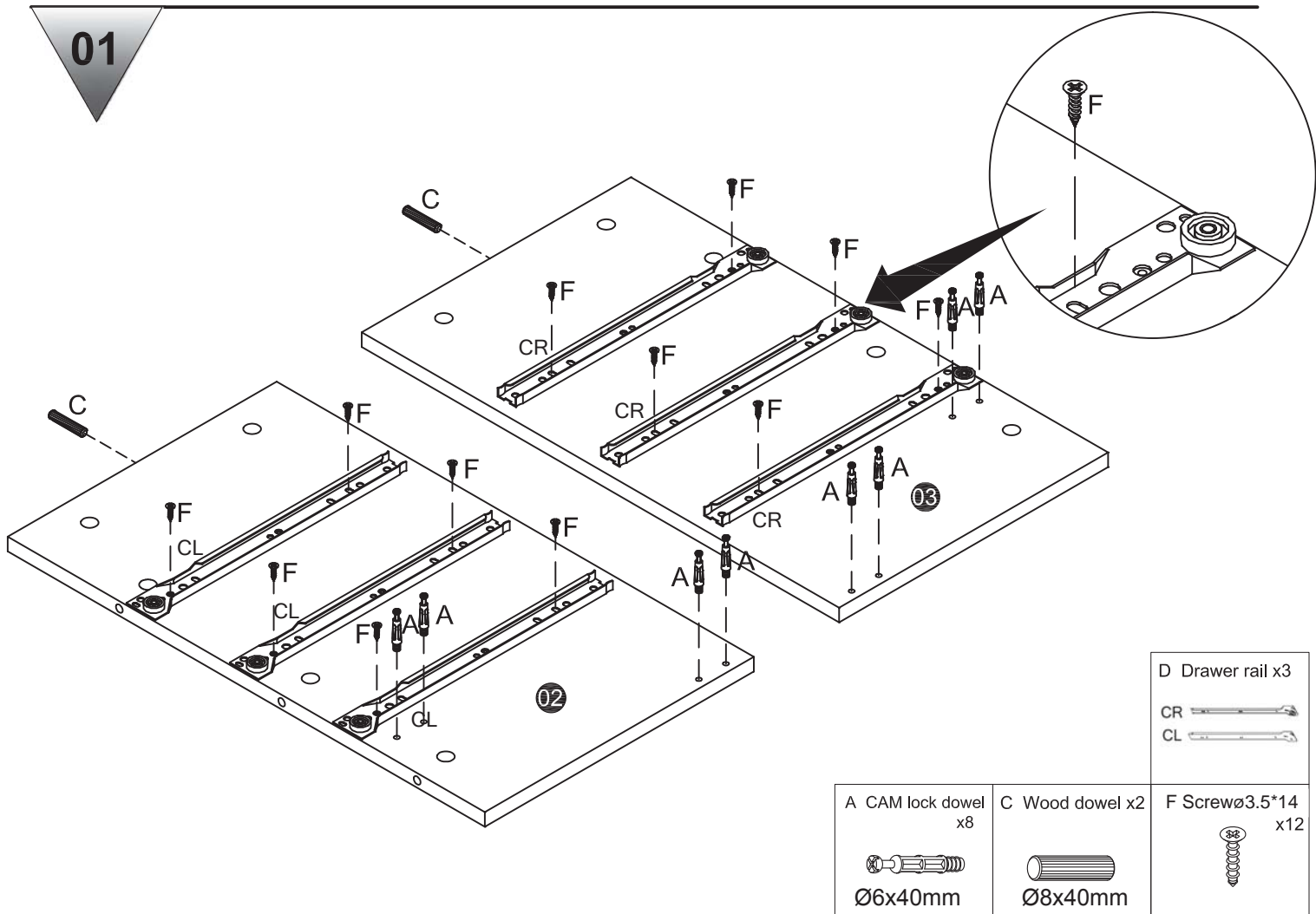
Description:All Fixings  
Qty:1



⑯ 200×120×20mm


<p>A CAM lock dowel Ø6x40mm x80</p> 	<p>B CAM lock x80 Ø15x20mm</p> 	<p>C Wood dowel Ø8x40mm x12</p> 	<p>D Drawer rail x6</p> <p>CR </p> <p>CL </p> <p>DR </p> <p>DL </p>	<p>E Screw Ø3.5x35 x24</p> 
<p>F Screw Ø3.5x14 x48</p> 	<p>G Nail x28</p> 	<p>H Handle&amp;Screw x6</p> 	<p>I Nail Leg x8</p> 	


01




D Drawer rail x3

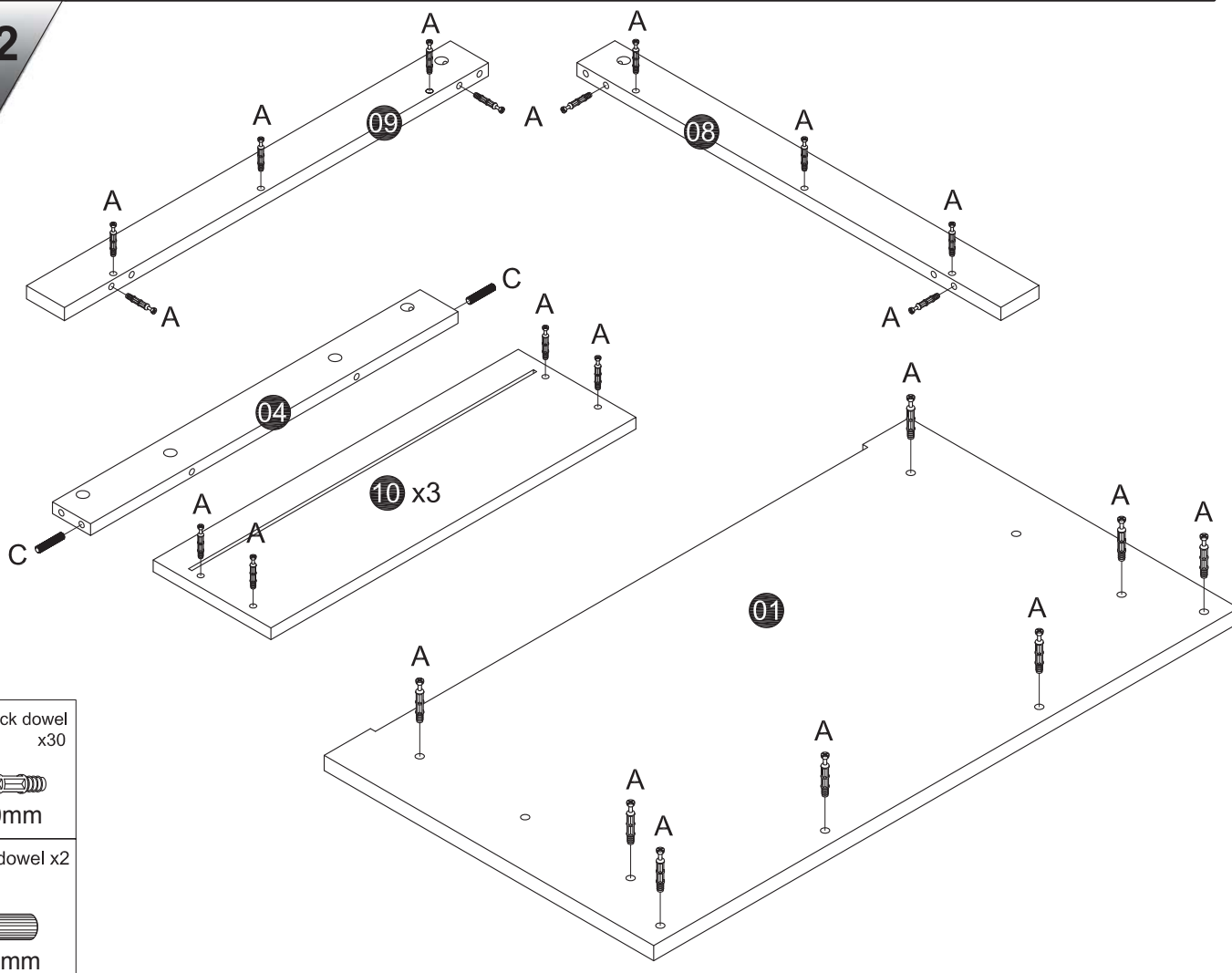
CR   
CL 

A CAM lock dowel  
x8  
  
Ø6x40mm


C Wood dowel x2  
  
Ø8x40mm

F Screw  $\varnothing 3.5 \times 14$   
x12  



02



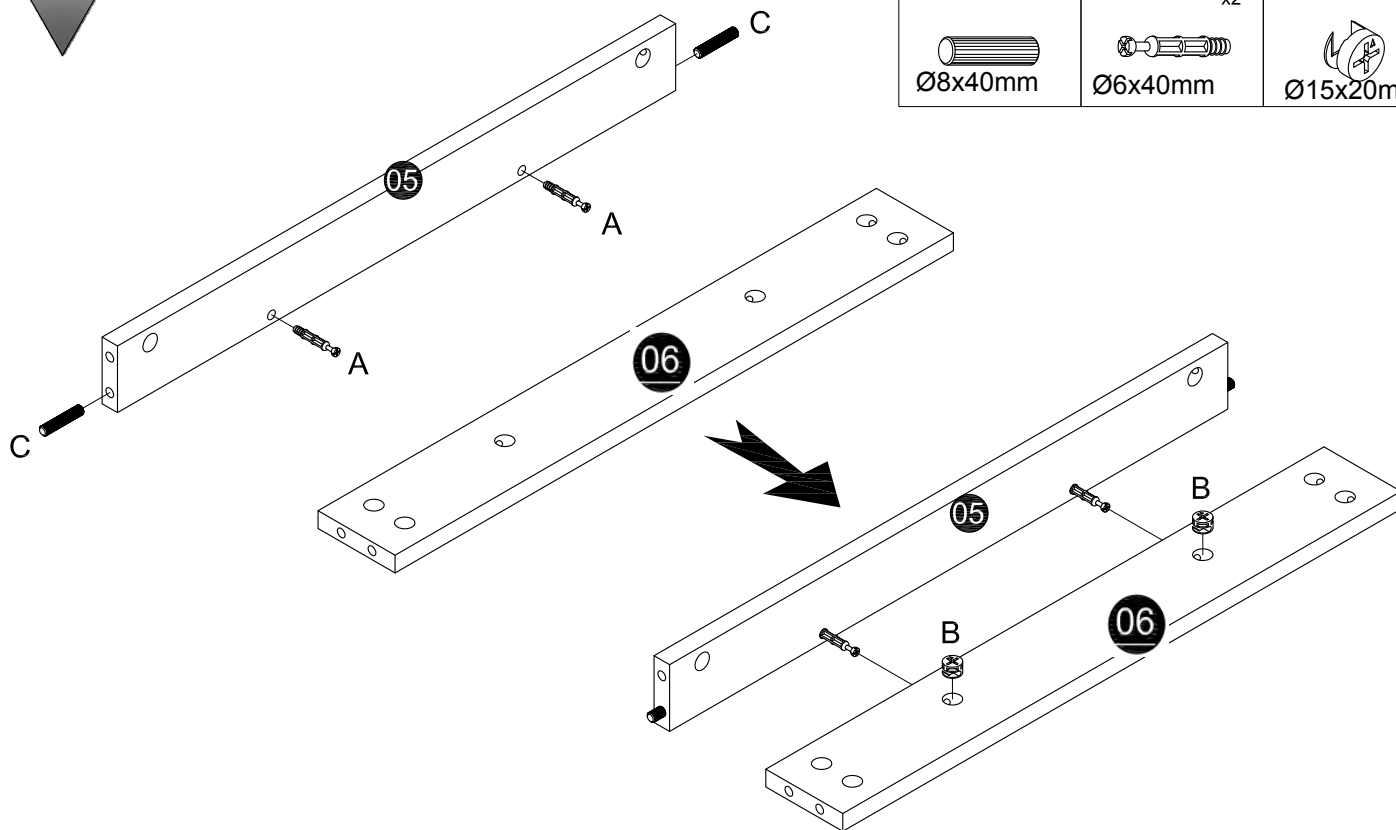
A CAM lock dowel  
x30

  
Ø6x40mm

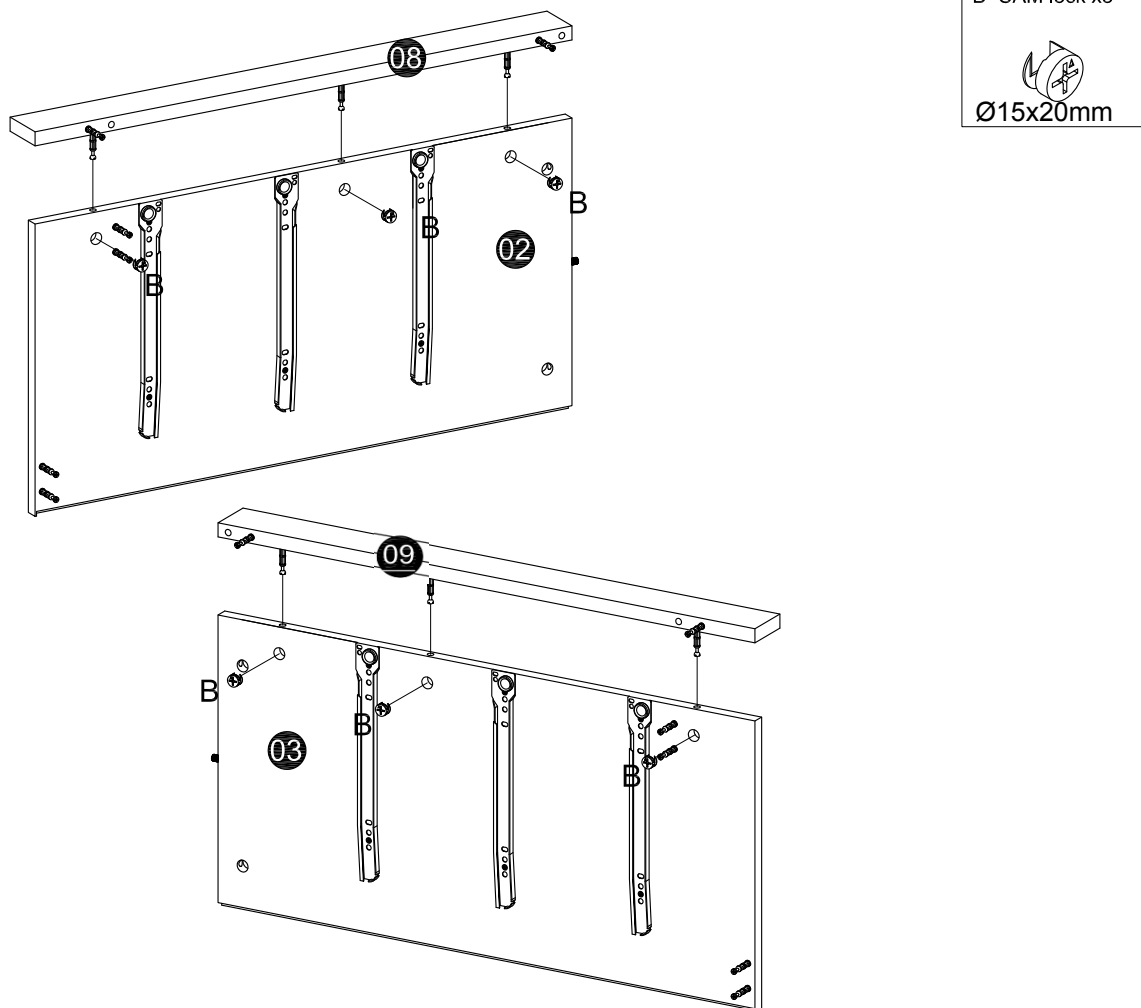
C Wood dowel x2

  
Ø8x40mm

03

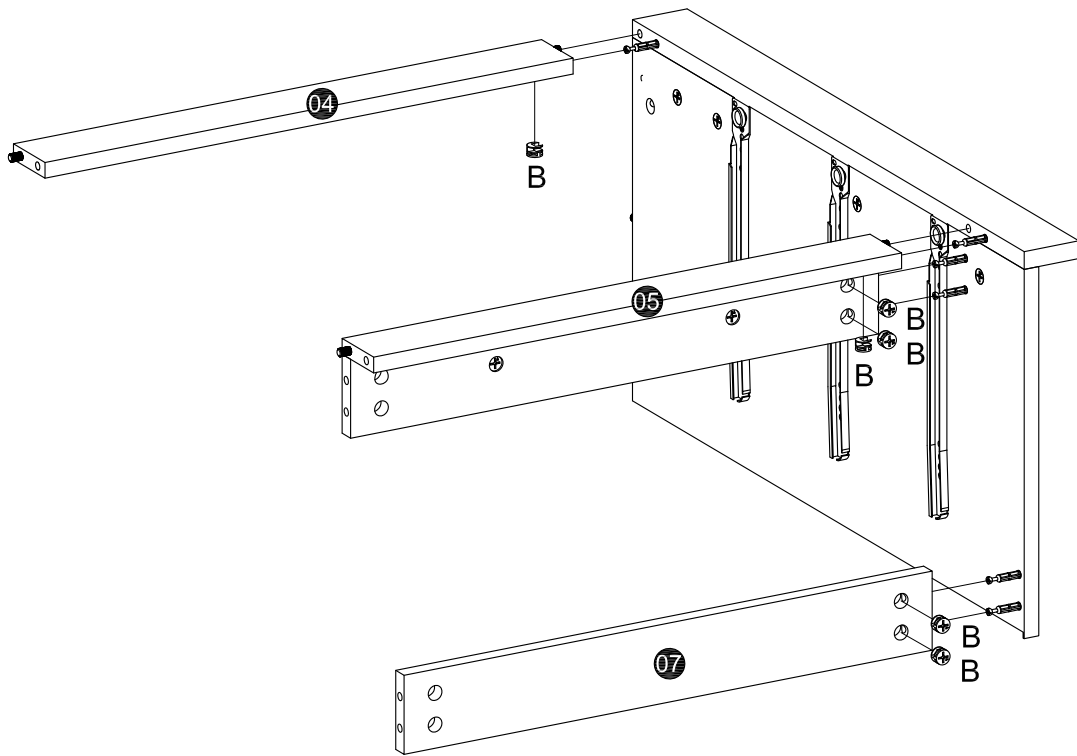


04



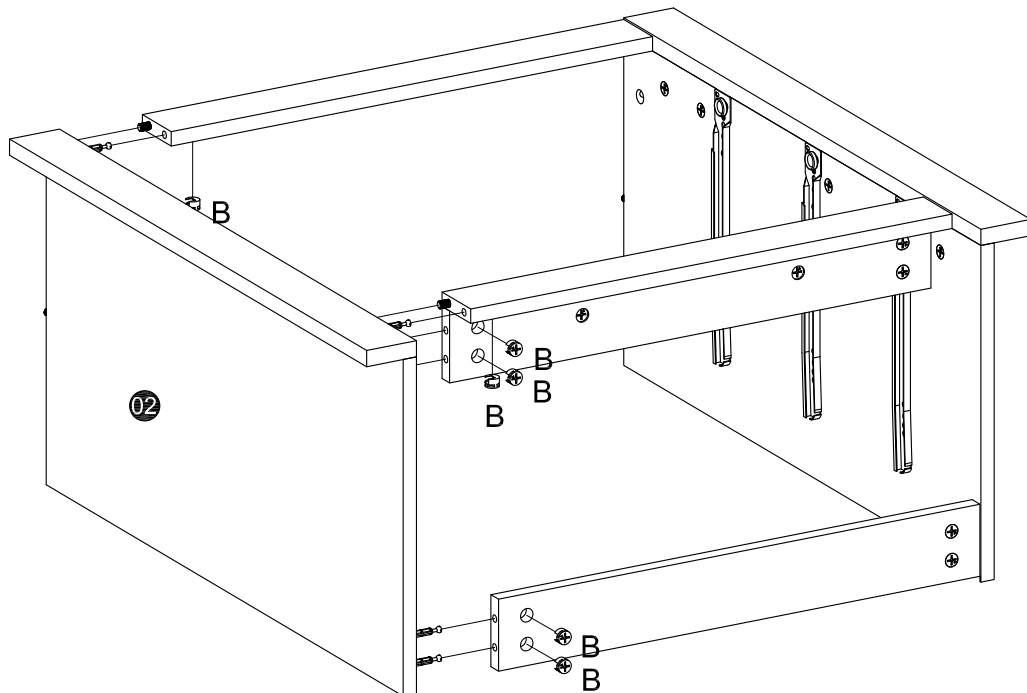
05

B CAM lock x8

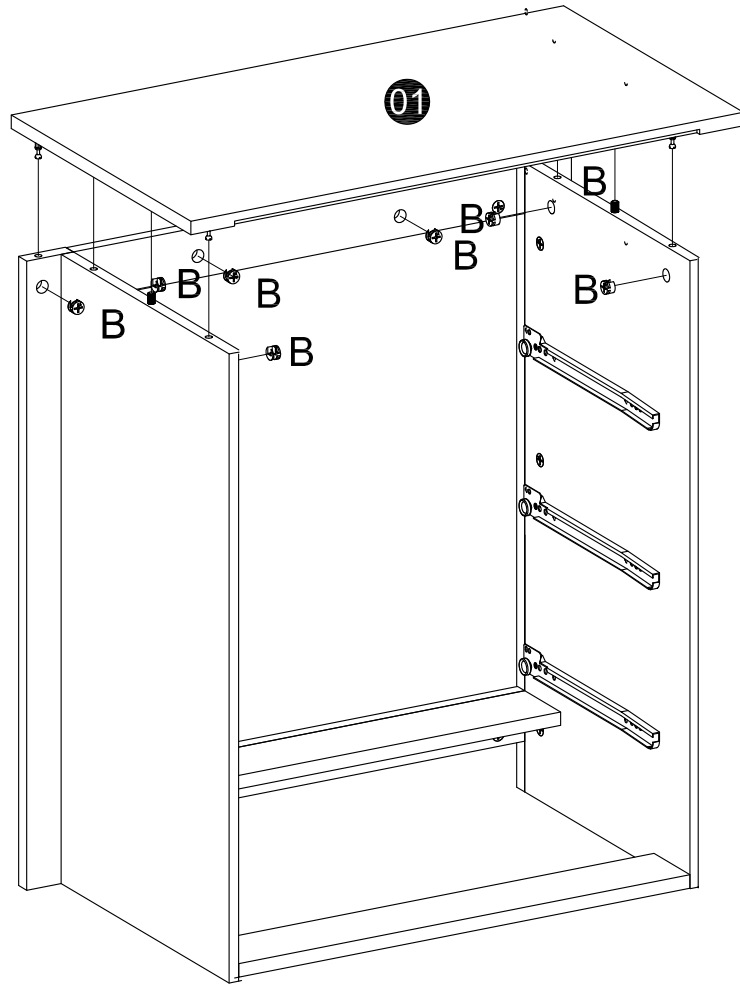


06

B CAM lock x8



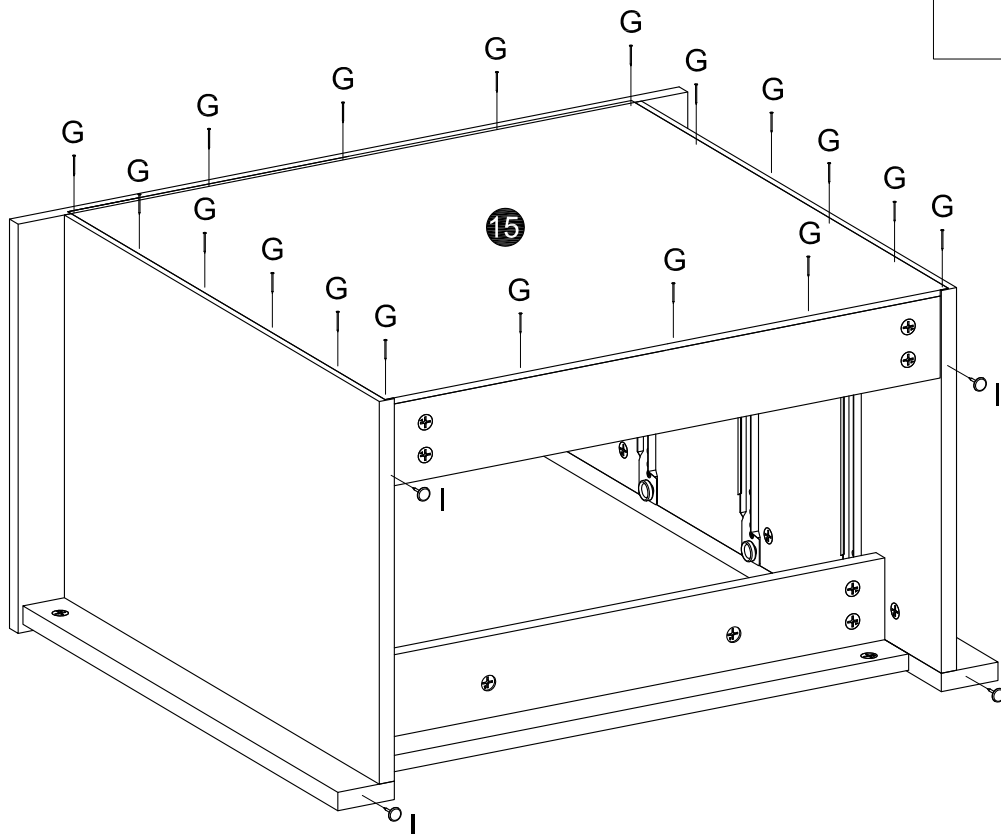
07



B CAM lock x8



08



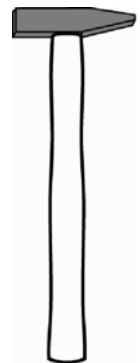
G Nail



I Nail leg

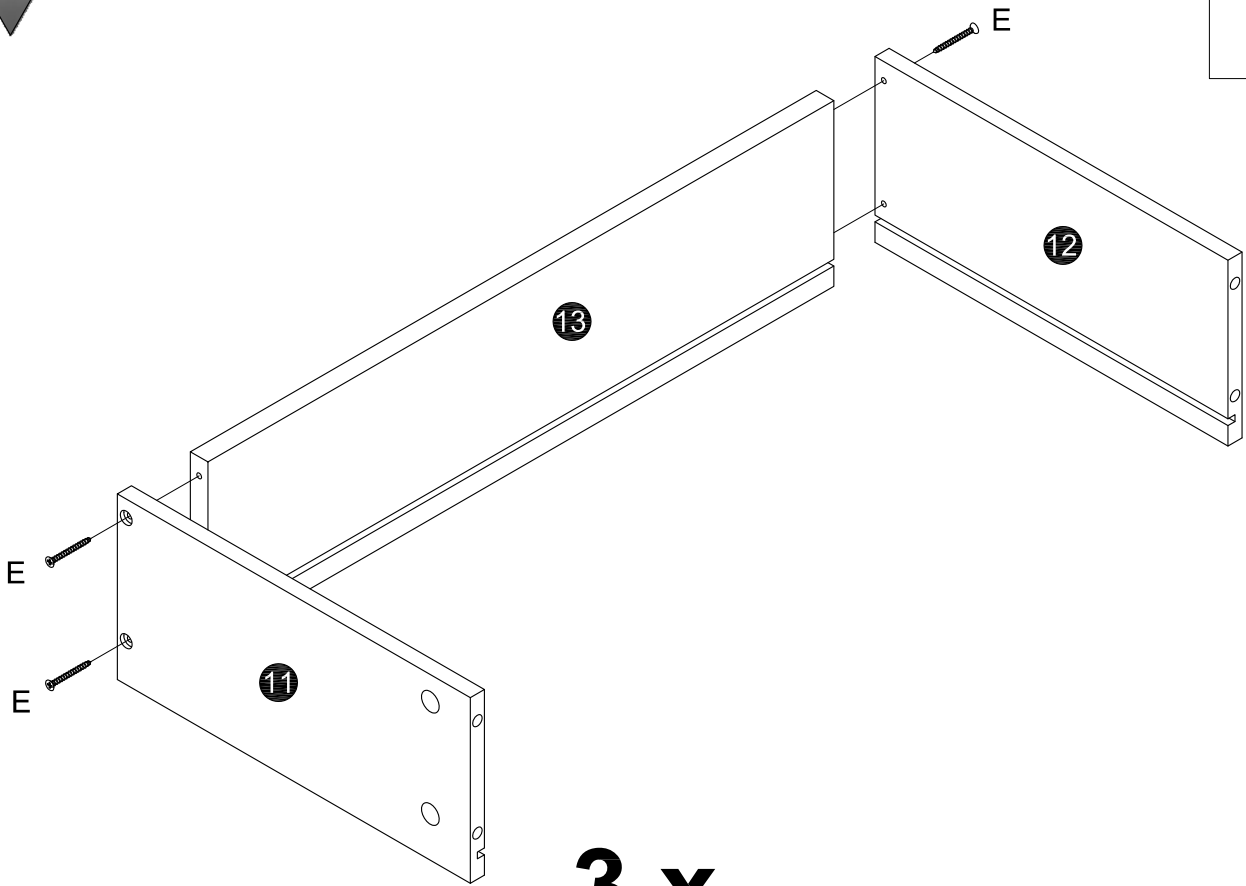


x4



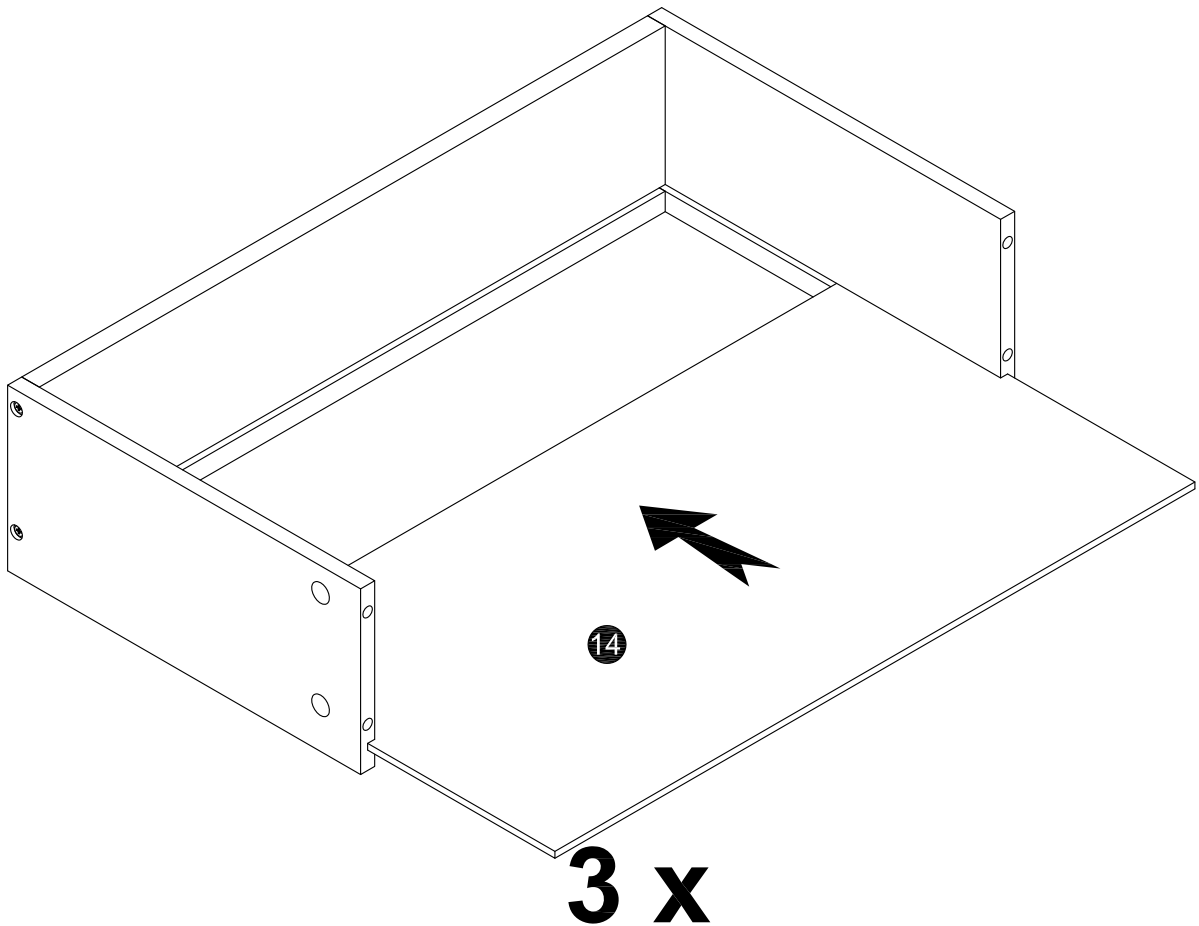
09

E Screw  $\varnothing 3.5 \times 35$   
x12



**3 x**

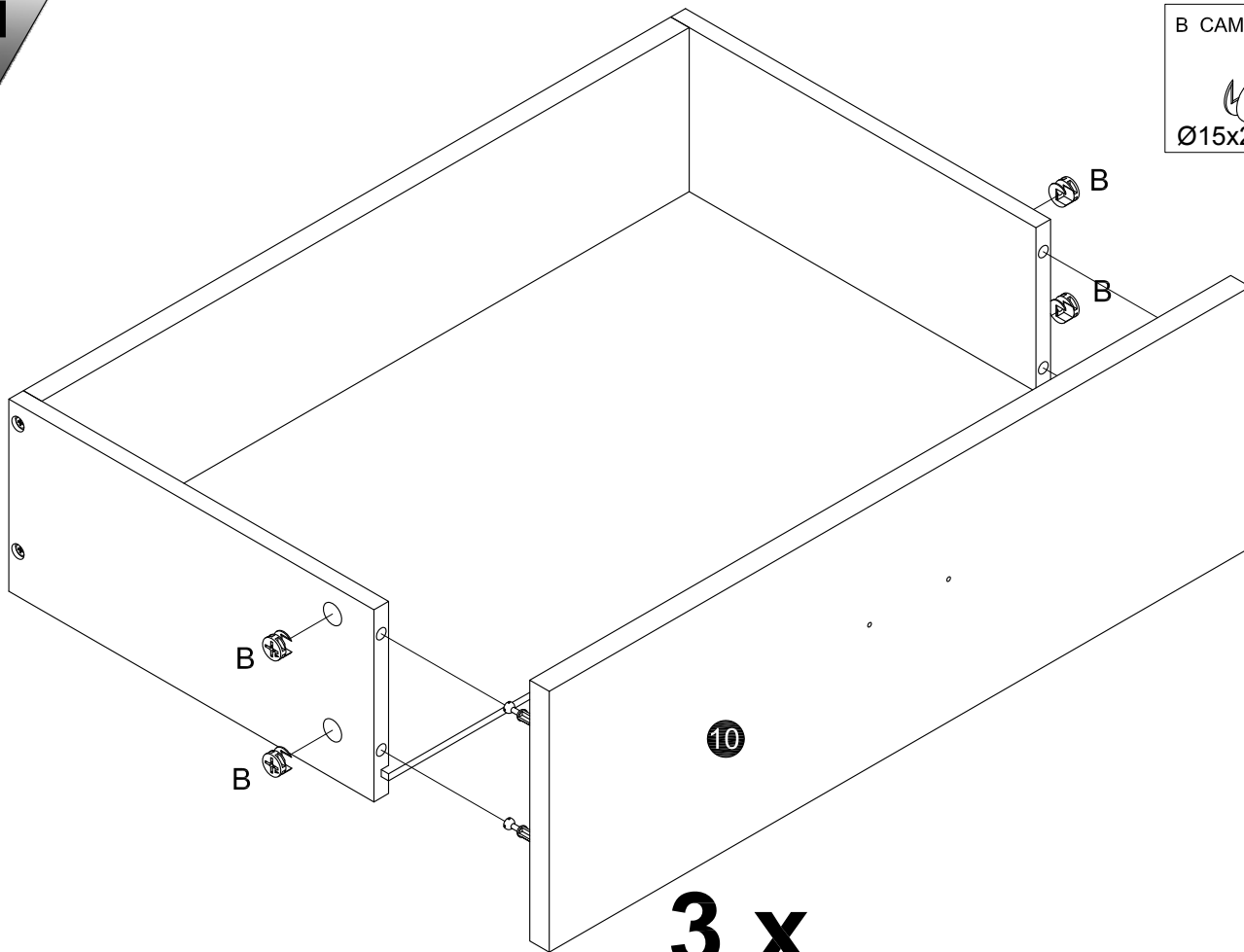
10



**3 x**

11

B CAM lock x12

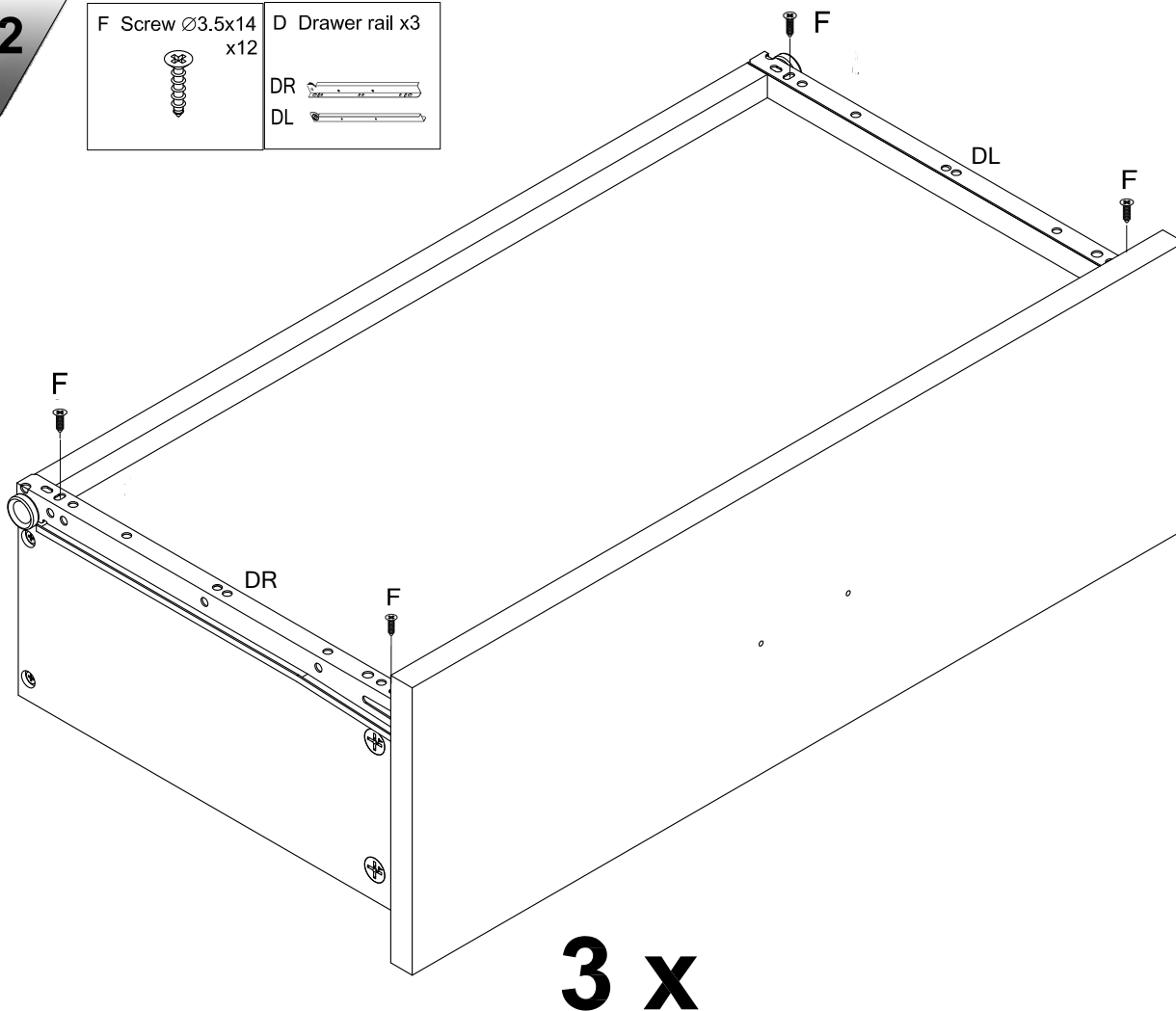
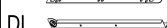


12

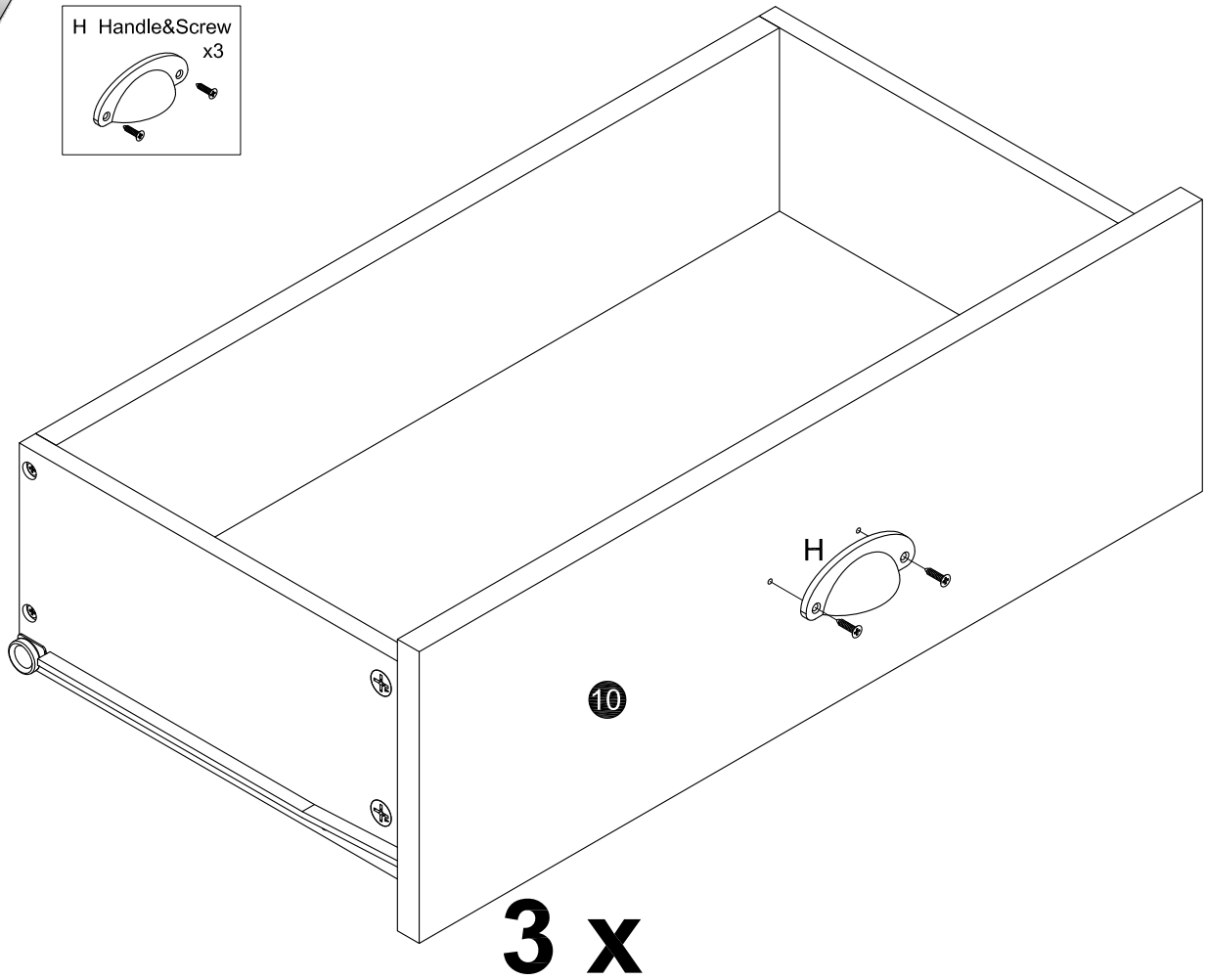
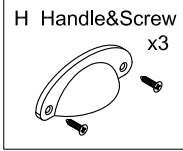
F Screw Ø3.5x14  
x12



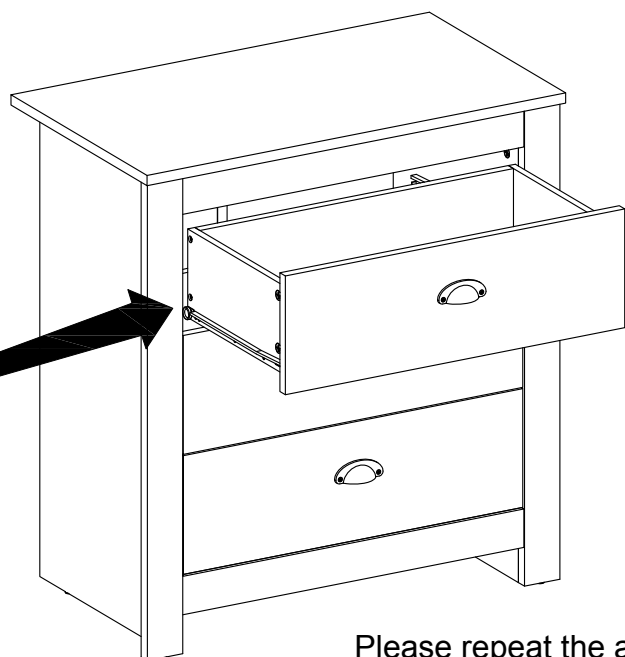
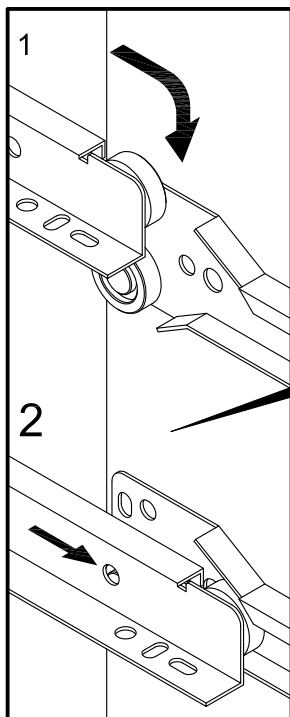
D Drawer rail x3



13



14



Please repeat the above steps to assemble the second set.

## CARE AND SAFETY GUIDELINES

Never use scourers, abrasives or chemical cleaners.

To clean, wipe with a damp sponge and warm soapy water. Do not use solvent based cleaners or detergents as they can bleach or damage the product.



For assistance with assembly, or to request replacement parts, log onto our website or call Customer Service.

**DO NOT RETURN THE PRODUCT TO THE STORE.**

Si vous avez besoin d'aide pour le montage, ou pour demander des pièces de rechange, connectez-vous sur notre site Web ou appelez le service à la clientèle.

**NE RETOURNEZ PAS LE PRODUIT AU MAGASIN.**

Para obtener ayuda sobre el montaje o para solicitar piezas de repuesto, conéctese a nuestra página web o llame a Atención al cliente.

**NO DEVUELVA EL PRODUCTO A LA TIENDA.**

Wenn Sie Hilfe beim Aufbau oder Ersatzteile benötigen, melden Sie sich auf unserer Webseite an oder rufen Sie unseren Kundenservice an.

**GEBEN SIE DAS PRODUKT NICHT IM GESCHÄFT ZURÜCK.**

Als u hulp nodig heeft bij de montage of vervangende onderdelen wilt bestellen, kunt u inloggen op onze website of bellen met de klantenservice.

**BRENG HET PRODUCT NIET TERUG NAAR DE WINKEL.**

Per assistenza al montaggio, o per richiedere pezzi di ricambio, accedi al nostro sito o chiama il servizio clienti.

**NON RESTITUIRE IL PRODOTTO AL NEGOZIO.**

Para obter ajuda na montagem, ou para solicitar peças de substituição, inicie a sessão no nosso sítio da Internet ou ligue para o Serviço de Apoio ao Cliente.

**NÃO DEVOLVA O PRODUTO À LOJA.**

US,

Spain:

Other European Countries:

Email: [help@arcaliving.com](mailto:help@arcaliving.com)