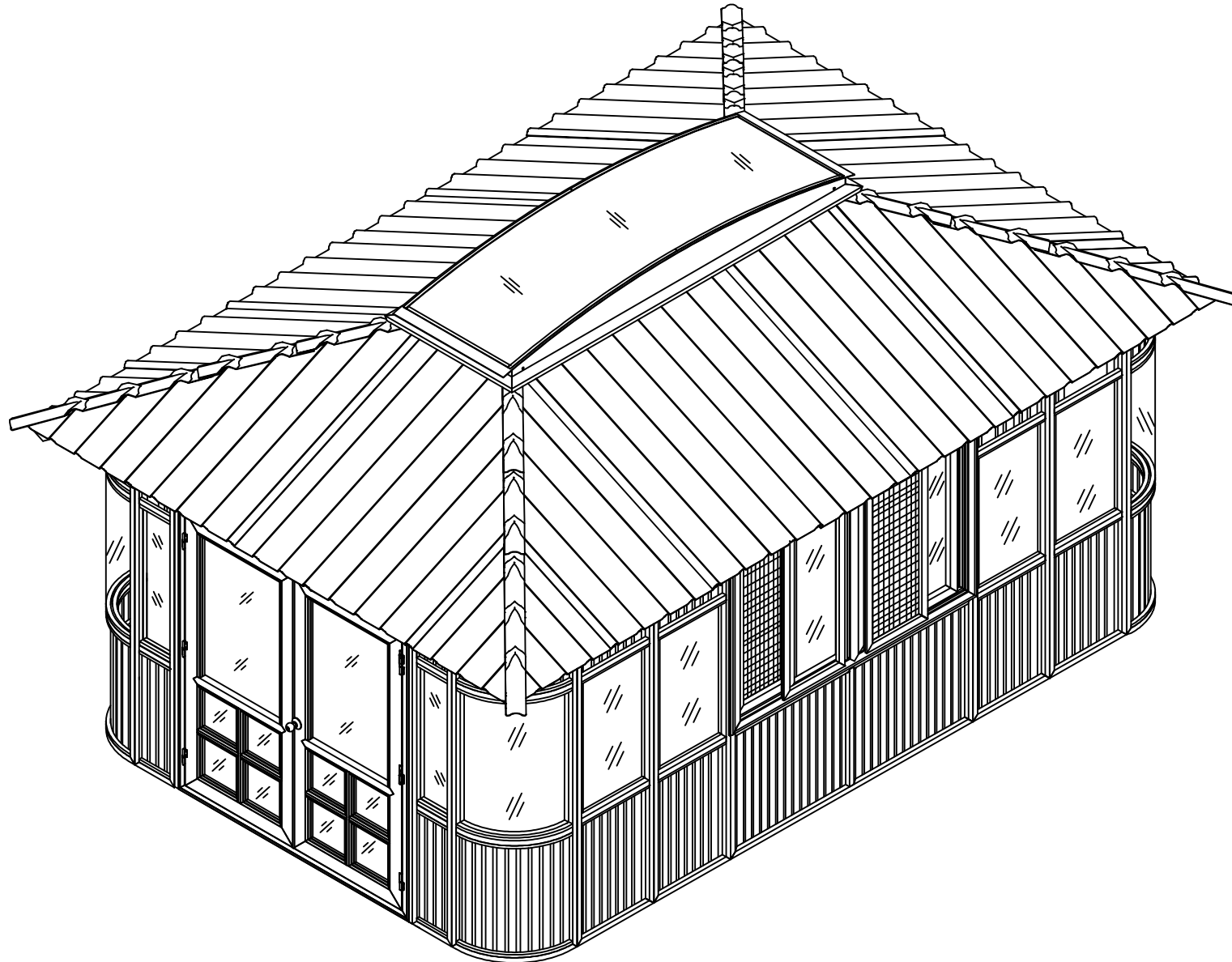
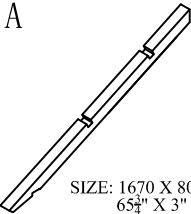
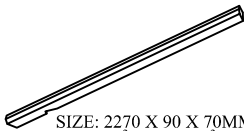
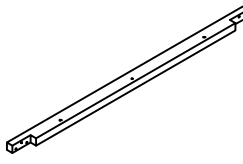
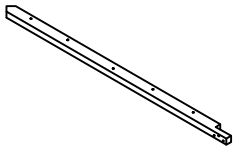
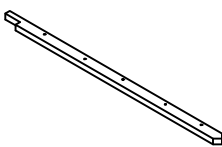
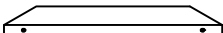
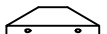
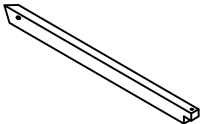
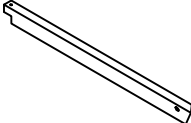
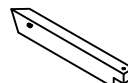
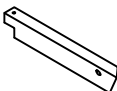
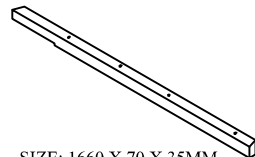
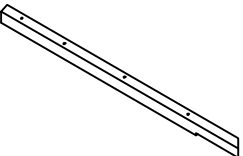
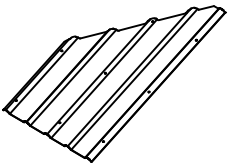
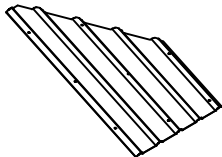
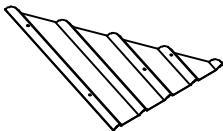
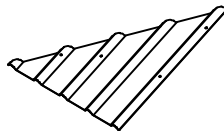
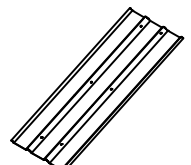



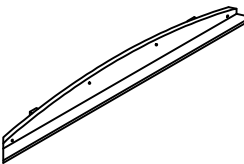
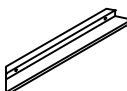
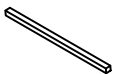
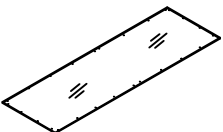
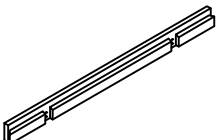
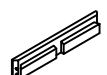
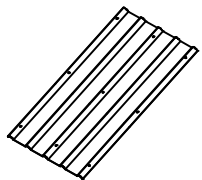
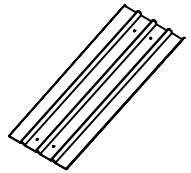

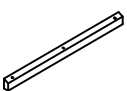






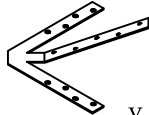

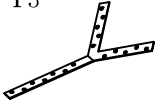


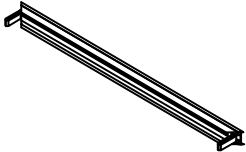
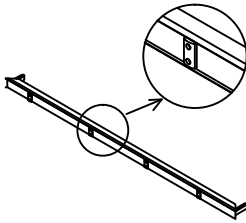
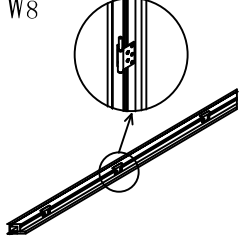

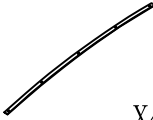
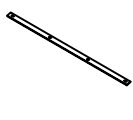
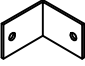
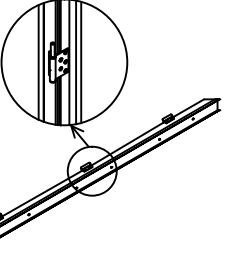
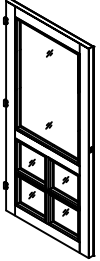

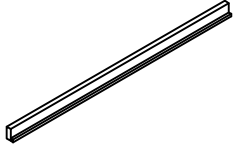





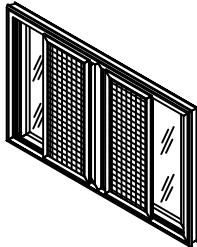
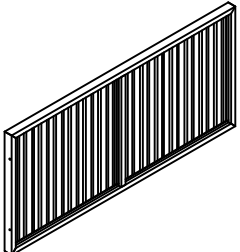




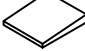




ASSEMBLY INSTRUCTION FOR 12'X18' ULTRAWOOD GAZEBO



ASSEMBLY INSTRUCTION FOR 12'X18' ULTRAWOOD GAZEBO

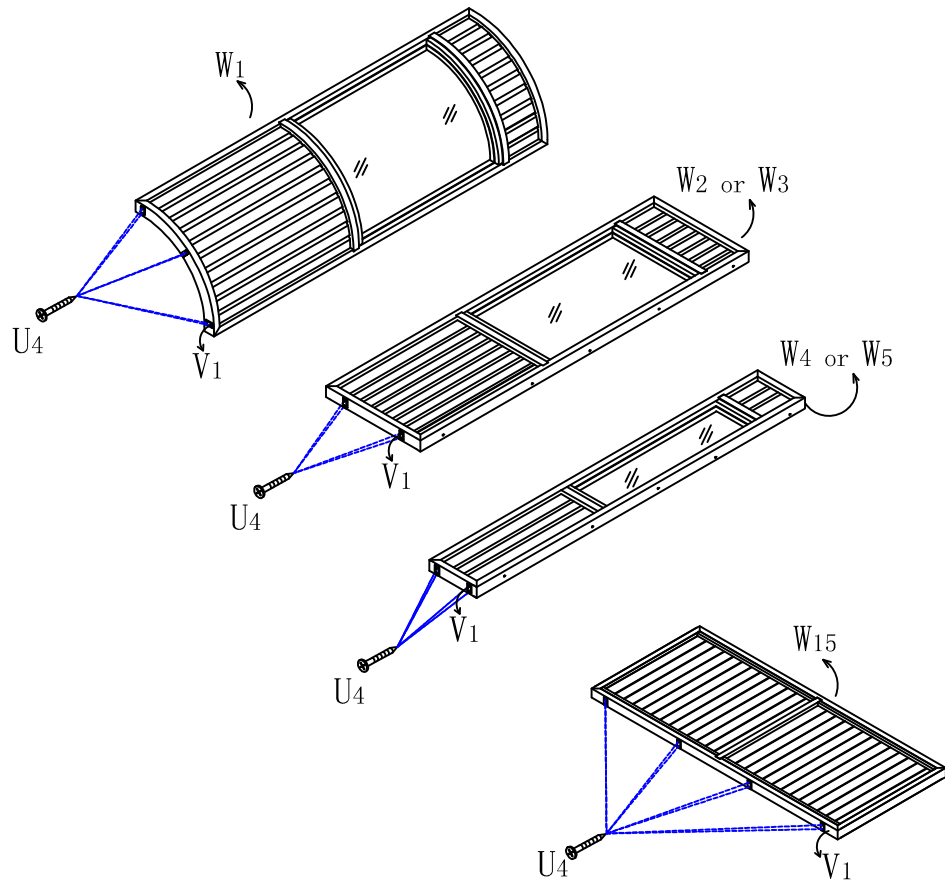
<p>A</p>  <p>SIZE: 1670 X 80 X 70MM 65$\frac{3}{4}$" X 3" X 2$\frac{3}{4}$"</p> <p>X8</p>	<p>B</p>  <p>SIZE: 2270 X 90 X 70MM 89$\frac{3}{8}$" X 3$\frac{1}{2}$" X 2$\frac{3}{4}$"</p> <p>X4</p>	<p>C</p>  <p>SIZE: 1890 X 60 X 35MM 74$\frac{1}{16}$" X 2$\frac{3}{8}$" X 1$\frac{3}{8}$"</p> <p>X2</p>	<p>C1</p>  <p>SIZE: 1765 X 60 X 35MM 69$\frac{1}{2}$" X 2$\frac{3}{8}$" X 1$\frac{3}{8}$"</p> <p>X2</p>	<p>C2</p>  <p>SIZE: 1765 X 60 X 35MM 69$\frac{1}{2}$" X 2$\frac{3}{8}$" X 1$\frac{3}{8}$"</p> <p>X6</p>	<p>D</p>  <p>SIZE: 590 X 90 X 35MM 23$\frac{1}{16}$" X 3$\frac{1}{2}$" X 1$\frac{3}{8}$"</p> <p>X4</p>	
<p>D1</p>  <p>SIZE: 180 X 90 X 35MM 7" X 3$\frac{1}{2}$" X 1$\frac{3}{8}$"</p> <p>X4</p>	<p>E</p>  <p>SIZE: 1190 X 60 X 35MM 46$\frac{7}{8}$" X 2$\frac{3}{8}$" X 1$\frac{3}{8}$"</p> <p>X4</p>	<p>F</p>  <p>SIZE: 1190 X 60 X 35MM 46$\frac{7}{8}$" X 2$\frac{3}{8}$" X 1$\frac{3}{8}$"</p> <p>X4</p>	<p>G</p>  <p>SIZE: 704 X 60 X 35MM 27$\frac{11}{16}$" X 2$\frac{3}{8}$" X 1$\frac{3}{8}$"</p> <p>X4</p>	<p>H</p>  <p>SIZE: 704 X 60 X 35MM 27$\frac{11}{16}$" X 2$\frac{3}{8}$" X 1$\frac{3}{8}$"</p> <p>X4</p>	<p>I</p>  <p>SIZE: 1660 X 70 X 35MM 65$\frac{5}{8}$" X 2$\frac{3}{4}$" X 1$\frac{3}{8}$"</p> <p>X4</p>	
<p>J</p>  <p>SIZE: 1660 X 70 X 35MM 65$\frac{5}{8}$" X 2$\frac{3}{4}$" X 1$\frac{3}{8}$"</p> <p>X4</p>	<p>K</p>  <p>SIZE: 1710 X 880 X 30MM 67$\frac{5}{16}$" X 34$\frac{5}{8}$" X 1$\frac{1}{16}$"</p> <p>X4</p>	<p>L</p>  <p>SIZE: 1710 X 880 X 30MM 67$\frac{5}{16}$" X 34$\frac{5}{8}$" X 1$\frac{1}{16}$"</p> <p>X4</p>	<p>M</p>  <p>SIZE: 942 X 862 X 30MM 37" X 34" X 1$\frac{1}{16}$"</p> <p>X4</p>	<p>N</p>  <p>SIZE: 942 X 862 X 30MM 37" X 34" X 1$\frac{1}{16}$"</p> <p>X4</p>	<p>N1</p>  <p>SIZE: 1710 X 600 X 30MM 67$\frac{5}{16}$" X 23$\frac{3}{8}$" X 1$\frac{1}{16}$"</p> <p>X2</p>	
<p>O</p>  <p>SIZE: 720 X 115 X 50MM 28$\frac{3}{8}$" X 4$\frac{1}{2}$" X 2"</p> <p>X4</p>	<p>P</p>  <p>SIZE: 835 X 115 X 50MM 33" X 4$\frac{1}{2}$" X 2"</p> <p>X4</p>	<p>P1</p>  <p>SIZE: 1050 X 115 X 50MM 41$\frac{1}{16}$" X 4$\frac{1}{2}$" X 2"</p> <p>X4</p>	<p>Q</p>  <p>SIZE: 2797 X 228 X 100MM 110$\frac{1}{8}$" X 9" X 4"</p> <p>X2</p>	<p>Q1</p>  <p>SIZE: 1007 X 107 X 100MM 39$\frac{5}{8}$" X 4$\frac{1}{4}$" X 4"</p> <p>X2</p>	<p>Q2</p>  <p>SIZE: 805 X 35 X 35MM 31$\frac{11}{16}$" X 1$\frac{3}{8}$" X 1$\frac{3}{8}$"</p> <p>X2</p>	
<p>R</p>  <p>SIZE: 2700 X 875 X 3MM 106$\frac{5}{16}$" X 34$\frac{1}{8}$" X $\frac{1}{16}$"</p> <p>X1</p>	<p>S1</p>  <p>SIZE: 2538 X 140 X 60MM 76$\frac{3}{4}$" X 5$\frac{1}{2}$" X 2$\frac{3}{8}$"</p> <p>X2</p>	<p>S2</p>  <p>SIZE: 800 X 140 X 60MM 31$\frac{1}{2}$" X 5$\frac{1}{2}$" X 2$\frac{3}{8}$"</p> <p>X2</p>	<p>S3</p>  <p>SIZE: 1710 X 880 X 30MM 67$\frac{5}{16}$" X 34$\frac{5}{8}$" X 1$\frac{1}{16}$"</p> <p>X4</p>	<p>S4</p>  <p>SIZE: 1710 X 780 X 30MM 67$\frac{5}{16}$" X 30$\frac{1}{16}$" X 1$\frac{1}{16}$"</p> <p>X2</p>	<p>S5</p>  <p>SIZE: 895 X 60 X 35MM 35$\frac{1}{4}$" X 2$\frac{3}{8}$" X 1$\frac{3}{8}$"</p> <p>X8</p>	<p>S6</p>  <p>SIZE: 823 X 70 X 35MM 32$\frac{3}{8}$" X 2$\frac{3}{4}$" X 1$\frac{3}{8}$"</p> <p>X4</p>

ASSEMBLY INSTRUCTION FOR 12'X18' ULTRAWOOD GAZEBO

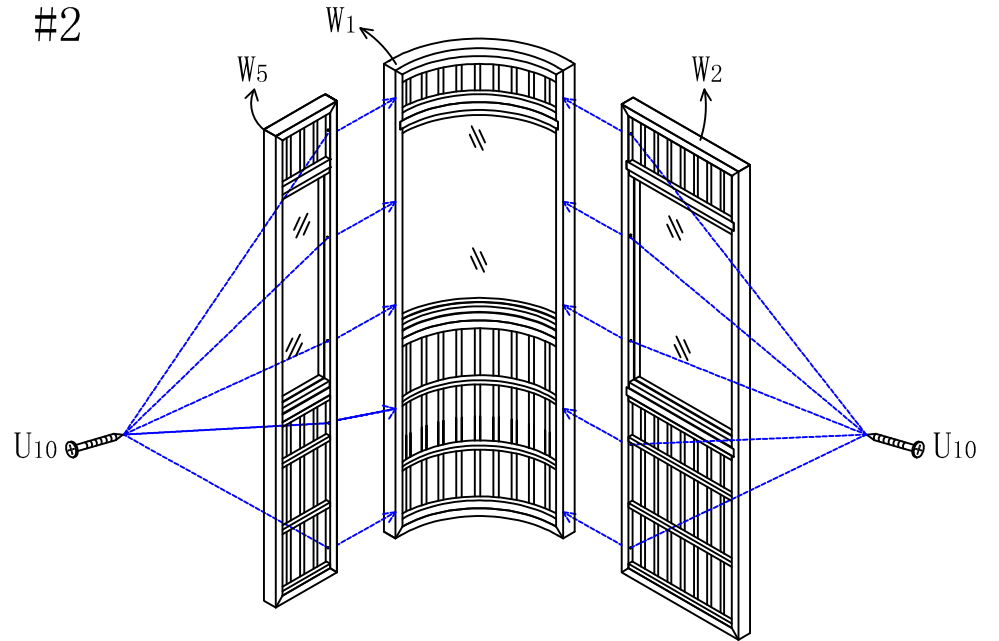
<p>W1</p>  <p>SIZE: 693X60X2080MM 27$\frac{1}{4}$" X 2$\frac{3}{8}$" X 81$\frac{7}{8}$" X4</p>	<p>W2</p>  <p>SIZE: 600X60X2080MM 23$\frac{3}{8}$" X 2$\frac{3}{8}$" X 81$\frac{7}{8}$" X4</p>	<p>W3</p>  <p>SIZE: 600X60X2080MM 23$\frac{3}{8}$" X 2$\frac{3}{8}$" X 81$\frac{7}{8}$" X4</p>	<p>W4</p>  <p>SIZE: 305X60X2080MM 12" X 2$\frac{3}{8}$" X 81$\frac{7}{8}$" X2</p>	<p>T1</p>  <p>X4</p>	<p>T2</p>  <p>X8</p>	<p>T3</p>  <p>X4</p>	<p>T5</p>  <p>X4</p>
<p>W5</p>  <p>SIZE: 305X60X2080MM 12" X 2$\frac{3}{8}$" X 81$\frac{7}{8}$" X2</p>	<p>W6</p>  <p>SIZE: 1837X65X45MM 72$\frac{3}{8}$" X 2$\frac{9}{16}$" X 1$\frac{3}{4}$" X1</p>	<p>W7</p>  <p>SIZE: 1837X65X45MM 72$\frac{3}{8}$" X 2$\frac{9}{16}$" X 1$\frac{3}{4}$" X1</p>	<p>W8</p>  <p>SIZE: 1995X65X45MM 78$\frac{9}{16}$" X 2$\frac{9}{16}$" X 1$\frac{3}{4}$" X1</p>	<p>T6</p>  <p>X4</p>	<p>T7</p>  <p>X4</p>	<p>T8</p>  <p>X2</p>	<p>T9</p>  <p>X4</p>
<p>W9</p>  <p>SIZE: 1995X65X45MM 78$\frac{9}{16}$" X 2$\frac{9}{16}$" X 1$\frac{3}{4}$" X1</p>	<p>W10</p>  <p>SIZE: 900X35X1932MM 35$\frac{3}{8}$" X 1$\frac{3}{8}$" X 76$\frac{3}{8}$" X1</p>	<p>W11</p>  <p>SIZE: 900X35X1932MM 35$\frac{3}{8}$" X 1$\frac{3}{8}$" X 76$\frac{3}{8}$" X1</p>	<p>W12</p>  <p>SIZE: 1900X59X90MM 74$\frac{3}{4}$" X 2$\frac{3}{8}$" X 3$\frac{1}{2}$" X1</p>	<p>T10</p>  <p>8-ϕ 8X50MM SIZE: $\frac{5}{16}$" X 2" X2</p>	<p>T11</p>  <p>X2</p>	<p>T12</p>  <p>X1</p>	<p>T13</p>  <p>X2</p>
<p>W13</p>  <p>SIZE: 60X35X1990MM 2$\frac{3}{8}$" X 1$\frac{3}{8}$" X 78$\frac{3}{8}$" X2</p>	<p>W14</p>  <p>SIZE: 1930X1230X87MM 76" X 48$\frac{3}{8}$" X 3$\frac{3}{8}$" X3</p>	<p>W15</p>  <p>SIZE: 1900X880X60MM 75$\frac{3}{4}$" X 34$\frac{1}{8}$" X 2$\frac{3}{8}$" X3</p>	<p>U2</p>  <p>40-ϕ 5X75MM SIZE: $\frac{3}{16}$" X 3"</p>	<p>U3</p>  <p>160-ϕ 5X55MM SIZE: $\frac{3}{16}$" X 2$\frac{1}{16}$"</p>	<p>U4</p>  <p>306-ϕ 4X30MM SIZE: $\frac{3}{16}$" X 1$\frac{3}{16}$"</p>	<p>U5</p>  <p>144-ϕ 4X55MM SIZE: $\frac{3}{16}$" X 2$\frac{1}{16}$"</p>	
<p>V</p>  <p>SHIM X15</p>	<p>V1</p>  <p>PLASTIC SPACER PLECE X48</p>	<p>V2</p>  <p>X4</p>	<p>V3</p>  <p>X4</p>	<p>X</p>  <p>1-ϕ 5X30x70MM</p>			

ASSEMBLY INSTRUCTION FOR 12'X18' ULTRAWOOD GAZEBO

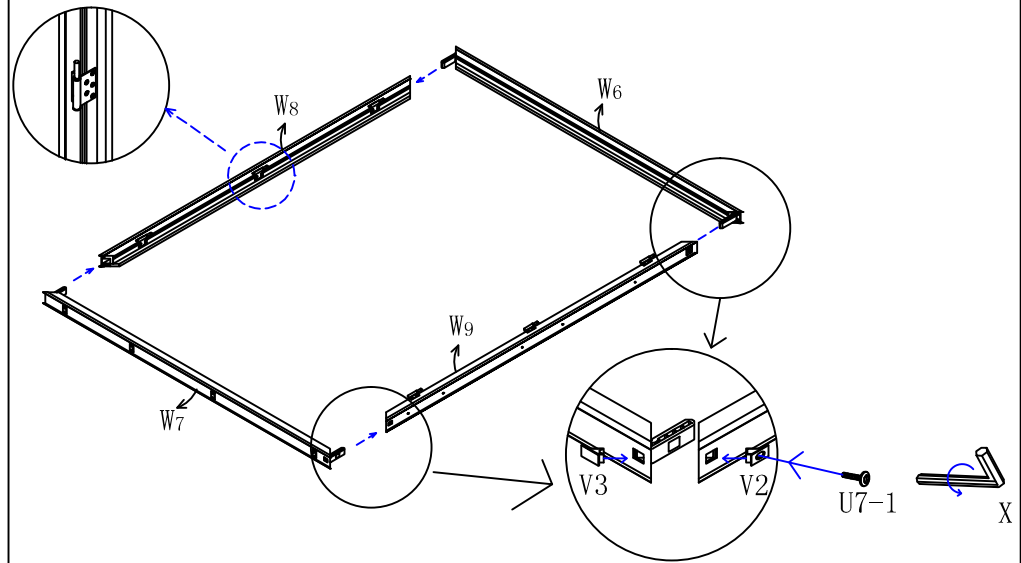
#1



#2

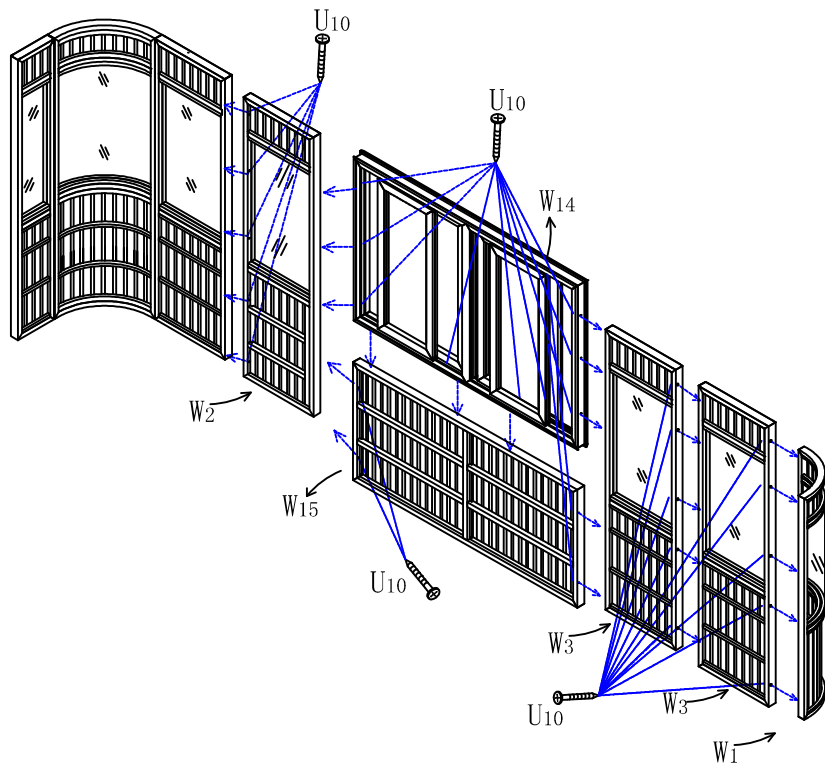


#3

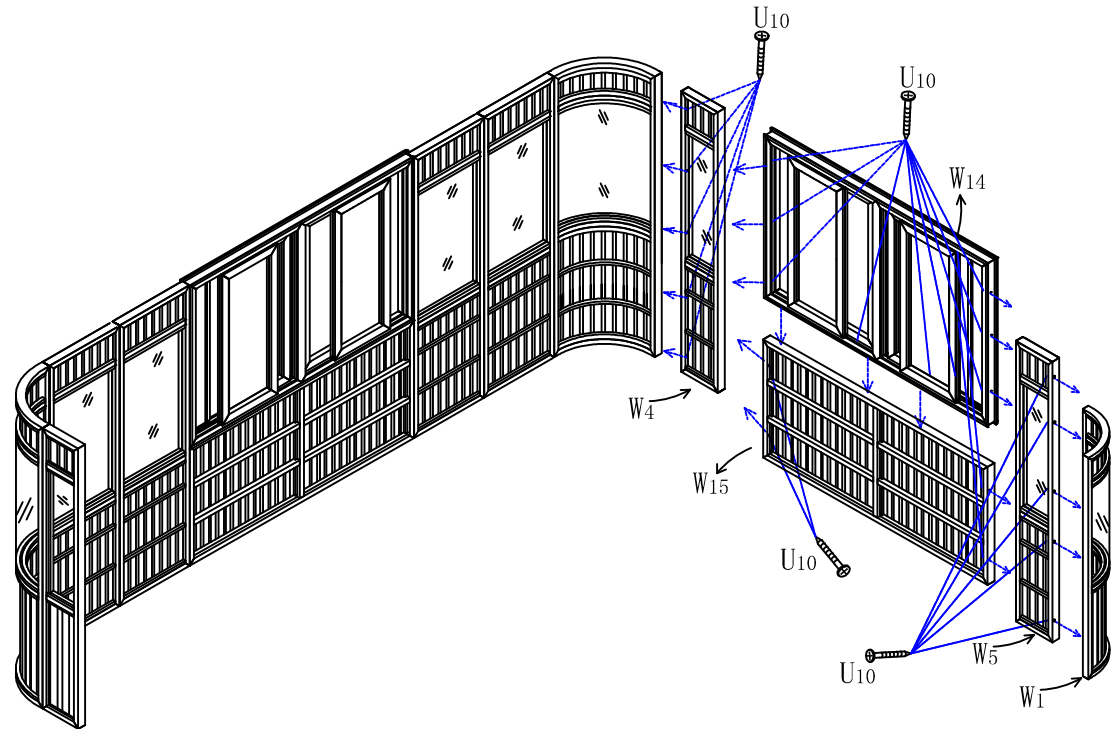


ASSEMBLY INSTRUCTION FOR 12'X18' ULTRAWOOD GAZEBO

#4

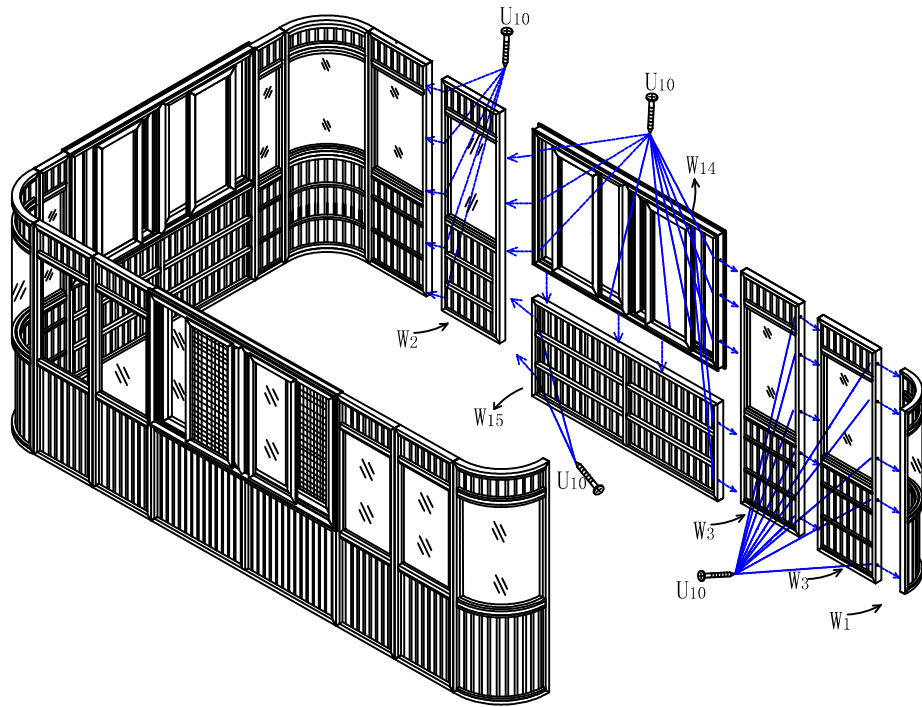


#5

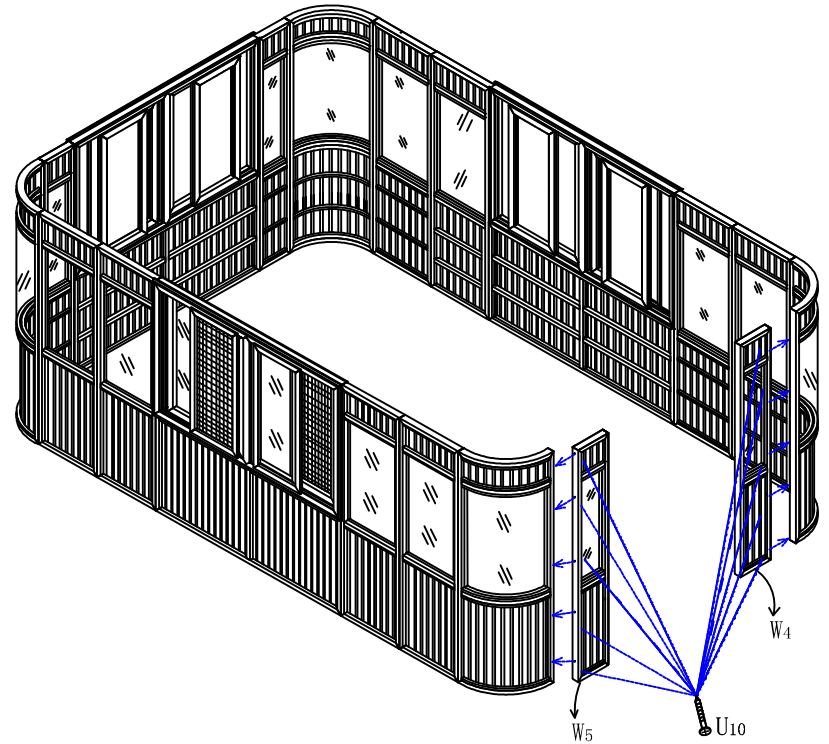


ASSEMBLY INSTRUCTION FOR 12'X18' ULTRAWOOD GAZEBO

#6

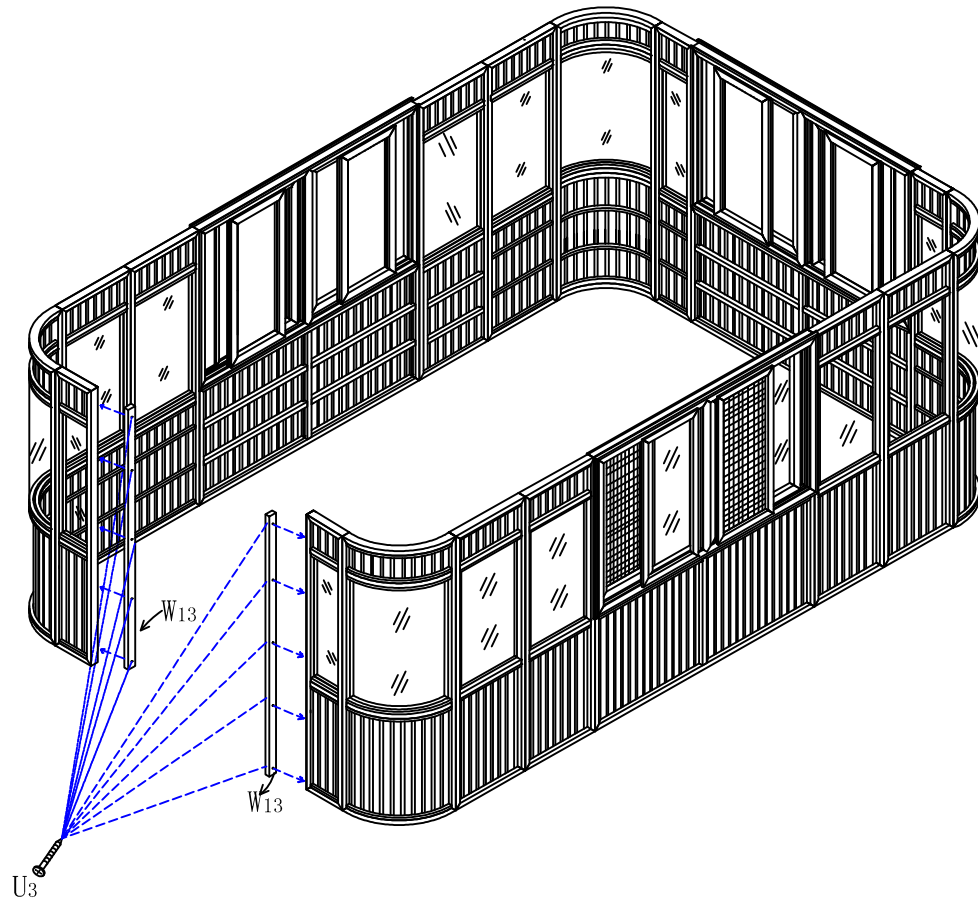


#7

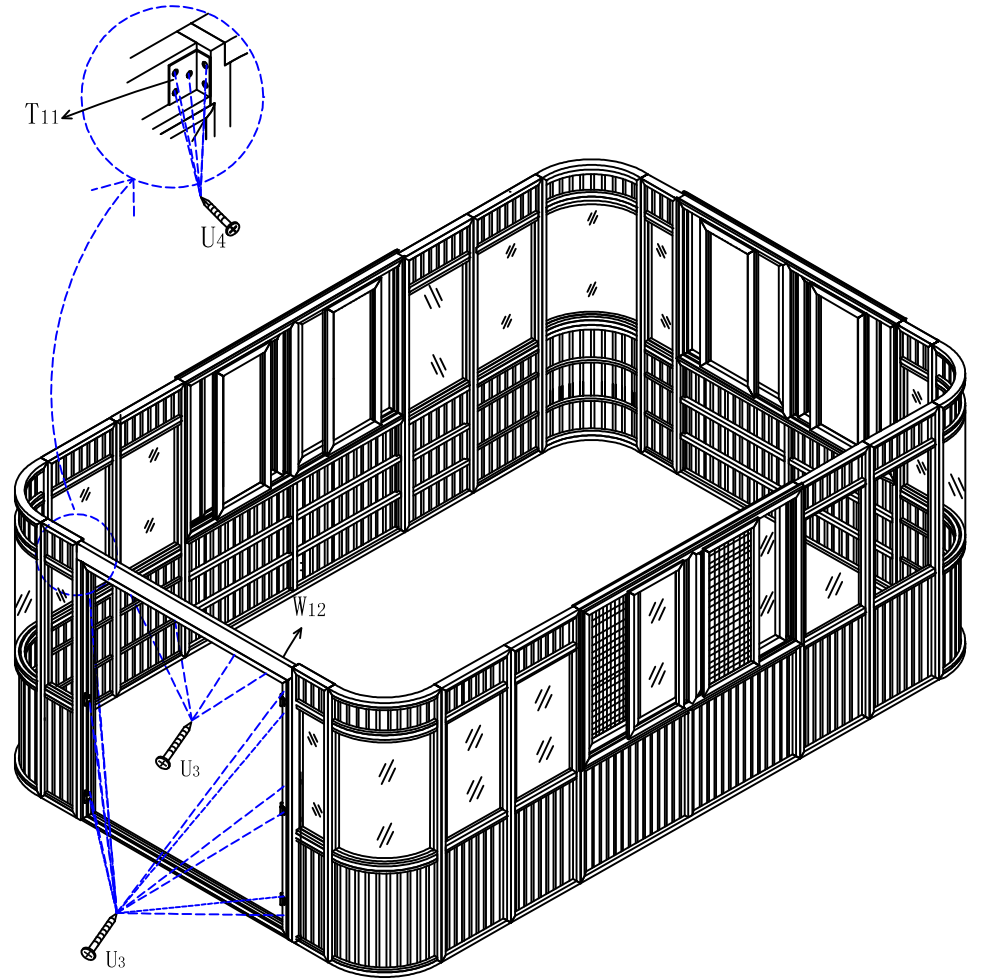


ASSEMBLY INSTRUCTION FOR 12'X18' ULTRAWOOD GAZEBO

#8

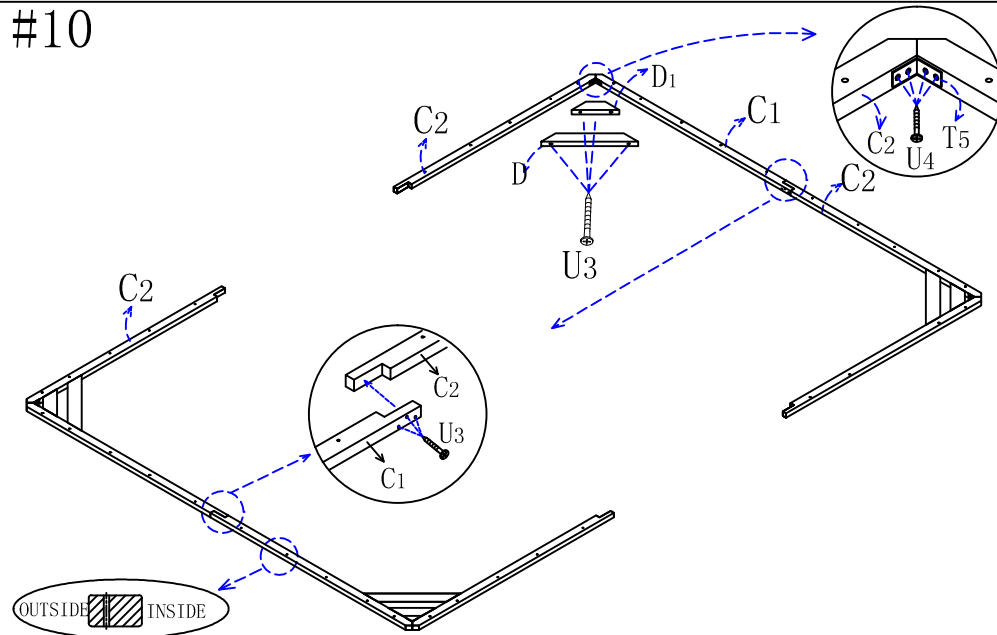


#9

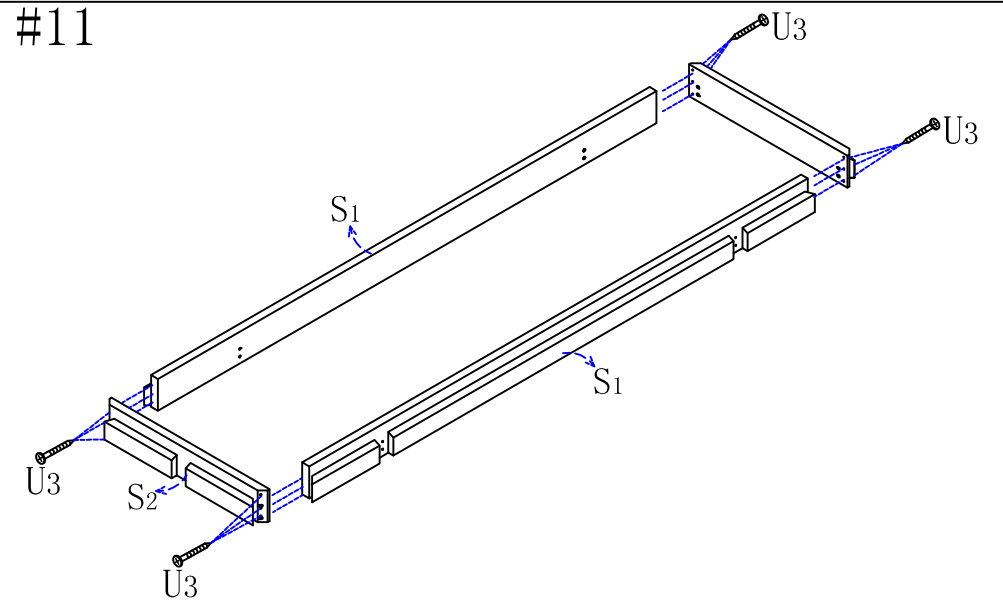


ASSEMBLY INSTRUCTION FOR 12'X18' ULTRAWOOD GAZEBO

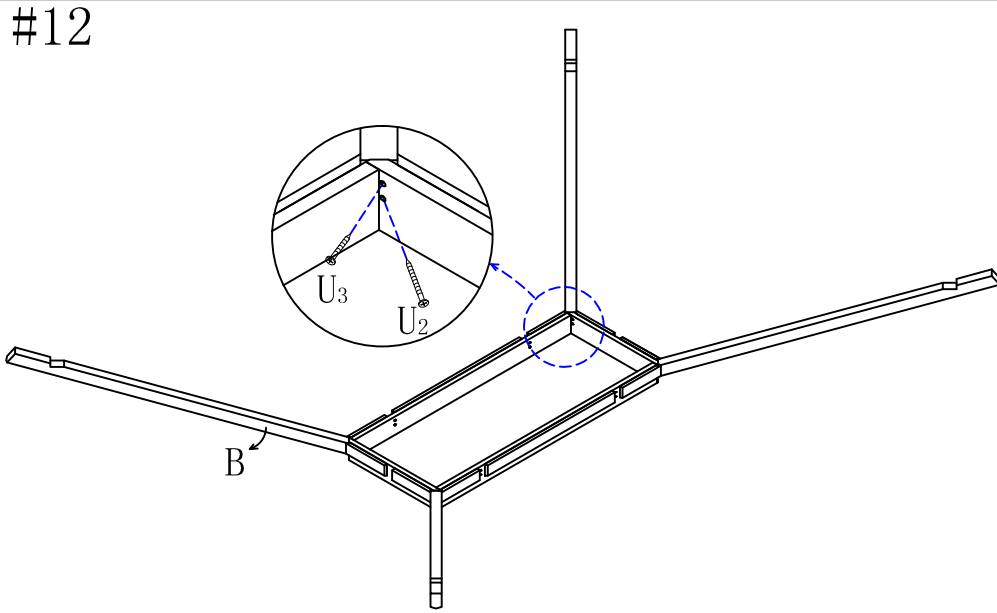
#10



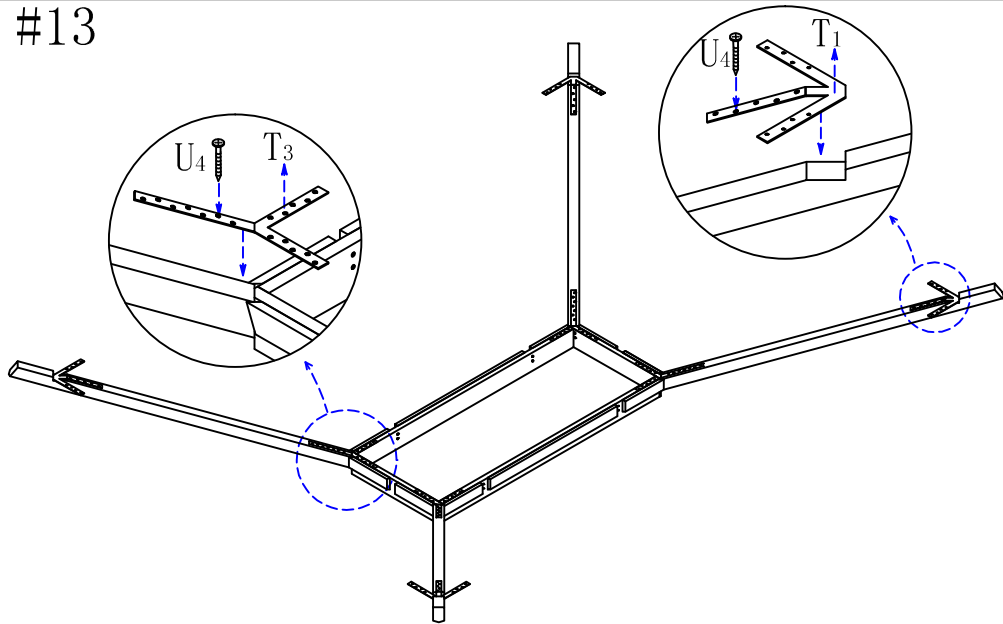
#11



#12

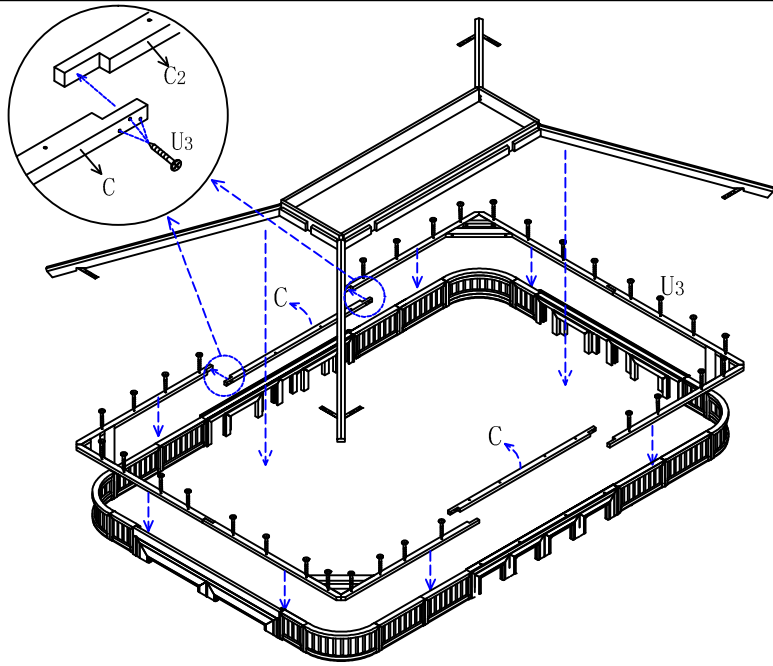


#13

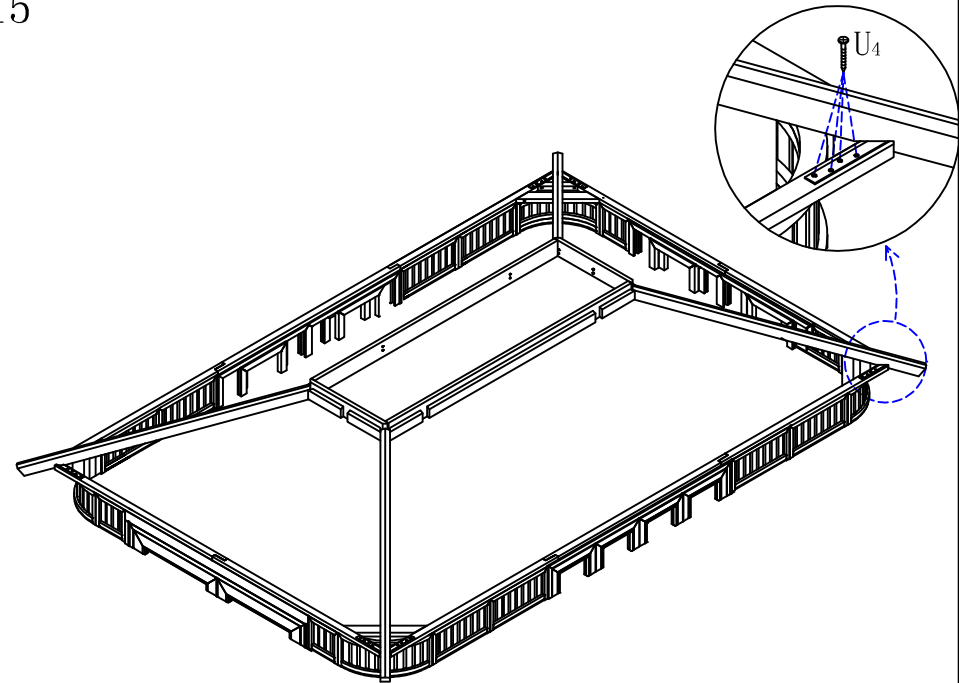


ASSEMBLY INSTRUCTION FOR 12'X18' ULTRAWOOD GAZEBO

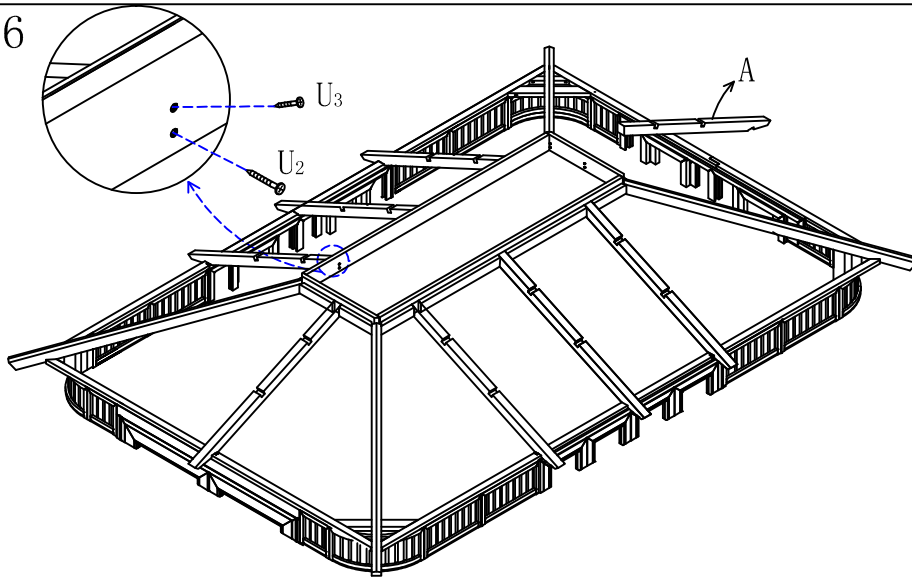
#14



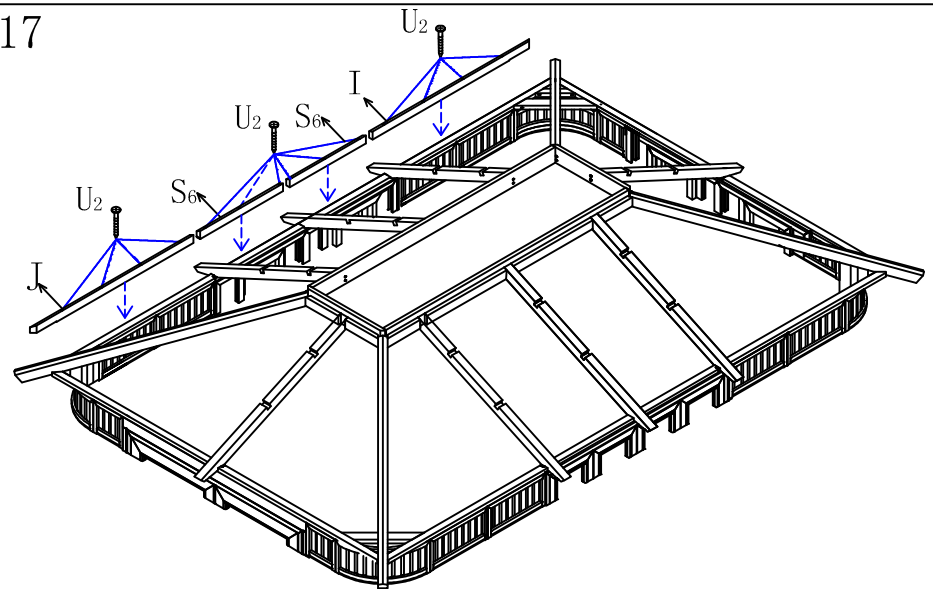
#15



#16

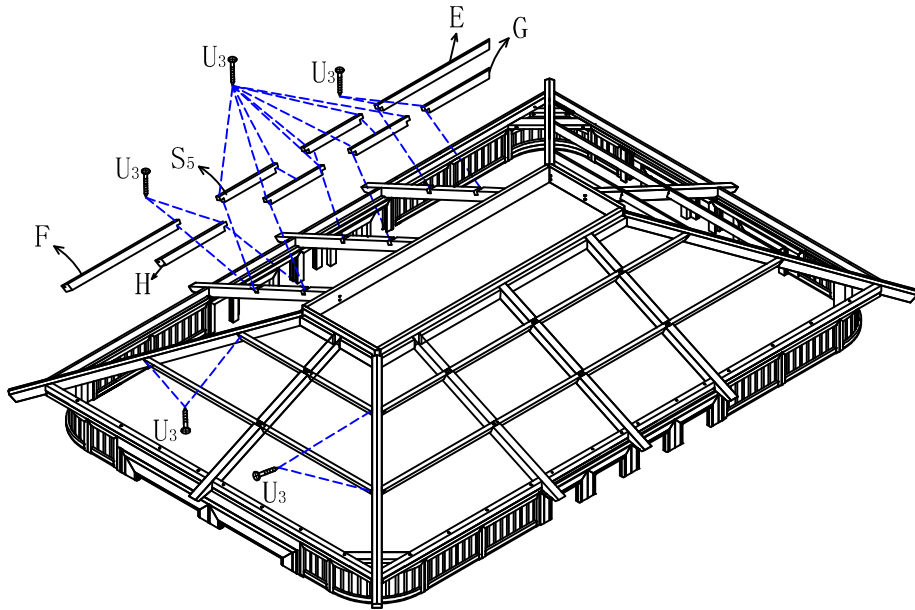


#17

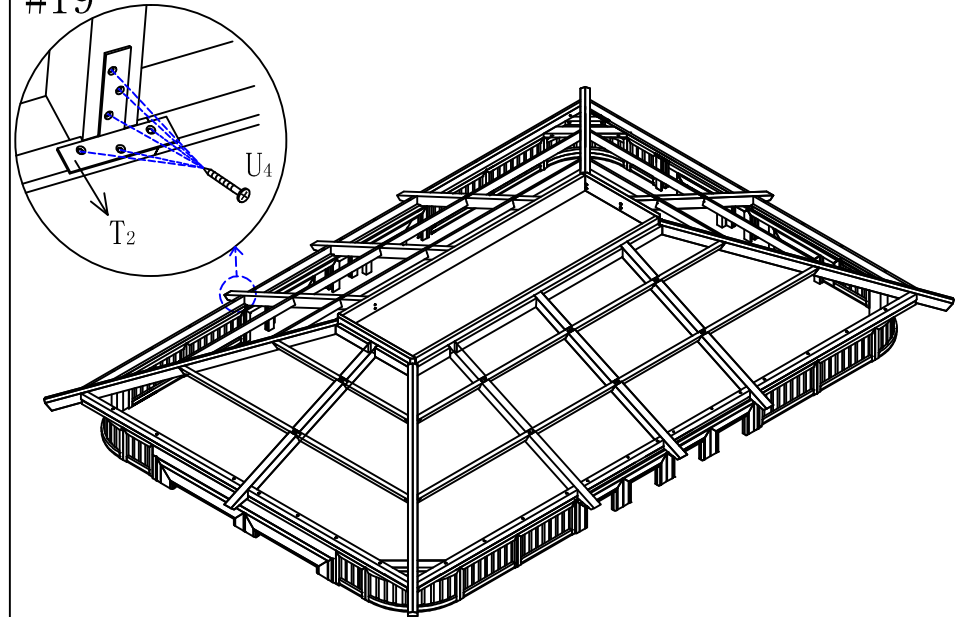


ASSEMBLY INSTRUCTION FOR 12'X18' ULTRAWOOD GAZEBO

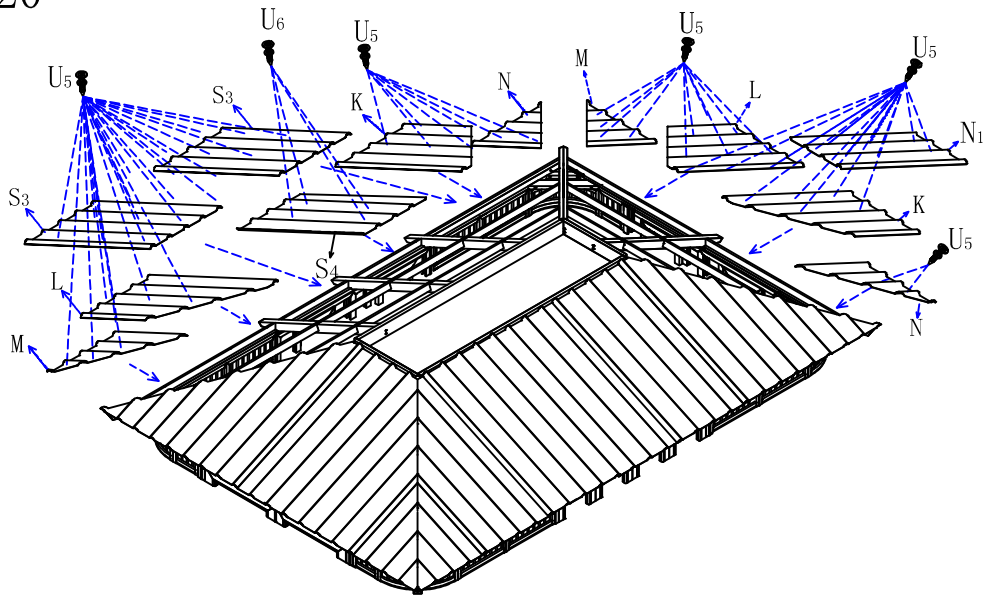
#18



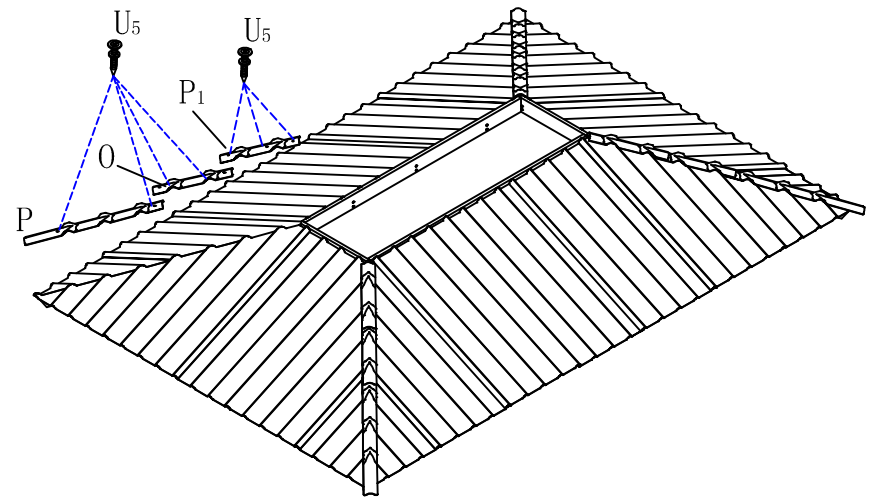
#19



#20

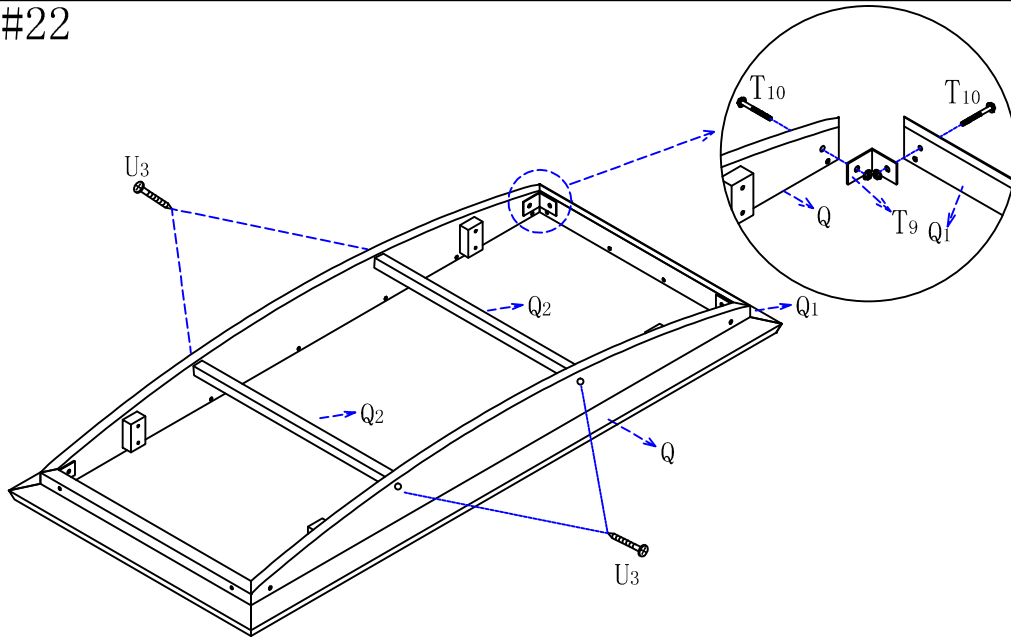


#21

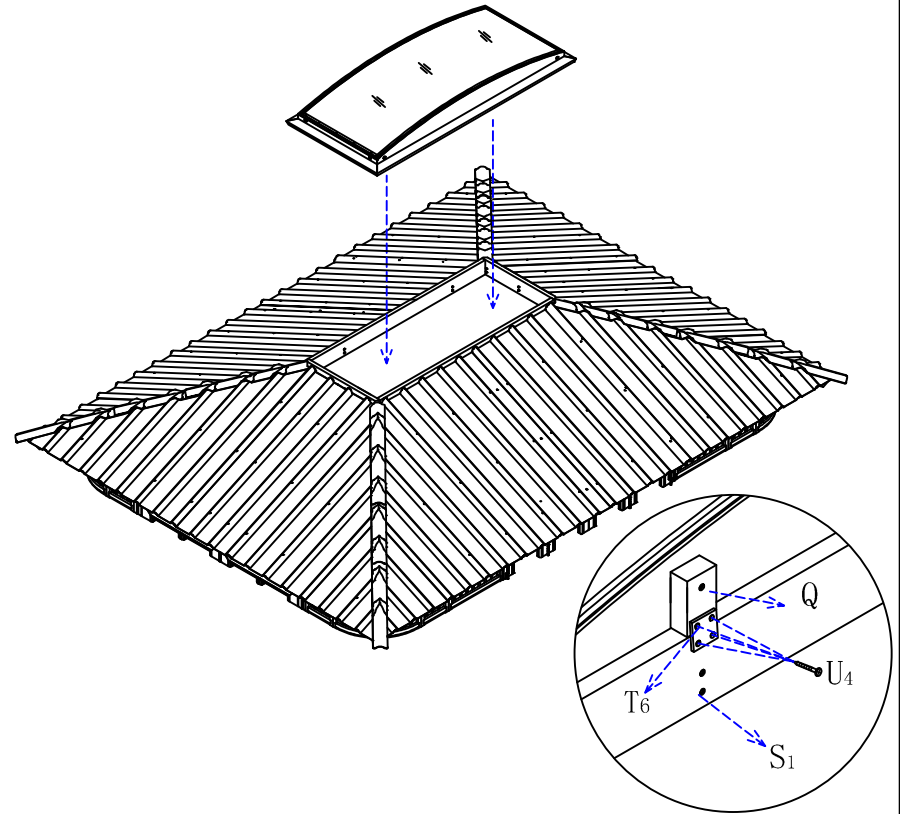


ASSEMBLY INSTRUCTION FOR 12'X18' ULTRAWOOD GAZEBO

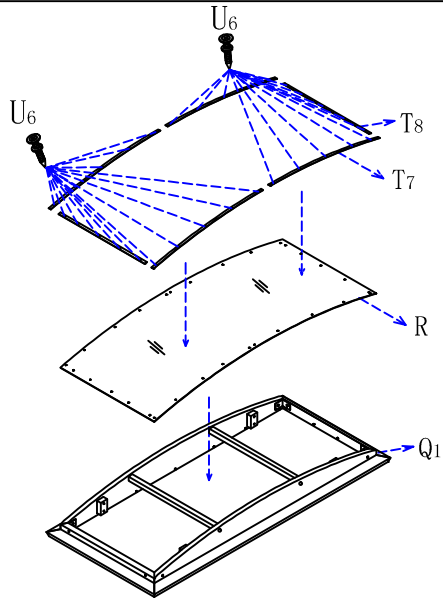
#22



#24

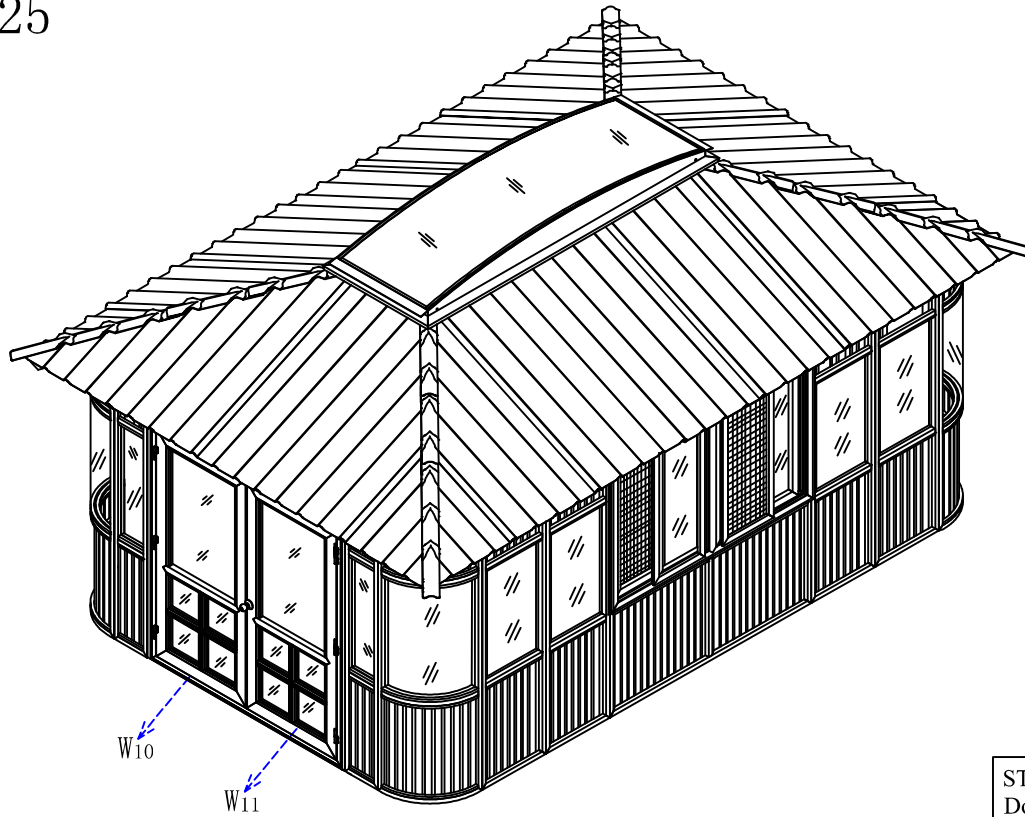


#23

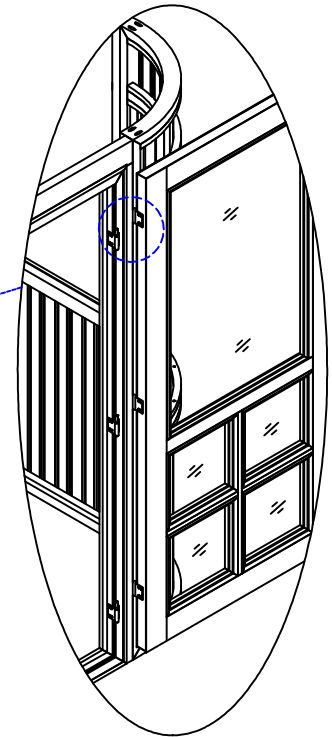
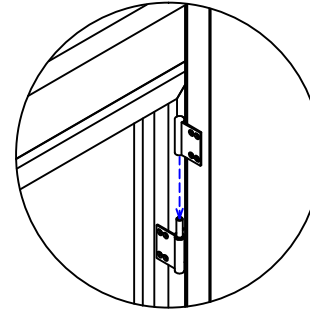


ASSEMBLY INSTRUCTION FOR 12'X18' ULTRAWOOD GAZEBO

#25



Install shims for smooth operation.



W10

W11



Install handle /lock assembly

<p>STEP 1: Door Lock Installation.</p> <p>Remove door lock handle by pressing the knob in the gap for installation.</p>	<p>STEP 2: Remove door lock cover ring and inner lock ring.</p>	<p>STEP 3: Door Lock Handle Installation.</p> <p>Install door lock handle into door hole and lock the end part of the door handle.</p>
<p>STEP 4: Install door lock inner ring with screw that shown.</p>	<p>STEP 5: Door Lock Cover Ring Installation.</p>	<p>STEP 6: Door Lock Handle Installation.</p> <p>Complete the installation by pushing the door lock handle to the inner part of door lock.</p>

ASSEMBLY INSTRUCTION FOR 12'X18' ULTRAWOOD GAZEBO

#26

