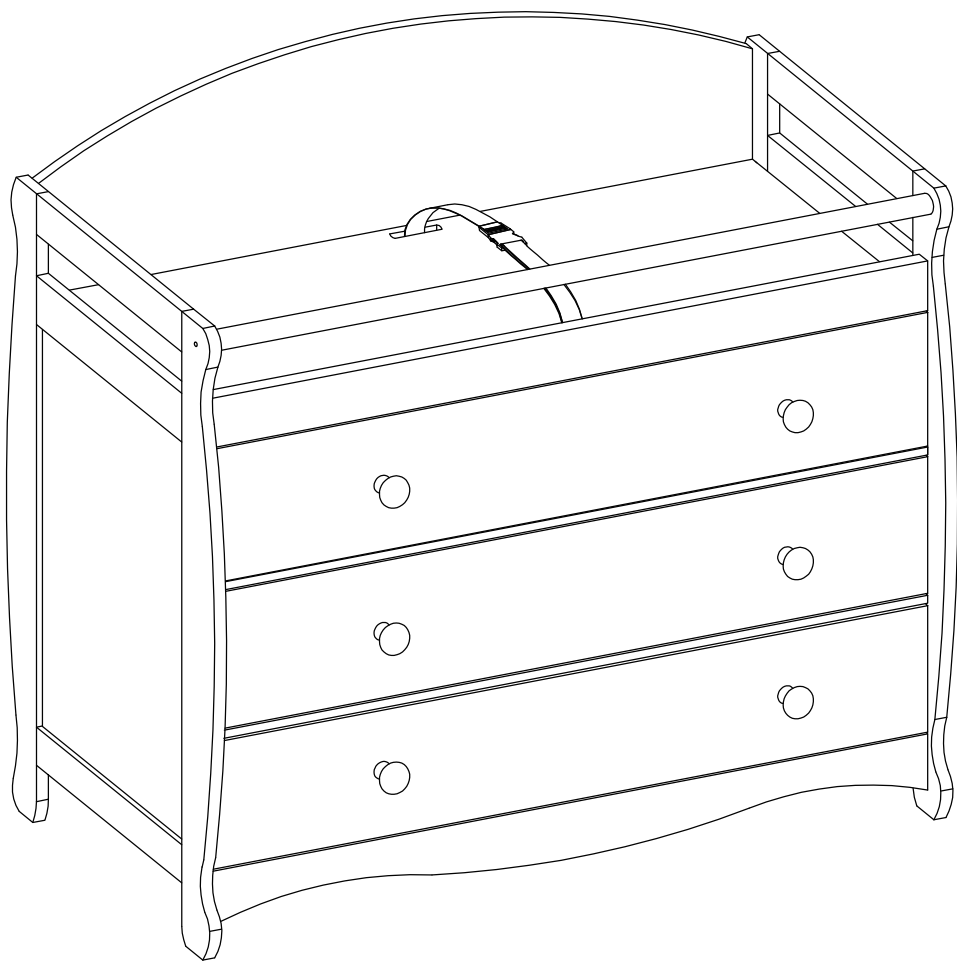
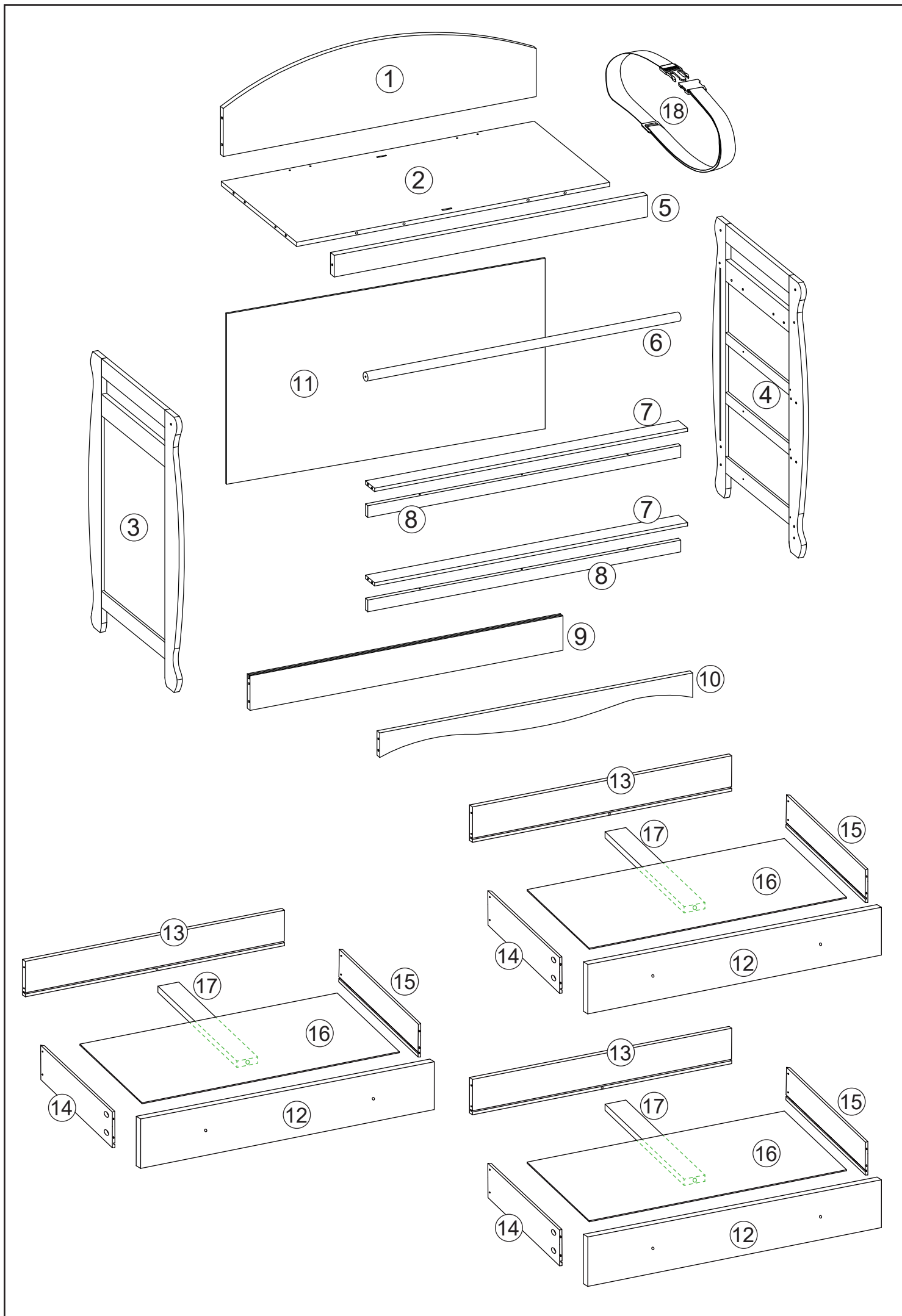
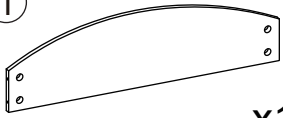
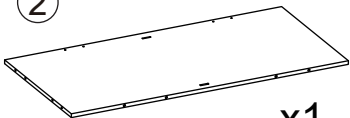
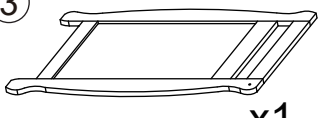
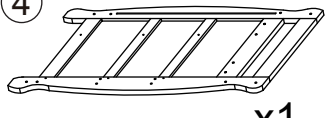






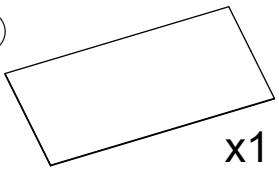
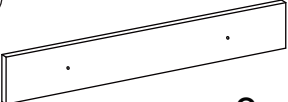
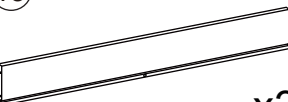
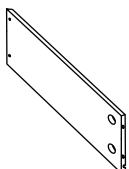
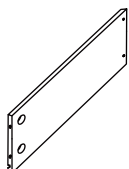

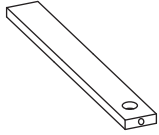



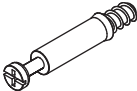

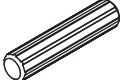

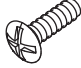
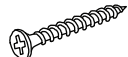

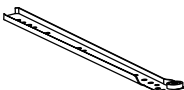


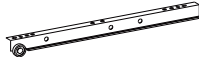




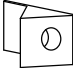


Installation Instructions




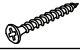


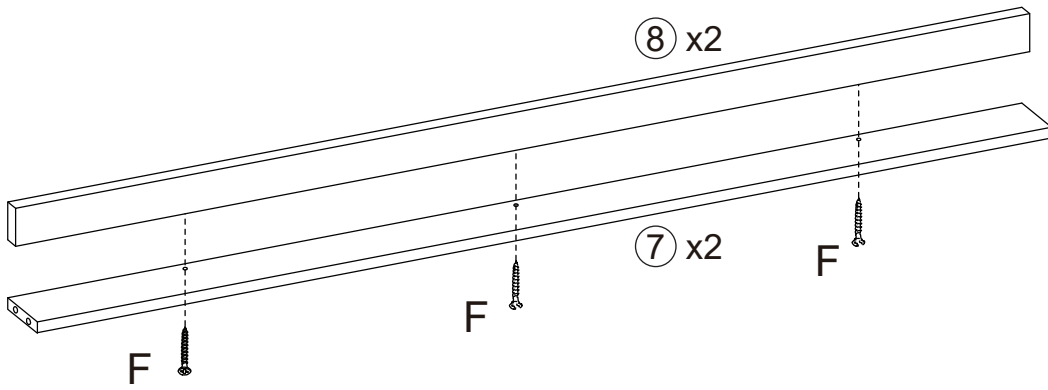
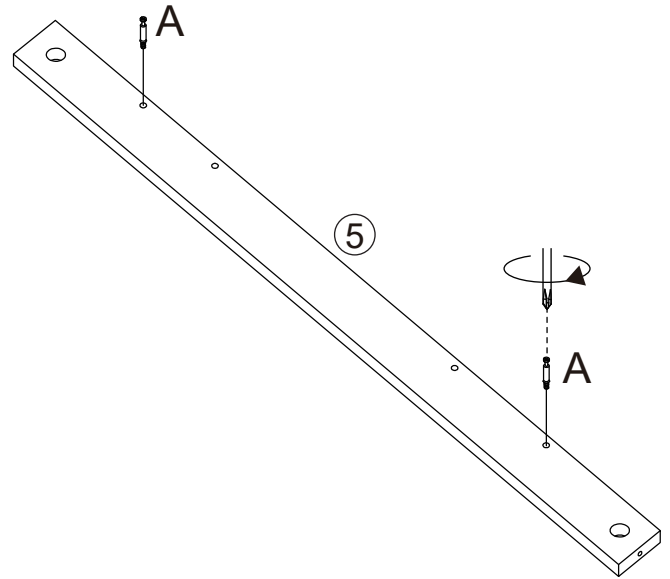
PART AND HARDWARE LIST

①  x1	②  x1	③  x1	④  x1
⑤  x1	⑥  x1	⑦  x2	⑧  x2
⑨  x1	⑩  x1	⑪  x1	⑫  x3
⑬  x3	⑭  x3	⑮  x3	⑯  x3
⑰  x3	⑱  x1		

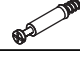



		 6x30mm		 4x14mm	 4x30mm	 3x12mm
Ⓐ x39	Ⓑ x39	Ⓒ x12	Ⓓ x6	Ⓔ x6	Ⓕ x25	Ⓖ x24
						 3.5x40mm
ⒸⓁ x3	ⒸⓇ x3	ⒹⓁ x3	ⒹⓇ x3	Ⓛ x1	Ⓜ x1	Ⓝ x1
		 3x16mm	 4x14mm			
Ⓞ x2	Ⓟ x4	Ⓠ x4	Ⓡ x1			

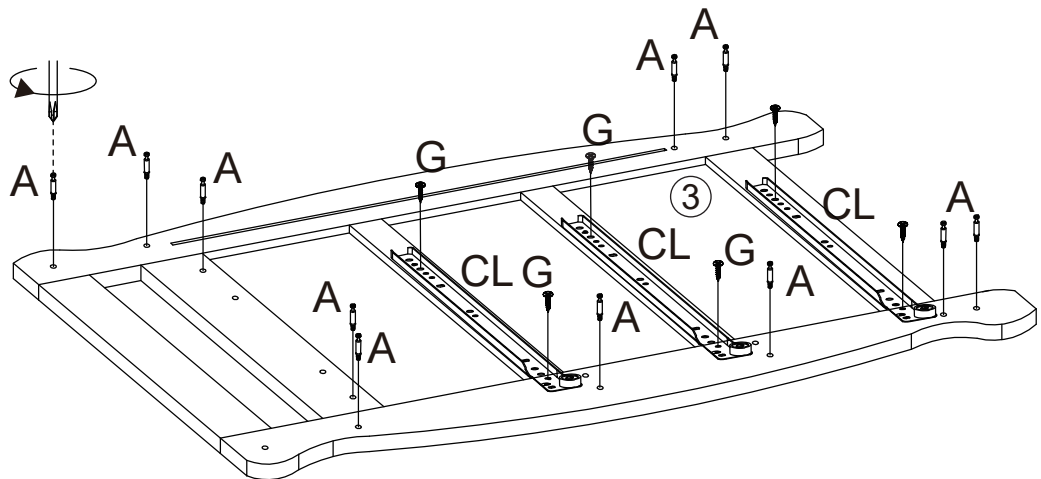
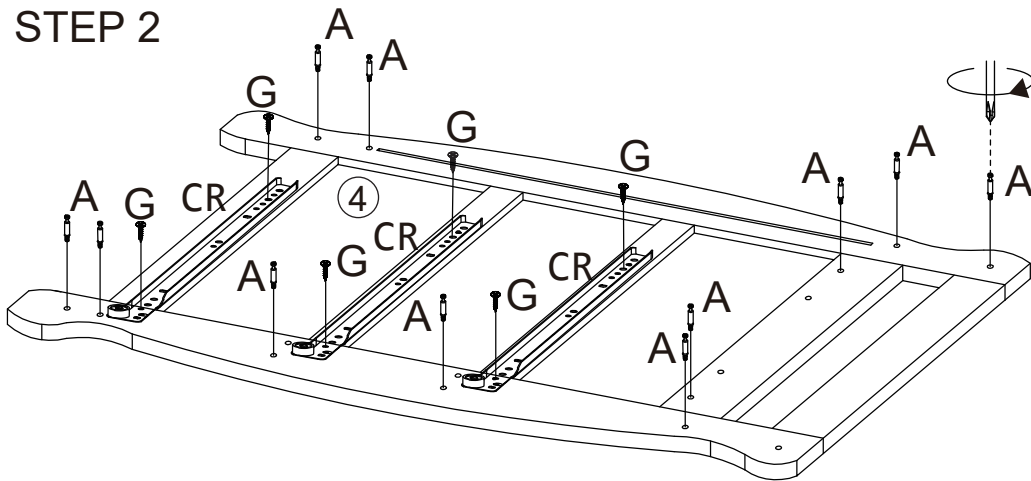
STEP 1

	(A) x 2
	(F) x 6





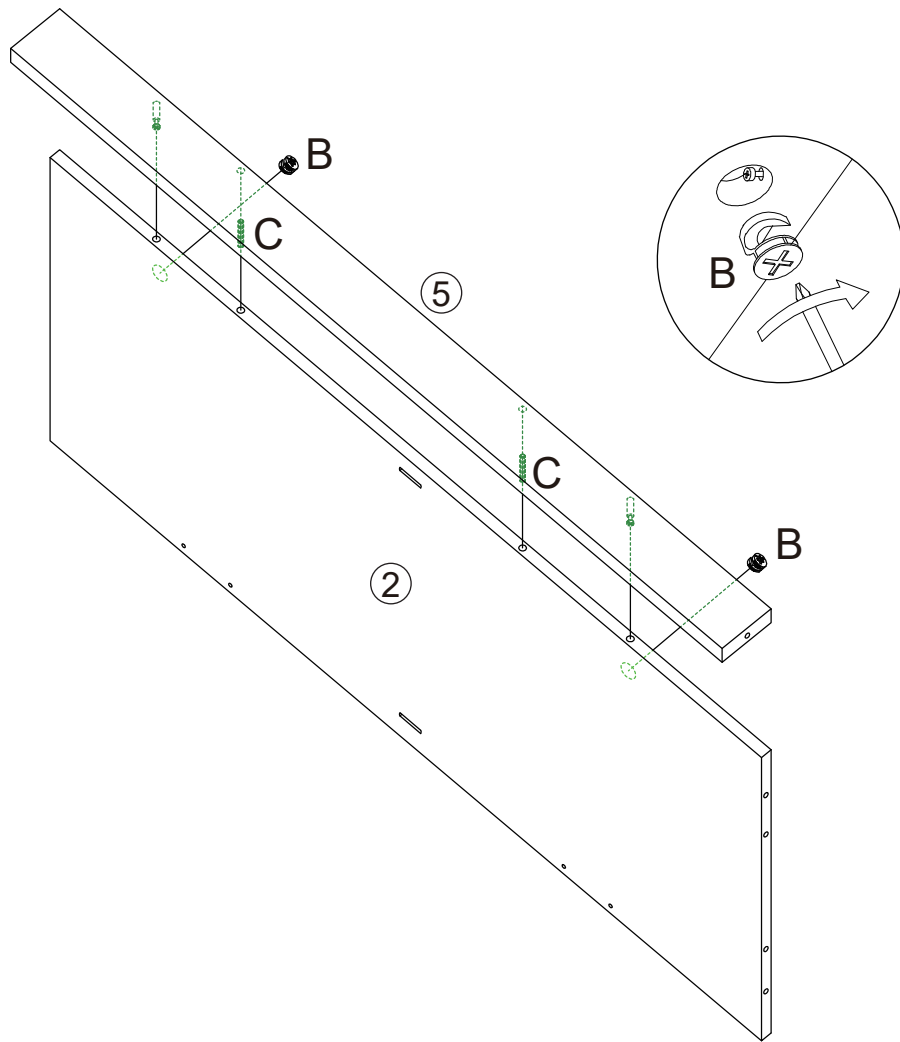
STEP 2

	(A) x 22
	(G) x 12
	CL x 3
	CR x 3





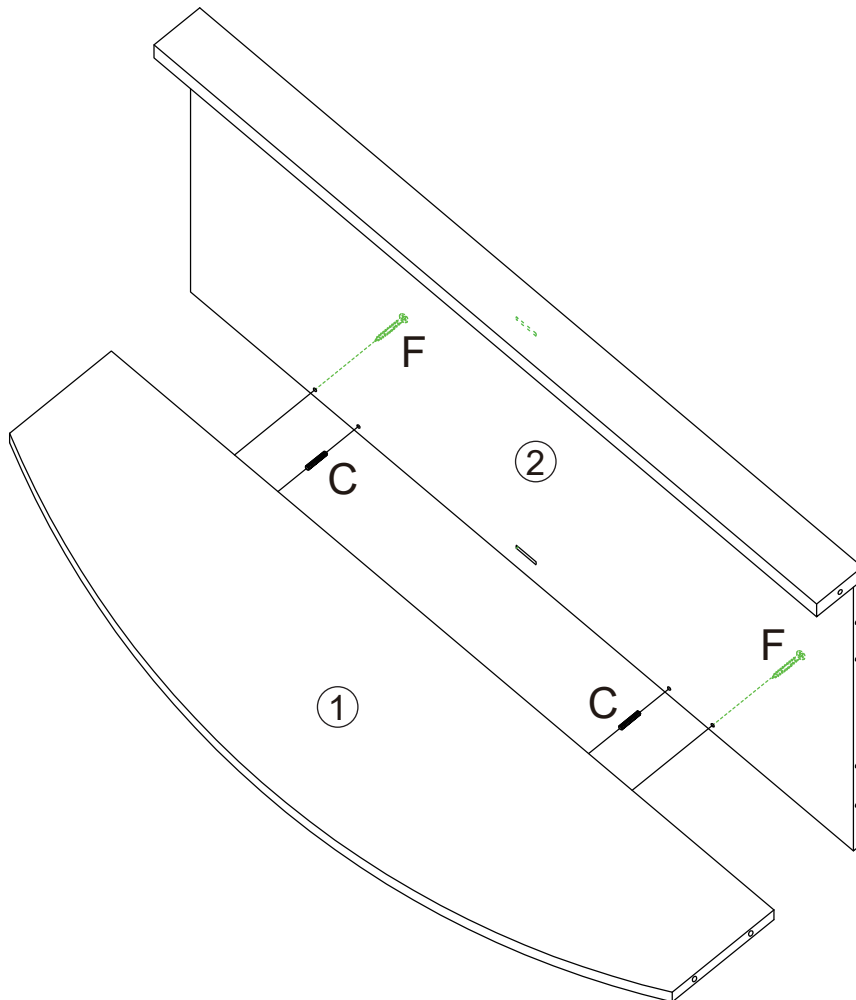
STEP 3

	Ⓑ x 2
	Ⓒ x 2





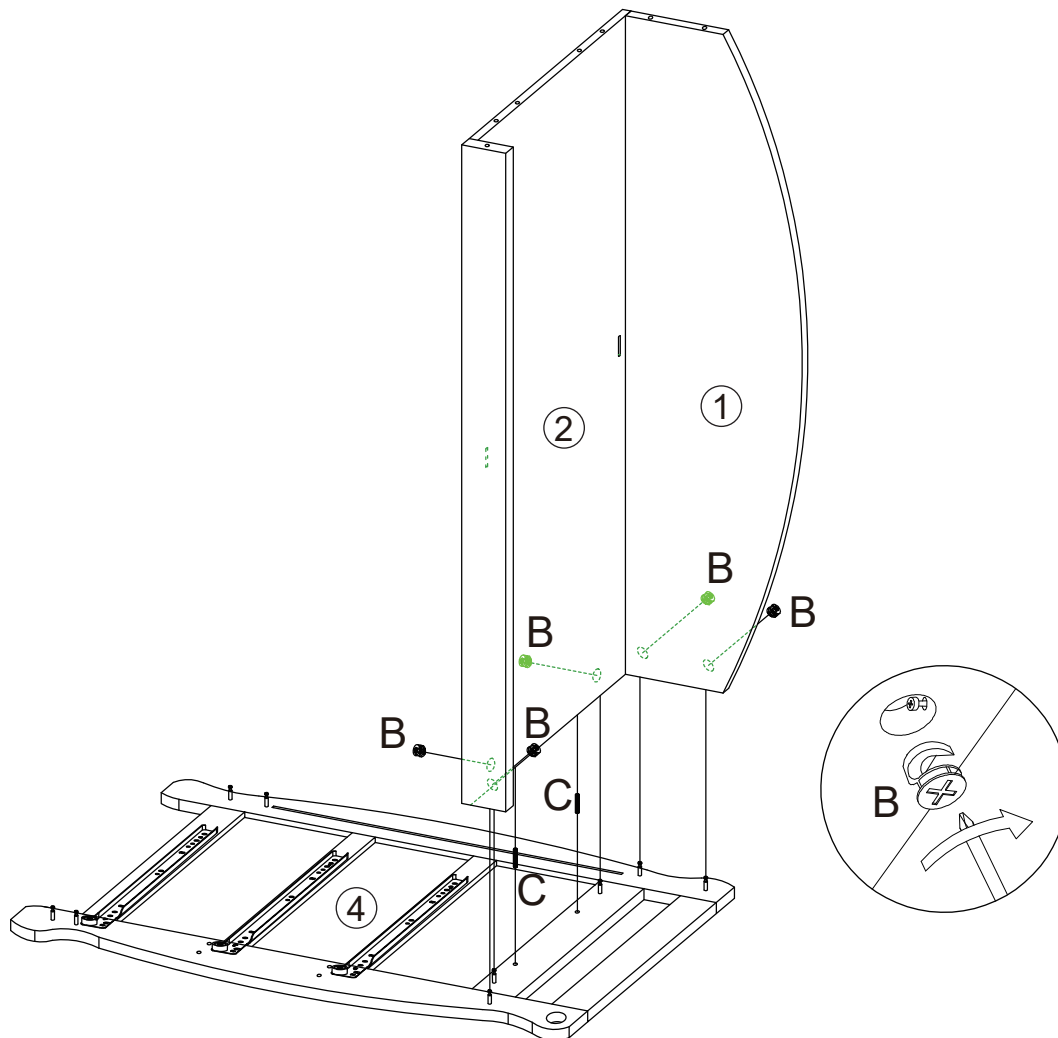
STEP 4

	Ⓒ x 2
	Ⓕ x 2




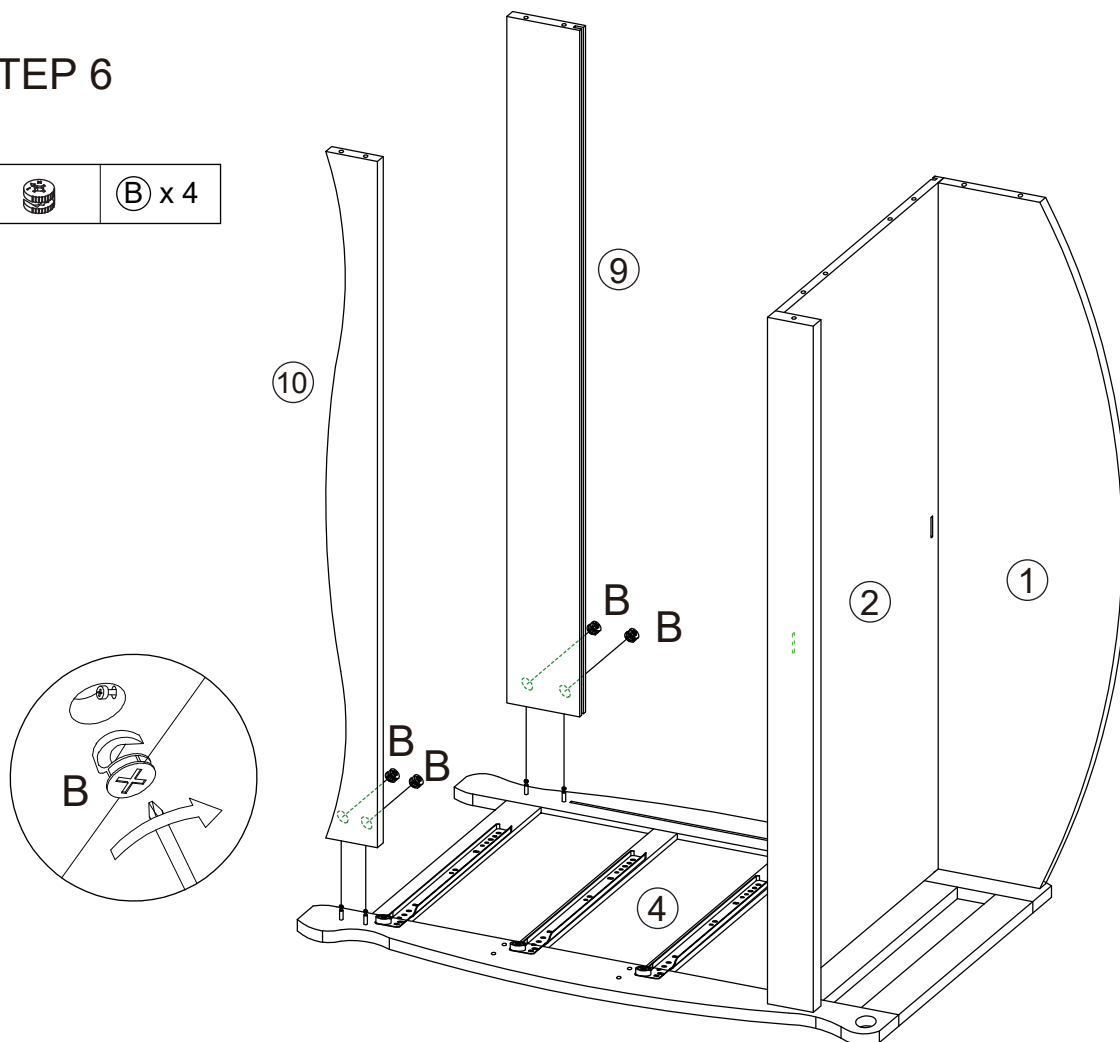
STEP 5

	(B) x 5
	(C) x 2

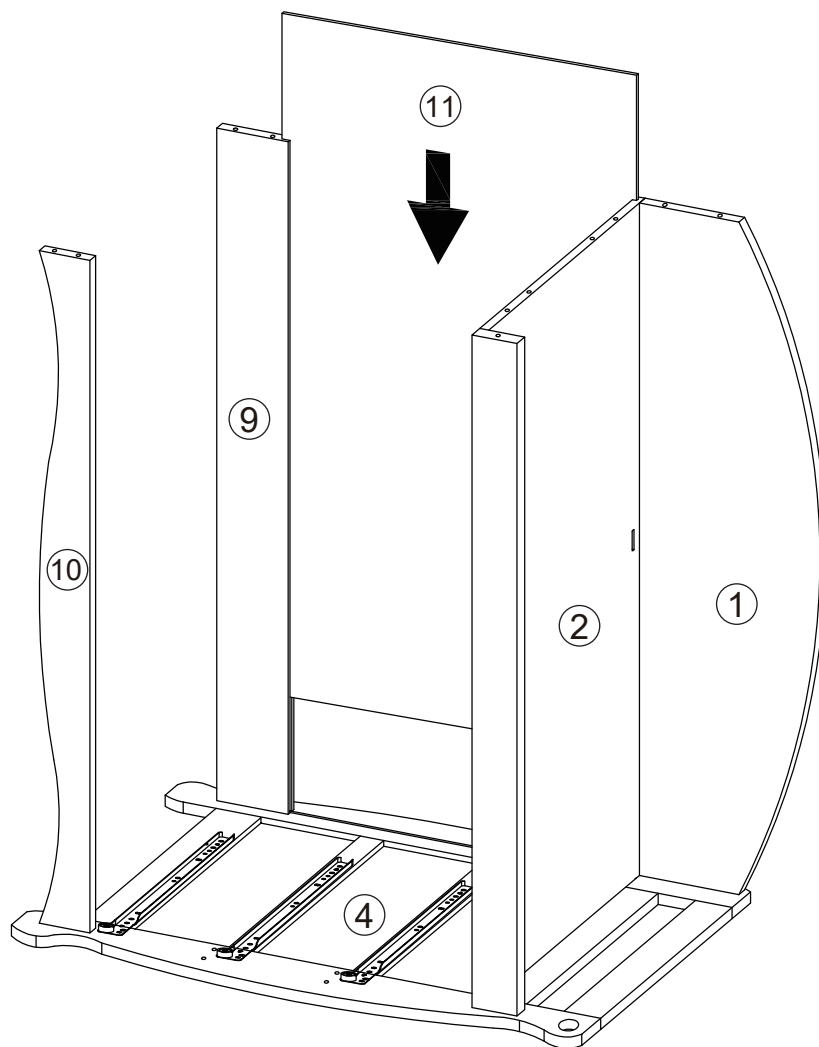


STEP 6




	(B) x 4
---	---------

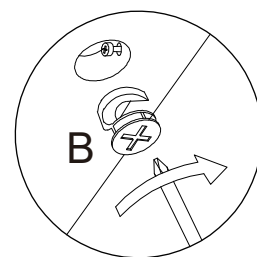
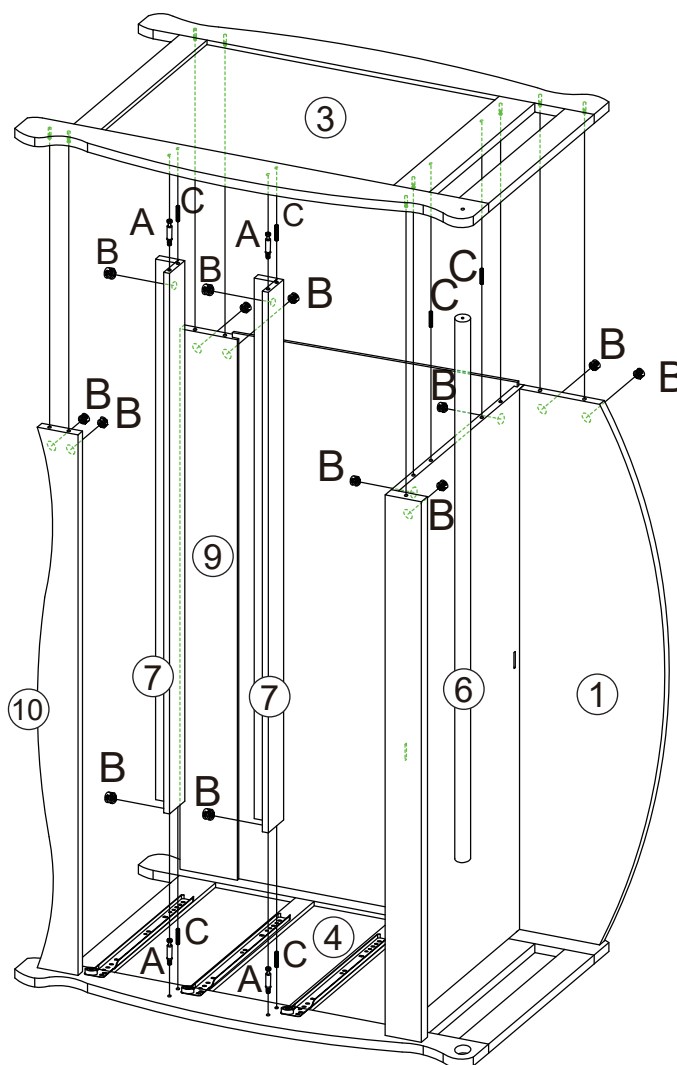


STEP 7

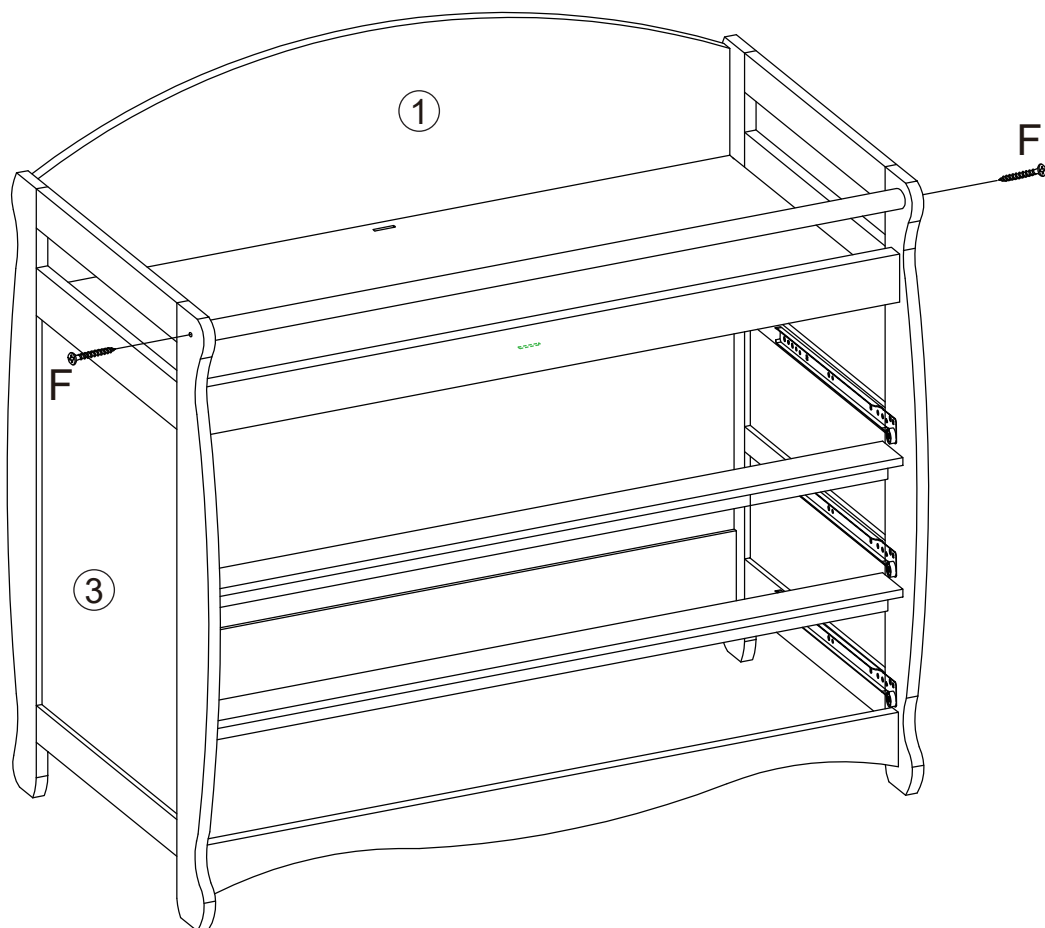


STEP 8

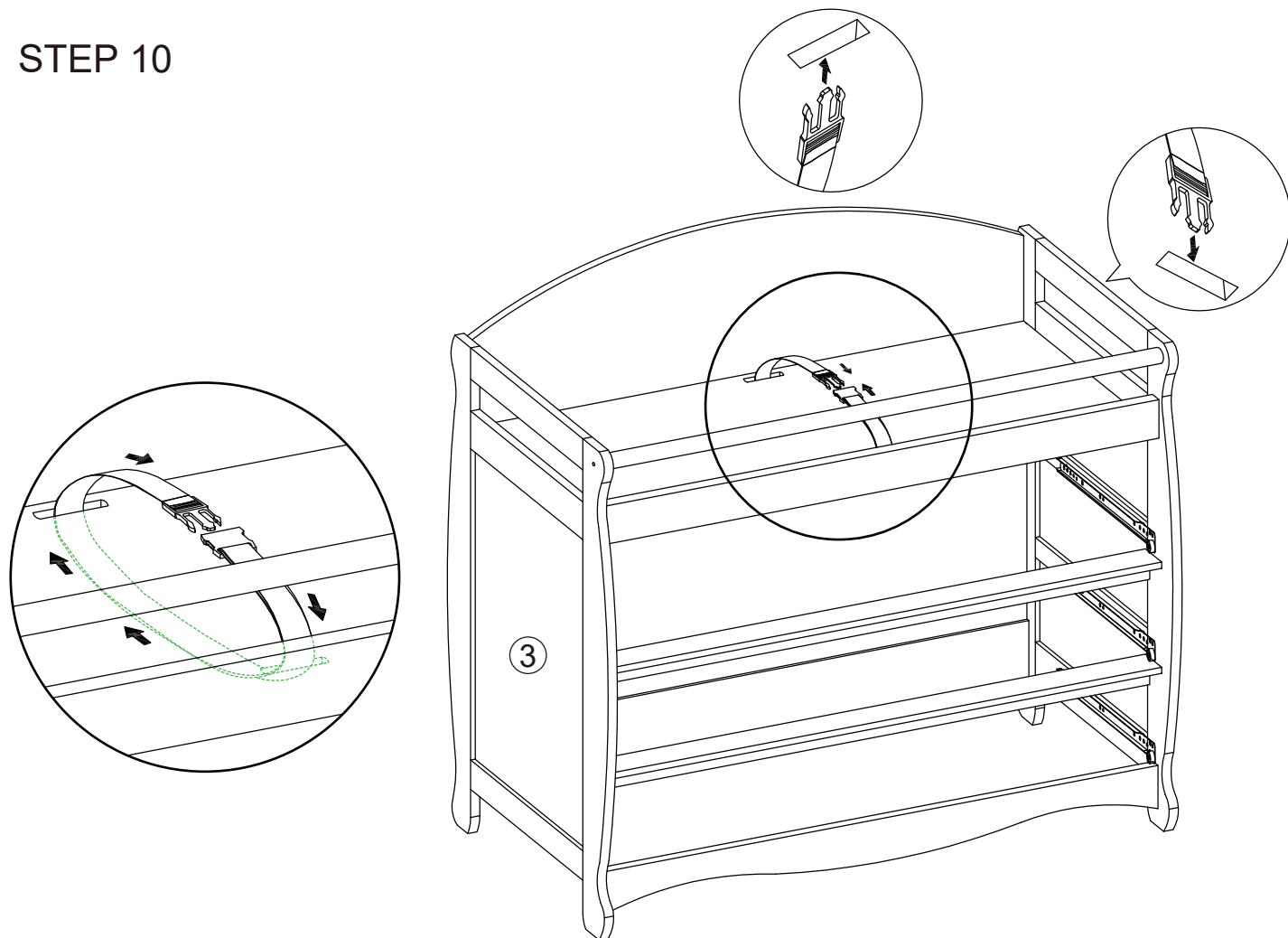
	(B) x 13
	(C) x 6
	(A) x 4








STEP 9

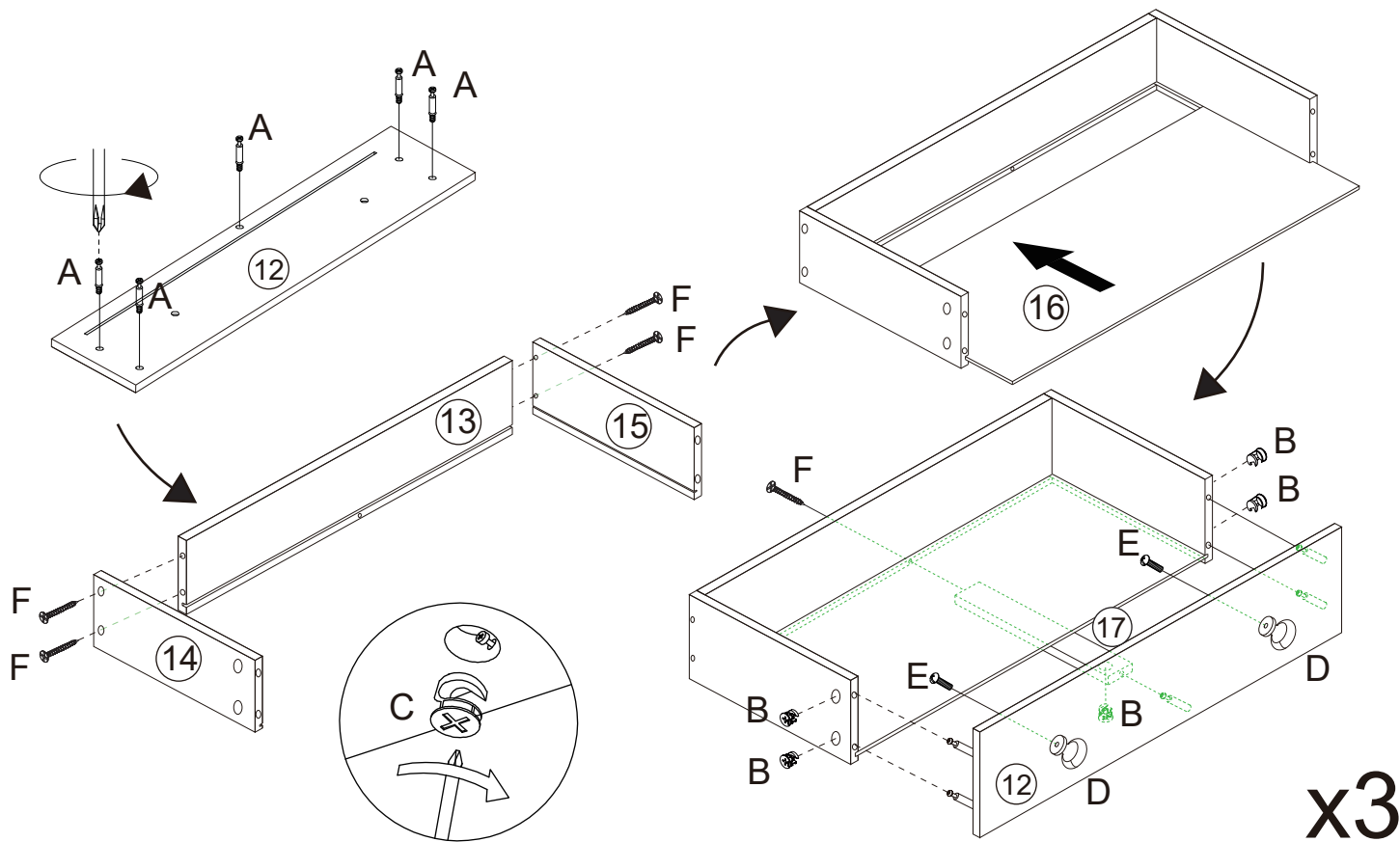


STEP 10






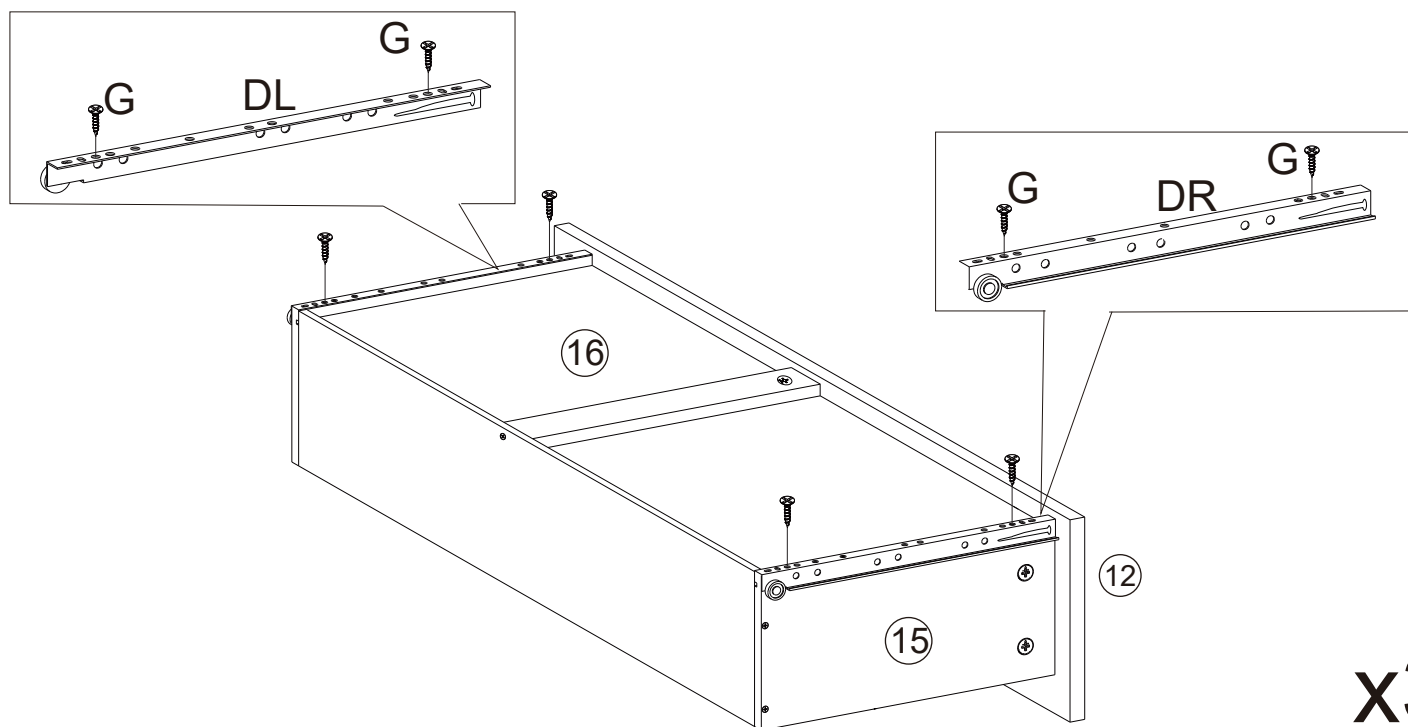
STEP 11

	(A) x15		(B) x15		(D) x6		(E) x6
	(F) x15						

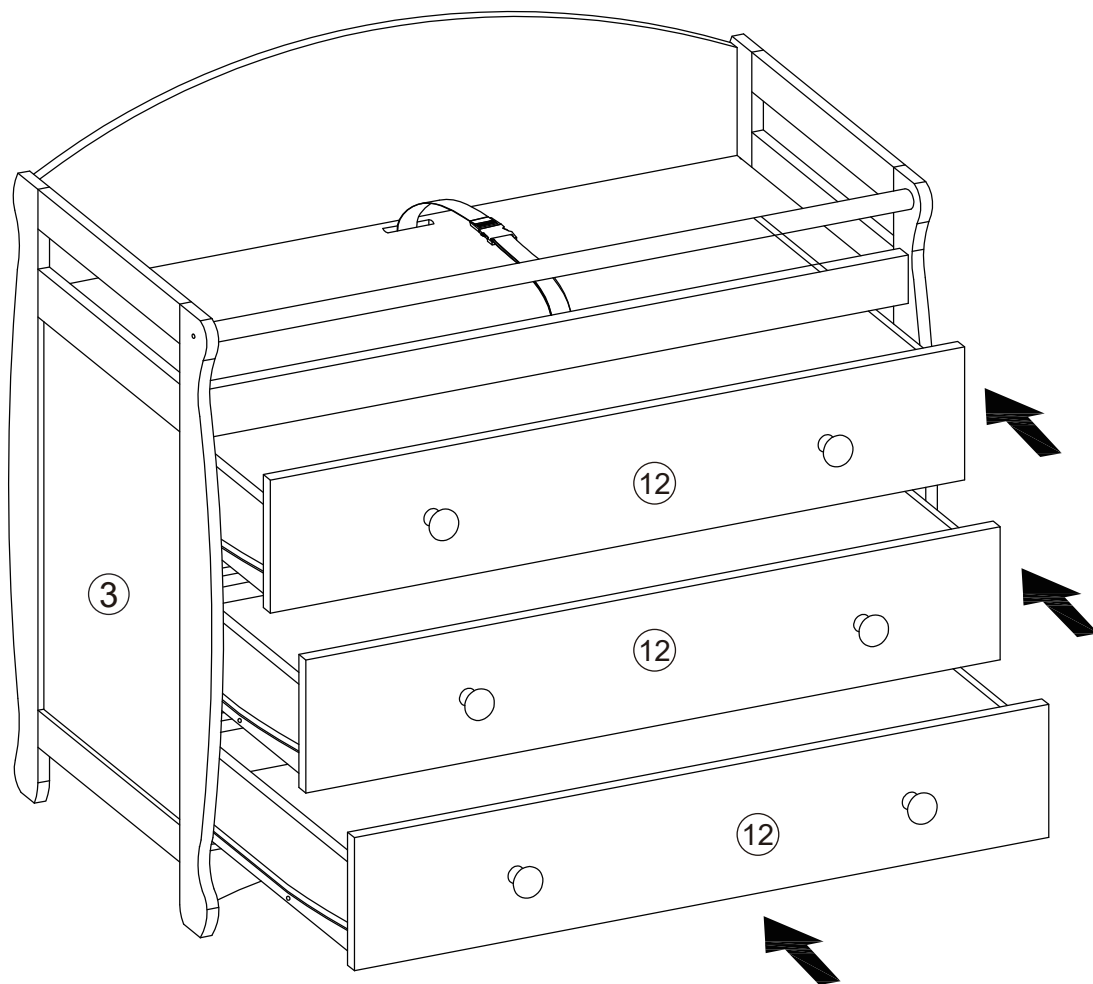


STEP 12






	(G) x12
	DL x 3
	DR x 3

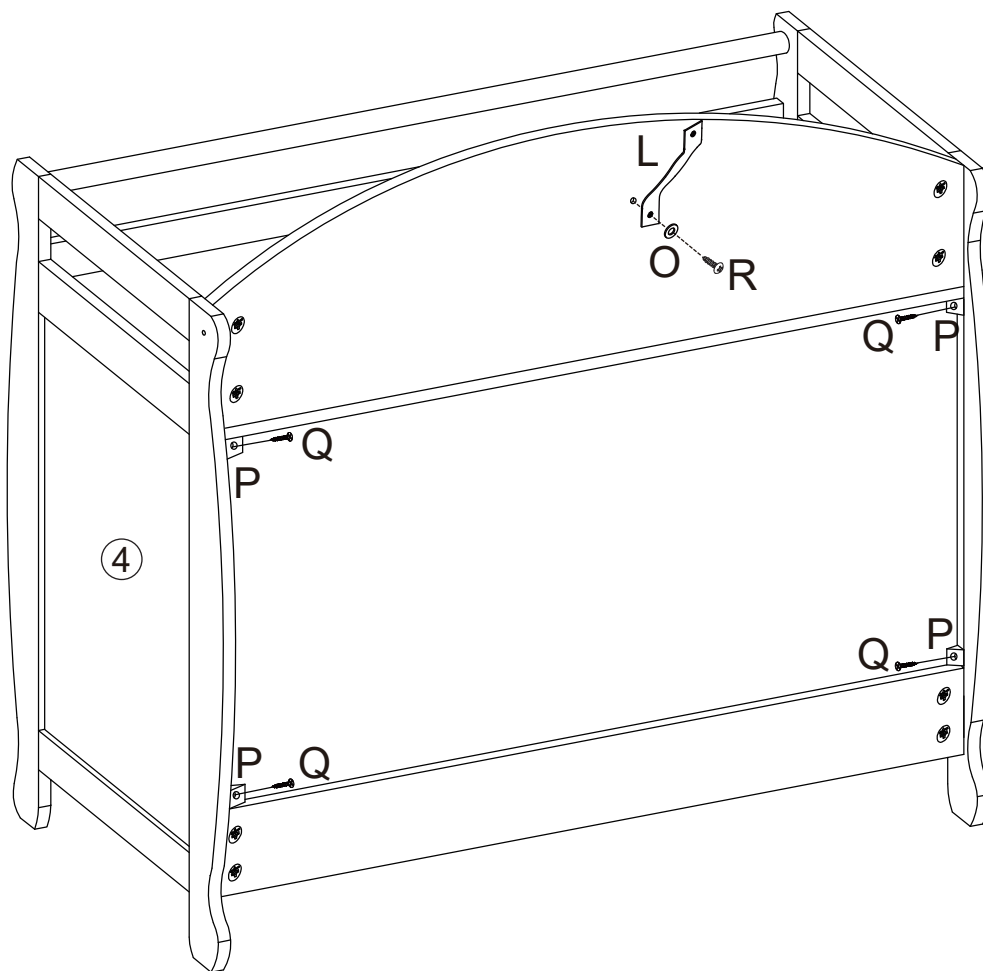
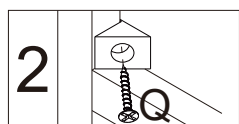
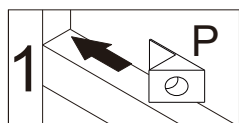


STEP 13






STEP 14

	(R) x 1
	(L) x 1
	(O) x 1
	(P) x 4
	(Q) x 4



STEP 15

	Ⓜ x 1
	Ⓝ x 1
	Ⓞ x 1

