

Features

- VibrAcoustic calms and soothes with sound vibration technology.
- Six concealed speakers send sound waves through the water to gently massage the body.
- Six original instrumental compositions offer different levels of relaxation.
- Syncs with devices enabled with BLUETOOTH® wireless technology including smartphones, MP3 players, tablets, and laptops located up to 33 feet away.*
- Customize your experience with the high-resolution color touch screen.
- Fully-adjustable volume above and below the water.
- Functions as a hydrotherapy bath when full of water and a stereo system when empty.
- Chromatherapy lighting allows you to select a preferred color scheme to suit your mood.
- Integral lumbar support.
- Oval basin creates a spacious bathing experience.
- Slotted overflow allows for deep soaking.
- Includes 25' of wiring and amplifier.
- Center drain.

Material

- Acrylic.

Hydrotherapy

- Chromatherapy.

Installation

- Requires K-7271 or K-7272 Clearflo slotted overflow bath drain (sold separately).
- Drop-in or undermount.
- Requires 110 V electrical service.

Required Products/Accessories

K-7271 Brass Slotted Overflow Bath Drain

or

K-7272 PVC Slotted Overflow Bath Drain

Recommended Products/Accessories

K-24916 Wireless Music Kit
K-814 Under-Mount Installation Kit
K-23726 Drain treatment
K-23732 Tub & shower cleaner

Included Components

Additional Components:
25' (7.6 m) cables



Codes/Standards

CSA B45.5/IAPMO Z124
ASTM E162
ASTM E662
UL 1795
CSA C22.2 No. 218.2


KOHLER® Plastic Baths and Receptors Lifetime Limited Warranty

See website for detailed warranty information.

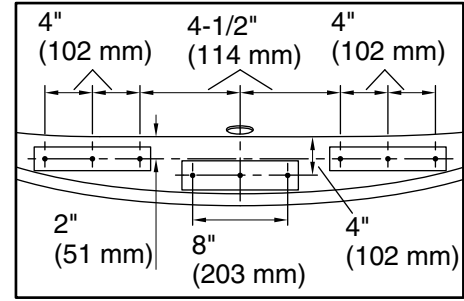
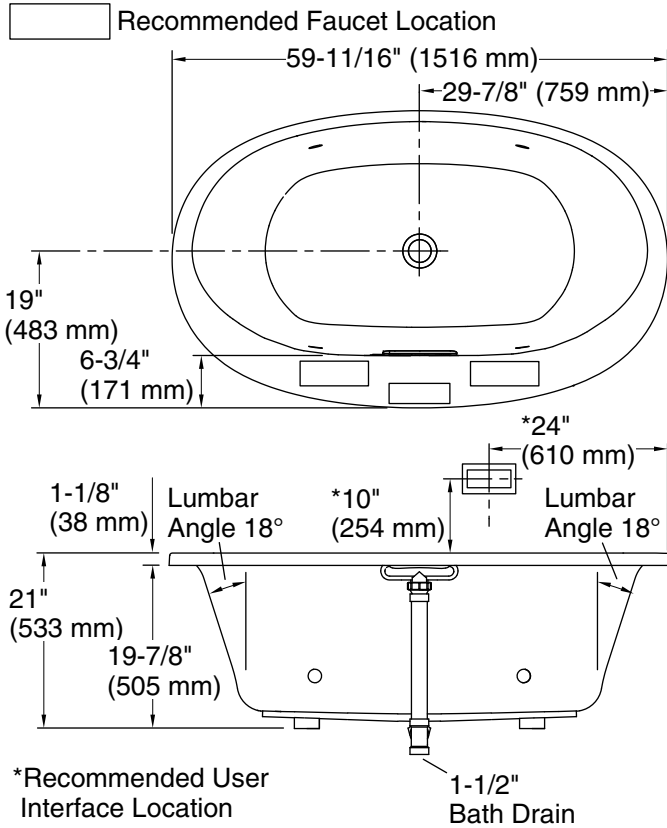
The BLUETOOTH® word mark and logos are registered trademarks owned by Bluetooth SIG, Inc. and any use of such marks by Kohler Co. is under license. Other trademarks and trade names are those of their respective owners.

Available Colors/Finishes

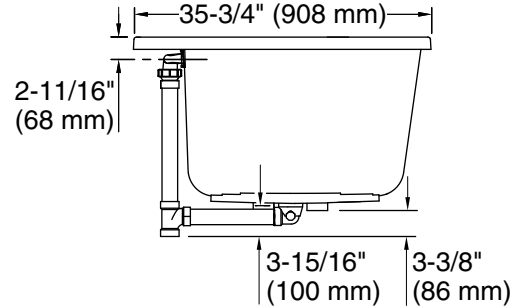
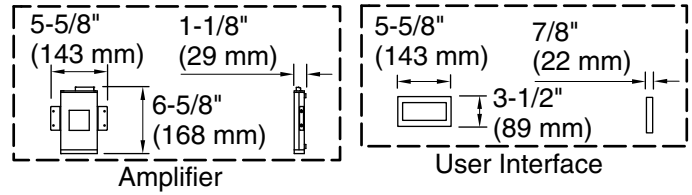
Color tiles intended for reference only.

| Color | Code | Description |
|---|------|---------------|
|  | 33 | Mexican Sand™ |

No change in measurements if connected with drain illustrated. (K-7272)



Recommended Faucet Hole Location



Required Electrical Service

One circuit required, protected with Class A Ground-Fault Circuit-Interrupter (GFCI). Outside North America, this device may be known as a Residual Current Device (RCD).

Amplifier: 120 V, 15 A, 50/60 Hz

Technical Information

All product dimensions are nominal.

| | |
|------------------------------|---|
| Installation: | Drop-in, Under-mount |
| Drain location: | Center |
| Basin area, bottom: | 43" x 25-5/8" (1093 mm x 651 mm) |
| Basin area, top: | 55-9/16" x 28-3/8" (1411 mm x 720 mm) |
| Weight: | 95 lbs (43.1 kg) |
| Minimum floor load: | 49.5 lbs/ft ² (241.7 kg/m ²) |
| Water depth: | 16-5/16" (415 mm) |
| Water capacity: | 72.017 gal (272.6 L) |
| Template: | Drop-in, 1268438-7, required, included |
| Electrical component rating: | Amplifier: 120 V, 1.1 A, 50/60 Hz |
| Amplifier channels: | 2 at 15 W per channel 2 at 30 W per channel |
| Bluetooth® range: | 33 ft (0.8 m) |

Notes

Measure your actual product for rough-in details.

Install this product according to the installation instructions.

The hot water supply should be 70% of the capacity of the bath or greater. Installations will vary.

Control amplifier fits 16" (406 mm) center studs. Kit is required for under-mount installations (sold separately).

Provide a separate grounded outlet if connecting to a powered wireless device or adapter.

If installing a rim-mount faucet, make sure there is no interference above or below the deck before drilling any holes.

IMPORTANT! Due to BLUETOOTH signal overlap, installations of multiple baths within 50 ft (15.2 m) of each other will require special order product. Please contact your dealer, showroom, or sales representative for ordering assistance.