

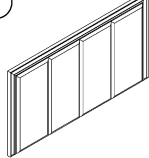
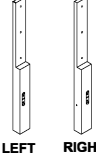
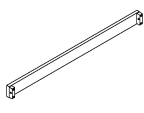
ASSEMBLY INSTRUCTIONS

DESCRIPTION: QUEEN BED HEADBOARD

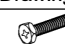


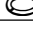

Thank you for purchasing this quality product. Be sure to check all packing materials carefully for small parts, which may have come loose inside the carton during shipment. Identify and count all parts and compare with the parts list below.

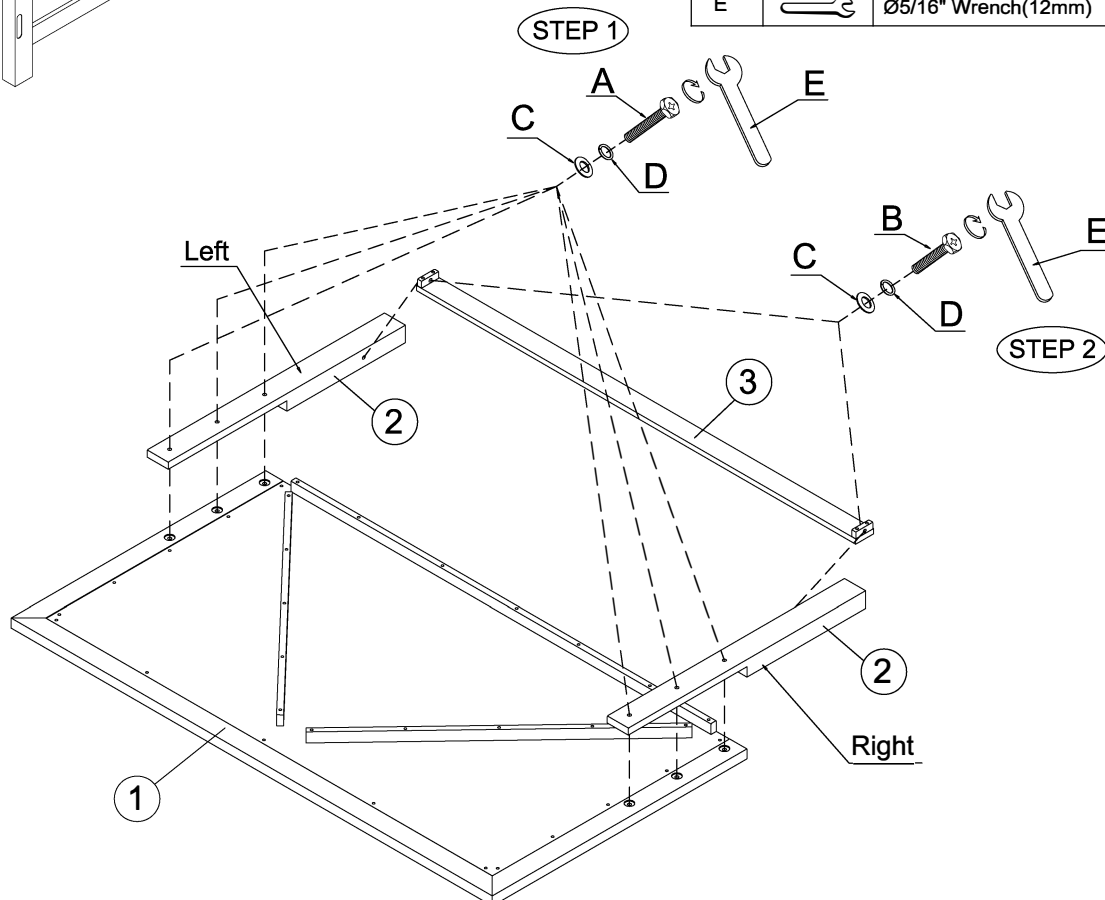
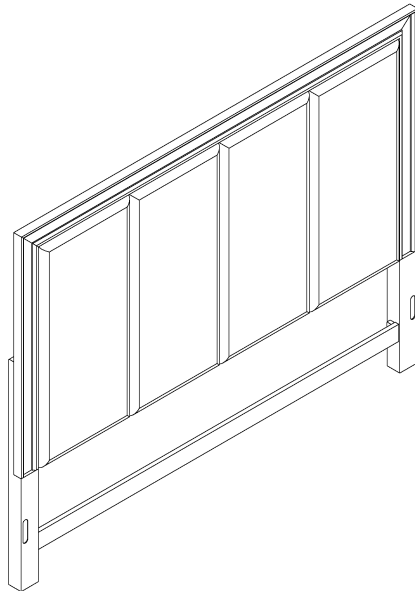
**** Do not fully tighten screws until fully assembled ****

PARTS LIST:

		
HEADBOARD: 1PC	LEGS: 2PCS	BOTTOM RAIL: 1PC

HARDWARE LIST

NO.	Drawing	Description	Q'ty
A		Bolt (5/16x1-3/4")	6pcs
B		Bolt (5/16x1-1/2")	2pcs
C		Flat washer (Ø5/16"x19mm)	6pcs
D		Spring washer (Ø5/16")	6pcs
E		Ø5/16" Wrench(12mm)	1pc



CLEANING INSTRUCTION

Clean the Queen Bed Headboard surface with a furniture polish and a soft cloth.

Attention

*** Some number parts listed on the instruction sheet may not be in parts bag as they may be assembled. Carefully check parts and packing materials prior to ordering replacements.***

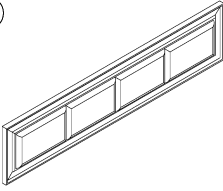

ASSEMBLY INSTRUCTIONS

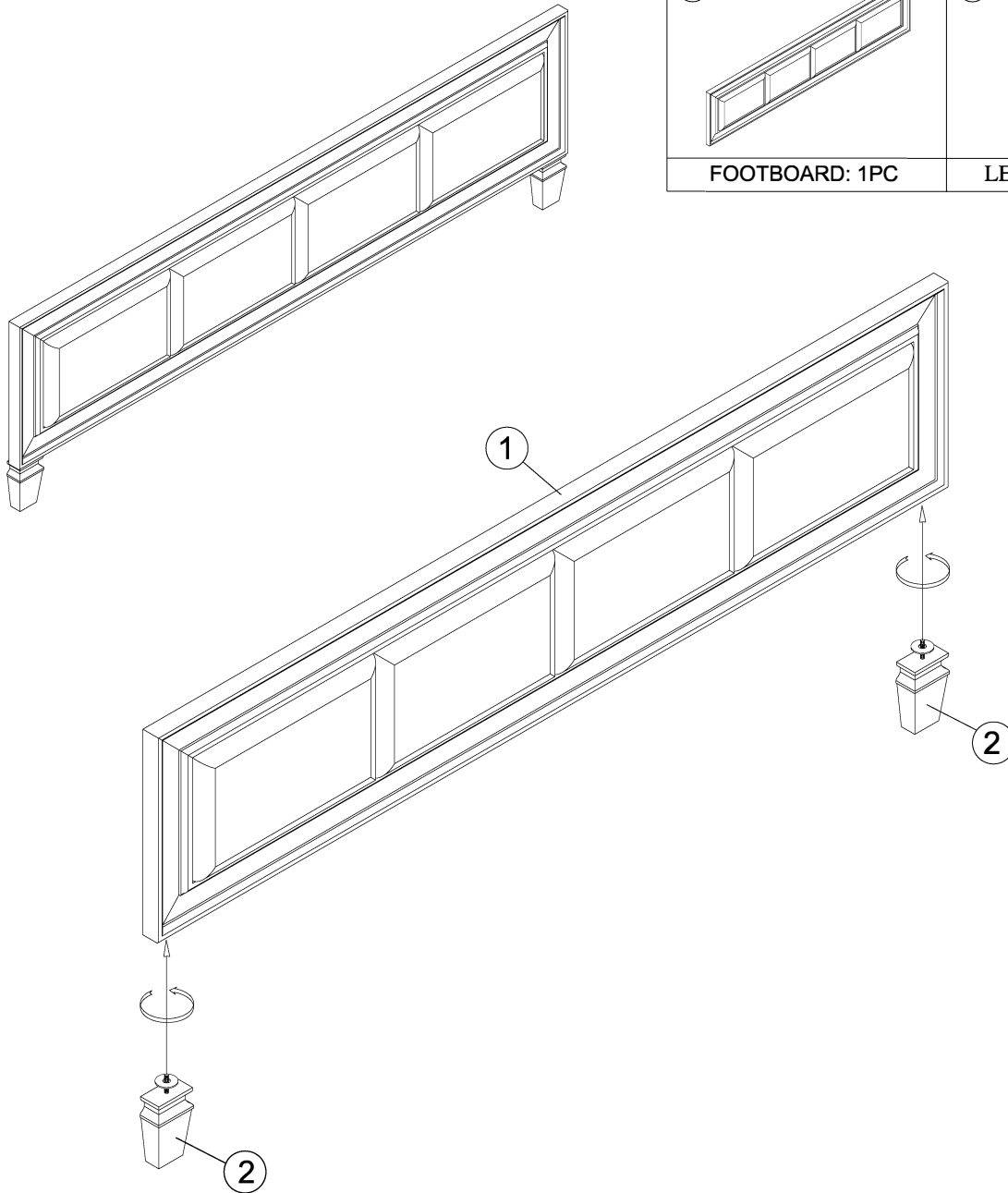
DESCRIPTION: QUEEN BED FOOTBOARD

Thank you for purchasing this quality product. Be sure to check all packing materials carefully for small parts, which may have come loose inside the carton during shipment. Identify and count all parts and compare with the parts list below.

**** Do not fully tighten screws until fully assembled ****

PARTS LIST:

<p>①</p> 	<p>②</p> 
FOOTBOARD: 1PC	LEGS : 2PCS



CLEANING INSTRUCTION

Clean the Queen Bed Footboard surface with a furniture polish and a soft cloth.

Attention

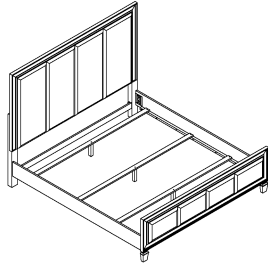
*** Some number parts listed on the instruction sheet may not be in parts bag as they may be assembled. Carefully check parts and packing materials prior to ordering replacements.***

ASSEMBLY INSTRUCTIONS

DESCRIPTION: QUEEN BED

Thank you for purchasing this quality product. Be sure to check all packing materials carefully for small parts, which may have come loose inside the carton during shipment. Identify and count all parts and compare with the parts list below.

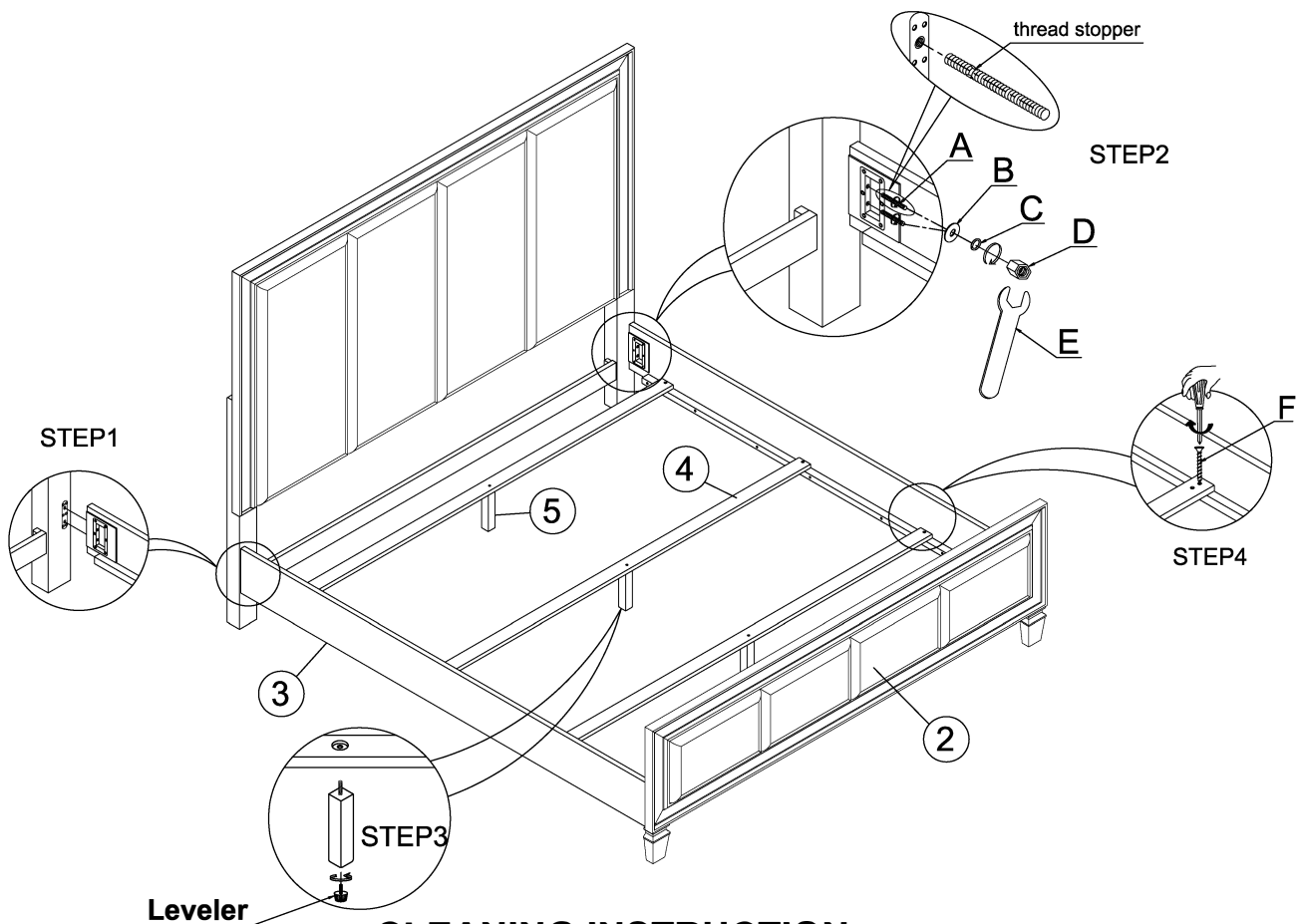
**** Do not fully tighten screws until fully assembled ****



HARDWARE LIST			
NO.	Drawing	Description	Q'ty
A		Threaded Bolt Ø5/16" X3-1/2"	8pcs
B		Flat washer (Ø5/16"x19mm)	8pcs
C		Spring washer (Ø5/16")	8pcs
D		Hex Nut (Ø5/16")	8pcs
E		Ø5/16" Wrench(12mm)	1pc
F		Wood screw Ø8 x 1"	8pcs

PARTS LIST:

①	②	③	④	⑤
HEADBOARD: 1PC	FOOTBOARD: 1PC	SIDE RAIL: 2PCS	SLATS : 3PCS	SUPPORT LEGS: 3PCS



CLEANING INSTRUCTION

Clean the Queen Bed surface with a furniture polish and a soft cloth.

Attention

*** Some number parts listed on the instruction sheet may not be in parts bag as they may be assembled. Carefully check parts and packing materials prior to ordering replacements.***