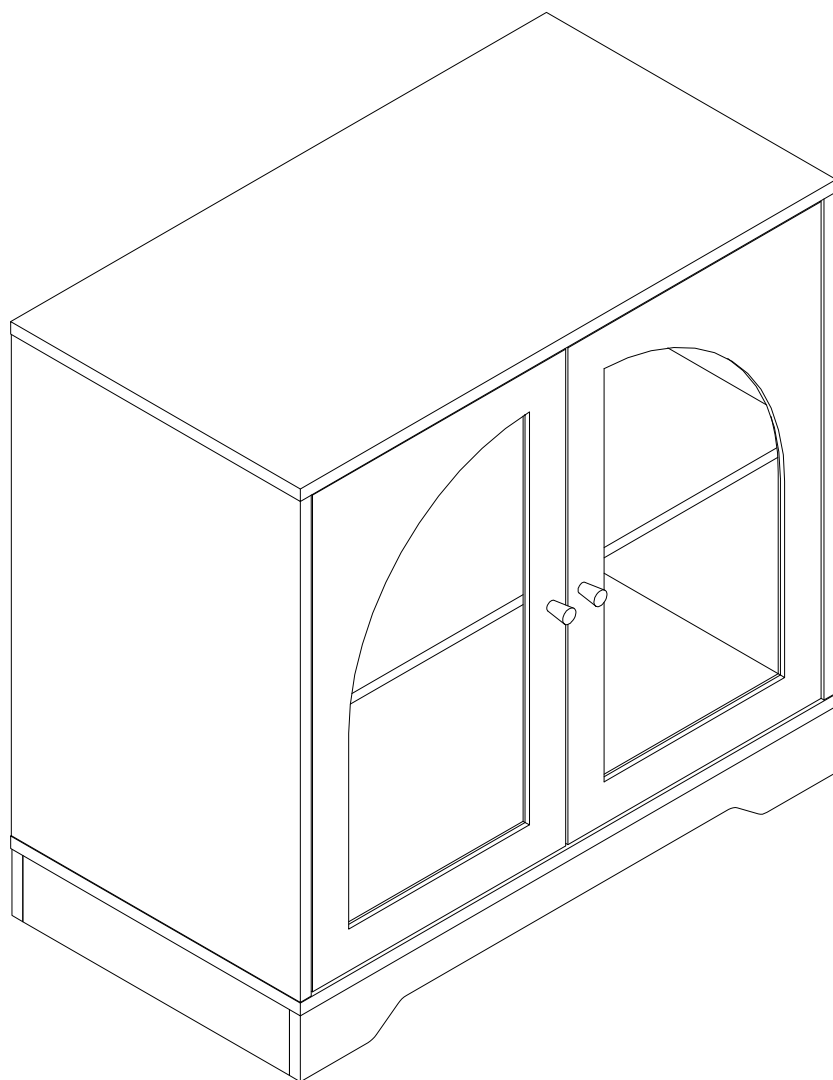


# Assembly Instructions

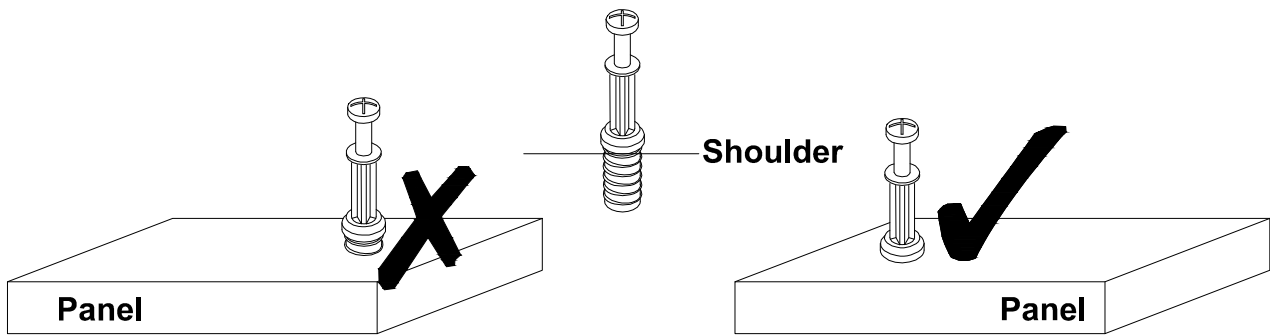


# Before Assembly

## Tips Before Your Start:

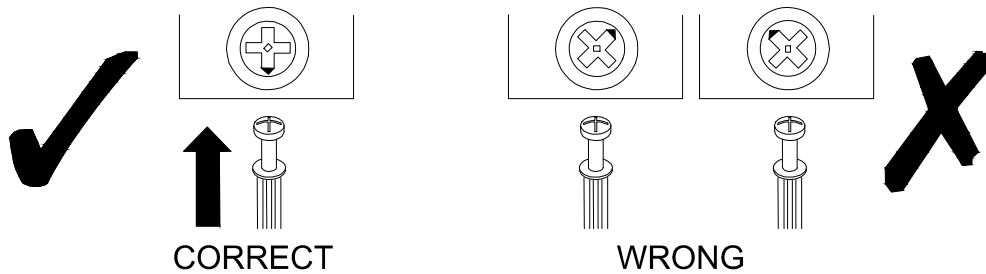
- Remove all wrapping material, including staples & packing straps before you start to assemble.
- DO NOT tighten all screws and bolts until the assembly is completely assembled.
- Keep all hardware parts out of reach of children.

## QUICKFIT



Tighten quickfit until shoulder is flush with panel. Do not overtighten or undertighten.

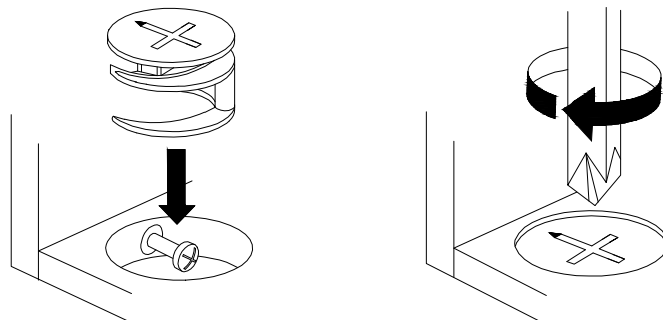
## CAM LOCK



When fitting a cam lock, ensure the starting position is correct before inserting the connecting QUI CKFIT




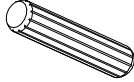
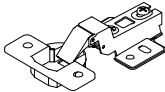
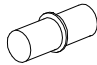
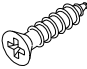
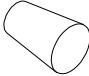


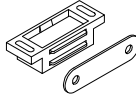
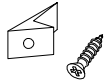
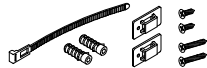
Quickfit head should be in the centre of the cam lock when the two panels are joined.

Cam lock should be inserted before quickfit.

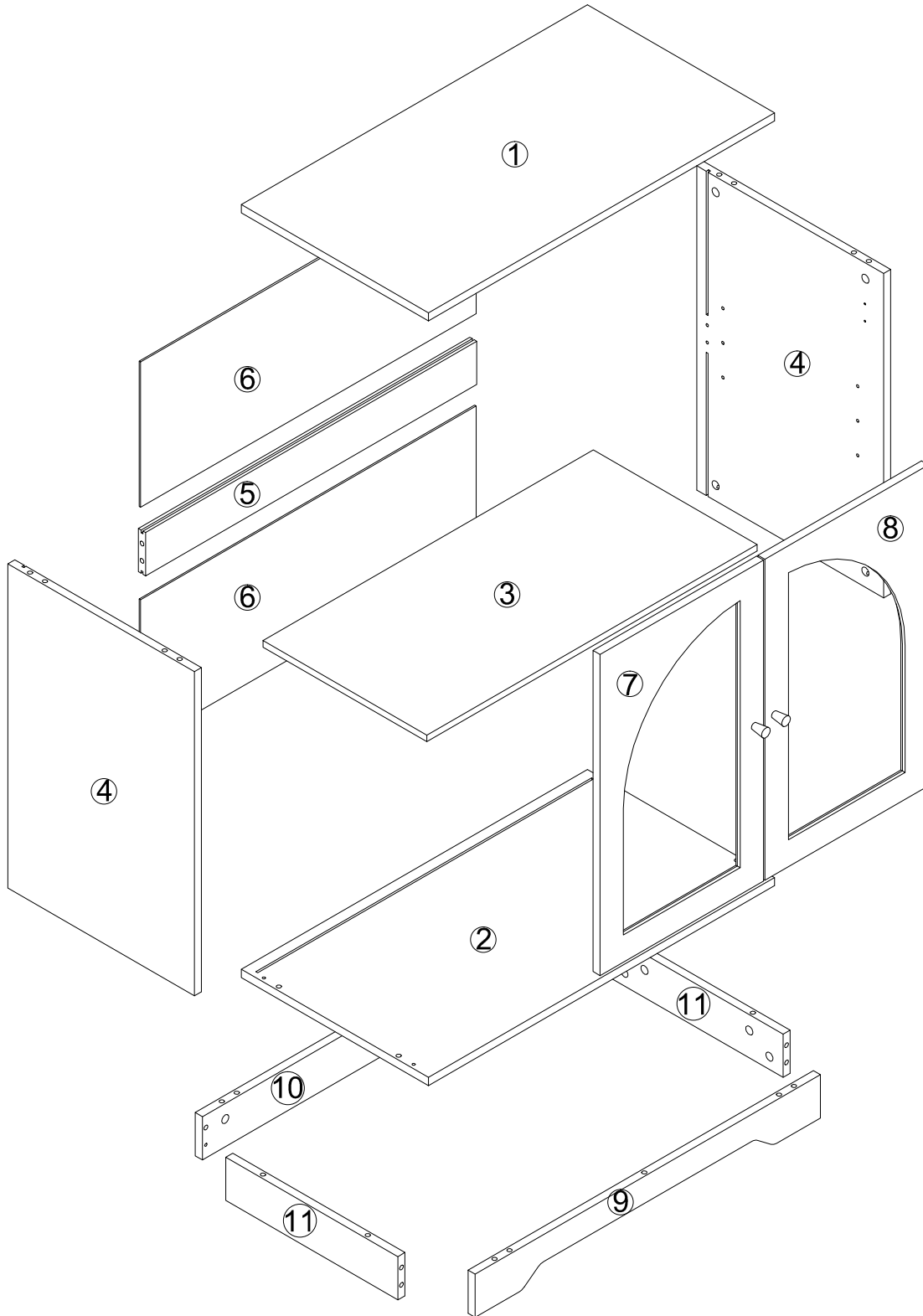


Turn cam lock clockwise to tighten.

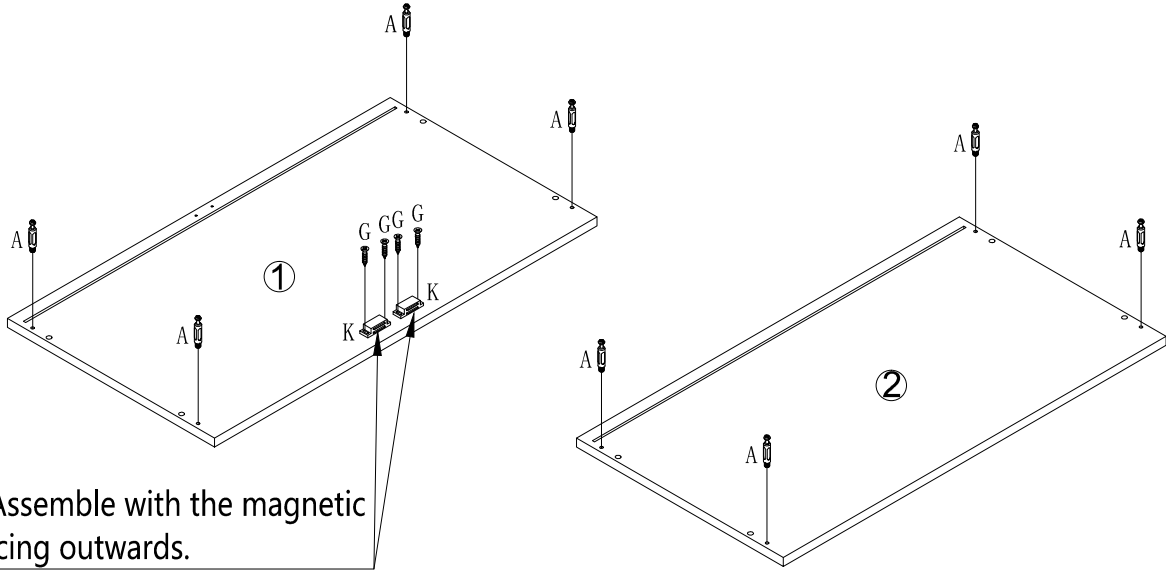
# Part List

<p><b>No. A</b> Quantity:26 Pcs Cam Lock Dowel 8*28mm</p> 	<p><b>No. B</b> Quantity:26 Pcs Cam φ15</p> 	<p><b>No. C</b> Quantity:26 Pcs Sticker Ø20</p> 	<p><b>No. D</b> Quantity:16 Pcs Dowel 8*30mm</p> 
<p><b>No. E</b> Quantity:4 Pcs Hinge</p> 	<p><b>No. F</b> Quantity:4 Pcs Shelf Support M5*15mm</p> 	<p><b>No. G</b> Quantity:32 Pcs Screw M3.5*14mm</p> 	<p><b>No. H</b> Quantity:2 Pcs Handle Ø20*23mm</p> 
<p><b>No. I</b> Quantity:4 Pcs Foot Pad Ø15</p> 	<p><b>No. J</b> Quantity:2 Pcs Screw M4*20mm</p> 	<p><b>No. K</b> Quantity:2 Sets Magnetic Door Catcher</p> 	<p><b>No. L</b> Quantity:8 Sets Plastic Wedge</p> 
<p><b>No. M</b> Quantity:1 Sets Anti-falling Parts</p> 			

# Product structure



# STEP 1



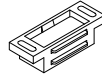
No. A  
Quantity: 8 Pcs  
8\*28 mm



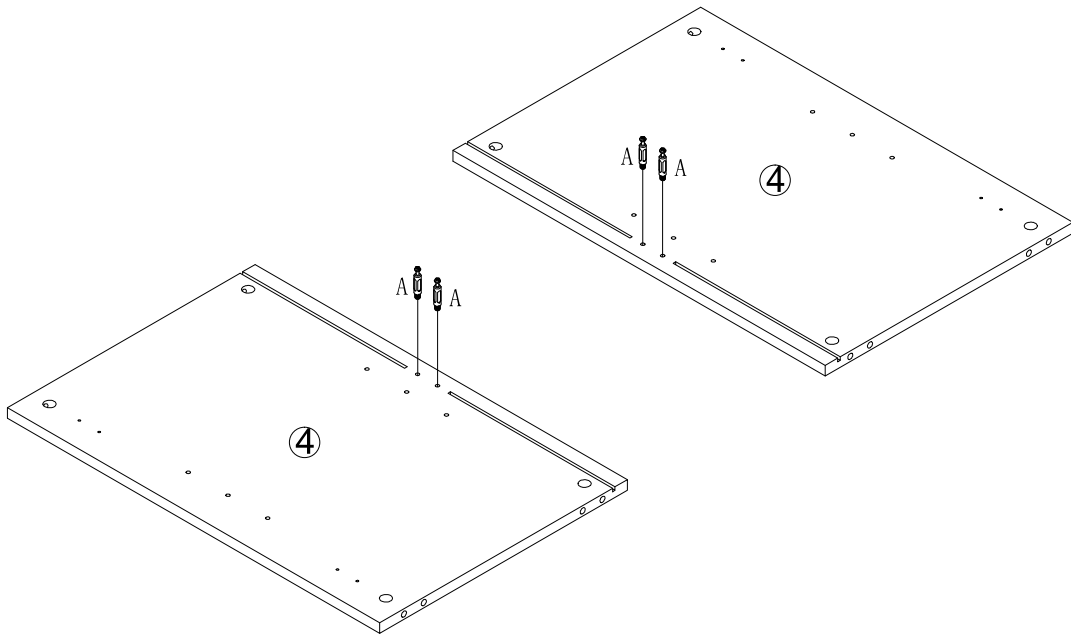
No. G  
Quantity: 4 Pcs  
M3.5\*14mm



No. K  
Quantity: 2 Pcs



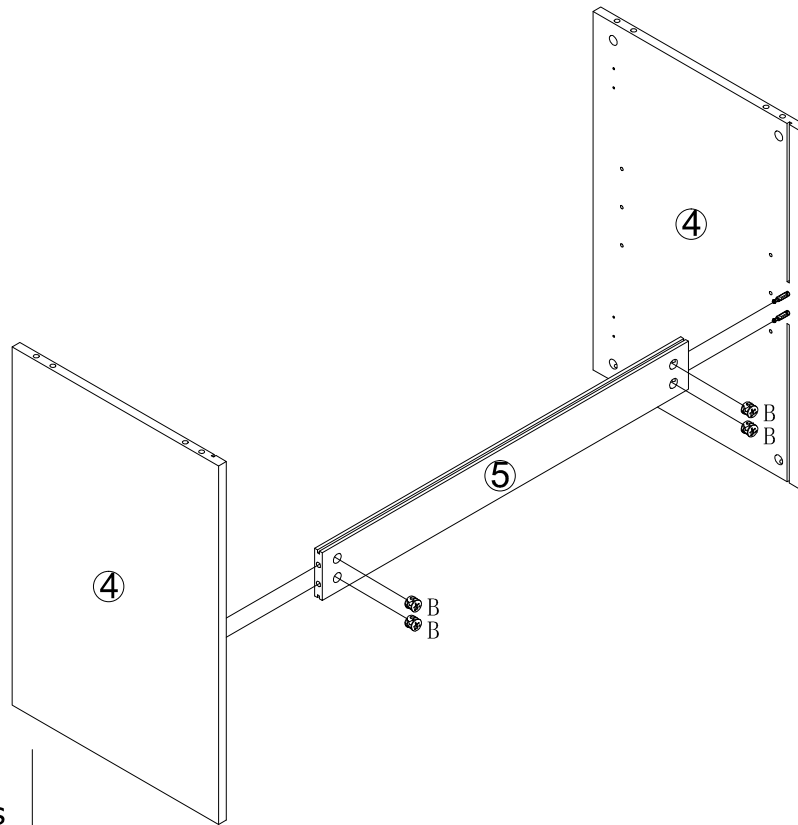
# STEP 2



No. A  
Quantity: 4 Pcs  
8\*28 mm



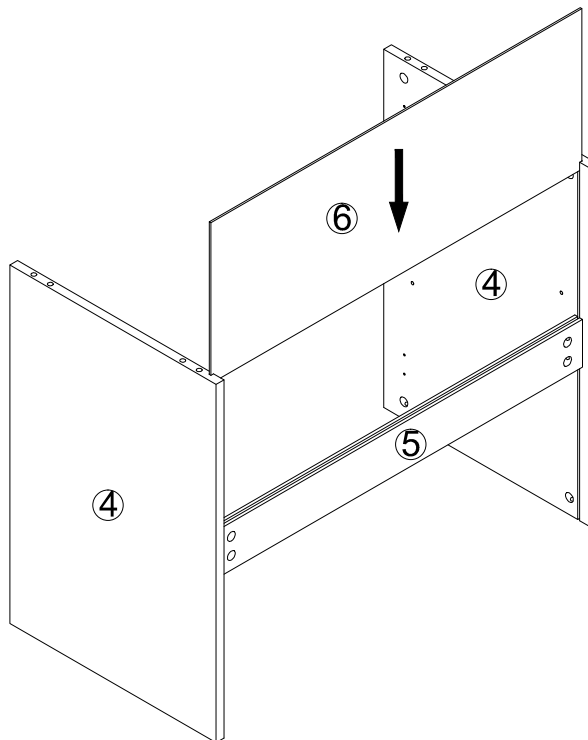
## STEP 3



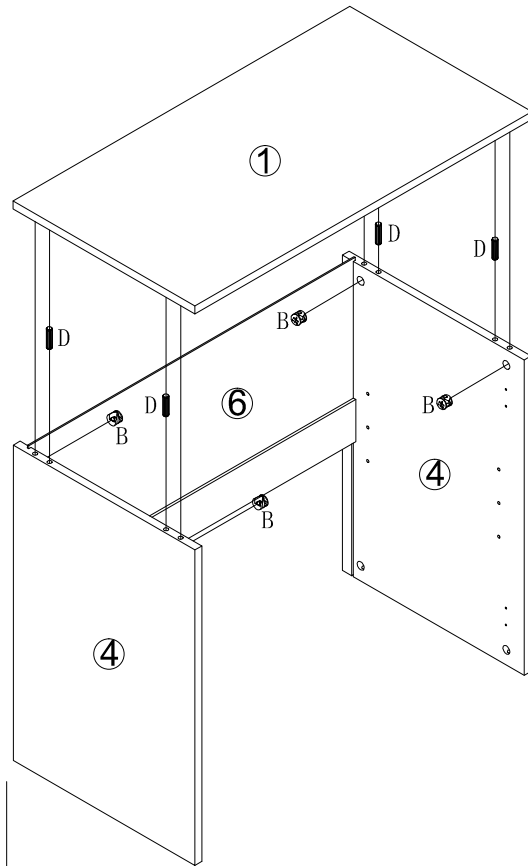
No. B  
Quantity: 4 Pcs  
Ø15



## STEP 4



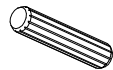
## STEP 5



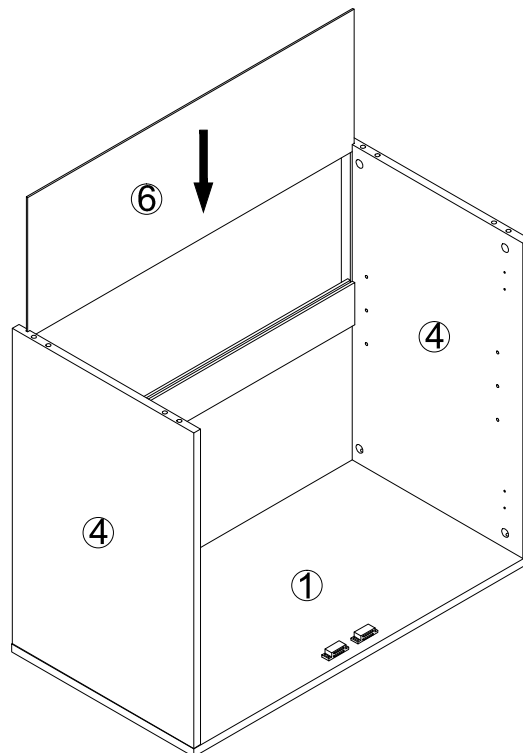
No. B  
Quantity: 4 Pcs  
Ø15



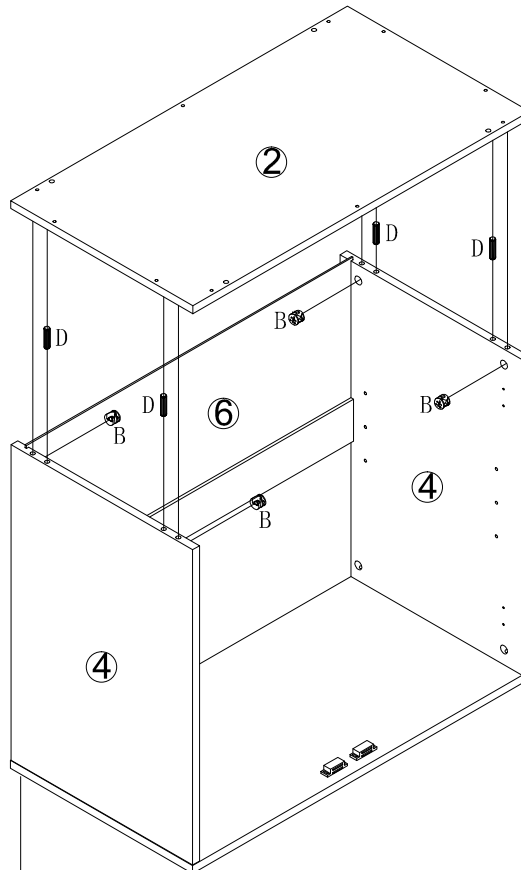
No. D  
Quantity: 4 Pcs  
8\*30mm



## STEP 6



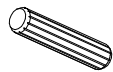
# STEP 7



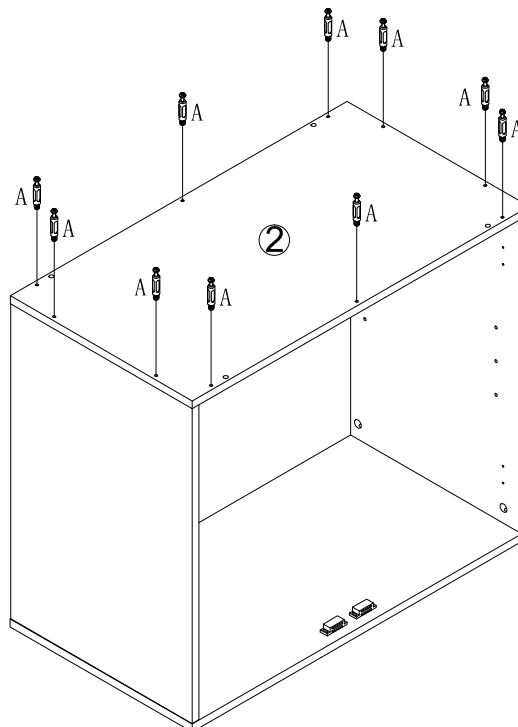
No. B  
Quantity: 4 Pcs  
Ø15



No. D  
Quantity: 4 Pcs  
8\*30mm



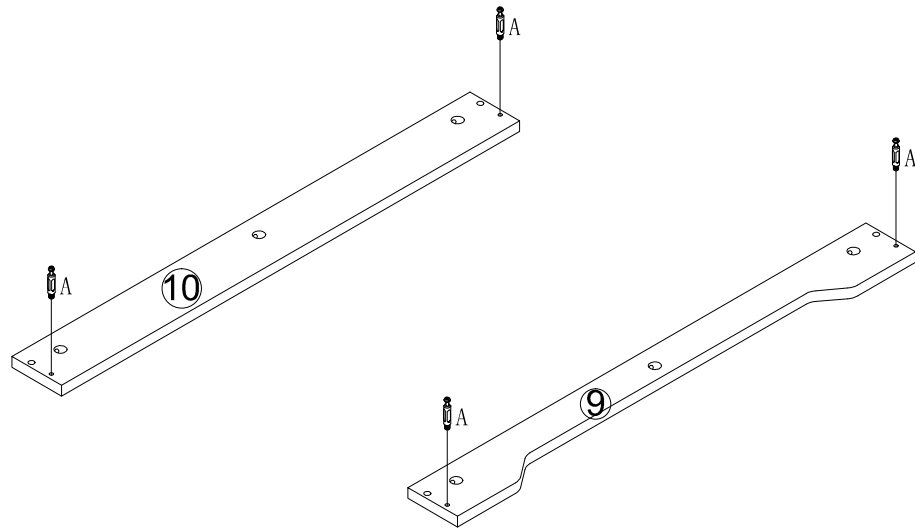
# STEP 8



No. A  
Quantity: 10 Pcs  
8\*28 mm



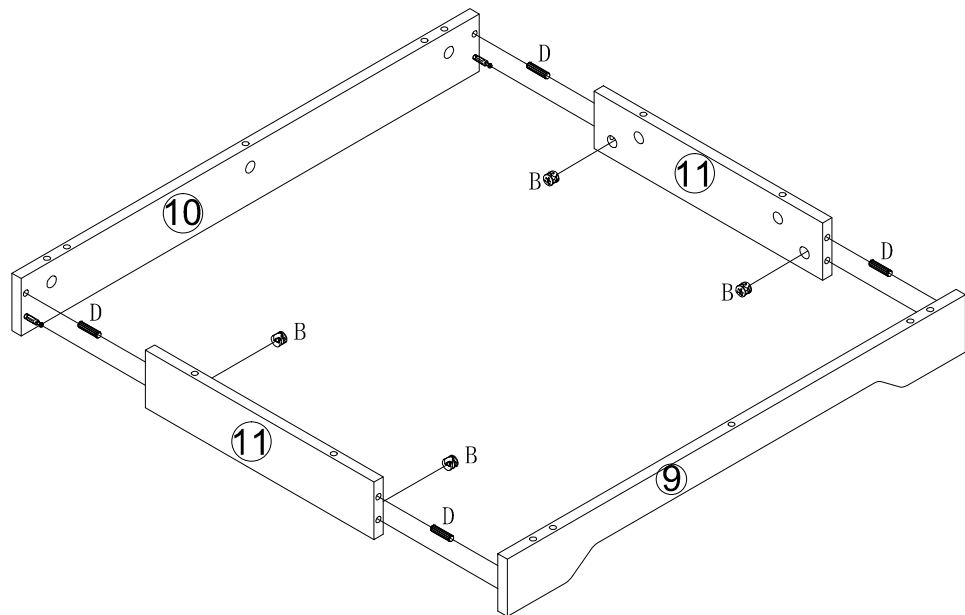
# STEP 9



No. A  
Quantity: 4 Pcs  
8\*28 mm



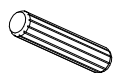
# STEP 10



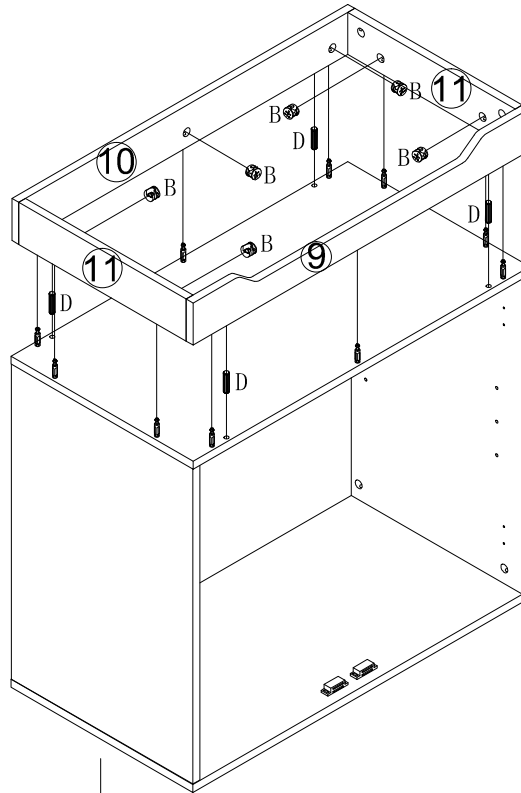
No. B  
Quantity: 4 Pcs  
Ø15



No. D  
Quantity: 4 Pcs  
8\*30mm



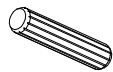
# STEP 11



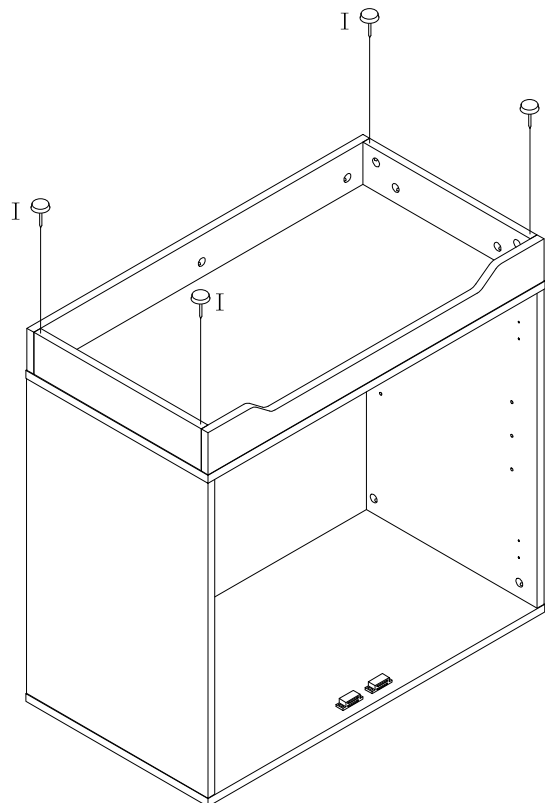
No. B  
Quantity: 10 Pcs  
Ø15



No. D  
Quantity: 4 Pcs  
8\*30mm



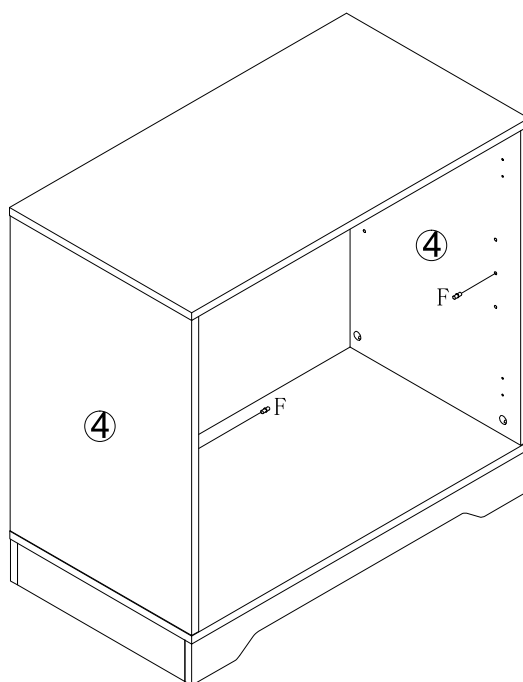
# STEP 12



No. I  
Quantity: 4 Pcs  
Ø15



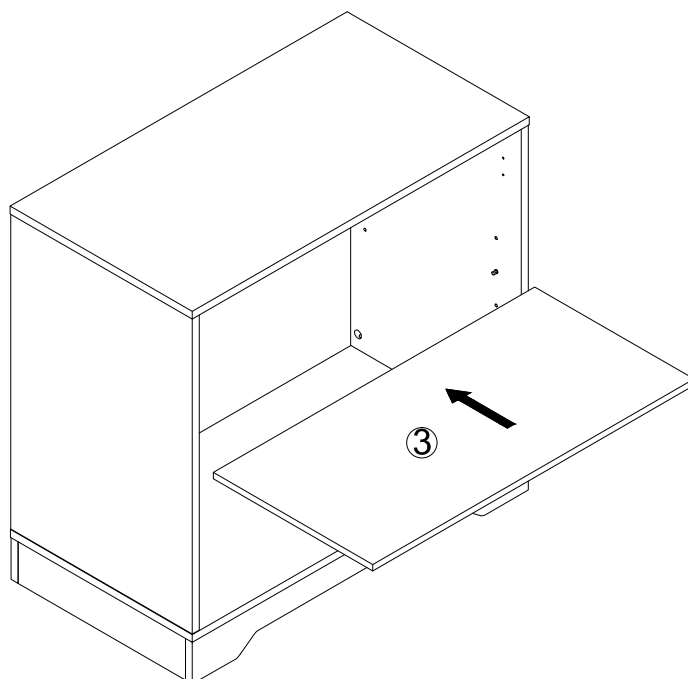
## STEP 13



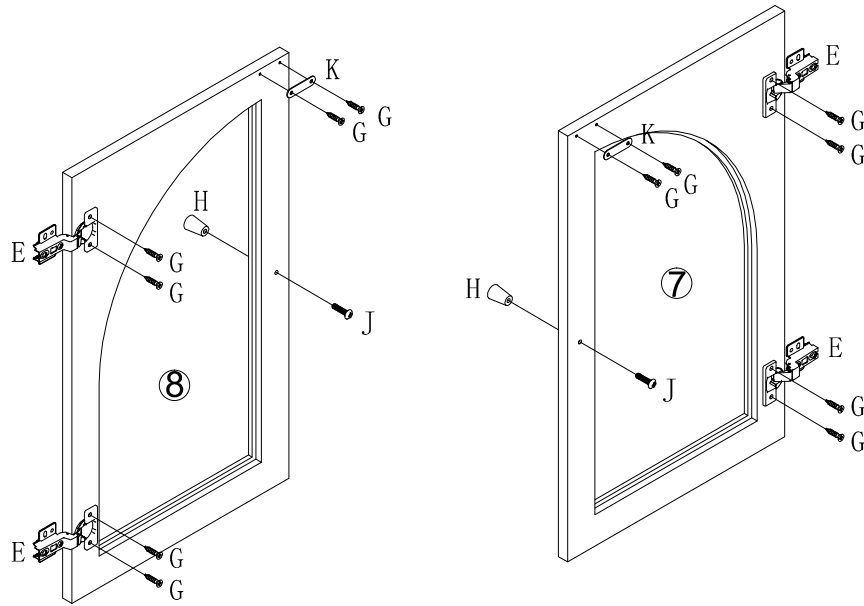
No. F  
Quantity: 4 Pcs  
M5\*15mm



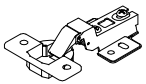
## STEP 14



# STEP 15



No. E  
Quantity: 4 Pcs



No. G  
Quantity: 12 Pcs  
M3.5\*14mm



No. H  
Quantity: 2 Pcs  
Ø20\*23mm



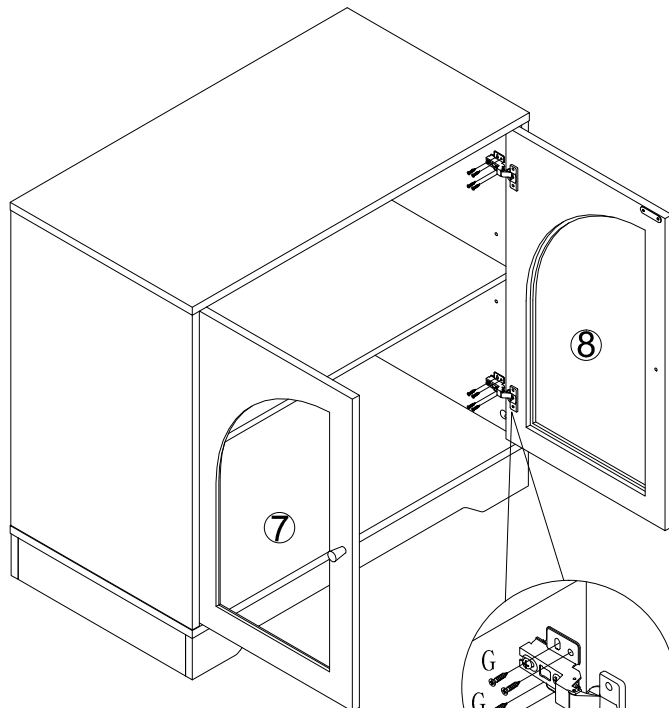
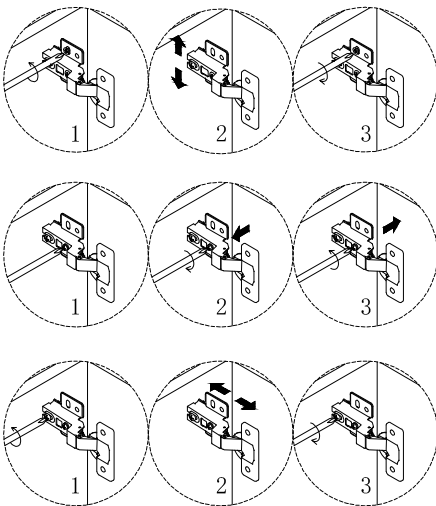
No. J  
Quantity: 2 Pcs  
M4\*20mm



No. K  
Quantity: 2 Pcs



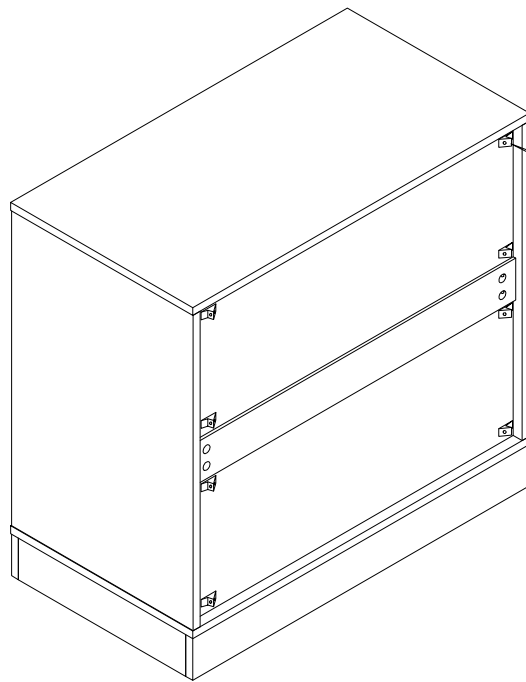
# STEP 16



No. G  
Quantity: 16 Pcs  
M3.5\*14mm

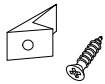


## STEP 17

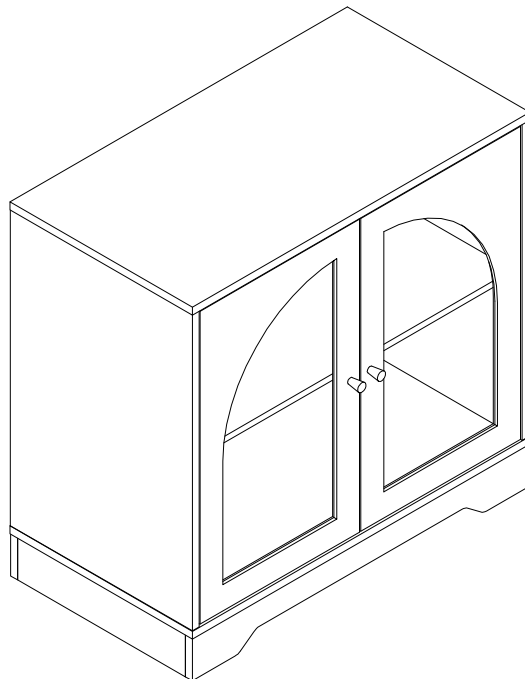


Description: Insert the thinner end of the reinforcement into the gap in this back panel, then tighten the screws. This will make the cabinet more stable.

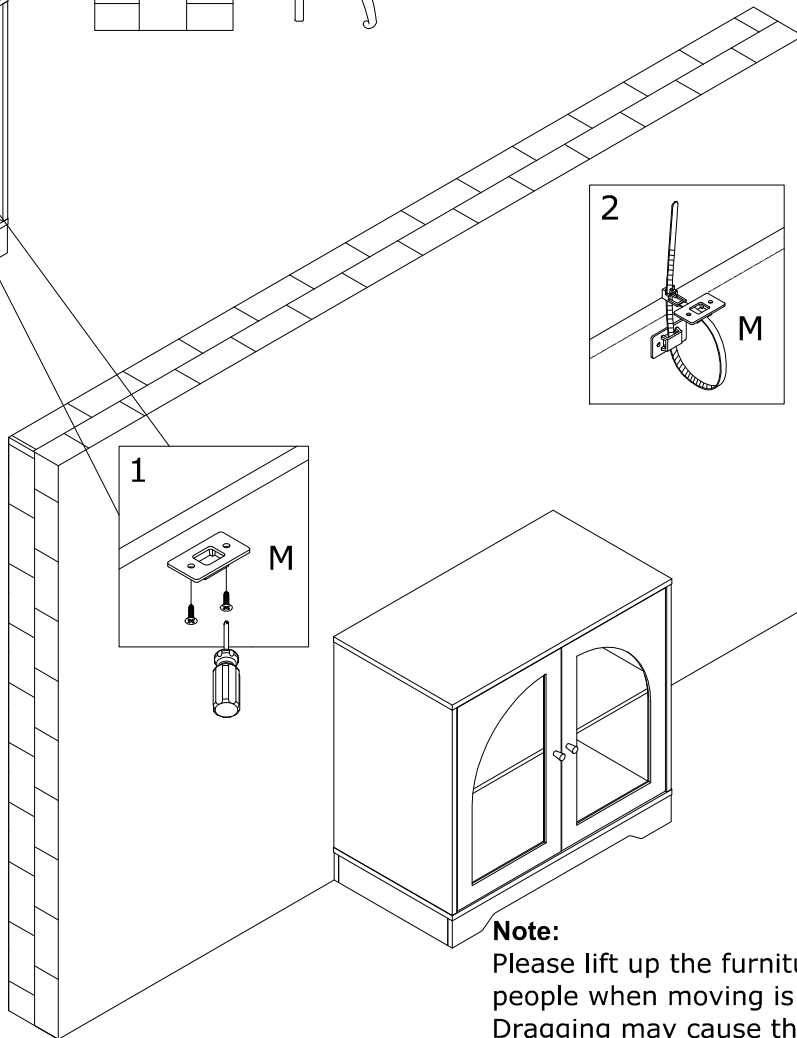
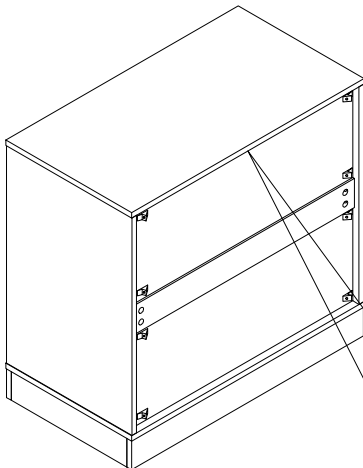
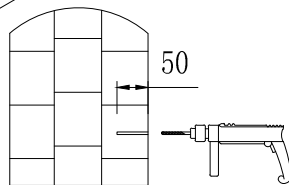
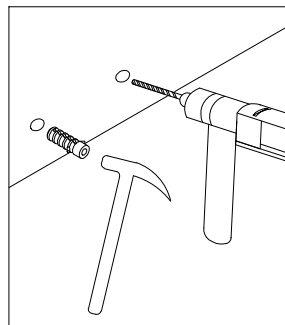
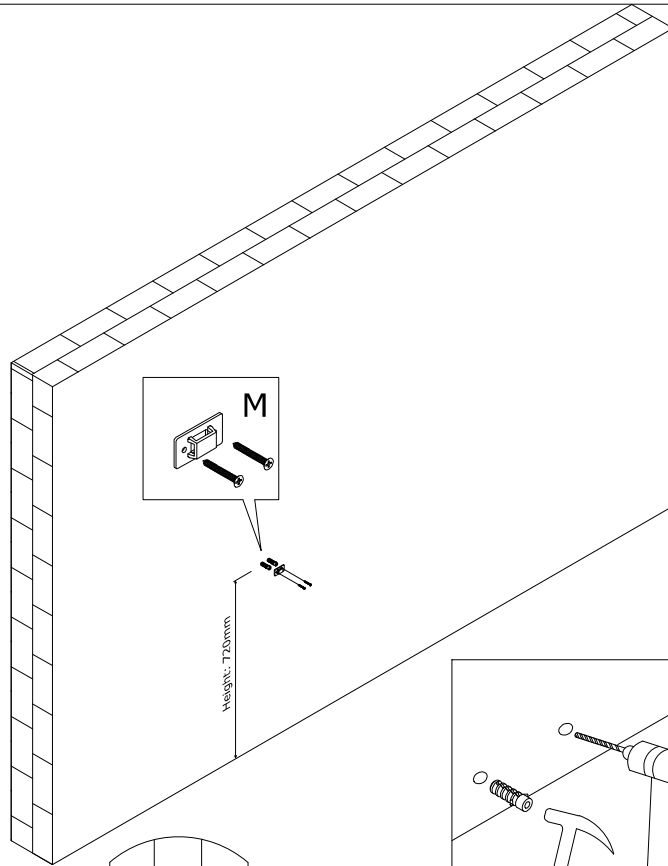
No. L  
Quantity: 8 Sets



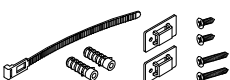
## STEP 18



# STEP 19



No. M  
Quantity: 1 Set



**Note:**  
Please lift up the furniture by two people when moving is needed.  
Dragging may cause the legs failure.