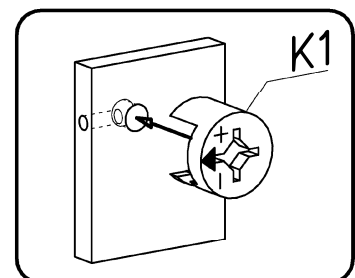
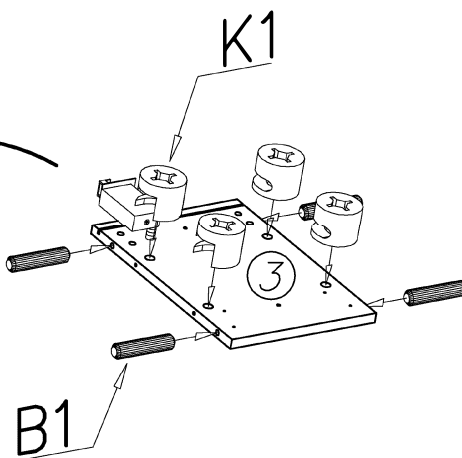
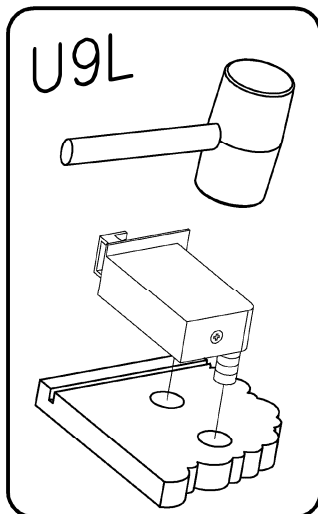
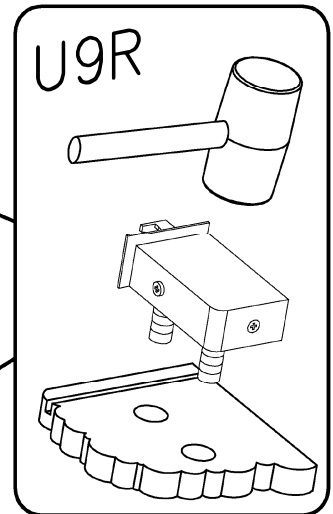
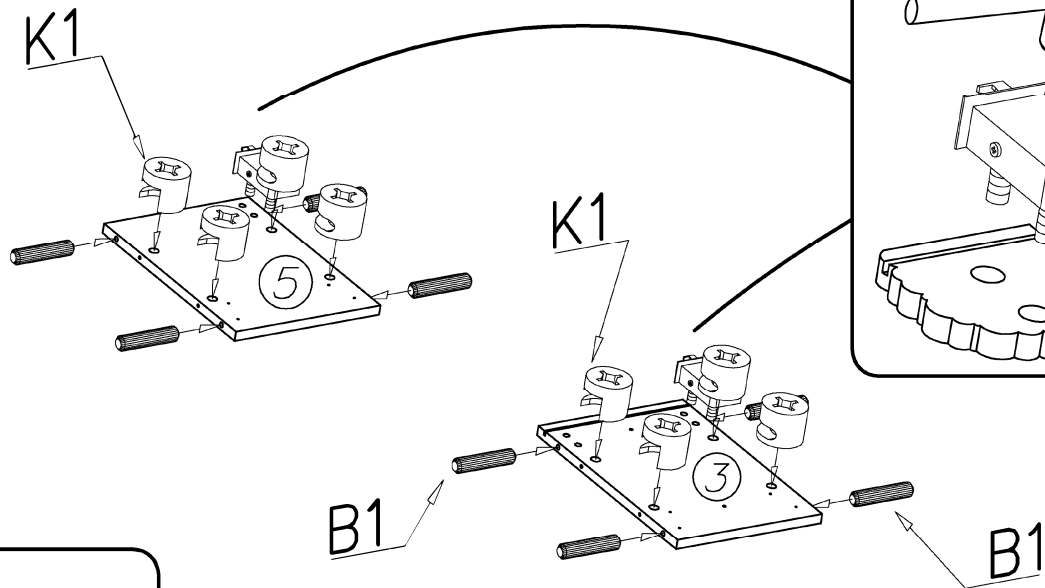
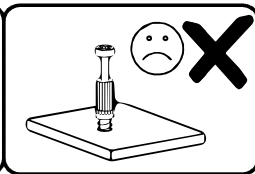
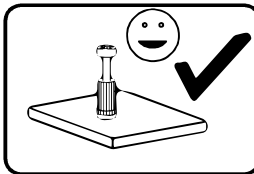
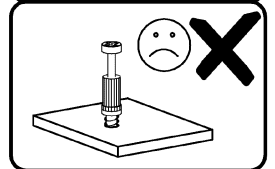
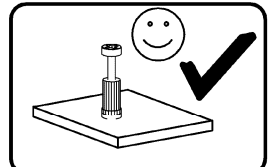
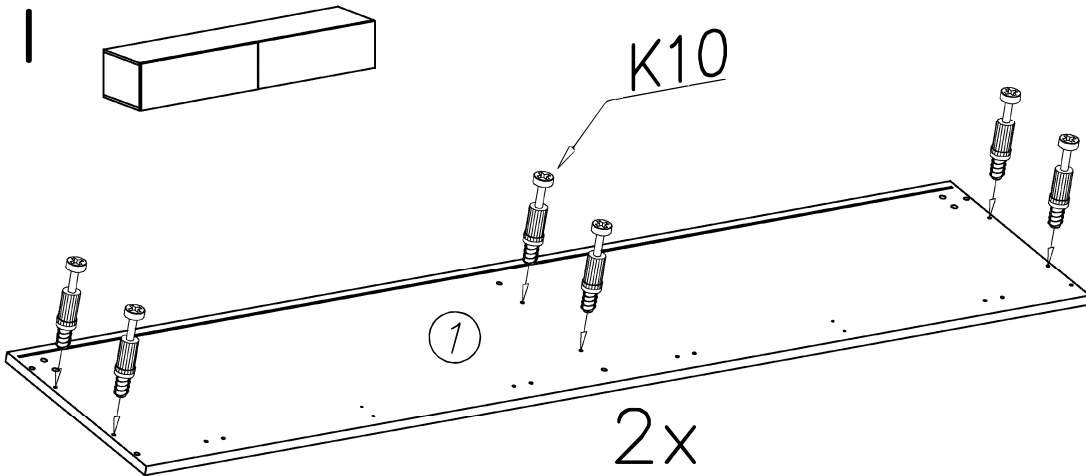
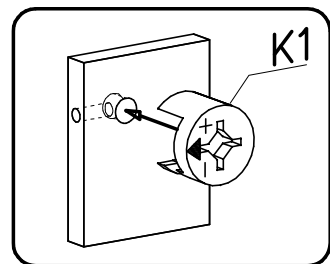
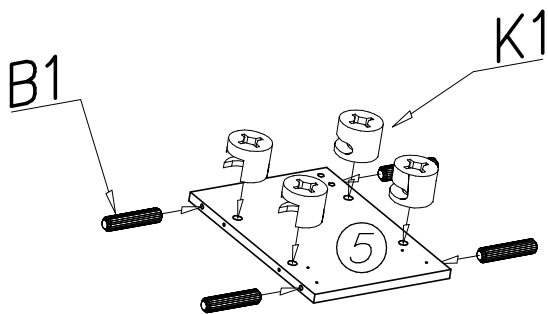
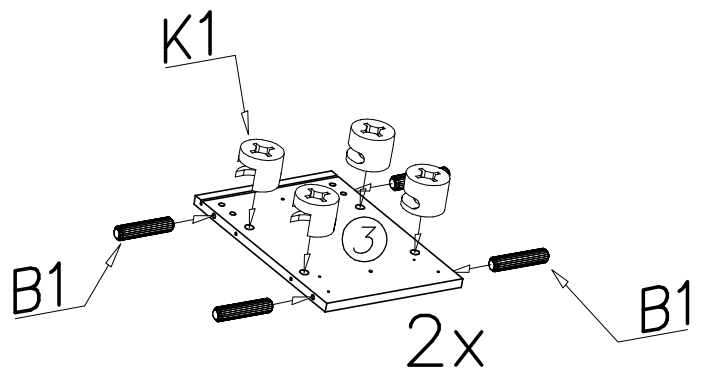
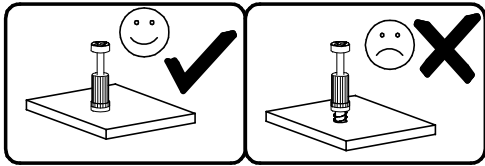
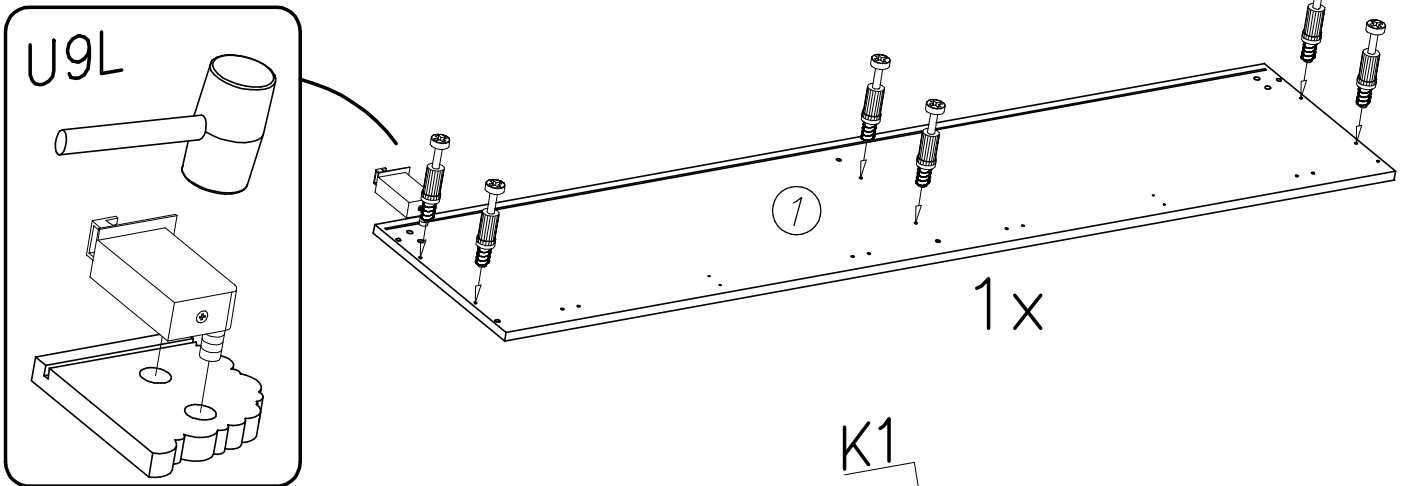
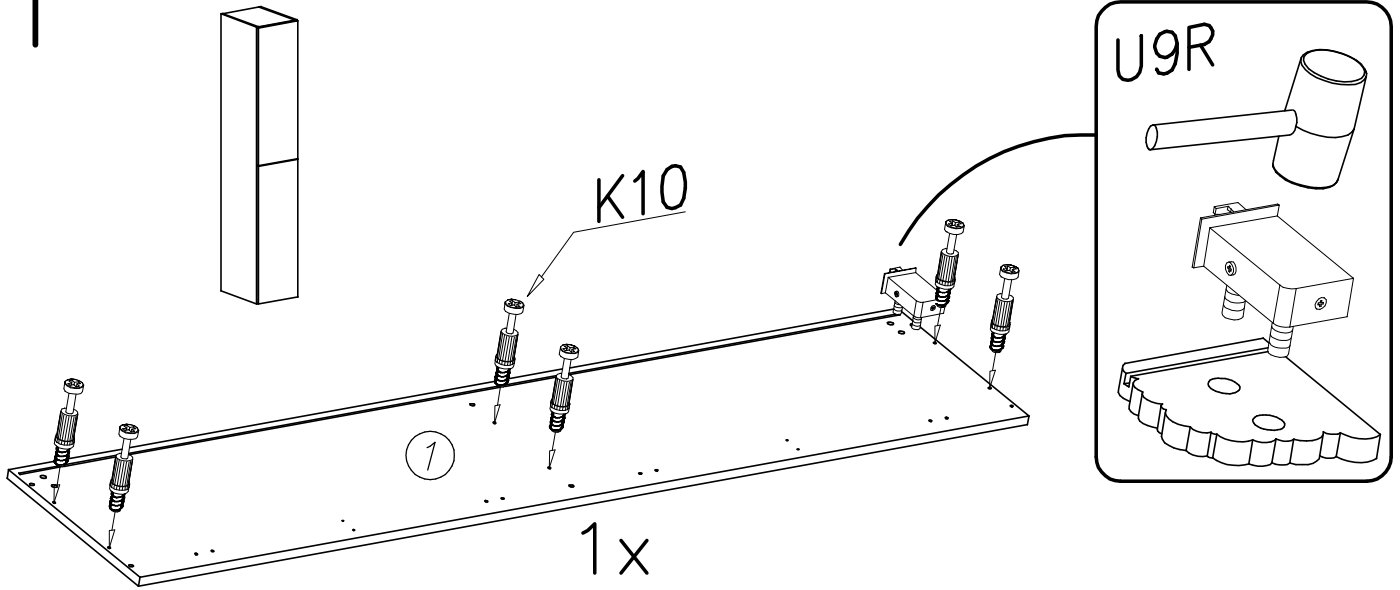


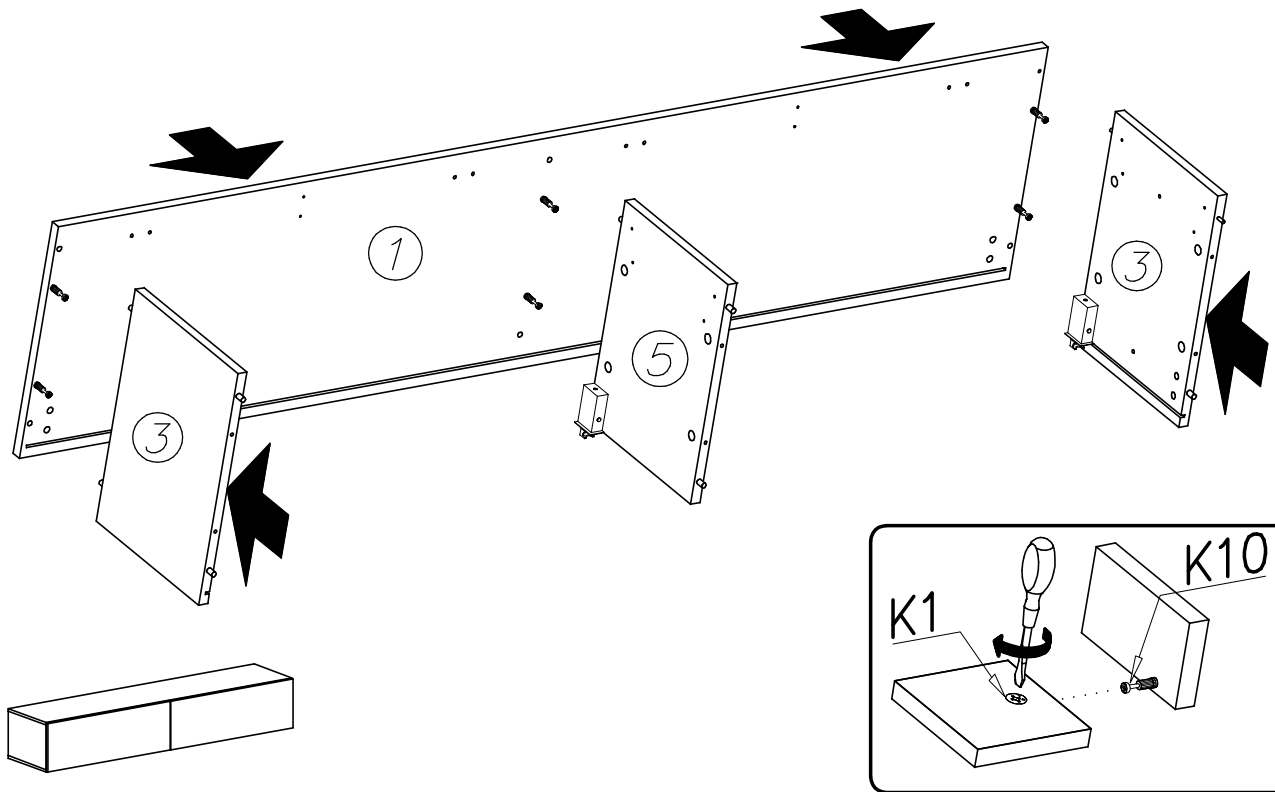
G32 3,5x16 x...(20)	N7 M4x15 x...(2)	I4 ø5 x...(12)	I10 ø10 x...(12)	L13 x...(2)
U9L x...(1)	U9R x...(2)	U10L x...(1)	U10R x...(2)	U7 x...(3)
K1 ø15x12 x...(12)	I7 x...(12)	I1 x...(10)	G57 3,5x16 x...(4)	U8 ø10x60 x...(3)
K10 x...(12)	B1 ø8x35 x...(12)	C3 Z35PR x...(4)	D3 PZ35PR x...(4)	G34 3,5x16 x...(10)



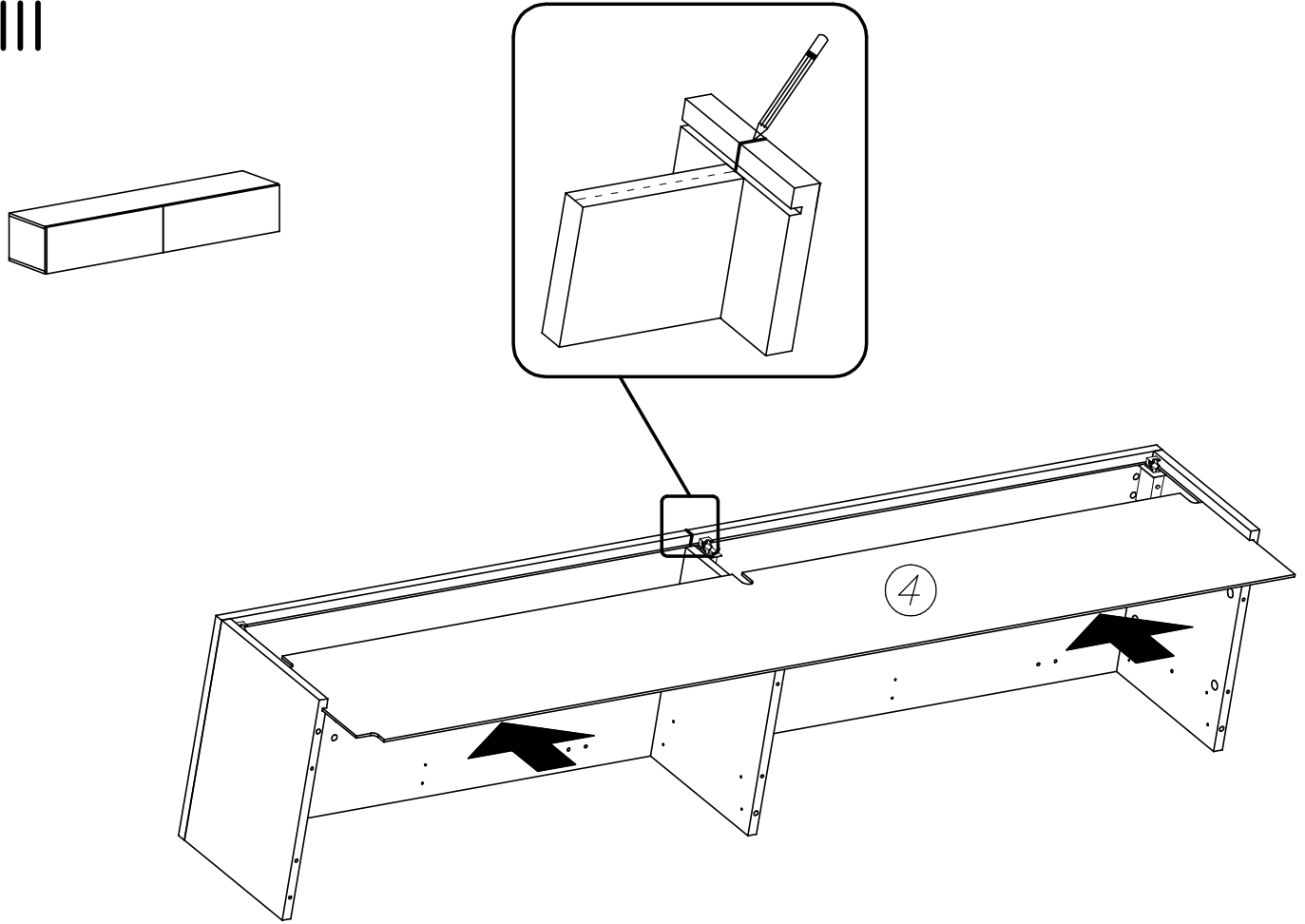
I



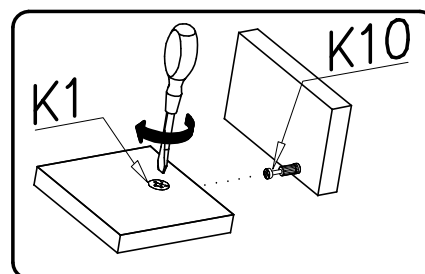
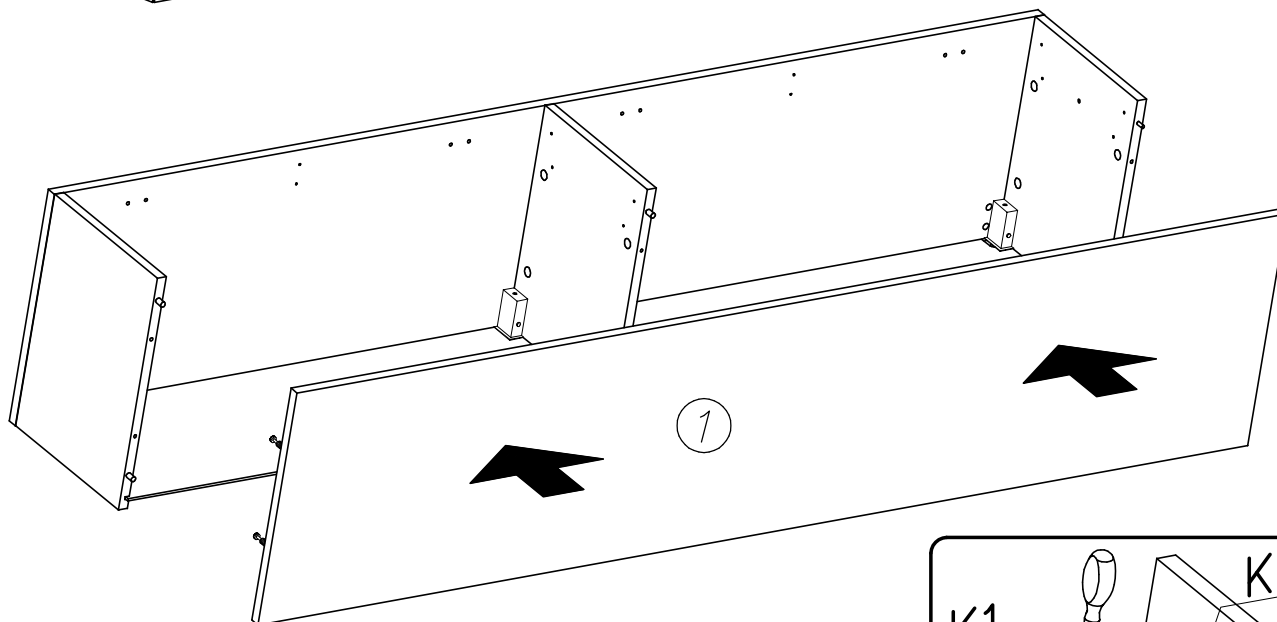
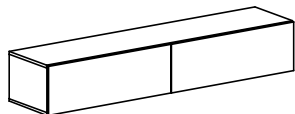
II



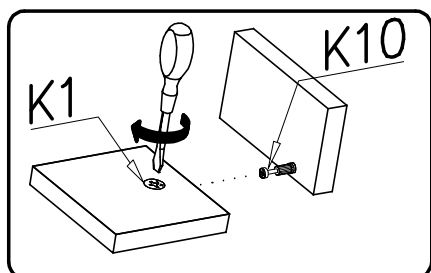
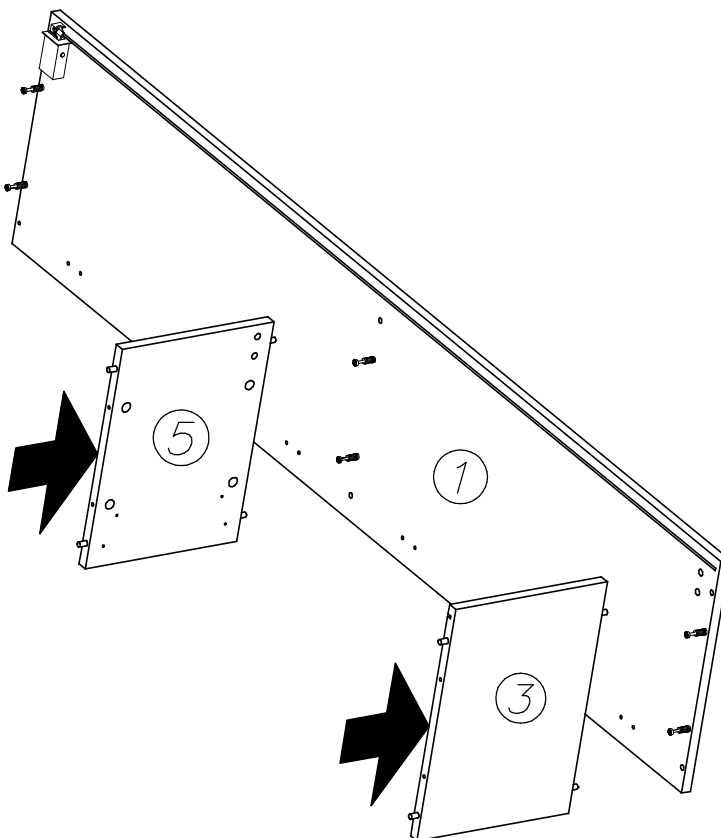
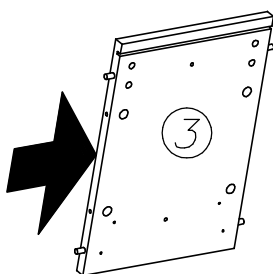
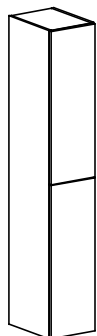
III



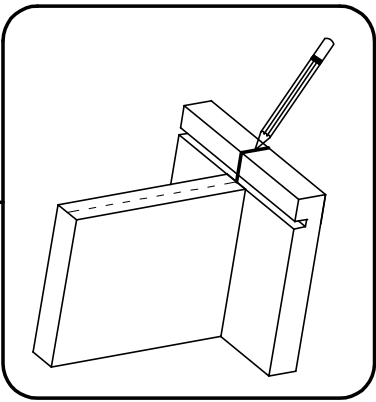
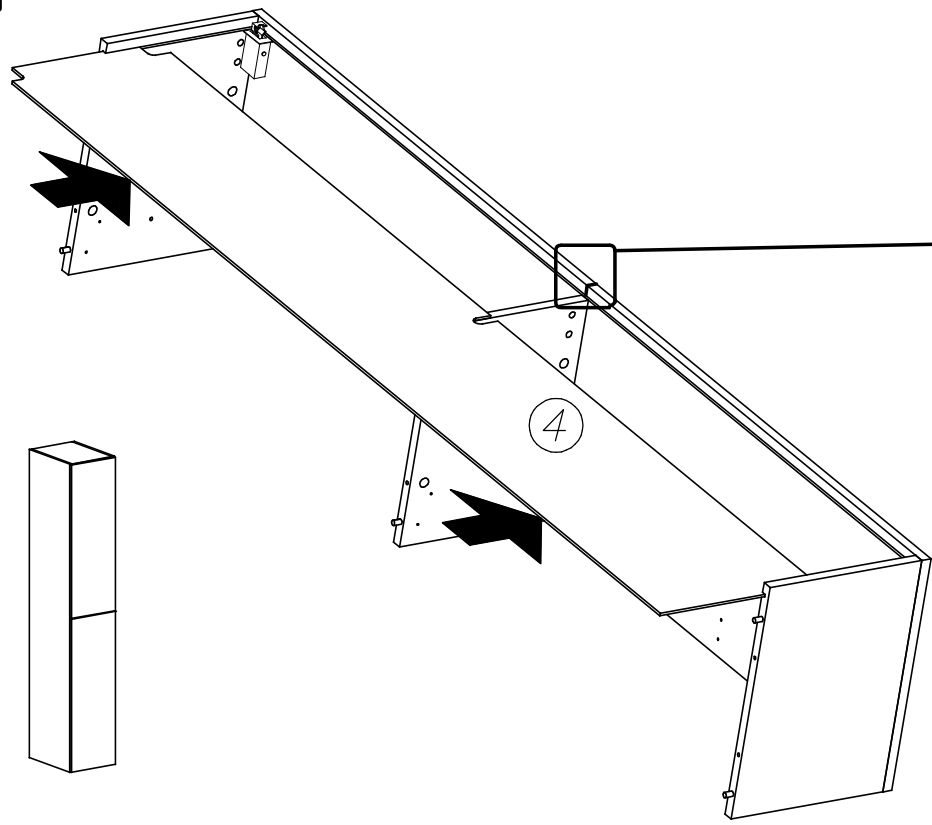
IV



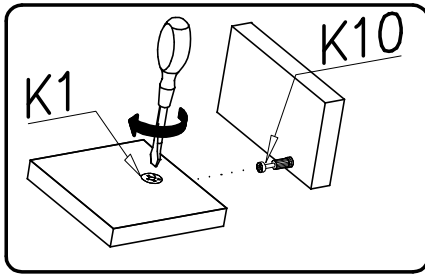
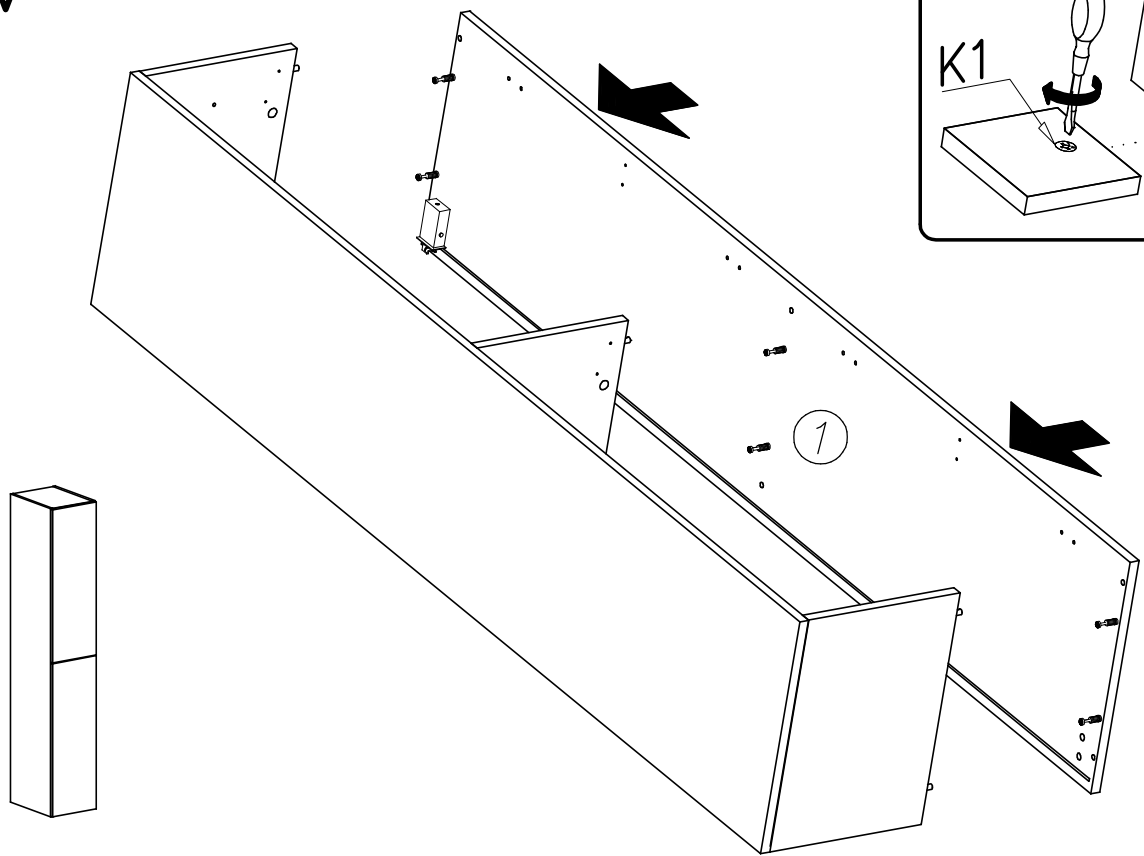
II



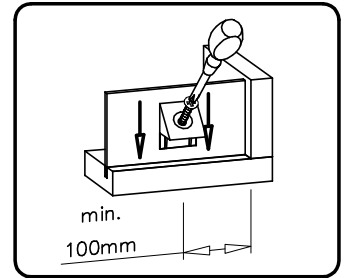
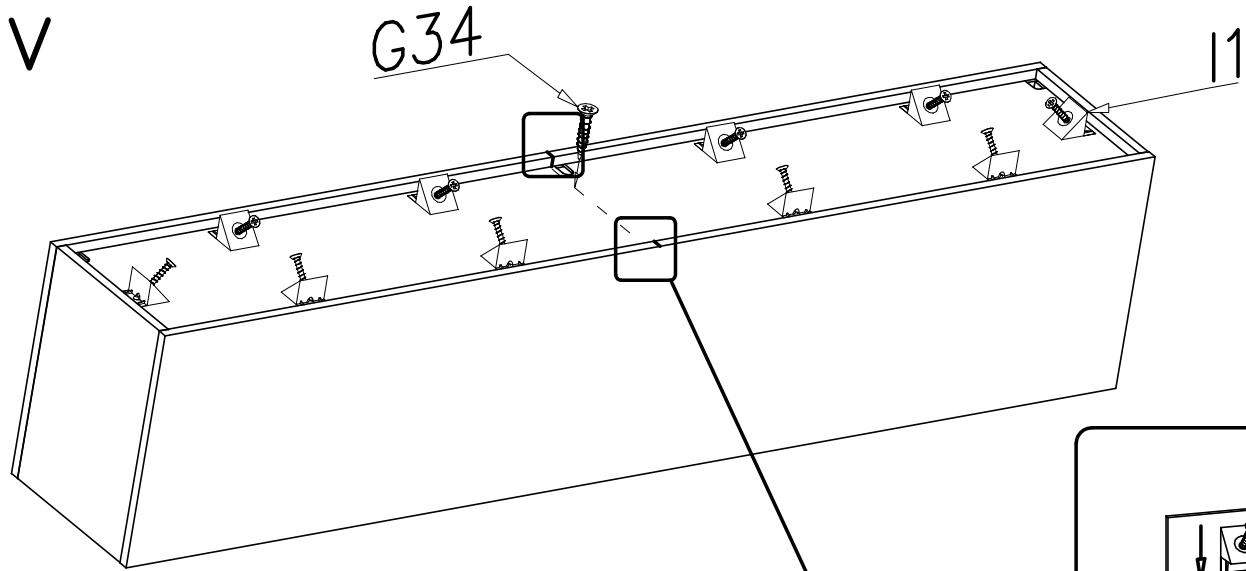
III



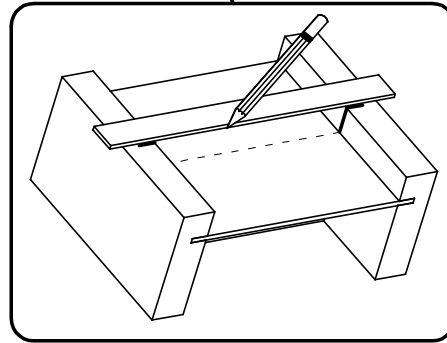
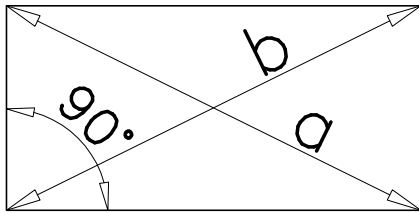
IV



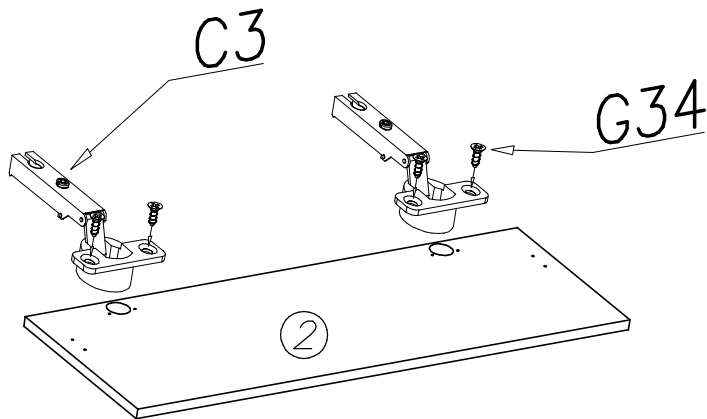
V



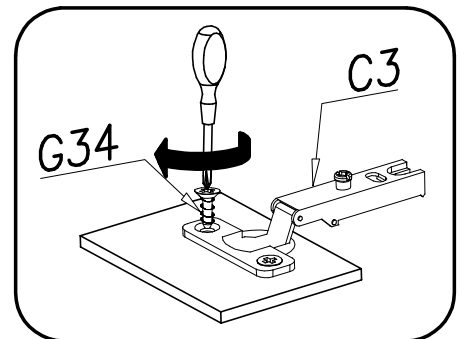
$a=b$



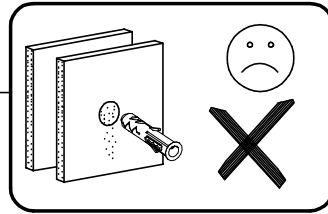
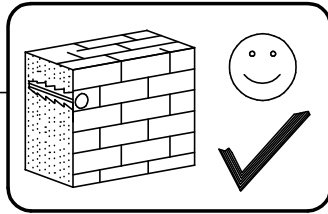
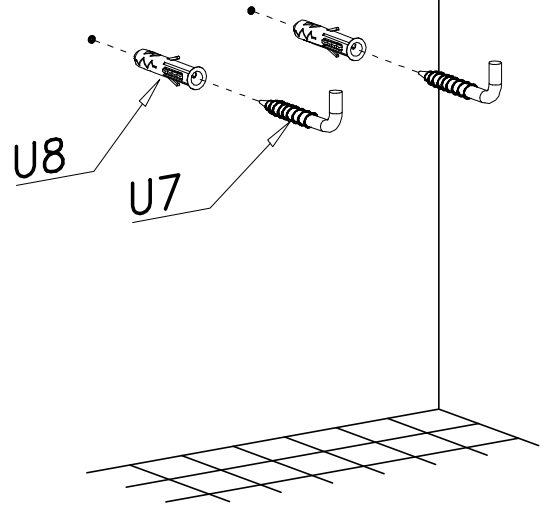
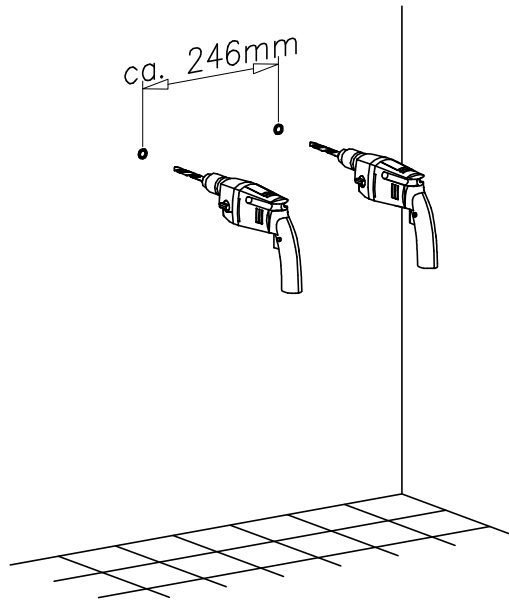
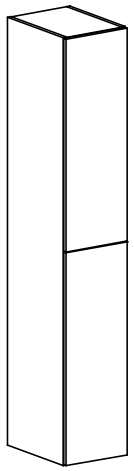
VI



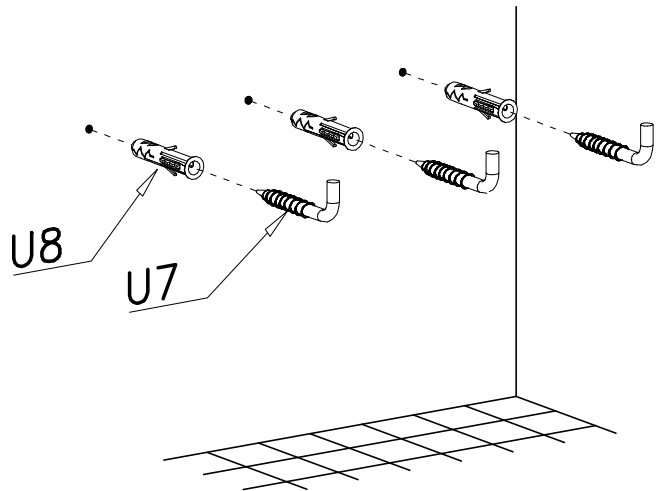
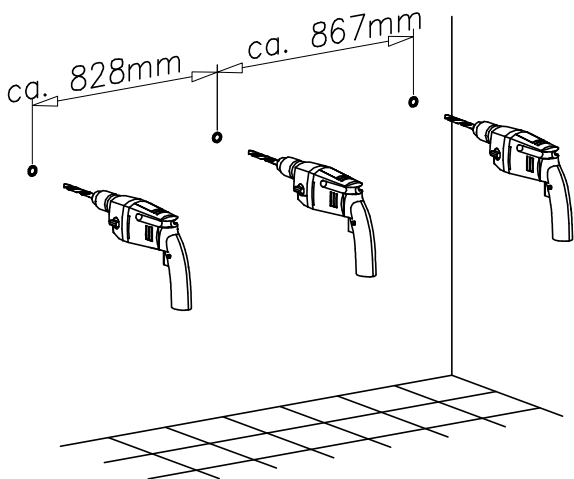
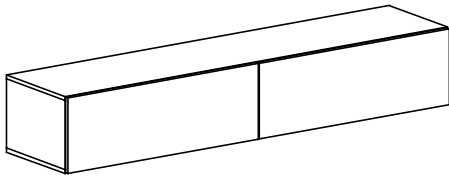
2x



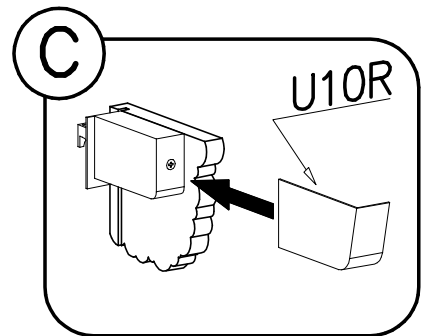
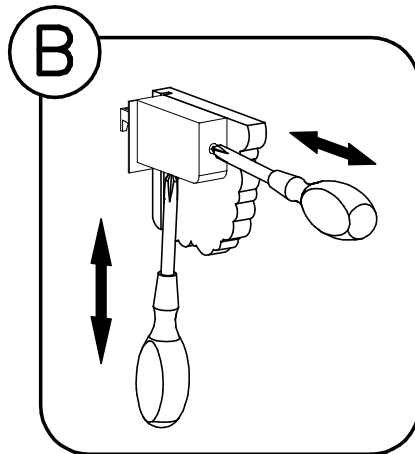
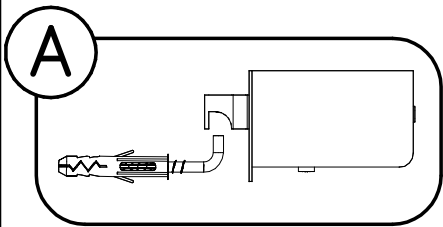
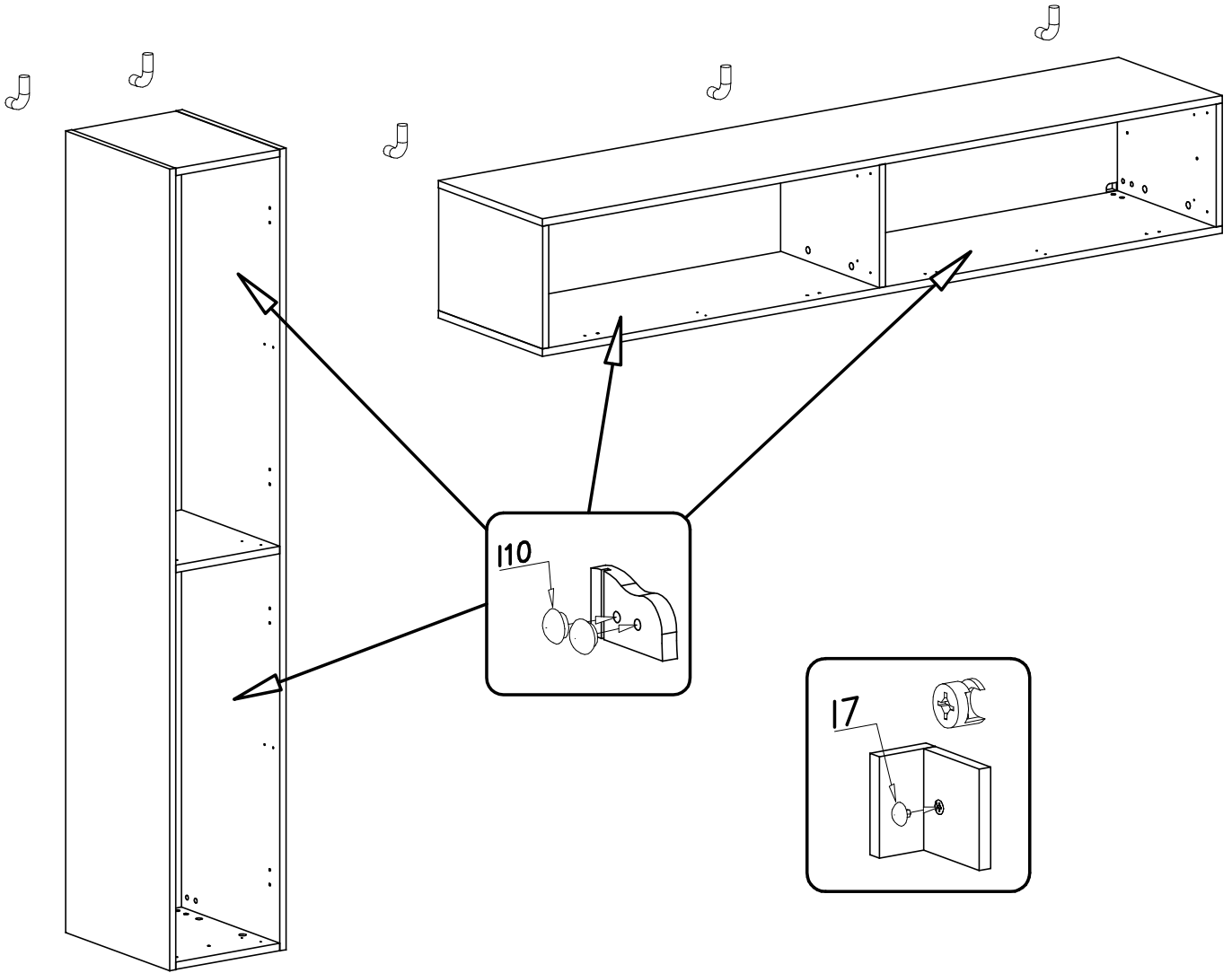
VII



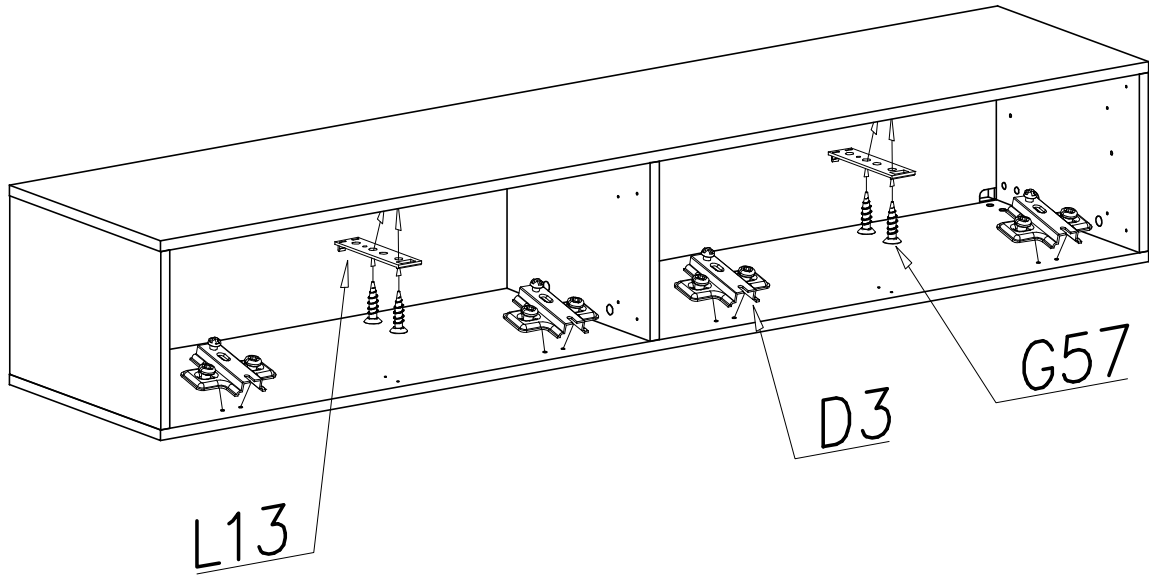
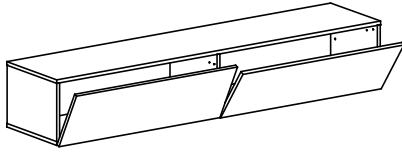
VII



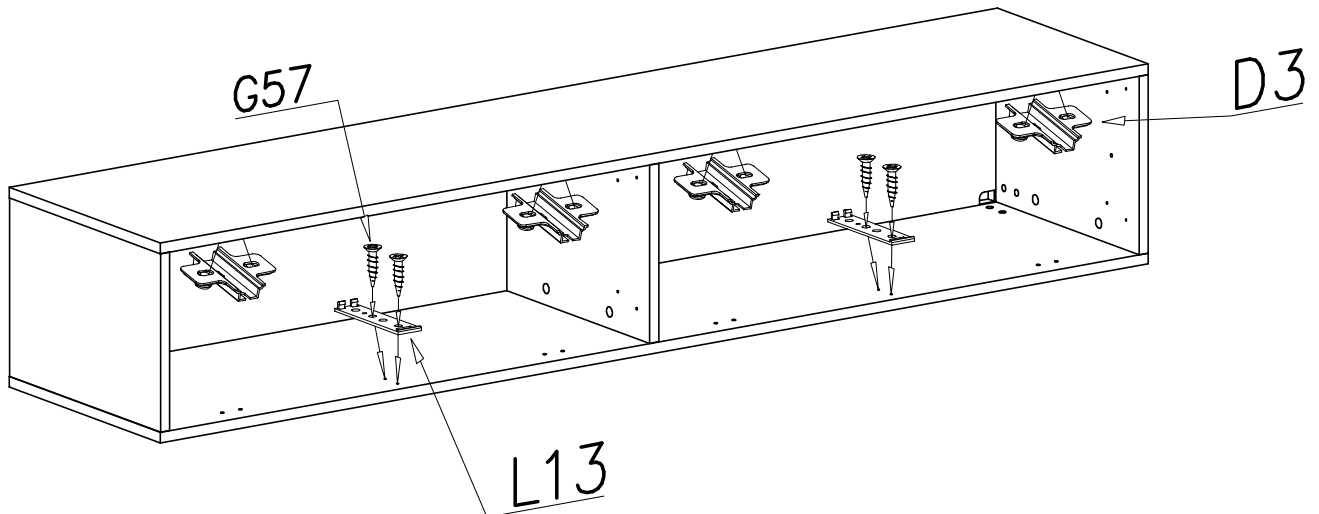
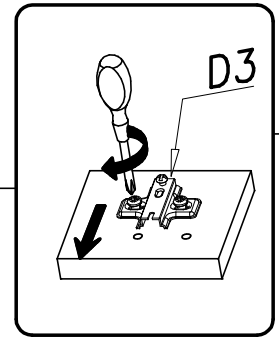
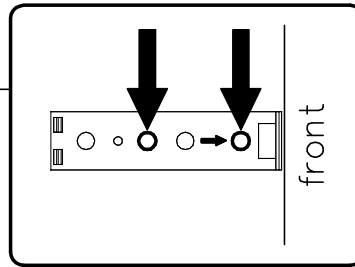
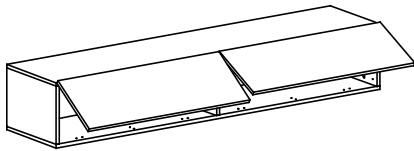
VIII



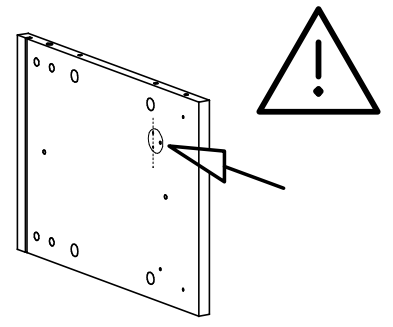
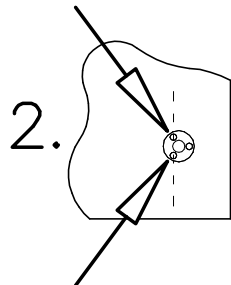
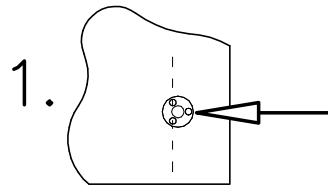
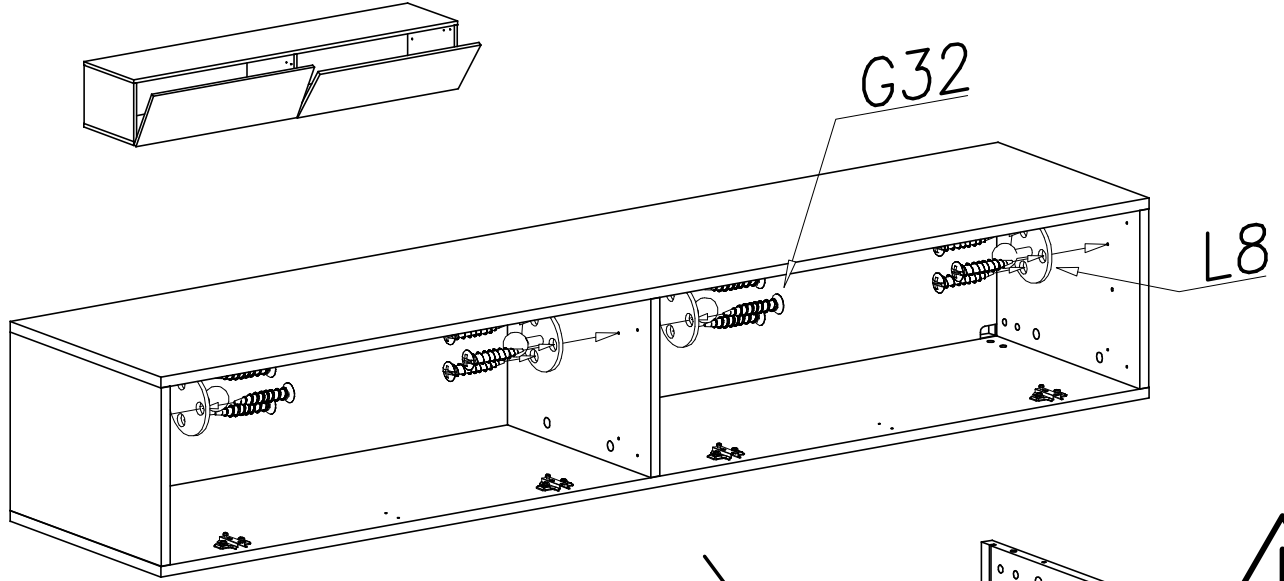
IX



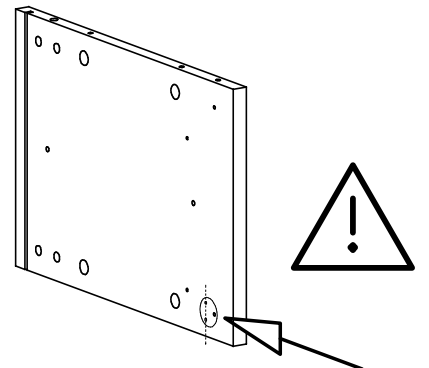
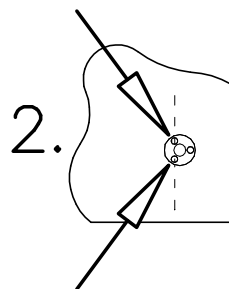
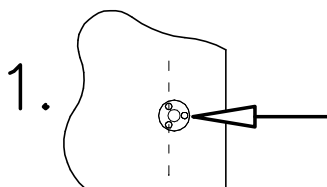
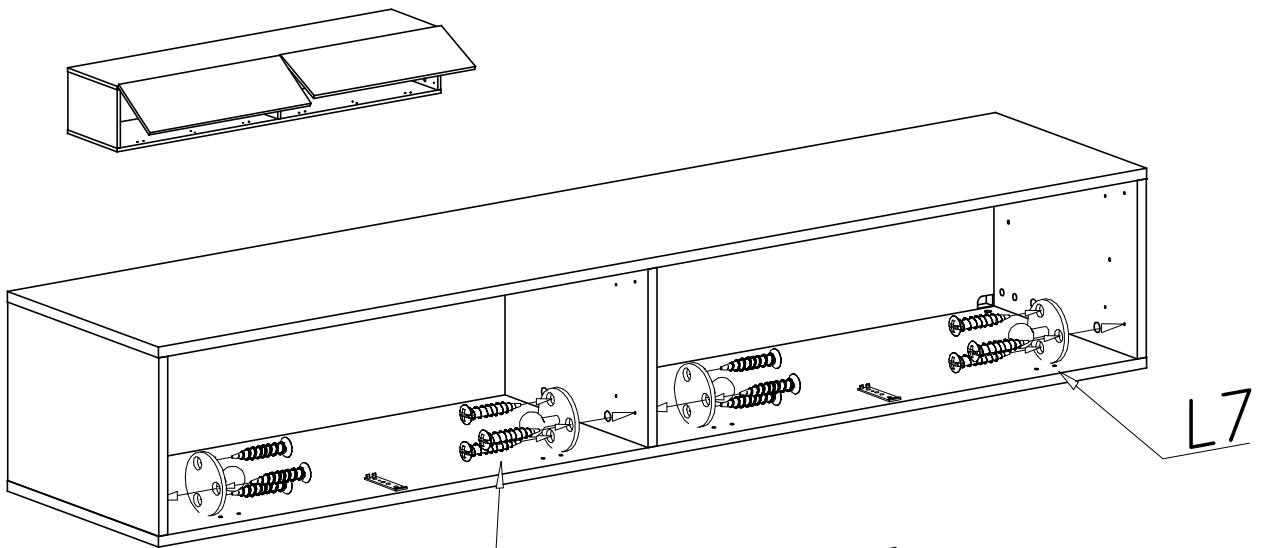
IX



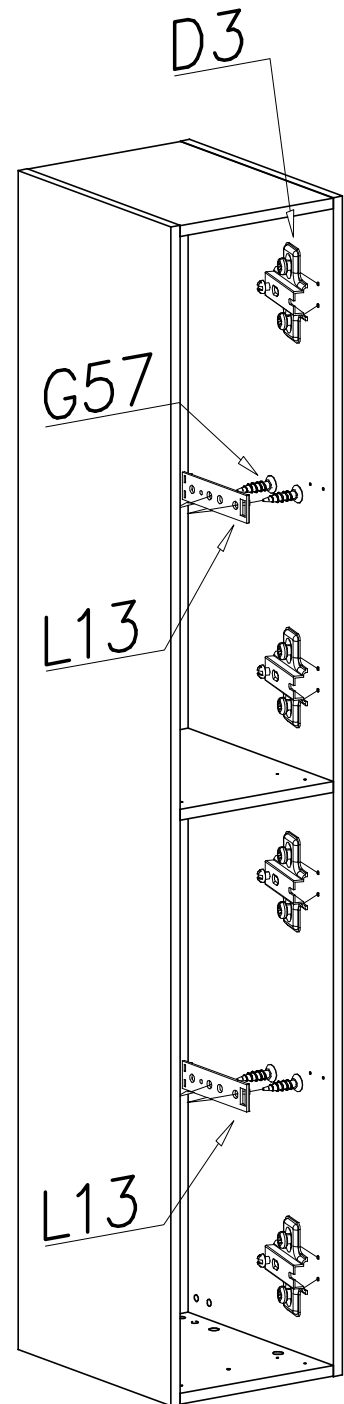
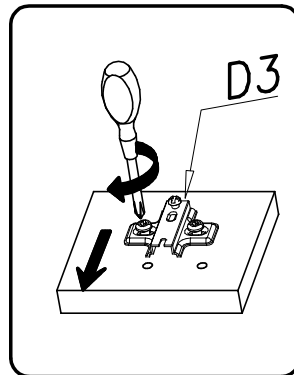
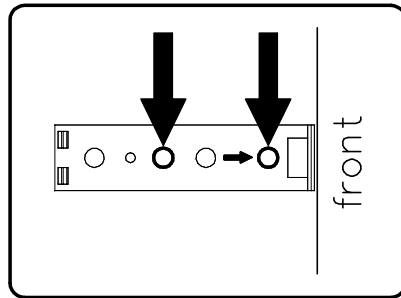
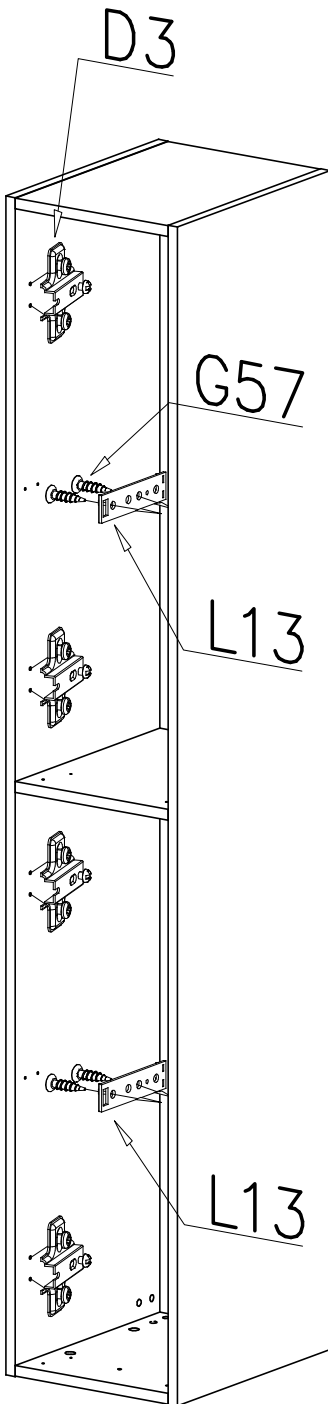
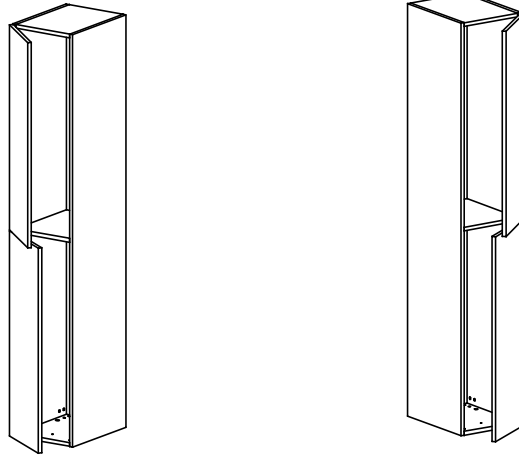
X



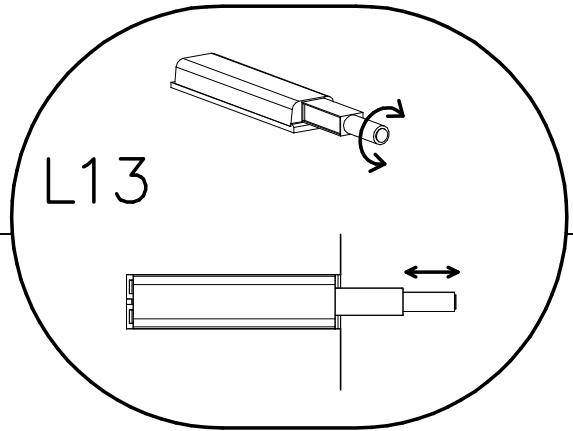
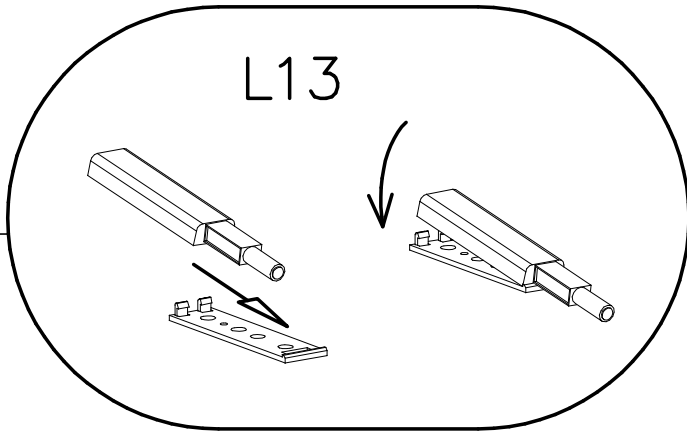
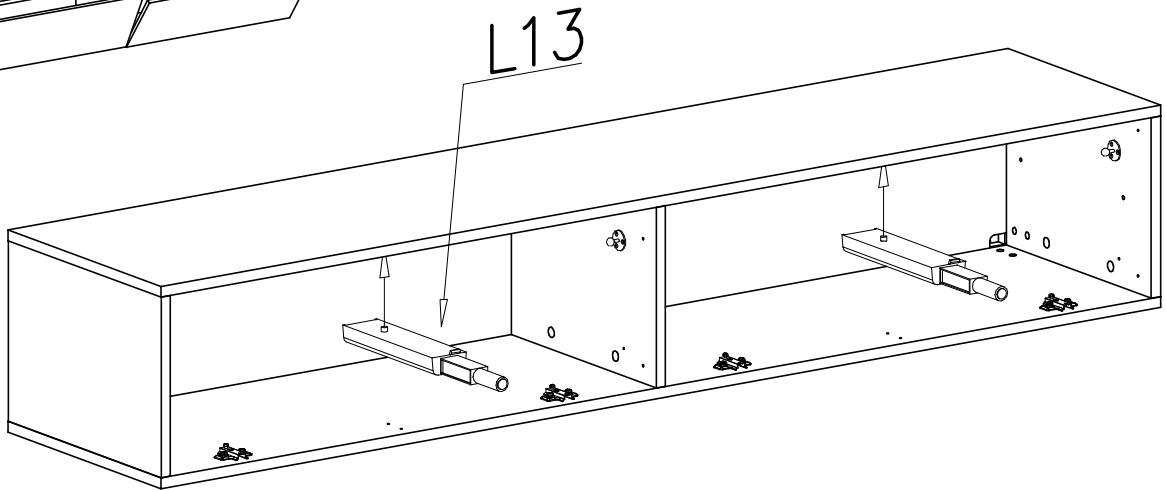
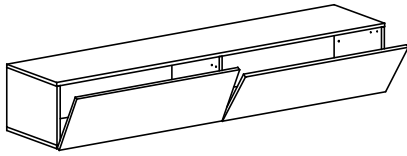
X



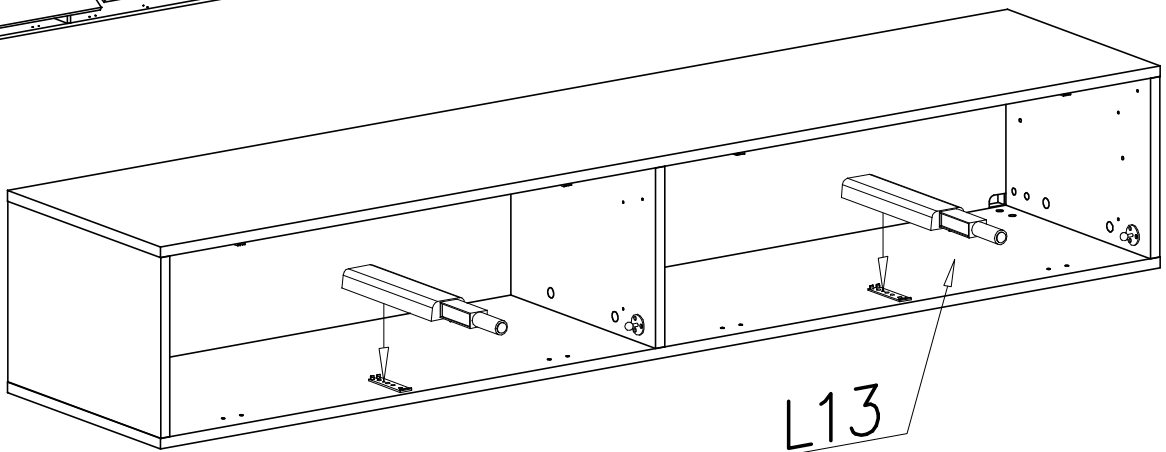
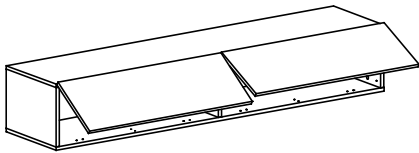
XI-X



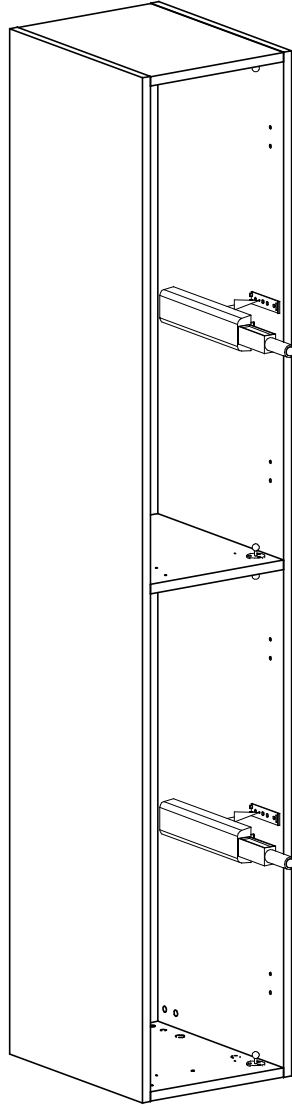
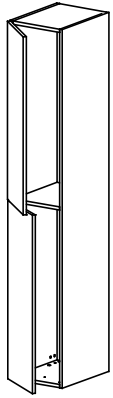
XI



XI

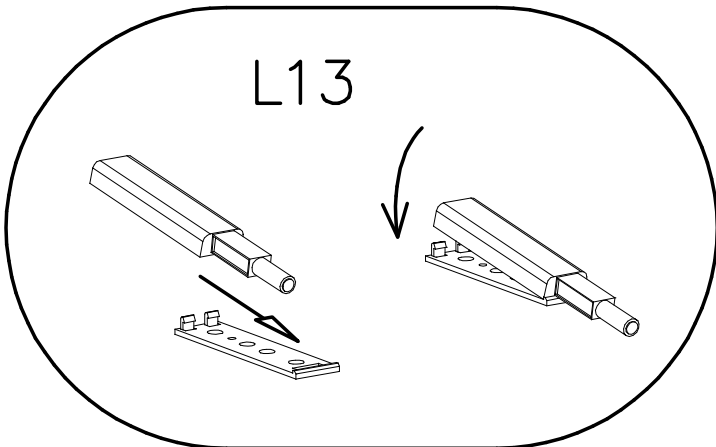
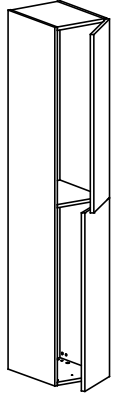
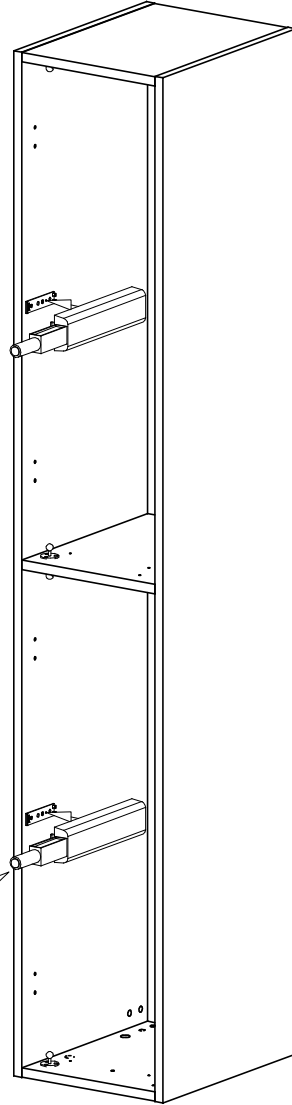


XI

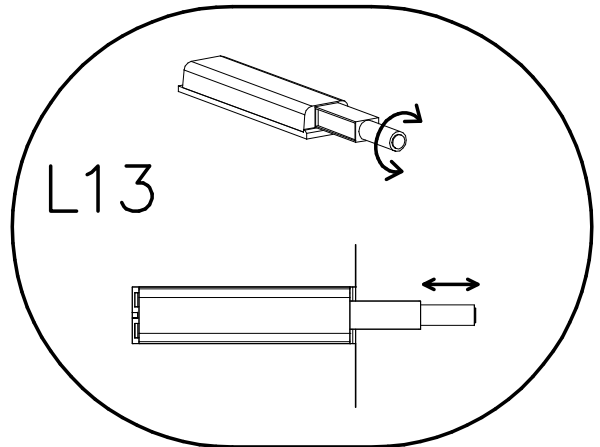


L13

L13

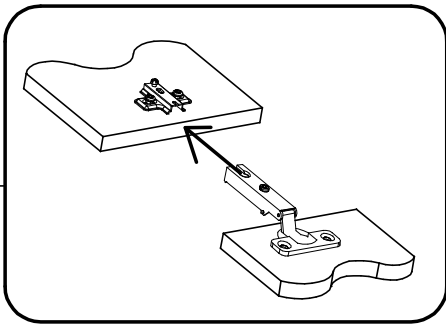
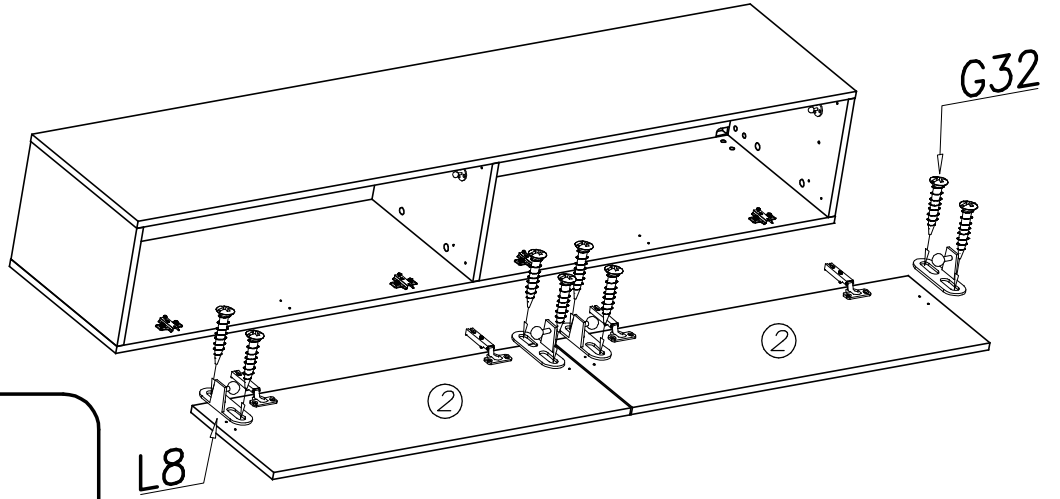
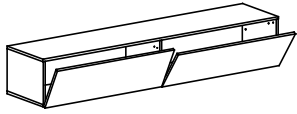


L13

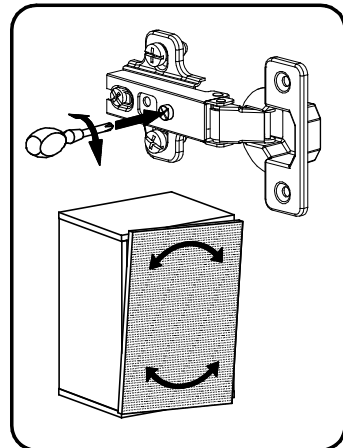
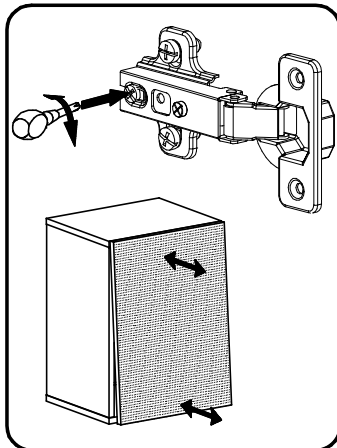
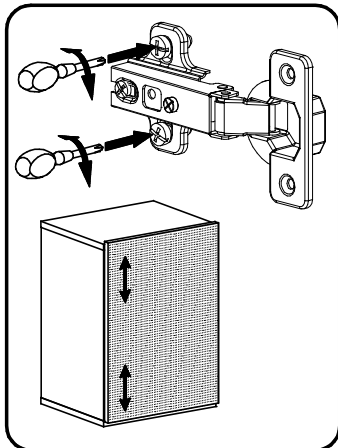
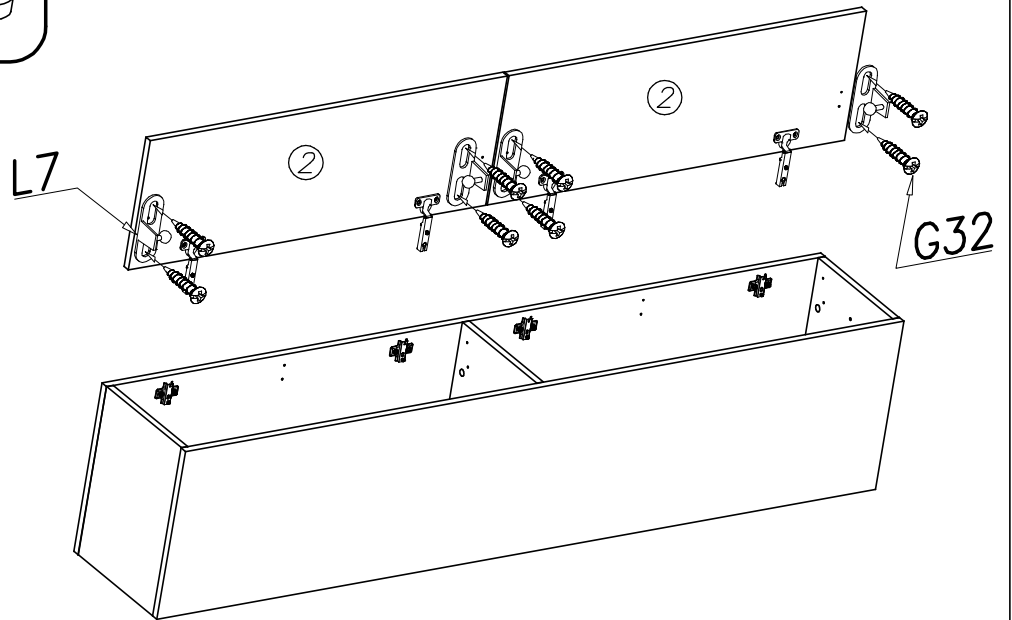
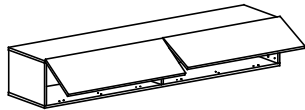


L13

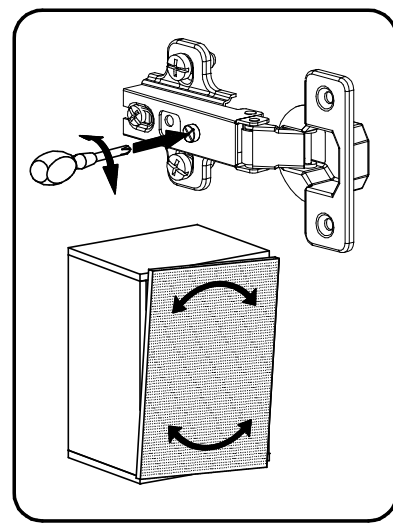
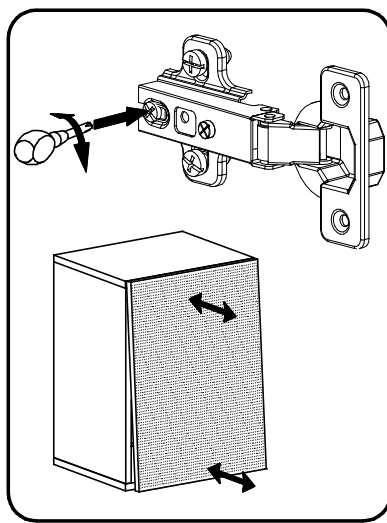
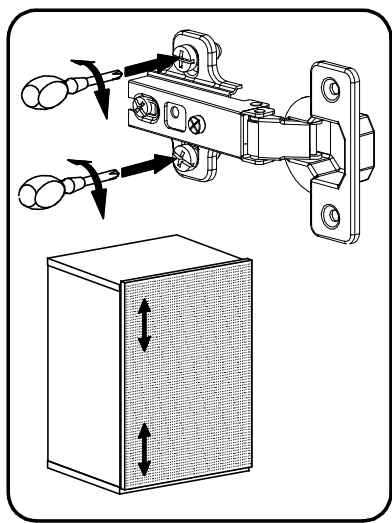
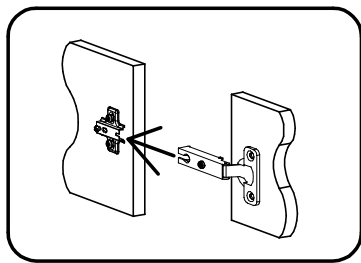
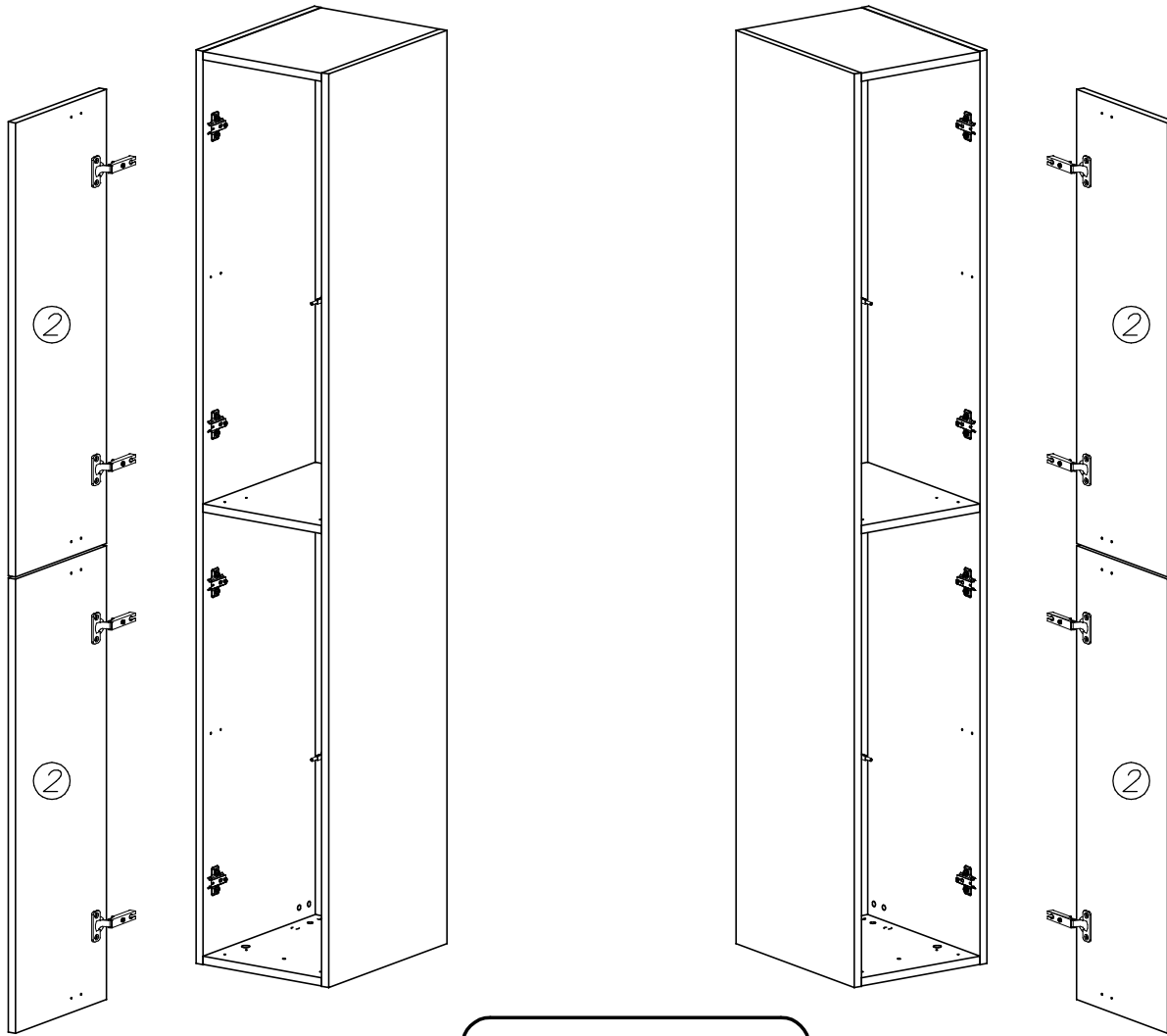
XII



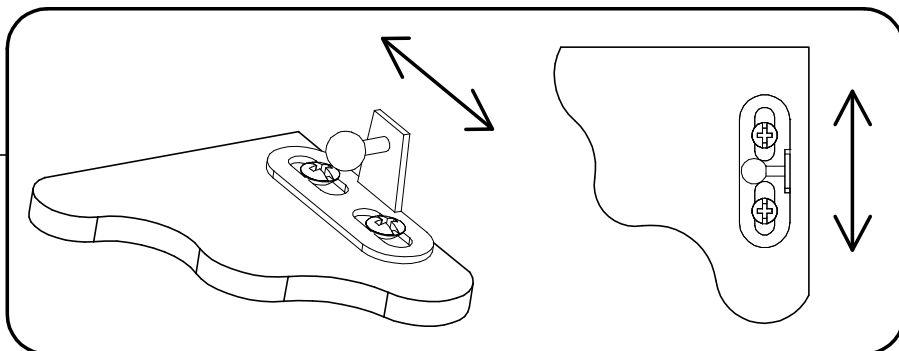
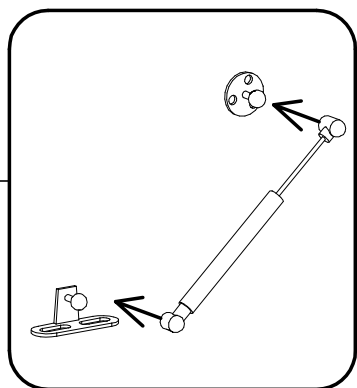
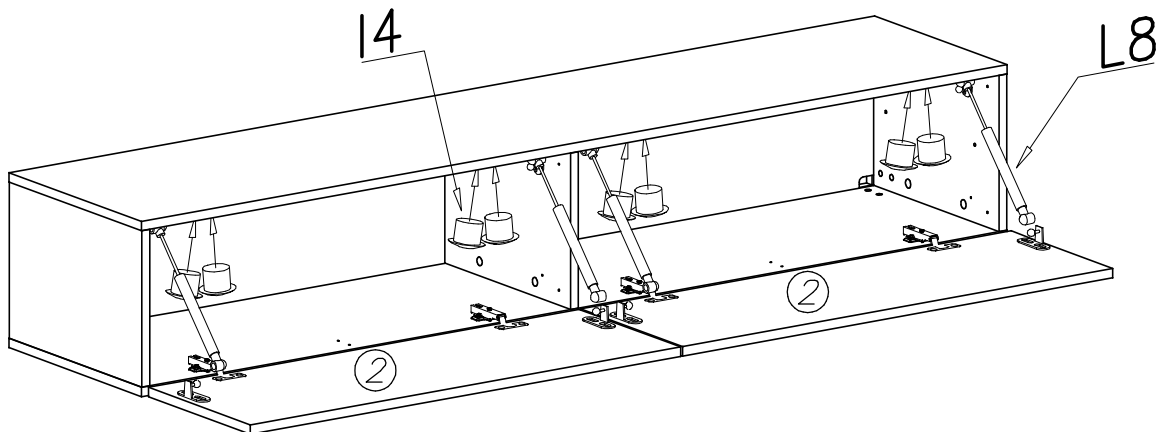
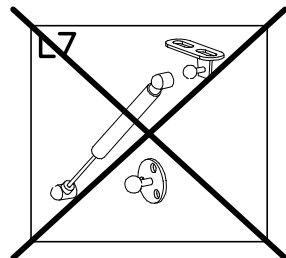
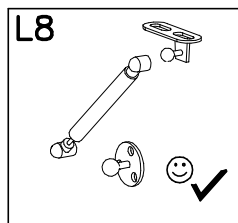
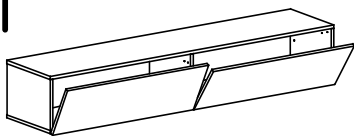
XII



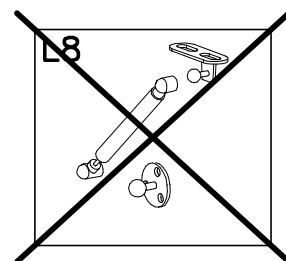
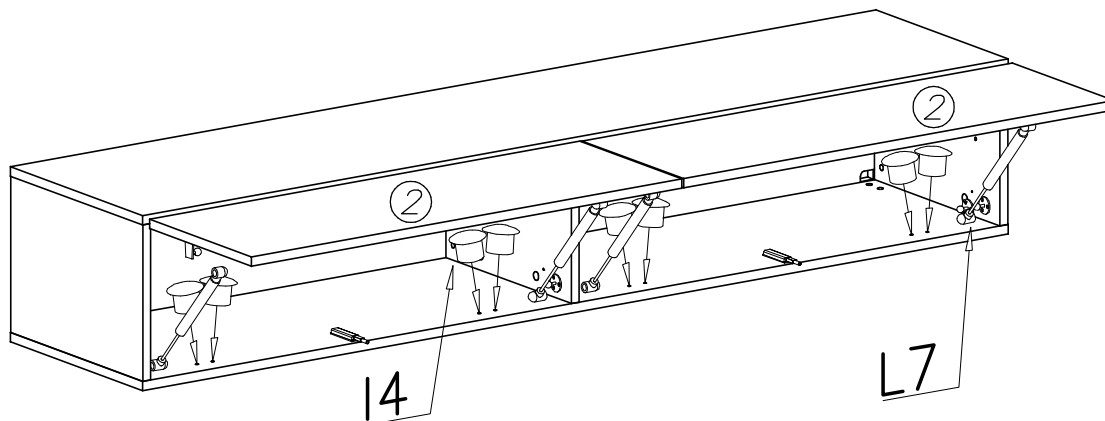
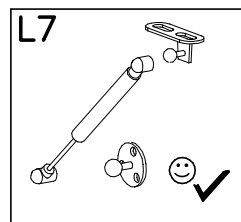
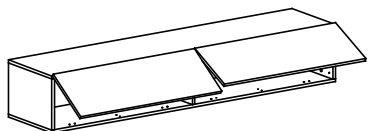
XII



XIII



XIII



XIV

