

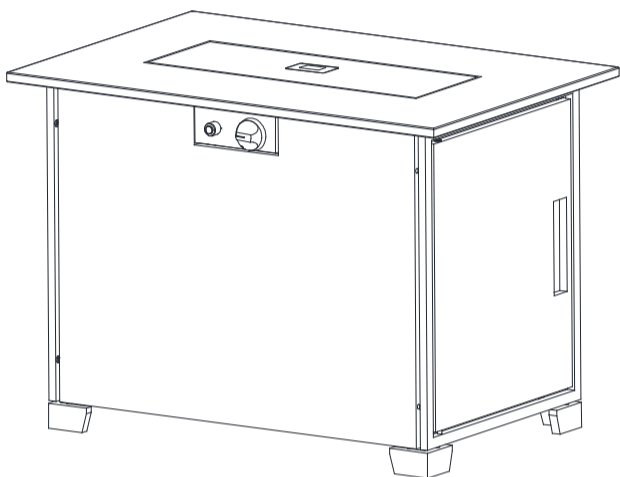
# META STEEL K.D. RATTAN FIREPIT TABLE 90X60CM

## ASSEMBLY INSTRUCTIONS

# GRANDPATIO

Item#

Model# 785.0510.000



FOR YOUR SAFETY: Surfaces of fire pit can remain extremely hot for a period after use. Allow 45 minutes to cool down before touching or moving the fire pit.

### **DANGER** FIRE OR EXPLOSION HAZARD

If you smell gas:

- Shut off gas to the appliance .
- Extinguish any open flame.
- If odor continues, leave the area immediately.
- After leaving the area, call your gas supplier or fire department.

Failure to follow these instructions could result in fire or explosion, which could cause property damage, personal injury or death.

### **WARNING**


Do not store or use gasoline, or other flammable vapors and liquids, in the vicinity of this or any other appliance.


An LP-cylinder not connected for use shall not be stored in the vicinity of this or any other appliance.

### **WARNING: For Outdoor Use Only**

Installation and service must be performed by a qualified installer, service agency, or the gas supplier.

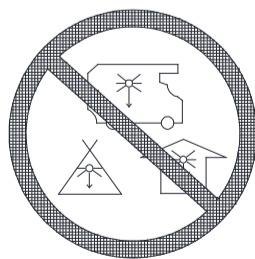
**INSTALLER: Leave this manual with the appliance.**  
**CONSUMER: Retain this manual for future reference.**

 **WARNING: If the information in this manual is not followed exactly, a fire or explosion may result causing property damage, personal injury, or loss of life.**

 **WARNING: Failure to position the parts in accordance with these diagrams or failure to use only parts specifically approved with this appliance may result in property damage or personal injury.**

Save these instructions for future use. If you are assembling this unit for someone else, give this manual to him or her to read and save for the future.

### **DANGER**



### **CARBON MONOXIDE HAZARD**

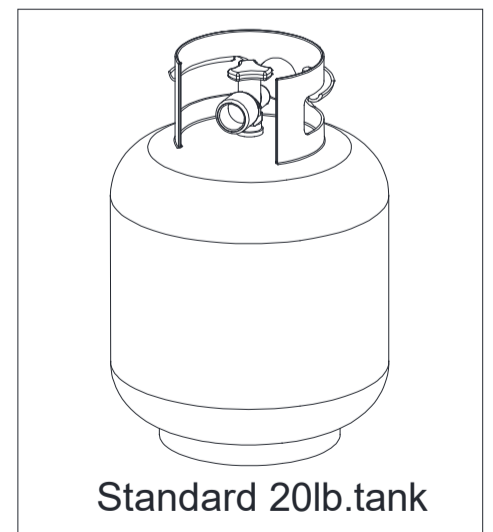
- This appliance can produce carbon monoxide which has no odor .
- Using it in an enclosed space can kill you.
- Never use this appliance in an enclosed space such as a camper, tent, car or home

# IMPORTANT SAFETY INFORMATION

Before you assemble or operate this unit, please carefully read this entire manual. Failure to do so may result in a fire, explosion, injury or death.

## **WARNING**

- The installation of this unit must adhere to local codes or either the National Fuel Gas Code, ANSIZ223.1/NEPA54, OR CAN/CGA-B149.1, National Gas and Propane Installation Code.
- THIS UNIT IS INTENDED FOR OUTDOOR USE ONLY! This product shall be used outdoors, in a ventilated space and shall not be used in any enclosed area.
- This unit is to be used with propane gas only!(sold separately)
- Do not attach a remote gas supply to this unit.
- Only use propane gas for this unit.
- This unit is not intended for natural gas.
- Converting this unit to natural gas is dangerous and not recommended. The conversion of this unit will void the manufacturer warranty.
- Do not use any solid fuel or charcoal for this unit.
- When igniting this unit, stay away from the burner as the flame will light up and may cause injury.
- LP GAS WARNING: DO not use any more than 1/4in depth lava rocks/pumice stones/LavaGlass<sup>®</sup> above the burner holes. Doing so will suffocate the flame.
- If the propane gas tank is leaking gas, you may hear, see, or smell a hiss. Do the following:  
1.Disconnect the propane gas tank. 2. Do not attempt to fix the problem yourself. 3. Contact your gas supplier or fire department for help.
- Applying too much propane may result in gas pooling and will not burn. Allow fresh air into the unit so that the remaining gas may escape.
- Do not use a flame to check for gas leaks.
- The max. inlet supply pressure: max. Gas supply 11in w.c.(2.74kPa)
- Use LP propane tanks with the following dimensions: diameter 12 in, height 18 in-capacity 20 lbs.
- You must use a propane tank that has a collar to protect the gas valve.
- DO NOT fill tank over 80 percent full.
- The tank system must be set up for vapor withdrawal.
- Discontinue use if any part of the propane tank is damaged. Rust and dents may be hazardous and should be inspected by a gas supplier.
- Do not burn anything other than the provided materials for this fire table.
- Keep away from the unit for the first 20 minutes after igniting your unit for the first time, as lava rocks/pumice stones/LavaGlass<sup>™</sup> could pop out and cause injury. Should any rocks pop out, discard them.
- Always ensure that lava rocks/pumice stones/LavaGlass<sup>®</sup> are completely dry before use. Failure to do so will cause them to crack or pop.
- Do not operate unit all parts are fully assembled.
- Do not paint or color any part of this heating unit.
- Unit may be hot while in use, do not attempt to move it while in use.
- Never leave this heating unit unattended while in use.
- This unit is not intended for cooking.
- Keep any flammable items away and do not use any other fireplace cover for this unit.
- Keep a safe distance to avoid burning skin or clothing.
- Do not sit or rest hands or feet on this heating unit.
- Never place hands or fingers on upper portion of this unit while in use.
- Keep all electrical cords and fuel supply hose away from heated surfaces.

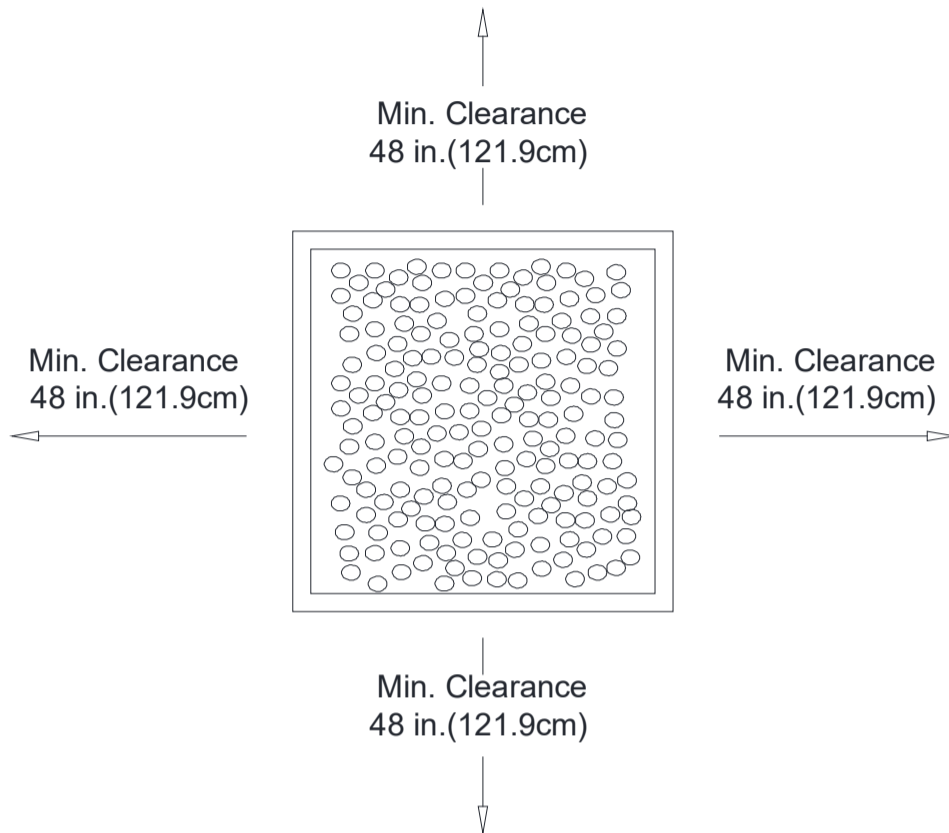


- Combustible material should not be within 60 inches of the top of the unit, or within 48 inches around the entire unit.
- Keep the appliance area clear and free from combustible material, gasoline and other flammable vapors and liquids.
- If the flame goes out while burning, turn the gas valve off. Wait 5 minutes before repeating the initial lighting procedure. Once you have a flame started, hold down the control knob for 1 minute.
- Do not add water into the unit.
- Do not operate unit if any part has been under water. Immediately call a qualified service technician to inspect the appliance and replace any part of the control system and any gas control that has been under water.
- Do not disconnect any part while unit is in use.
- Do not store a spare propane tank on or near this unit.
- If the heating unit is indoors, detach the propane tank and leave outdoors.
- Do not operate on a boat or vehicle. This unit must be used on a flat surface and outdoors ONLY
- Always remove protective cover before operating (if applicable).
- Do not set the protective cover over the unit until it is turned off and completely cooled down.
- Check for leaks after not using the unit for long period of time.
- Children should never operate this unit. Children must be supervised while near this unit.
- Keep gas tank at least 5 feet away from unit when lit. (if external tank)
- The maximum gas supply pressure is 250psi. The minimum gas supply pressure is 25psi.
- All installation and repair should be done by a qualified professional. This unit should be inspected annually and cleaned regularly.
- Inspect all elements of this heating unit before each use. If there is damage, the burner must be replaced.
- Keep the hose out from any pathways to eliminate any accidental damage. (if external tank)
- Be aware of the hazards of high temperatures and stay away from the unit to avoid any burns or injury.
- The gas supply tank should be constructed and marked with the specifications for the LP gas tanks of the U.S. Department of Transportation or the National Standard of Canada CAN/CSA-B339, LP gas tanks, spheres and tubes for Transportation of Dangerous Goods; and Commission.
- The LP gas tank must have a listed overfilling prevention device and a QCCI or Type I, (CGA810) LP gas tank connection.
- This heating appliance should not be used on plastic or artificial wood decks.
- **Children and adults should be alerted to the hazards of high surface temperatures and should stay away to avoid burns or clothing ignition.**
- **Young children should be carefully supervised when they are in the area of the appliance.**
- **Clothing or other flammable materials should not be hung from the appliance or placed on or near the appliance.**
- **Any guard or other protective device removed for servicing the appliance shall be replaced prior to operating the appliance.**
- **Installation and repair should be done by a qualified service person. The appliance should be inspected before use and at least annually by a qualified service person. More frequent cleaning may be required as necessary. It is imperative that the control compartment, burners and circulating airways of the appliance are kept clean.**

**IF APPLICABLE:**

- Allow heating item to cool completely before placing on lid.
- DO NOT use heating item while lid is installed. Always remove the lid while heating item in use.

NOTE: You must follow all steps to properly assemble this heating item. Make sure the gas valve is turned "OFF" before assembling. Do NOT attempt to assemble without proper tools.



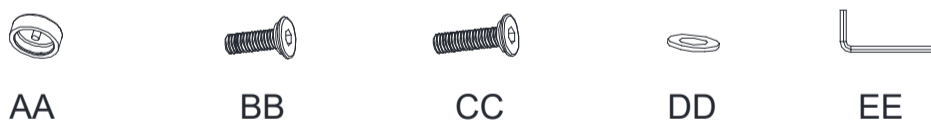
Combustible materials should not be within 60 inches of the top of the unit, or within 48 inches around the entire unit.

Before beginning assembly of this product be sure all parts are present. Compare parts with package contents list and hardware contents list. If any part appears to be missing or damaged do not begin assembly of this product and call customer service immediately.

Estimated assembly time: 30 minutes

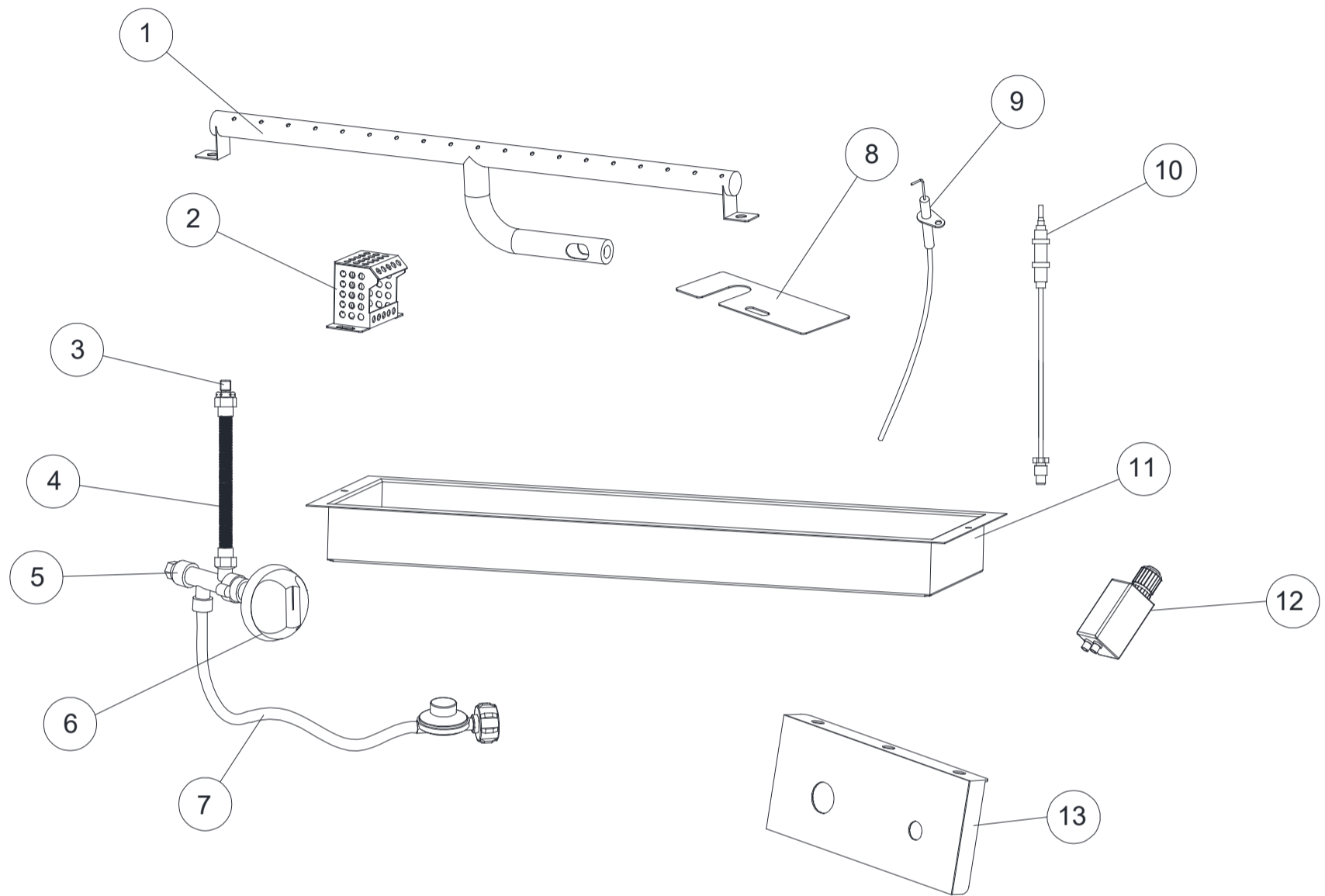
Tools required for assembly (included): Hex bolt driver

## HARDWARE



Item	Description	QTY
AA	Screw Cap	18
BB	Screw M6*25	18
CC	Screw M6*30	8
DD	Washer	18
EE	Hex bolt driver	1

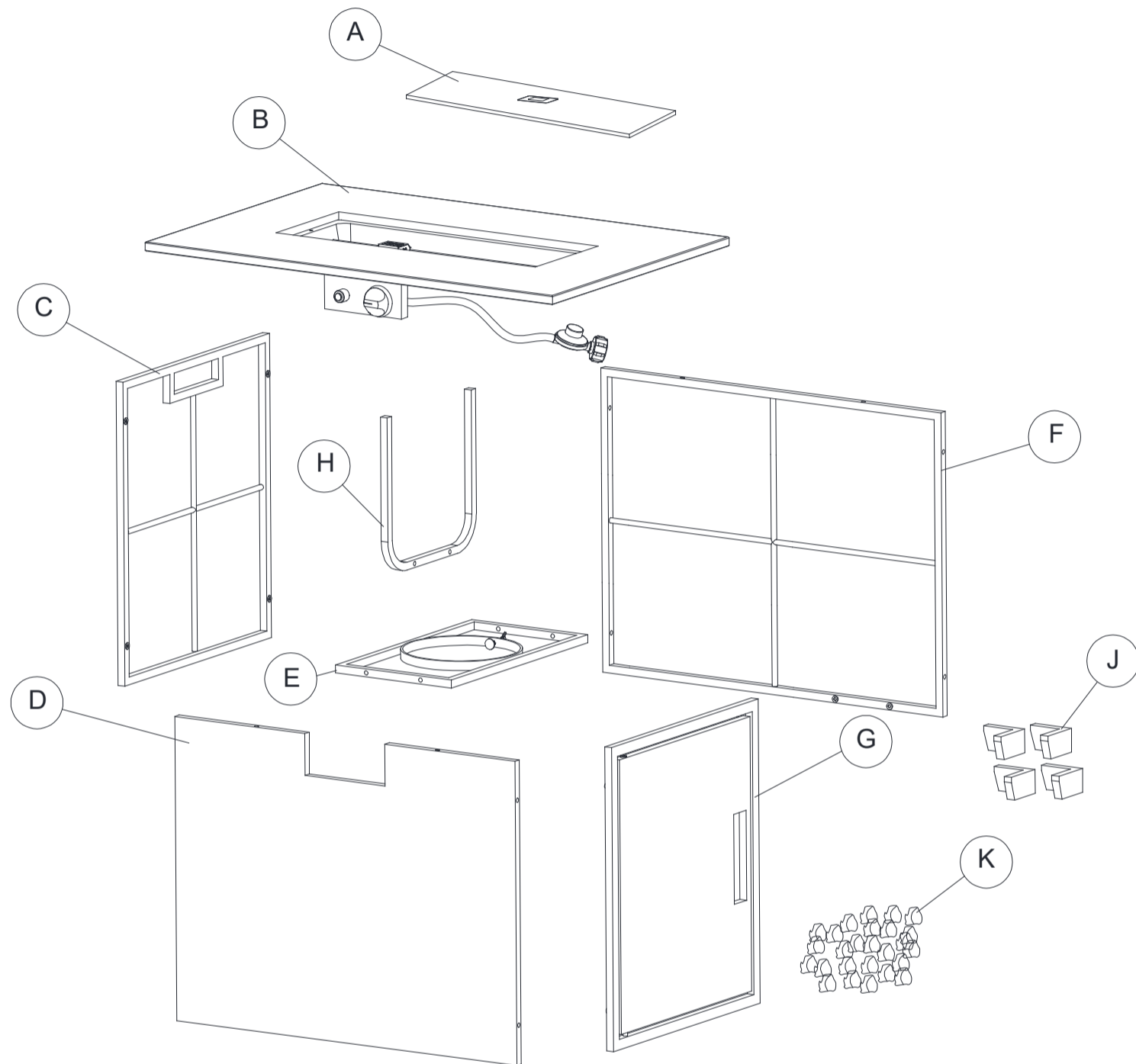
# BURNER IDENTIFICATION LIST



Item	Description	Qty
1	Burner	1
2	Guard	1
3	Orifice	1
4	Bellows	1
5	Safety Valve	1
6	Control Knob	1
7	Regulator	1

Item	Description	Qty
8	Burner Baffle	1
9	Ignition Needle	1
10	Thermocouple	1
11	Fire Pit	1
12	Ignition	1
13	Control Box	1

# PARTS IDENTIFICATION LIST



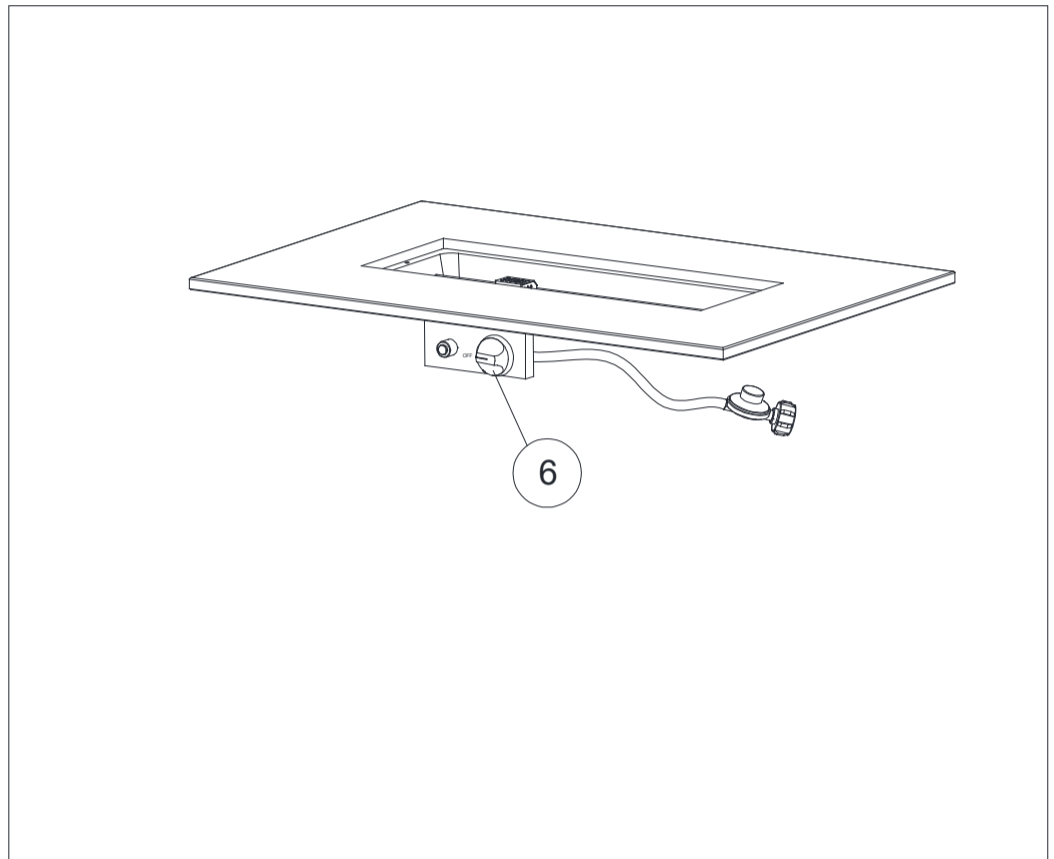
Item	Description	Qty
A	Burner Lid	1
B	Table Top	1
C	Side Panel	1
D	Front Panel	1
E	Metal Stand	1

Item	Description	Qty
F	Back Panel	1
G	Door	1
H	Profile Tube	1
J	Foot Pad	4
K	Pumice	1Box

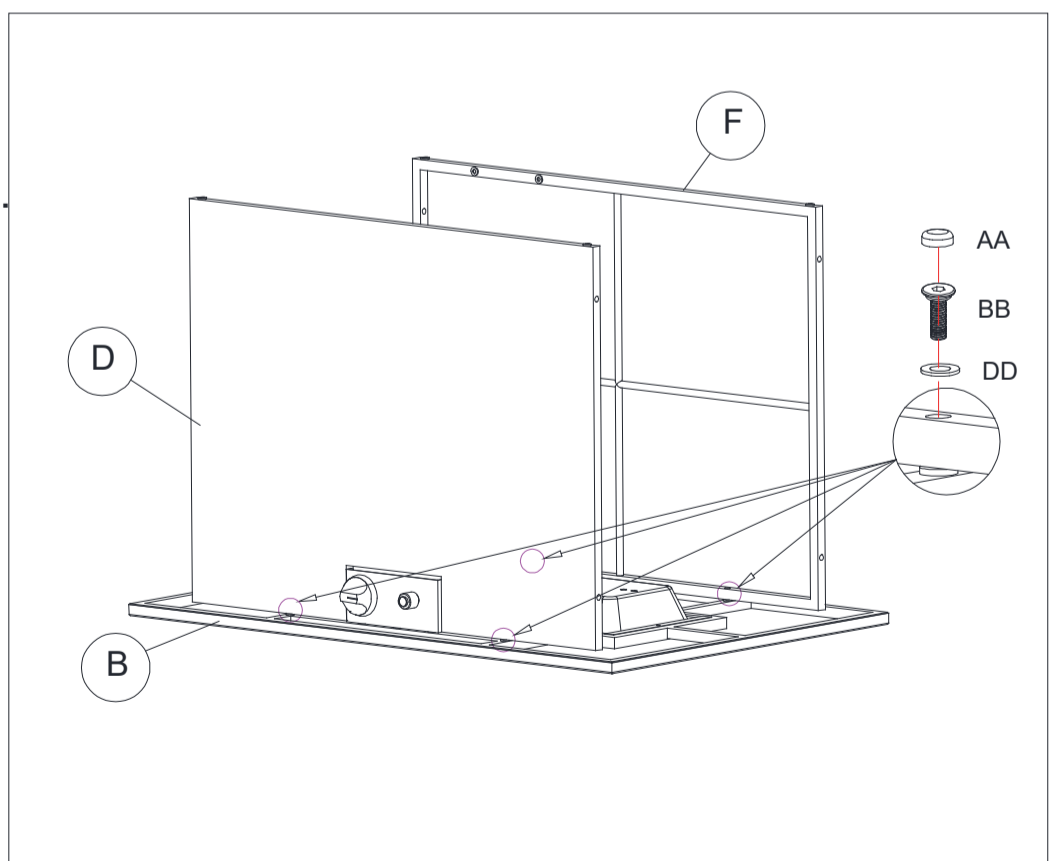
# FIRE PIT ASSEMBLY INSTRUCTIONS

**WARNING:** Failure to position the parts in accordance with these diagrams or failure to use only parts specifically approved with this appliance may result in property damage or personal injury.

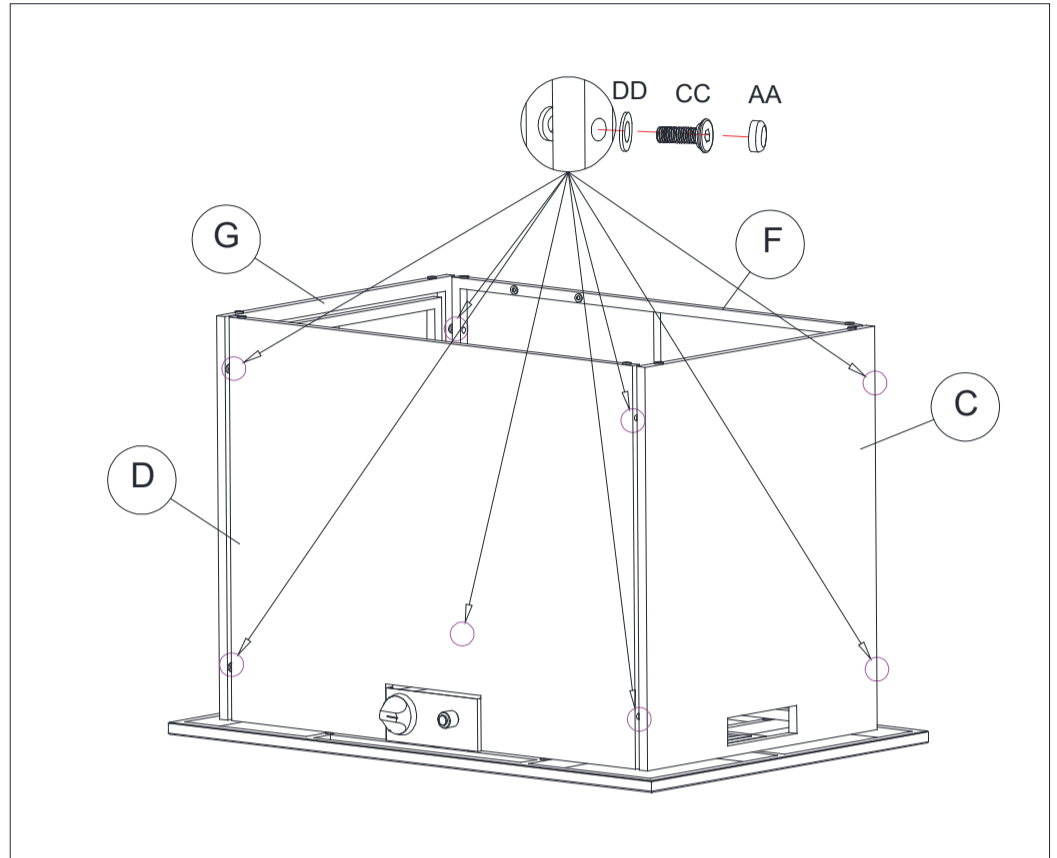
1. Check that the control knob ( 6 ) for the gas supply system is turned to the "OFF" position before starting any assembly.



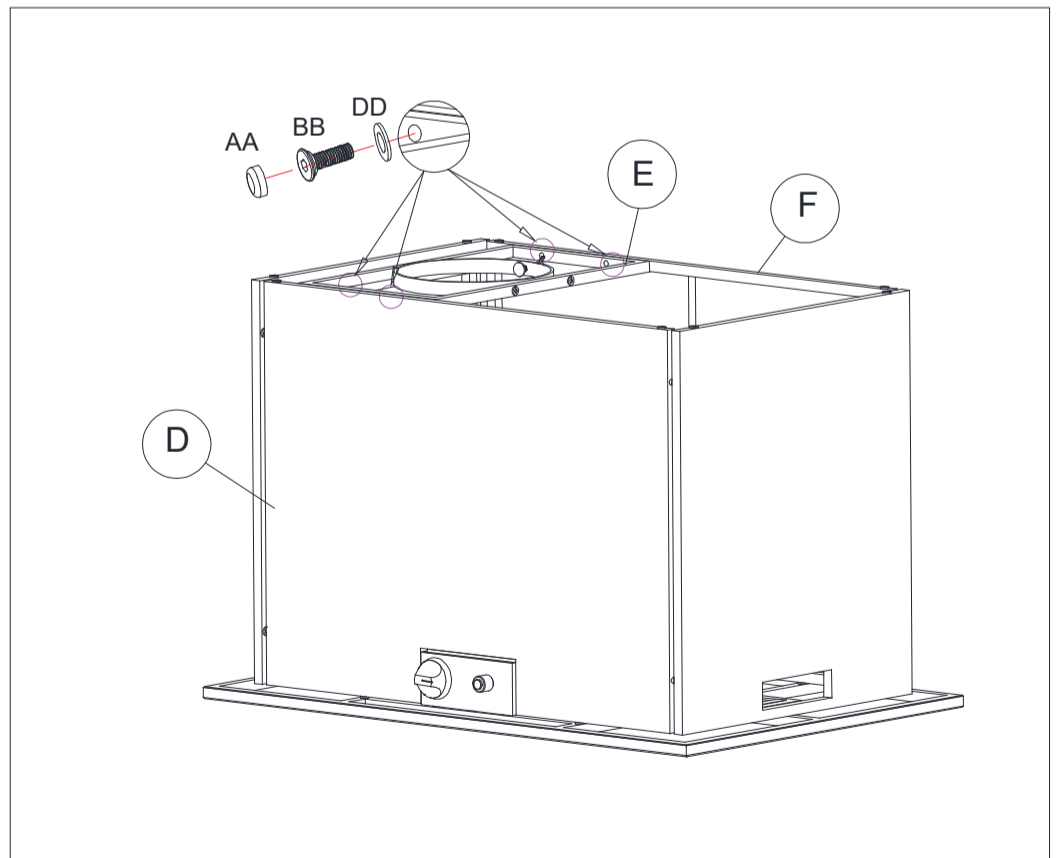
2. Attach the front panel ( D ) and the back panel ( F ) to the table top ( B ) using four M6 x 25 screws ( BB ), four washers ( DD ), and four screw caps ( AA).



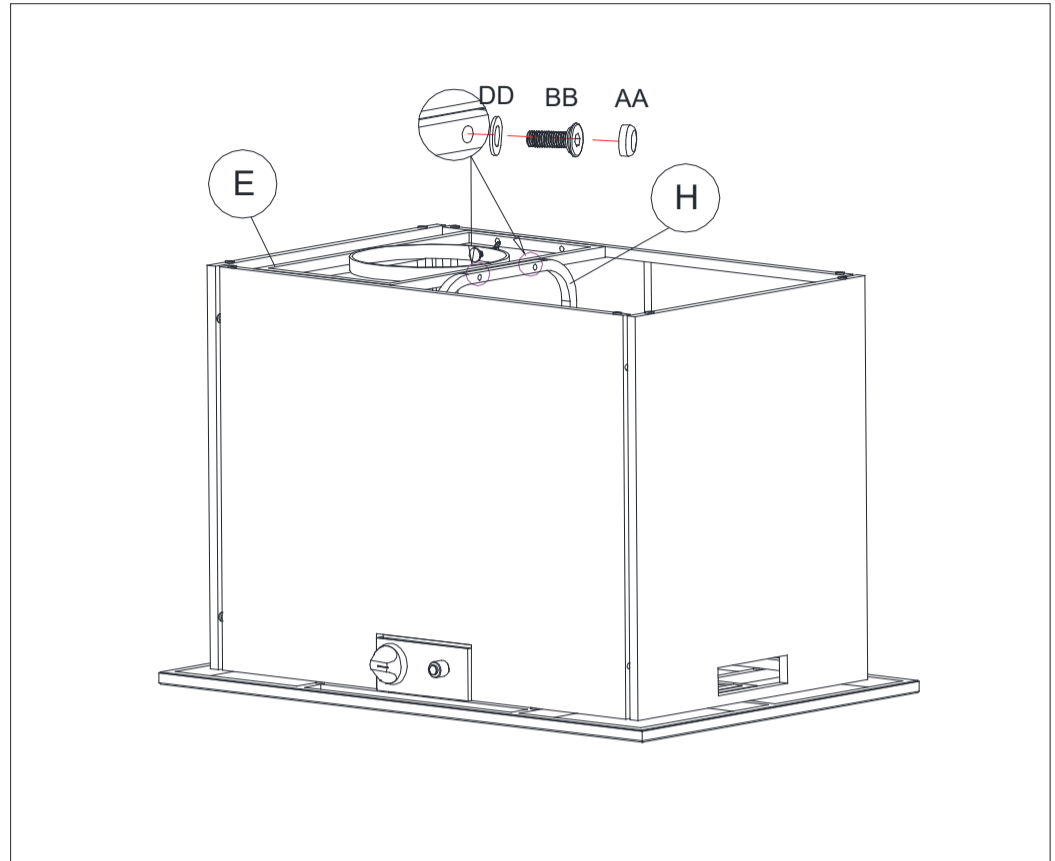
3. Attach the door ( G ) and side panel ( C ) to the front panel ( D ) and the back panel ( F ) using eight M6 x 30 screws ( CC ), eight washers ( DD ), eight screw caps ( AA ).



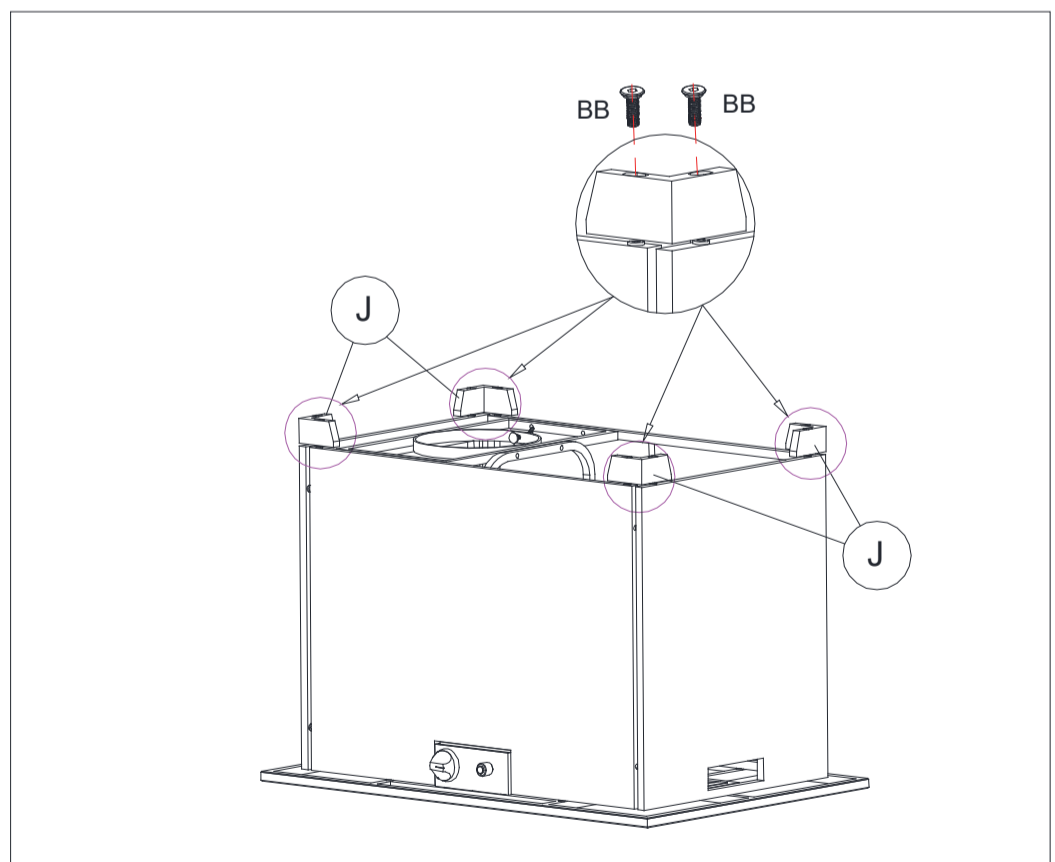
4. Attach the metal stand ( E ) to the back panel ( F ) and front panel ( D ) using four M6 x 25 screws ( BB ), four washers ( DD ), four screw caps ( AA ).



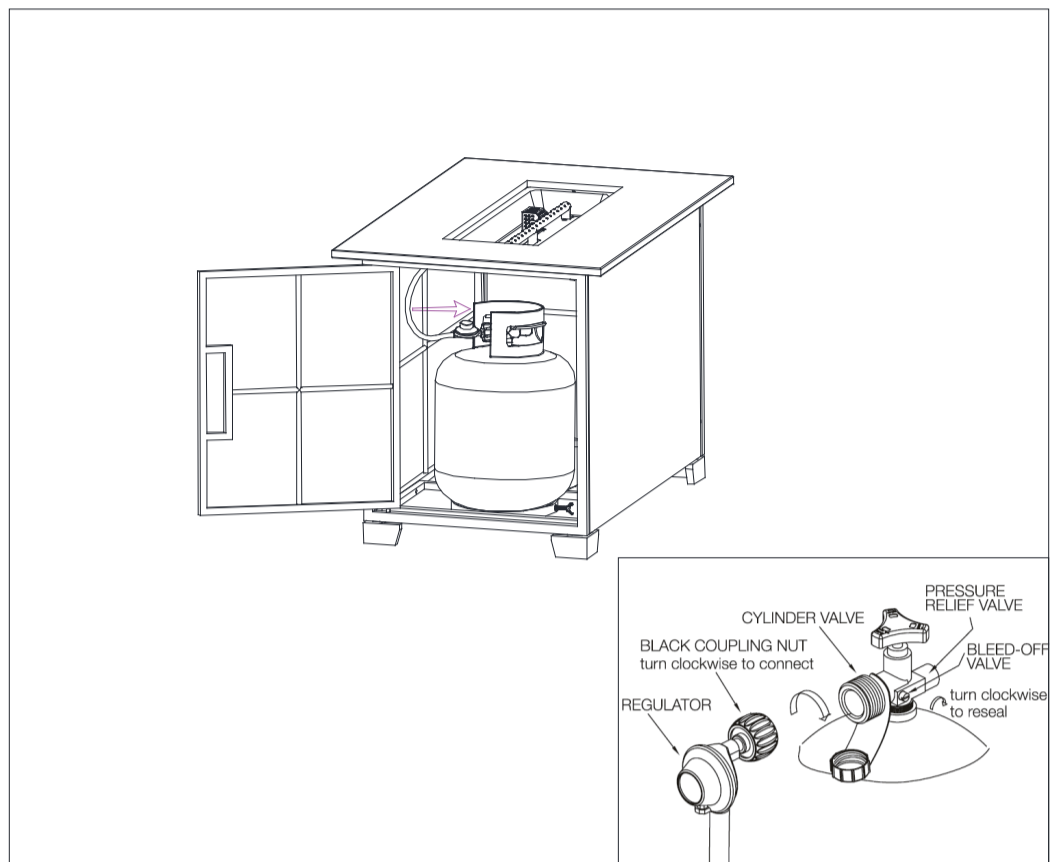
5. Attach the metal stand ( H ) to the metal stand( E ) using two M6 x 25 screws ( BB ), two washers ( DD ) , two screw caps ( AA ).



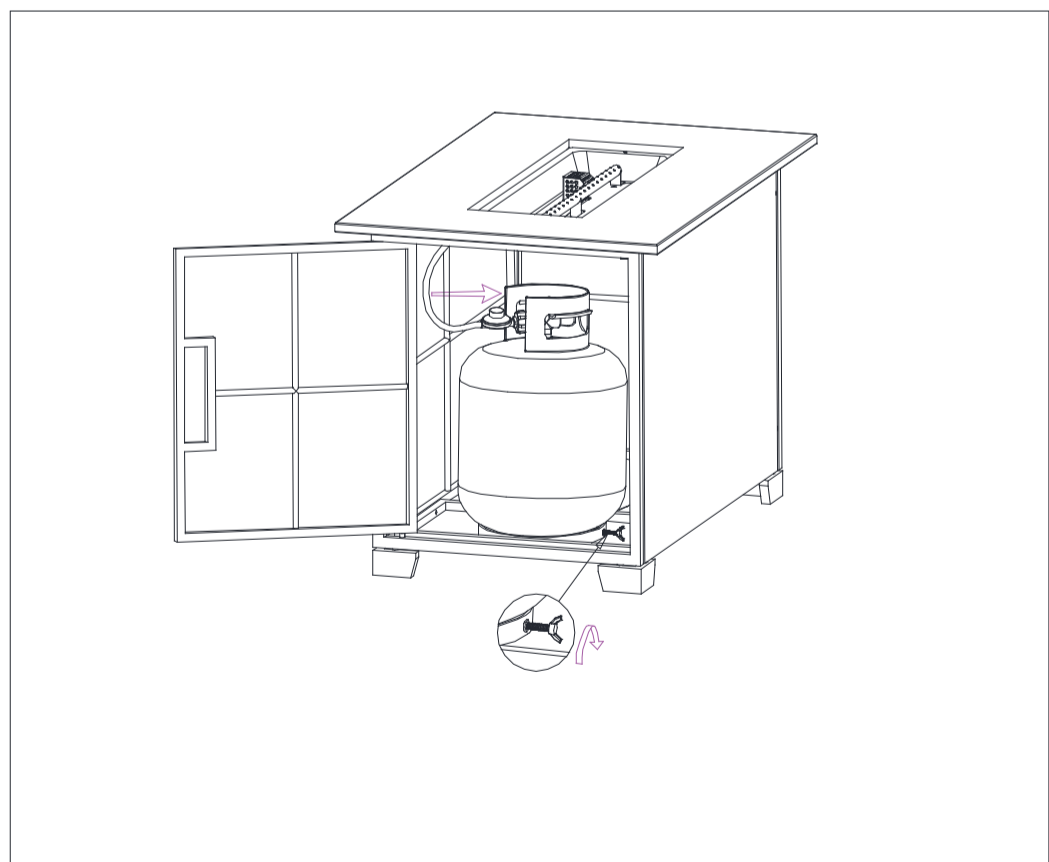
6. Attach the foot pad ( J ) on the assembled shelves using eight M6 x 25 screws ( BB ).



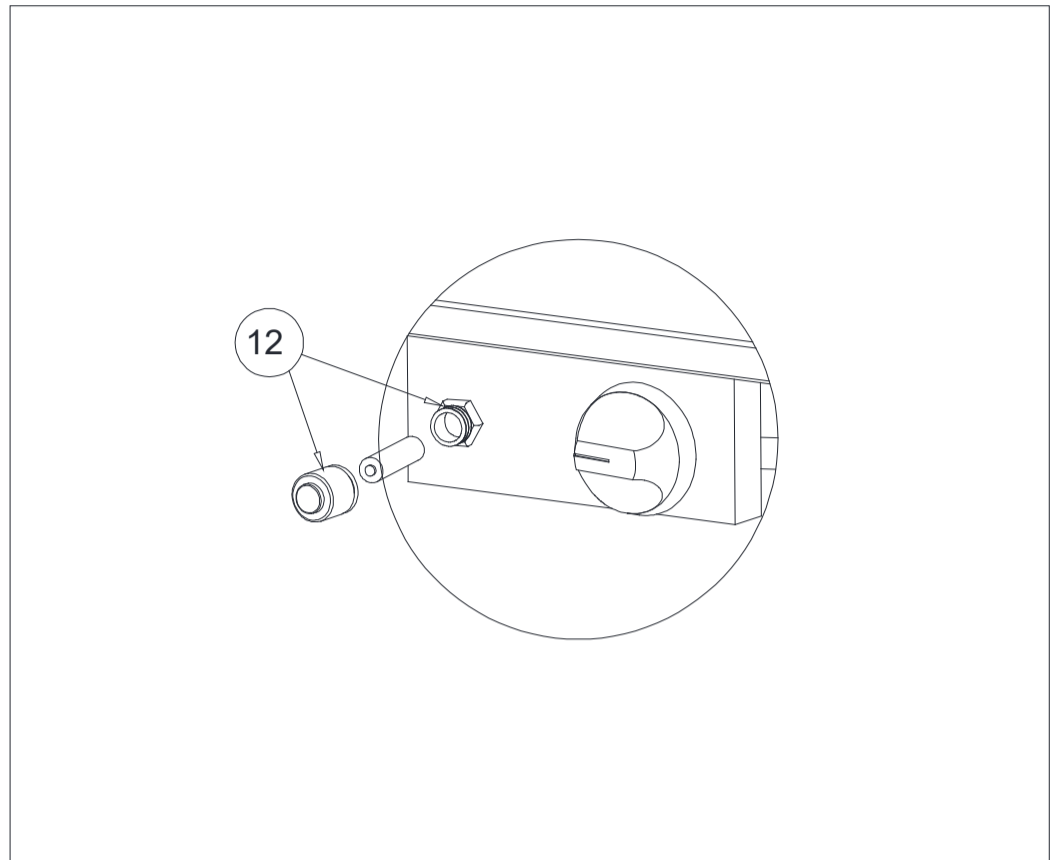
7. Turn the cylinder valve on the tank clockwise to close the propane tank. Attach the pre-assembled regulator from the table top ( B ) to the cylinder valve by turning the regulator coupling nut clockwise. Make sure it is fastened securely and tighten connections by hand only.



8. Place propane gas tank ( not included ) into the metal stand (E). Make sure the gas tank sits on the metal stand ( E ) completely. Turn the preassembled wing screw on the outer part of metal stand ( E ) clockwise to secure the propane gas tank tightly.



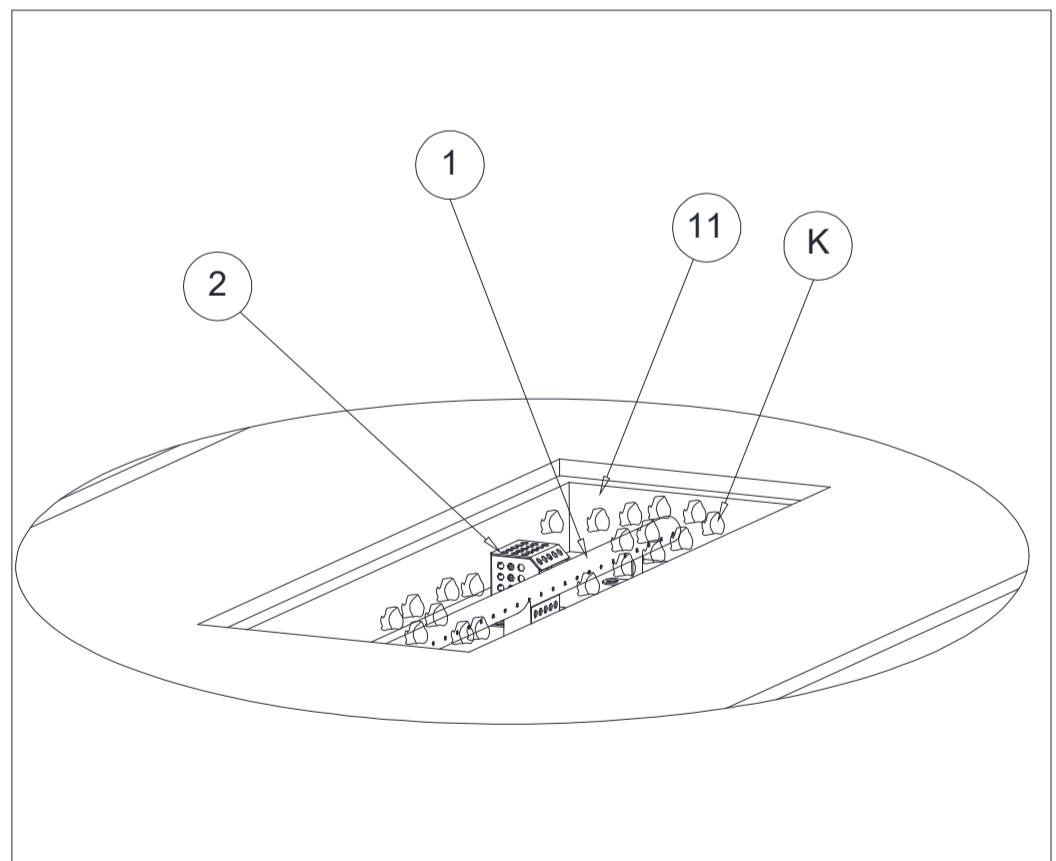
9. Remove the rubber cap on the electronic igniter ( 12 ) by unscrewing and slide battery into the battery slot. Make sure the positive side of the battery faces outwards. Screw the electronic igniter cap ( 12 ) over the battery tightly. The ignition module requires one Alkaline AA size battery (1.5V).



10. Pour the box of pumice ( K ) into the fire pit ( 11 ).

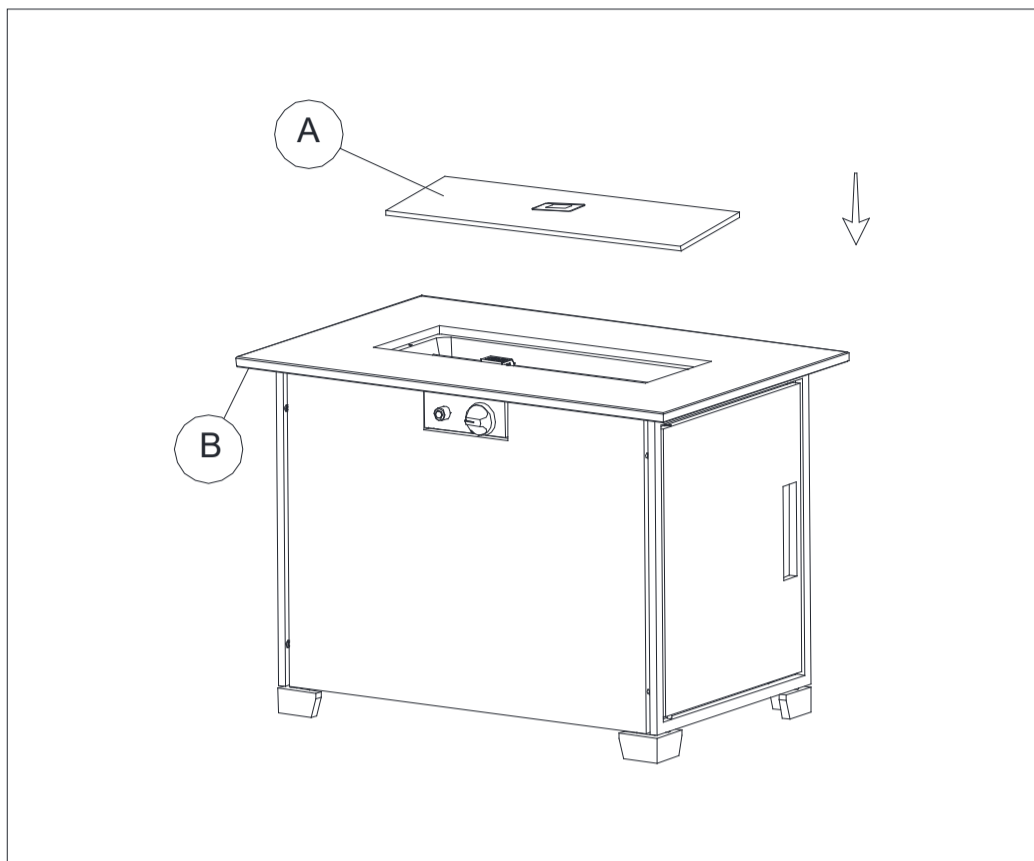
 CAUTION

To ensure proper function, the guard ( 2 ) on this burner ( 1 ) should be free of pumice at all time .



11. Put burner lid ( A ) onto the fire bowl.

NOTE: When the fire pit is NOT in use or after use, when the fire pit has cooled COMPLETELY, cover it with the Burner Cover. DO NOT PUT THE BURNER COVER ON A HOT FIRE PIT.

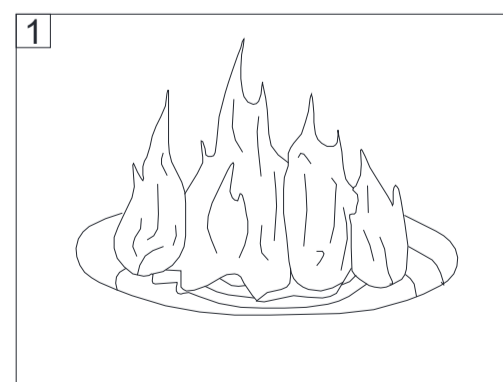


## OPERATION

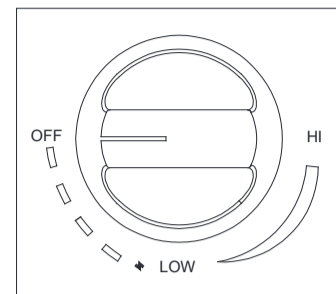
Before performing a leak test, be sure that no sparks can occur and you are in a spacious outdoor area. Connect the propane gas tank to the regulator and turn the valve on the unit to the "off" position. Brush a soap and water mixture on all connections. Turn the gas supply on; if bubbles occur on any connection there may be a leak. **If you smell gas or a leak is discovered turn the gas valve off, Turn the regulator on the tank counter clockwise . disconnect propane gas tank and do not use the appliance until the leak is repaired.**

Do not use the heating unit without inspecting the gas hose. Inspect the hose assembly for evidence of excessive abrasion, cuts, or wear. Suspected areas should be leak tested. If the hose leaks, it must be replaced prior to operation. Only use the replacement hose assembly specified by manufacturer. The burner must be replaced prior to the appliance being put into operations if it is evident that the burner is damaged. The replacement burner should be specified by manufacturer. Pumice stones/lava rocks/LavaGlass™ could pop up and strike somebody's face during the process of lighting this unit; stand away from the unit for the first 20 minutes after igniting. Flame height should be a yellow/blue color between 2-10 inches in height in Figure 1.

Wait 5 minutes after extinguishing flame prior to placing a lid (if applicable) or protective cover on heating item.



**WARNING : IF YOU DO NOT FOLLOW THESE INSTRUCTIONS EXACTLY, A FIRE OR EXPLOSION MAY RESULT, CAUSING PROPERTY DAMAGE, PERSONAL INJURY, OR LOSS OF LIFE.**



### **To Light**

1. Make sure the control knob ( 6 ) is in the "OFF " position.
2. Open the door ( G ) and slowly open the valve on the propane gas tank by turning the knob counterclockwise.
3. Close the door ( G ) on the body.
4. Push and hold in the electronic igniter ( 12 ) to create sparks within the electrode, continue to hold.
5. Push in the control knob ( 6 ) and turn to the "LOW" position. Keep holding down the control knob ( 6 ) to allow gas to flow for 45 seconds.
6. If ignition doesn't occur within a few seconds release the control knob ( 6 ) and rotate to the "OFF" position. Wait for 5 minutes for gas to clear and then repeat the above lighting instructions.
7. Once the fire product is lit, the flame intensity may be controlled by turning the control knob ( 6 ) between the "LOW" and "HIGH" positions.

### **To Extinguish**

1. Turn control knob ( 6 ) clockwise to the "LOW" position; let the knob pop up and continue turning the control knob ( 6 ) to the "OFF" position.
2. Close the cylinder valve on the propane gas tank if you don't intend to use it for a long time.

## **MAINTENANCE**

- Before performing any maintenance always disconnect propane gas tank.
- Keep the heating item free and clear from combustible materials.
- Visually inspect burner for obstructions and keep tank enclosure free and clear from debris.
- Use a soft brush to get rid of the mild stains, loose dirt and soil after the burner and pumice stones/lava rocks/LavaGlass™ are completely cooled down. Wipe down with a soft cloth.
- Harsh weather conditions may cause stubborn stains, discoloration and possibly rust pitting.
- Permanent damage may occur if powder or solvent comes in contact with painted or plastic components on this heating unit.
- Keep the heating unit stored away from direct sunlight.
- If storing this unit inside, disconnect the propane gas tank from the gas valve.
- Not using manufacturer approved or supplied parts/accessories may result in a defective condition and void the warranty of this heating unit.
- Always place lid (if applicable) or protective cover on heating item when not in use.

# TROUBLESHOOTING

<b>Problem</b>	<b>Cause</b>	<b>Solution</b>
	Igniter pin and burner are wet	Dry off with a soft cloth
Heating unit won't light	Igniter battery is incorrectly inserted	Check which direction the battery is inserted
	Igniter pin is broken	Manufacturing for a replacement part
	Electrode wire is loose or disconnected	Reconnect wire to the igniter box located inside the table behind the igniter box
	Electrode wire is shorting between valve and igniter pin	Manufacturing for a replacement part
Burner won't light while using a match	No gas flow	Check that the gas tank isn't empty
	Regulator isn't connected securely to the tank	Tighten regulator connection to the gas tank
	Gas flow is obstructed	Check all hoses for kinks and bends
	Burner ports are clogged	Turn all gas flow connections off. Insert an opened paperclip (or similar item) into each of the burner ports to clear them out.
Heating unit emits a lot of black smoke	Flame is obstructed at burner ports	Check that all burner ports are free of any small lava rocks/pumice stones/ Lava Glass pieces
	Regulator hose is kinked	Straighten hose of all bends or kinks
Sudden drop in gas flow	No gas flow	Check that the gas tank isn't empty
	Excess flow safety valve has been activated	Turn the control knob to the "off" position. Close the tank valve and disconnect propane gas tank. Turn the control knob to "high"; wait 1 minute. Turn the control knob back to the "off" position. Reconnect propane gas tank. Light the fire unit as indicated in the "To Light" section of this manual.
Flame blows out easily	High or gusting winds	Increase flame to "high"
	No gas flow	Check that the gas tank isn't empty
	Excess flow safety valve has been activated	See "sudden drop in gas flow" above