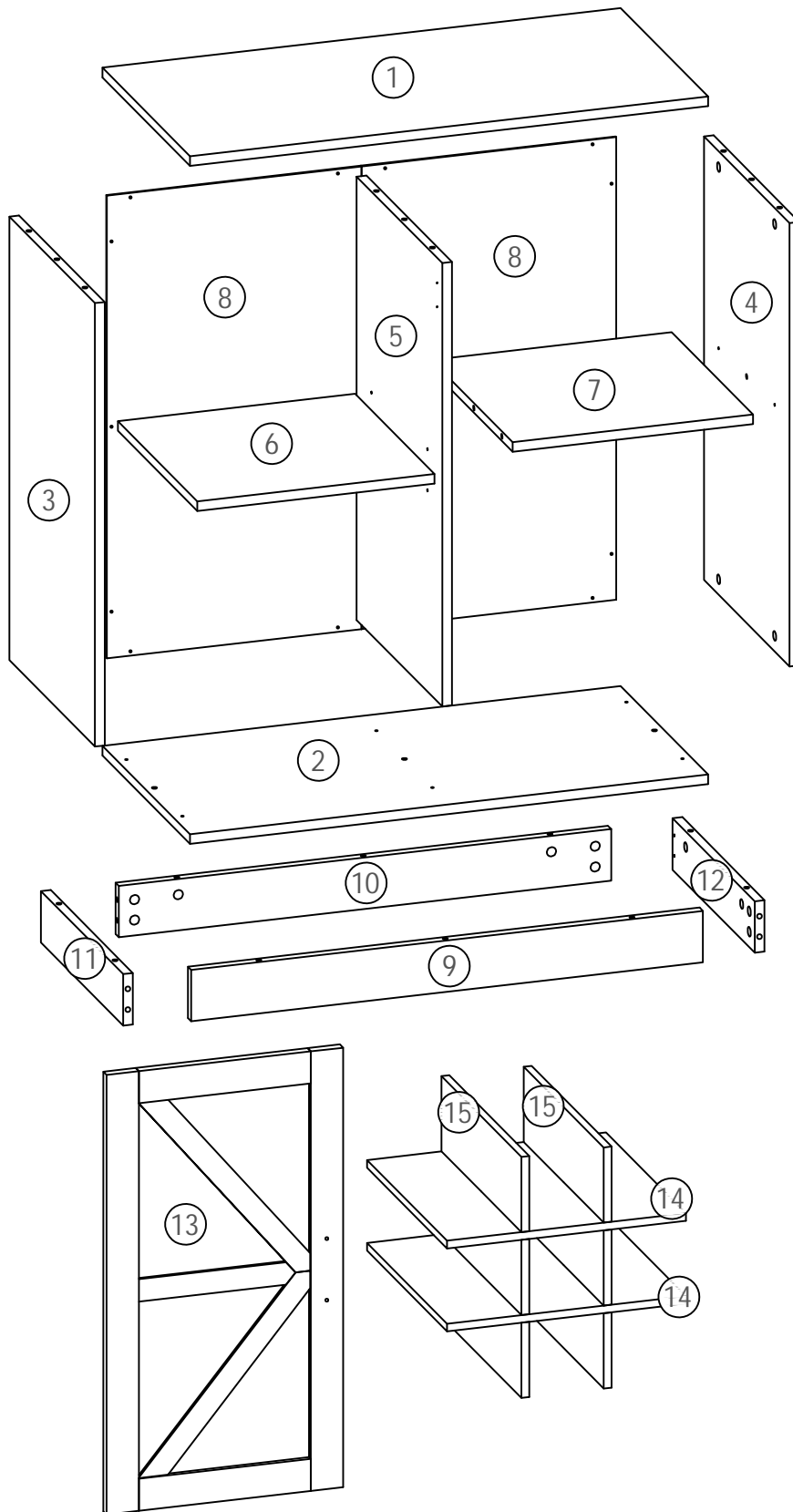


Barn Door Wine Cabinet

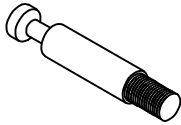
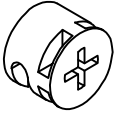
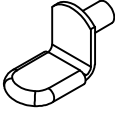
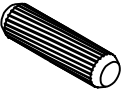
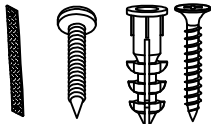

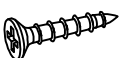
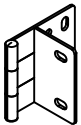
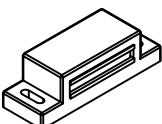




Assembly Instructions

NOTE: This instruction manual contains **IMPORTANT** safety information.
Please read carefully before assembling the product

List of Parts

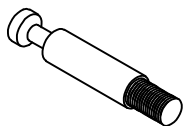


List of Hareware

No.	Hare ware	Quanti ty
A		32
B		32
C		4
D		10
E		2
F		1
G		14
H		2
I		1
J		2
K		17
L		2
M		1

STEP1

A

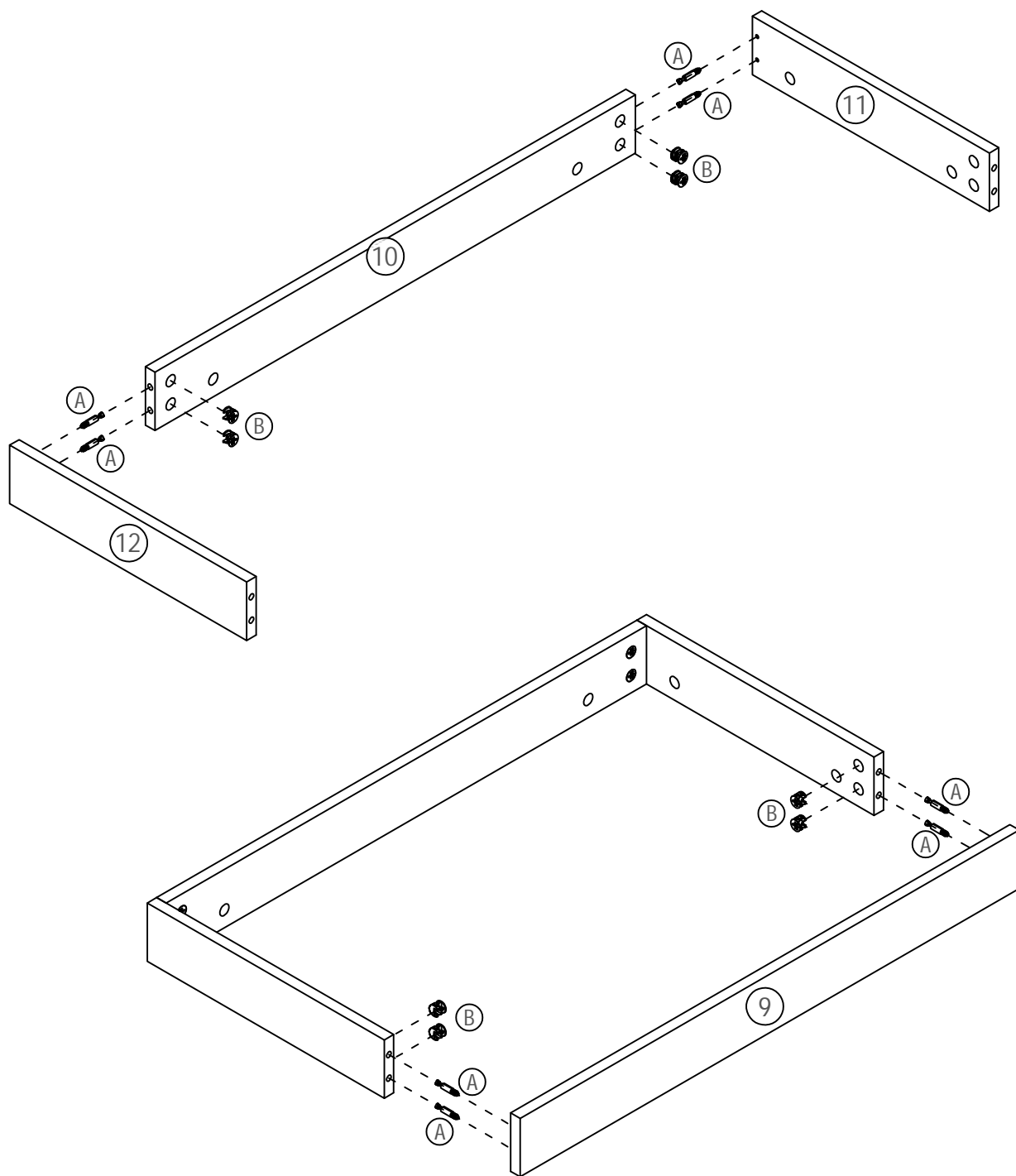


8 PCS

B

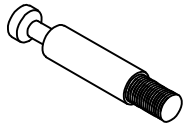


8 PCS



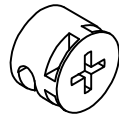
STEP2

A



8 PCS

B

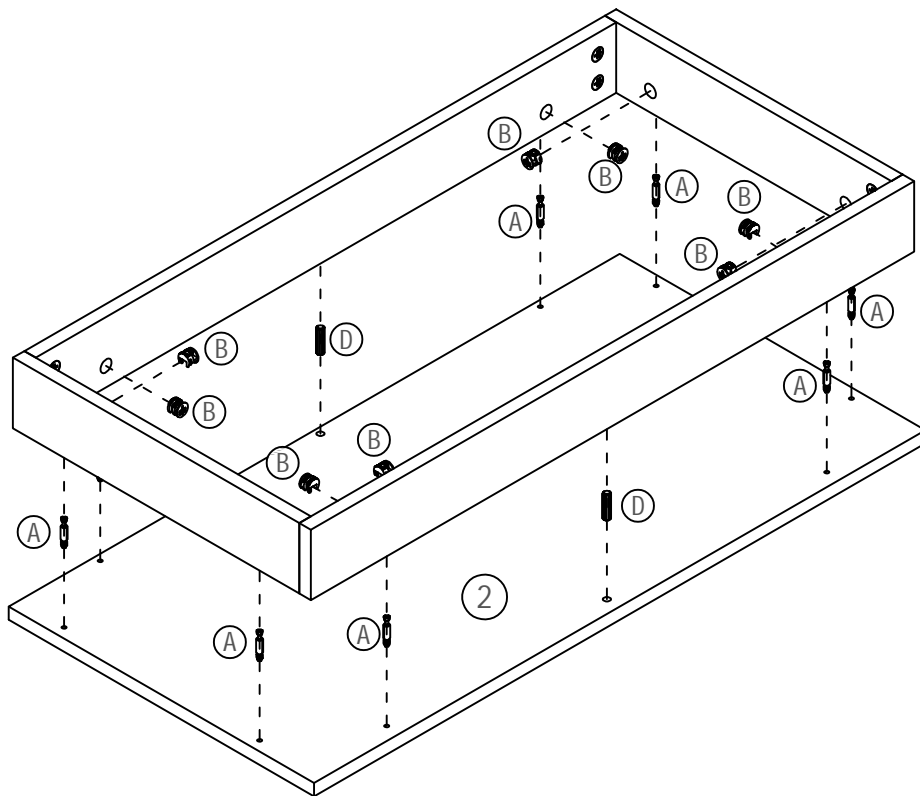


8 PCS

D

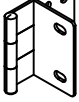


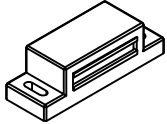
2 PCS




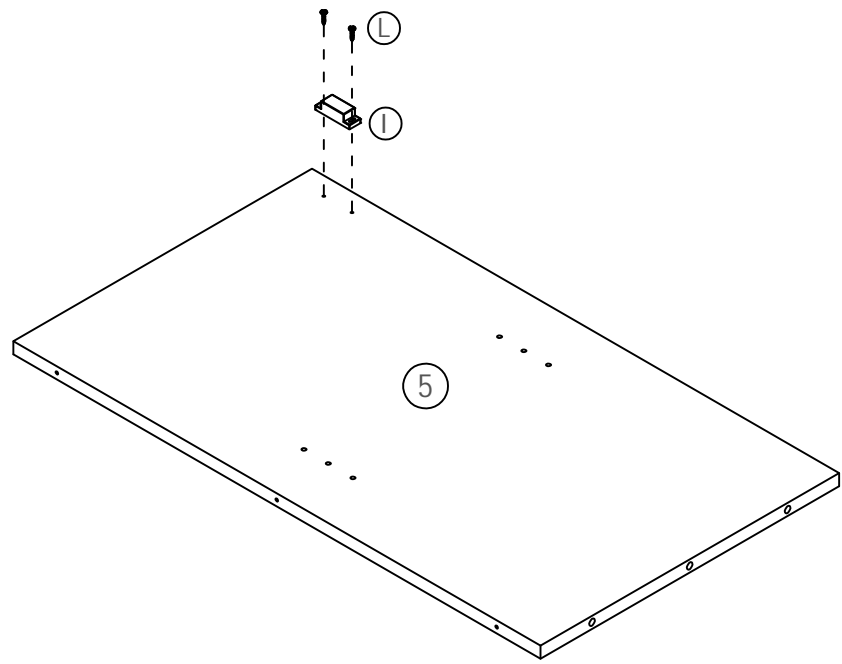
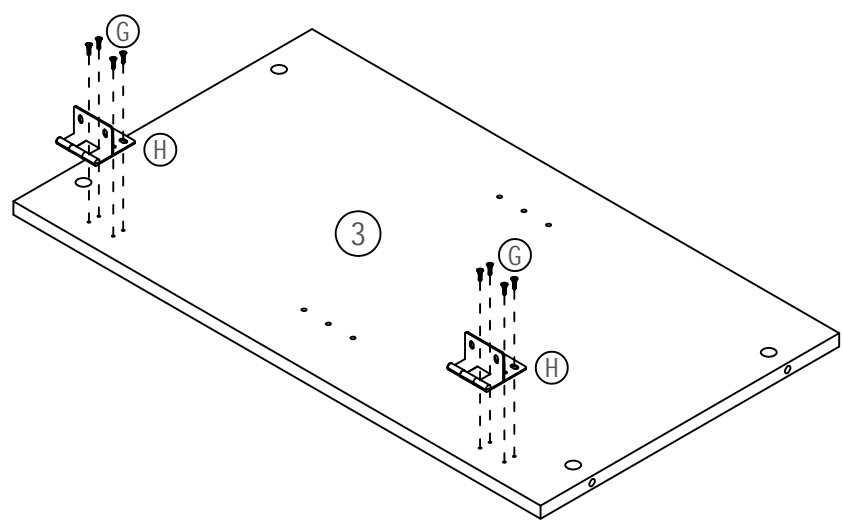
STEP3

(G)  8 PCS

(H)  2 PCS

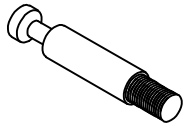
(I)  1 PCS

(L)  2 PCS



STEP4

A



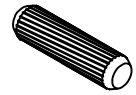
4 PCS

B

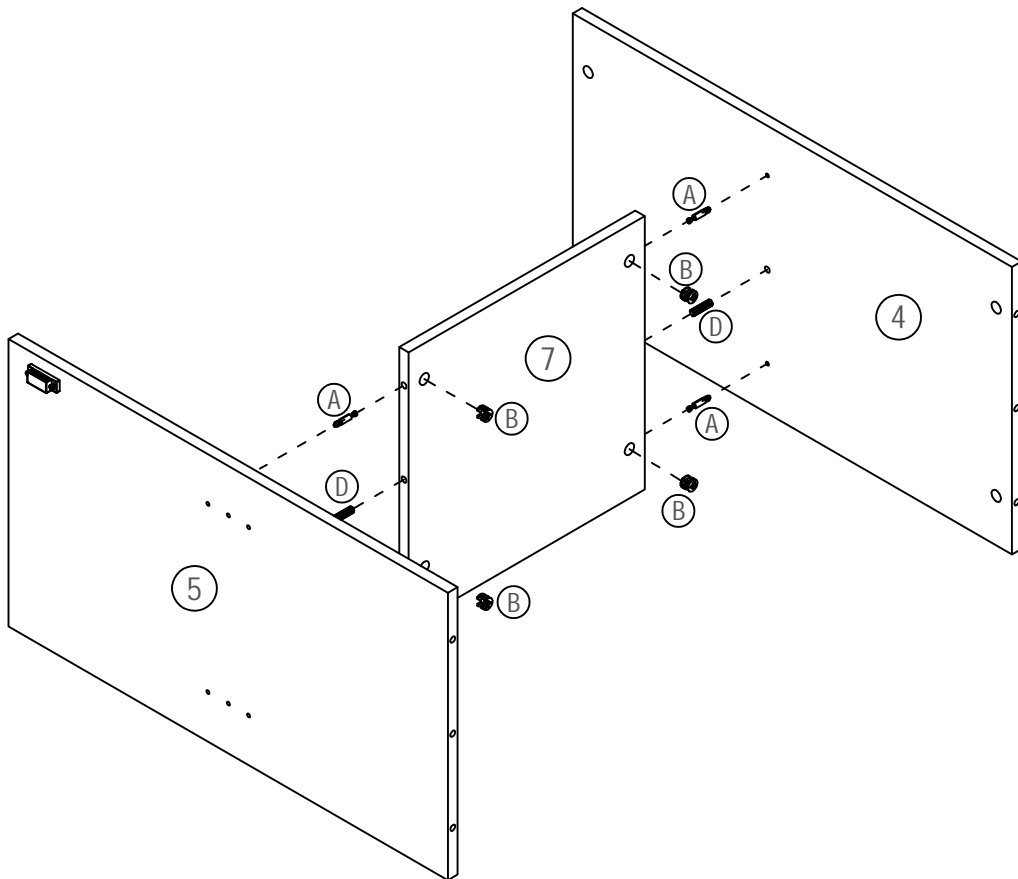


4 PCS

D

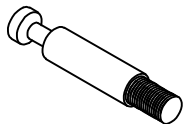


2 PCS



STEP5

A



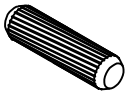
6 PCS

B

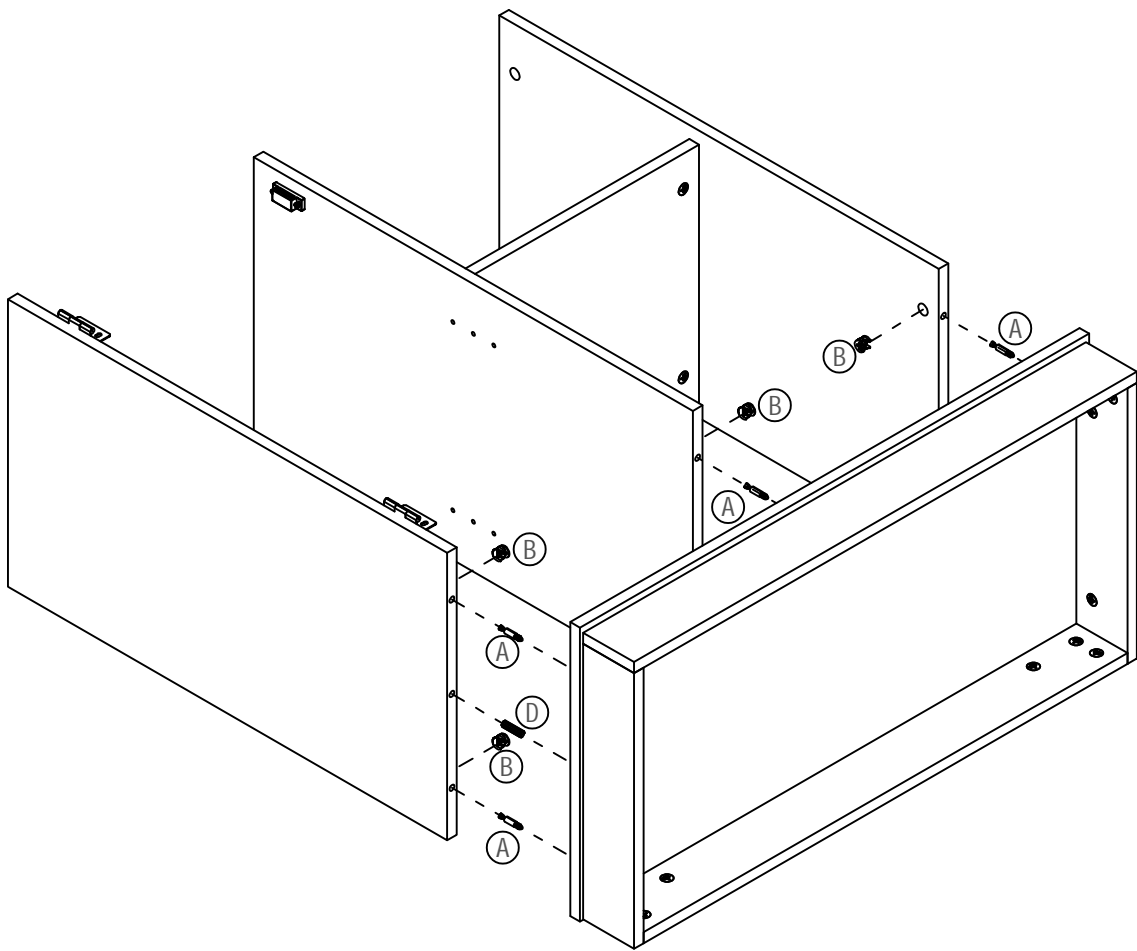


6 PCS

D

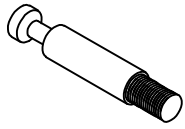


3 PCS



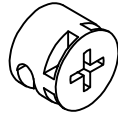
STEP6

A



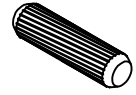
6 PCS

B

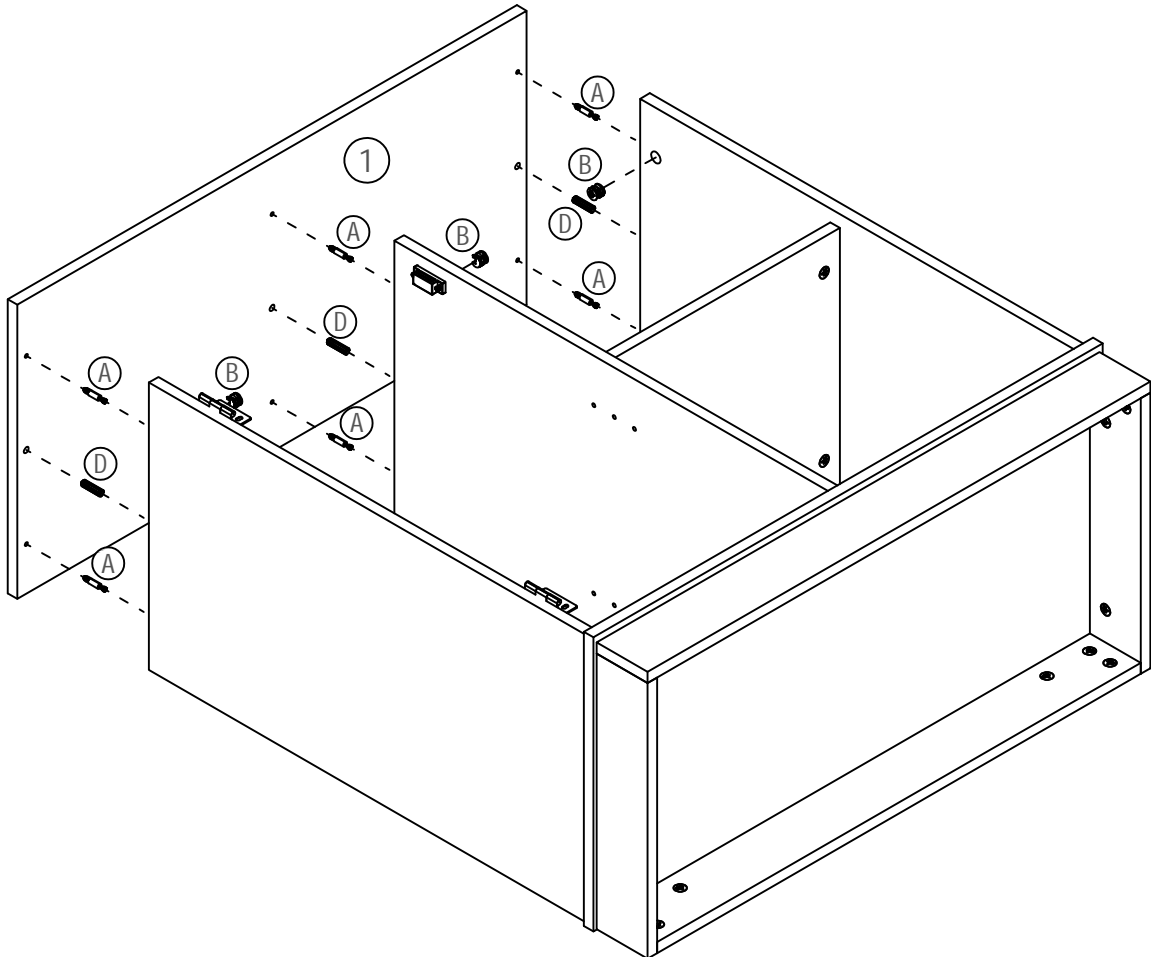


6 PCS

D

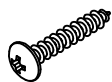


3 PCS

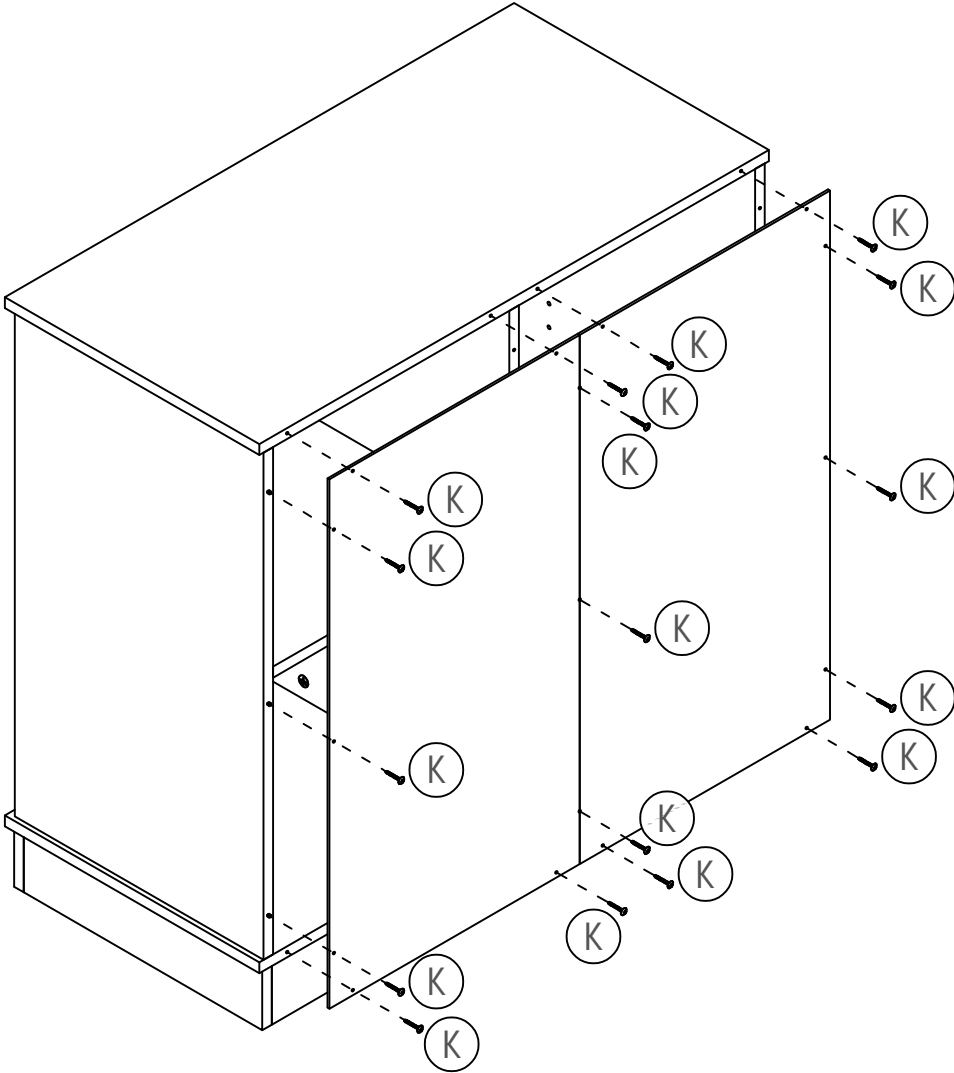


STEP 7

K

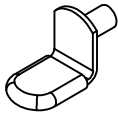


17 PCS

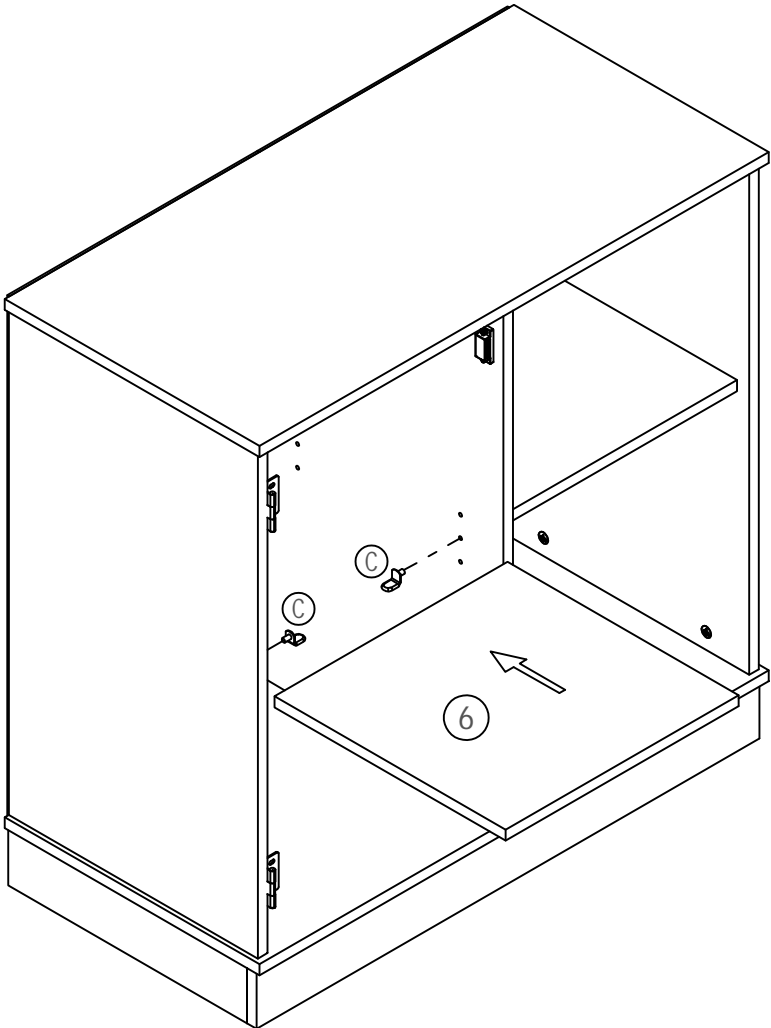


STEP8

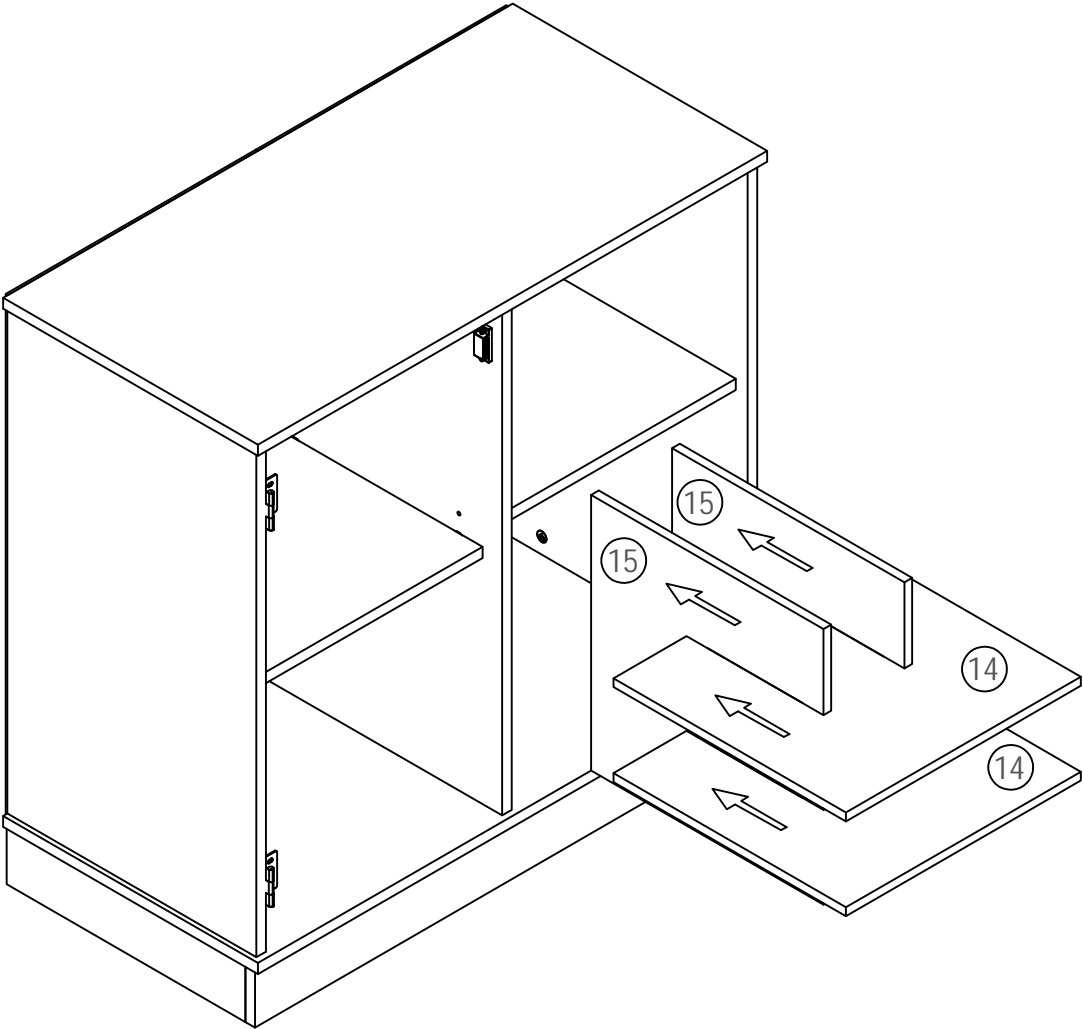
C



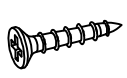
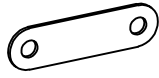


4 PCS

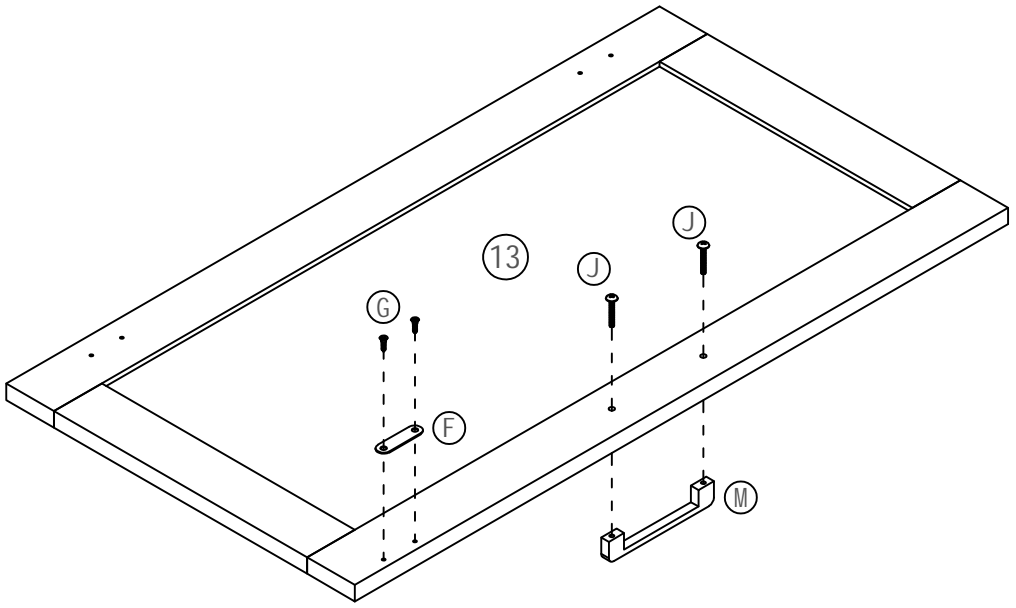


STEP 9



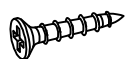
STEP10

<p>ⓐ 2 PCS</p> 	<p>ⓕ 1 PCS</p> 	<p>ⓙ 2 PCS</p> 
<p>ⓓ 1 PCS</p> 		

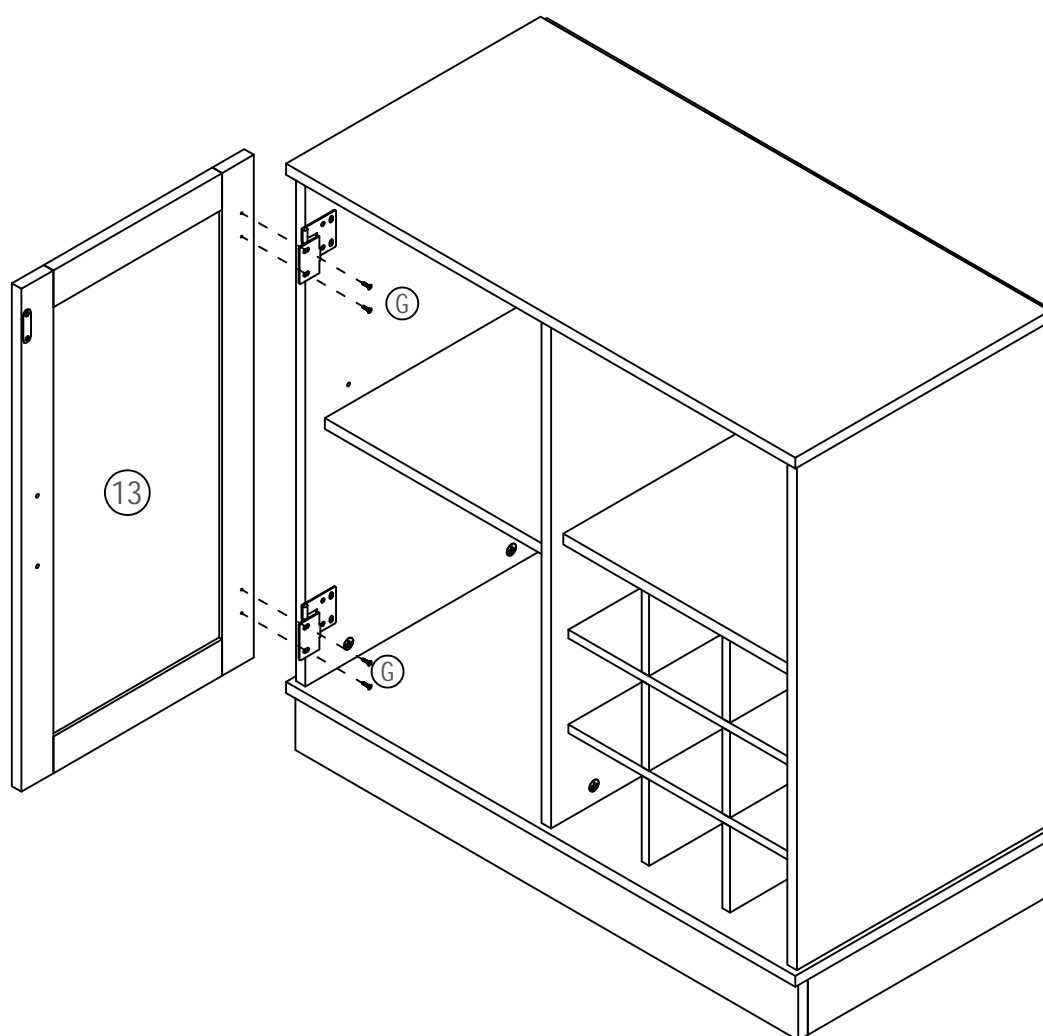


STEP11

G



4 PCS



STEP 12

