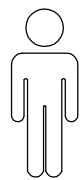
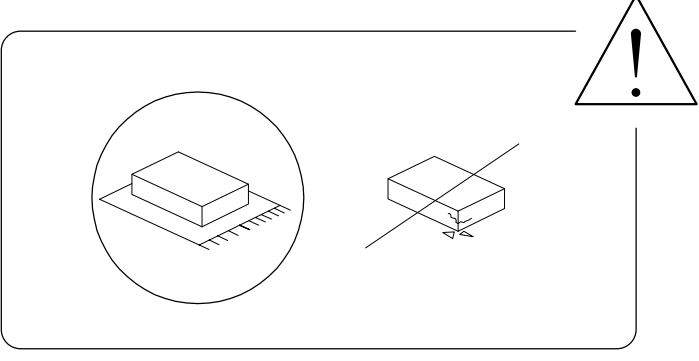
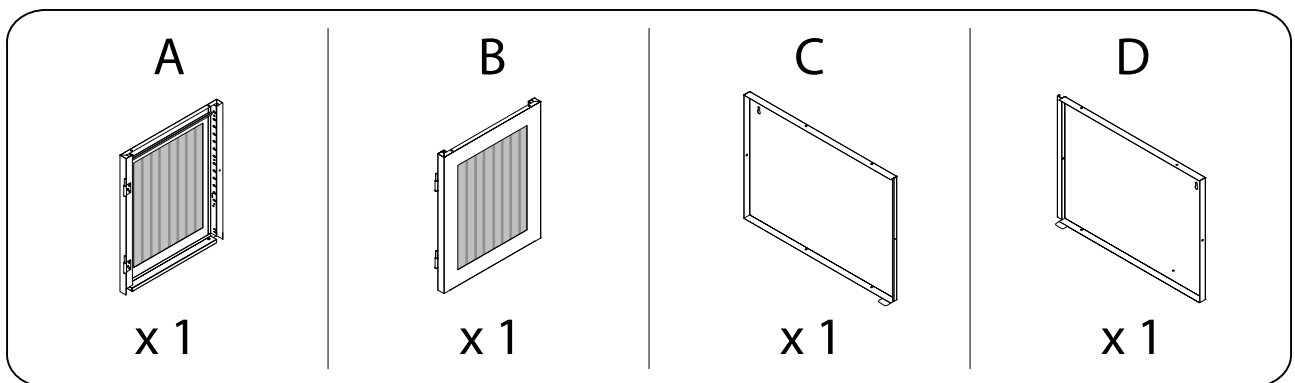
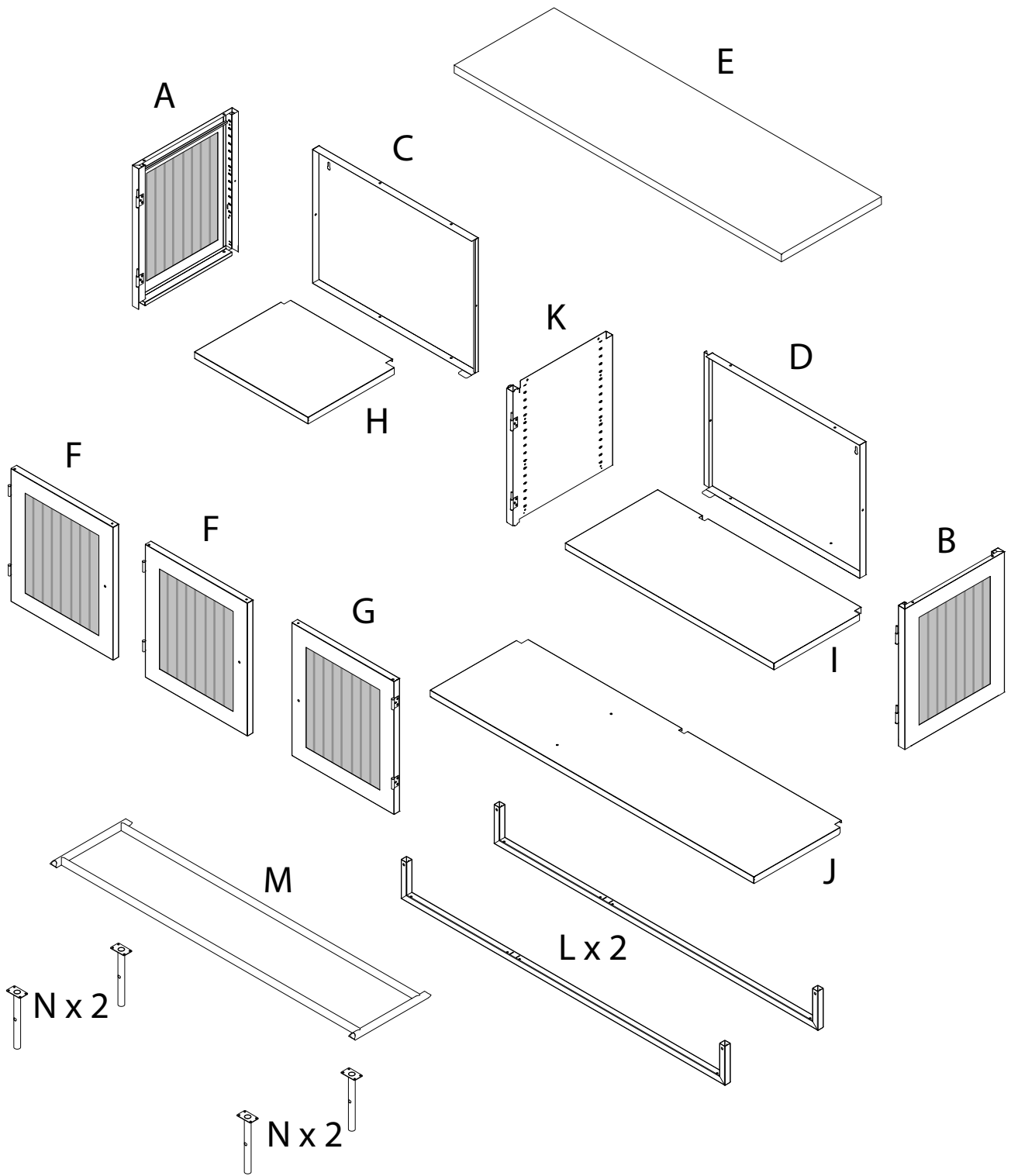


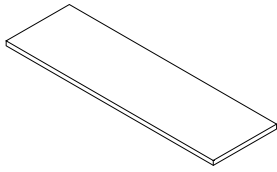
90'



1

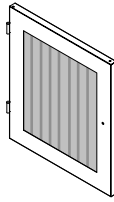


E



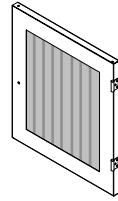
x 1

F



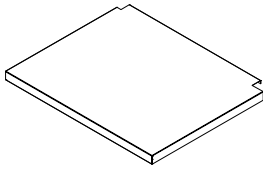
x 2

G



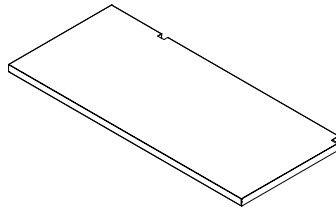
x 1

H



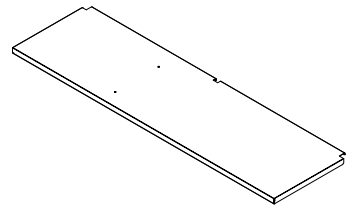
x 1

I



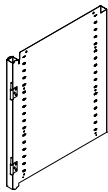
x 1

J



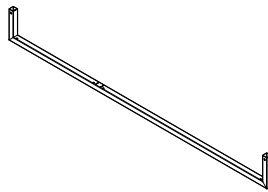
x 1

K



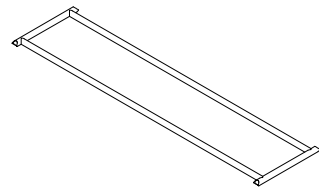
x 1

L



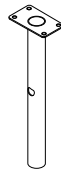
x 2

M



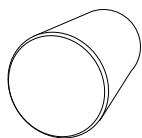
x 1

N



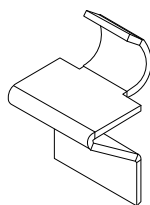
x 4

1



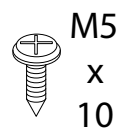
x 3

2



x 8

3



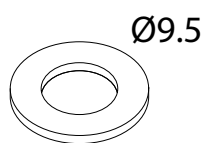
x 35

4



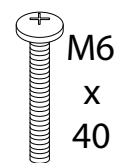
x 3

5



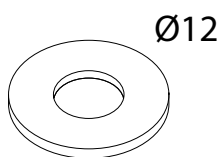
x 3

6



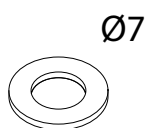
x 4

7



x 4

8



x 6

9



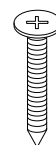
x 1

10a



x 2

10b



x 2

1

A



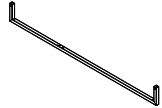
x1

B

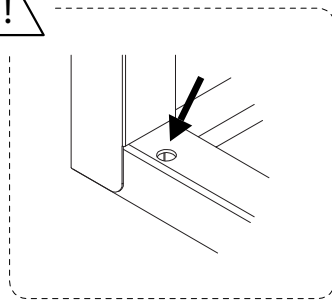
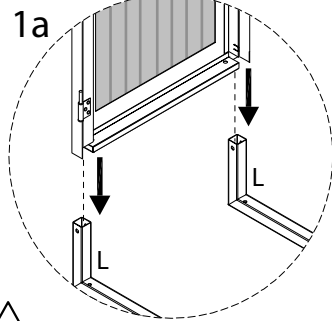
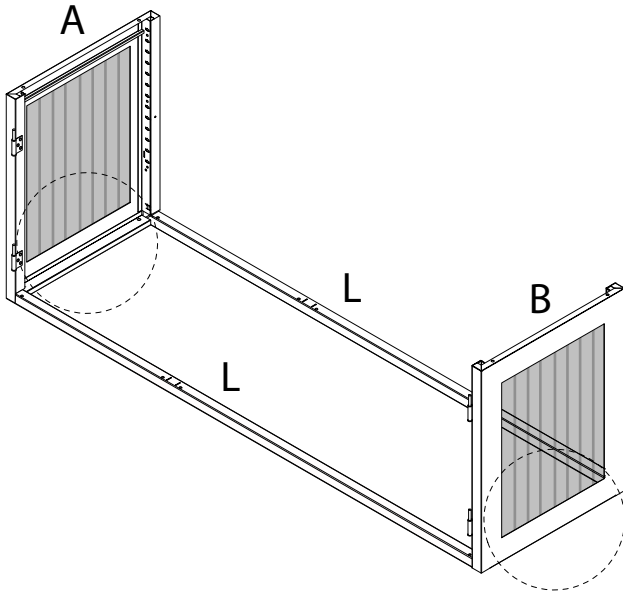


x1

L

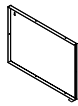


x2



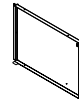
2

C

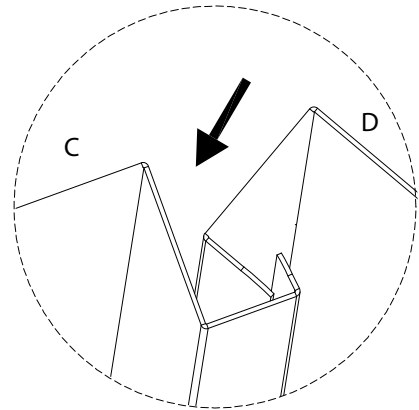
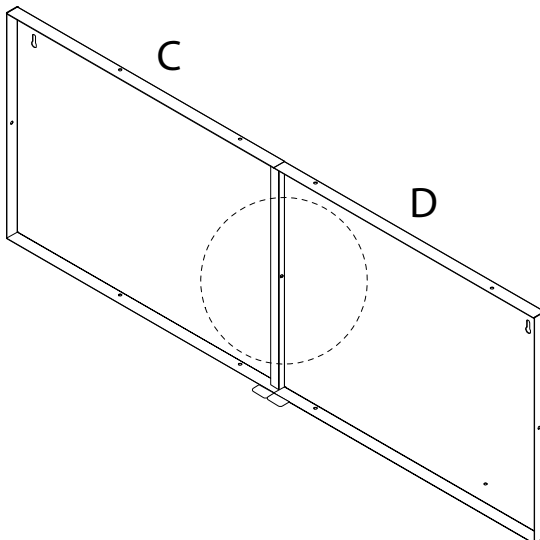


x1

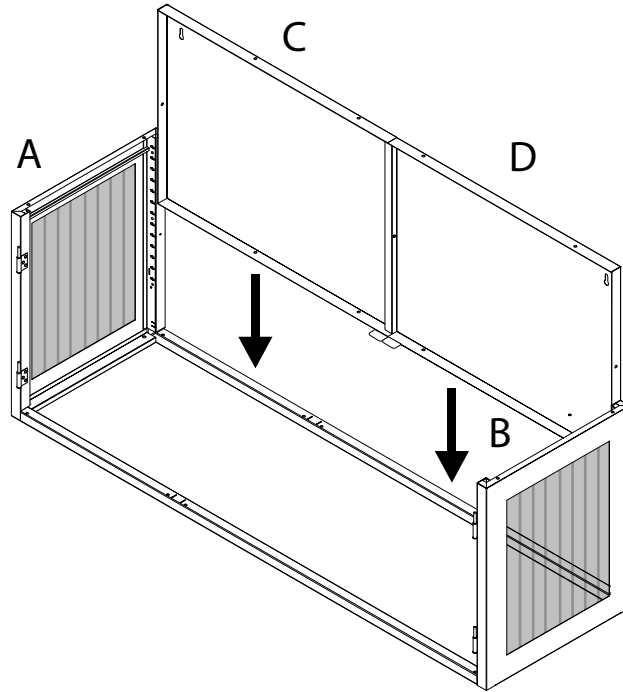
D



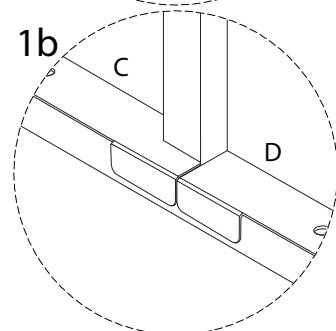
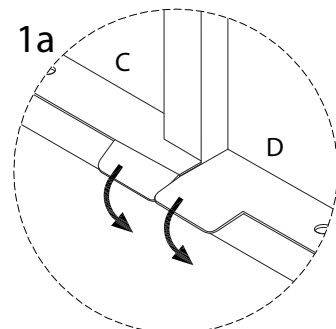
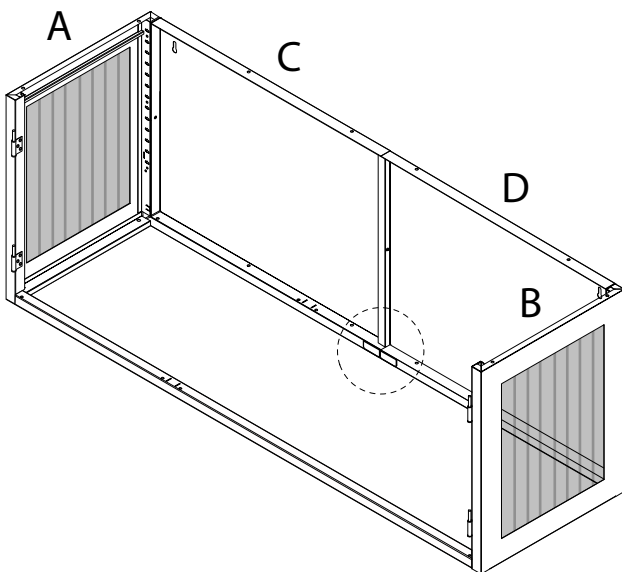
x1



3

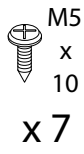


4



5

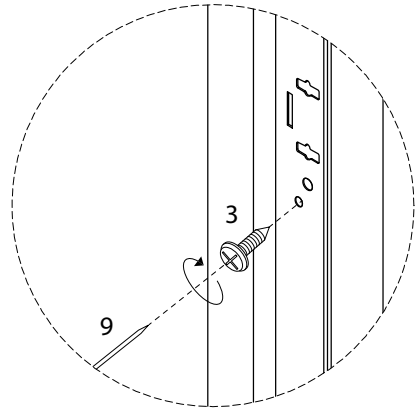
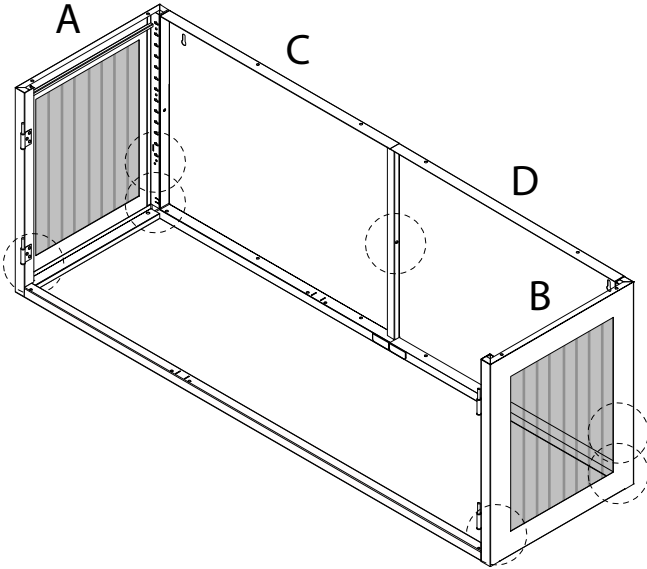
3



9

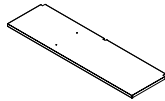


x 1



6

J

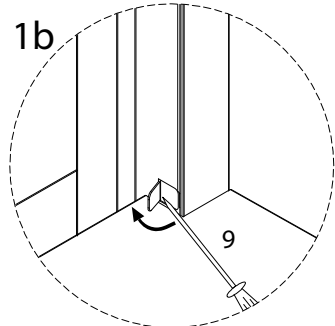
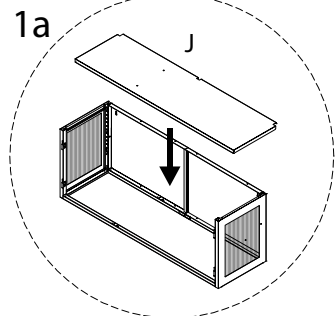
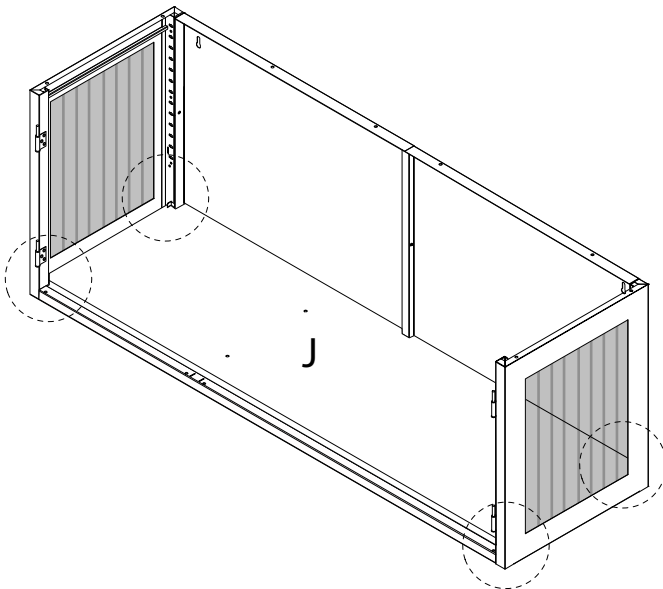


x 1

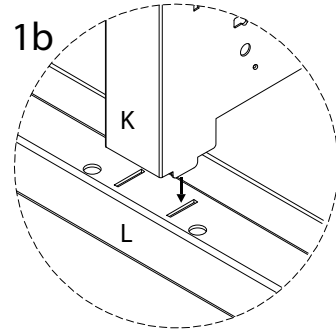
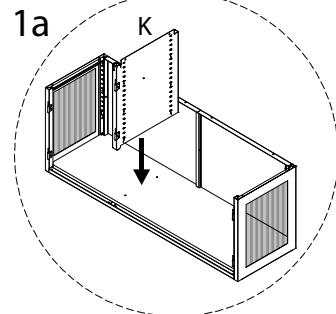
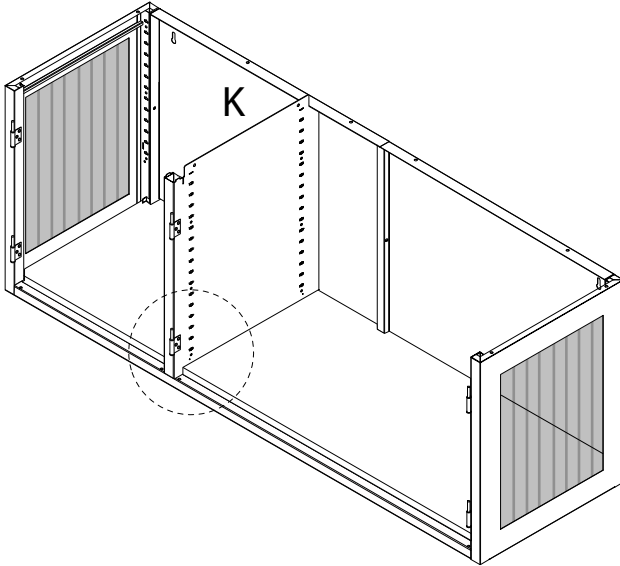
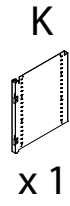
9



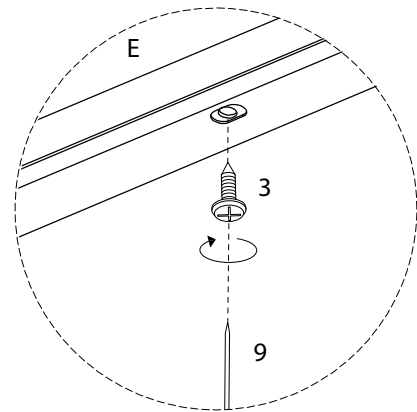
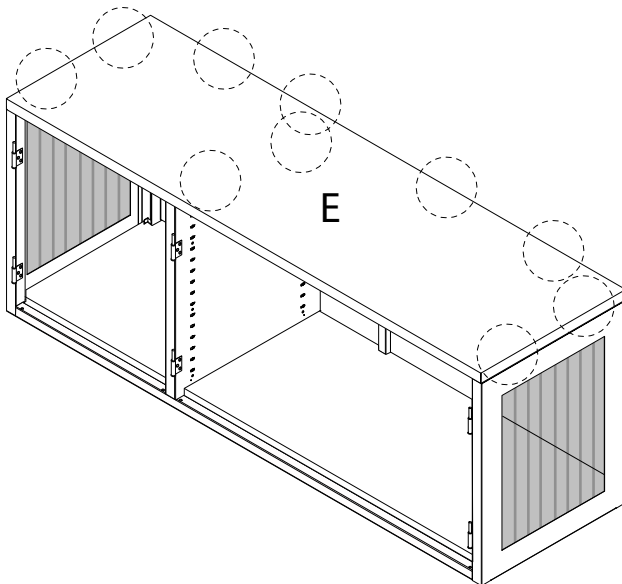
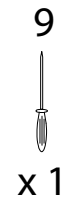
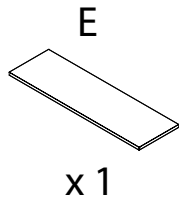
x 1



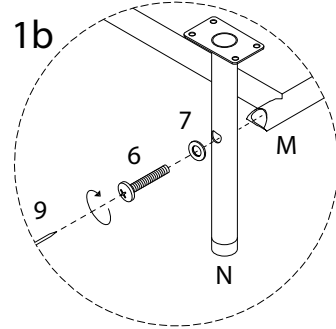
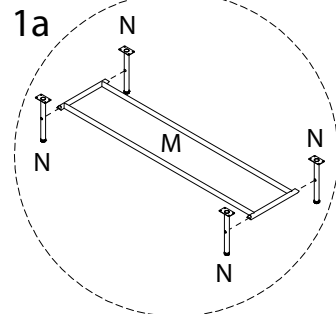
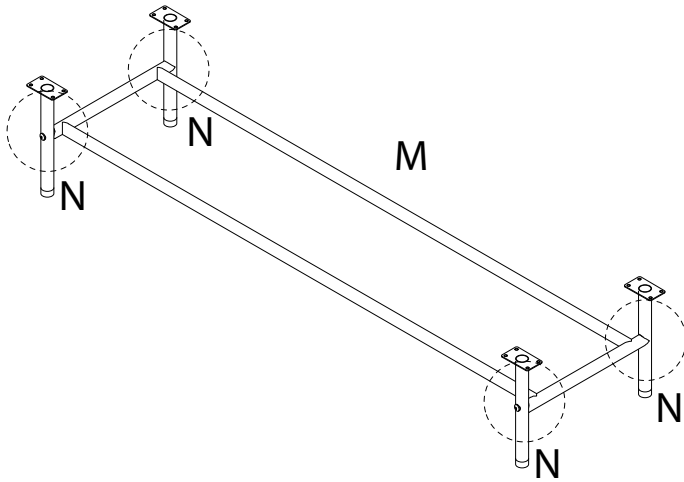
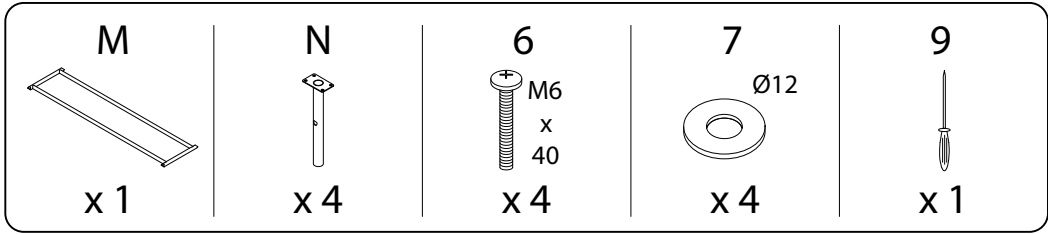
7



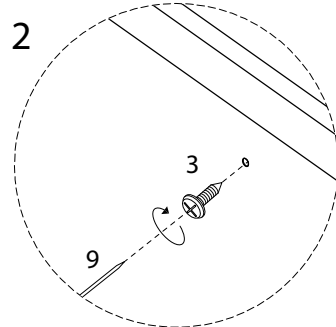
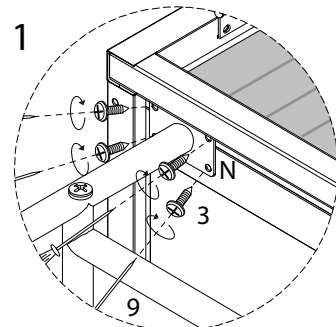
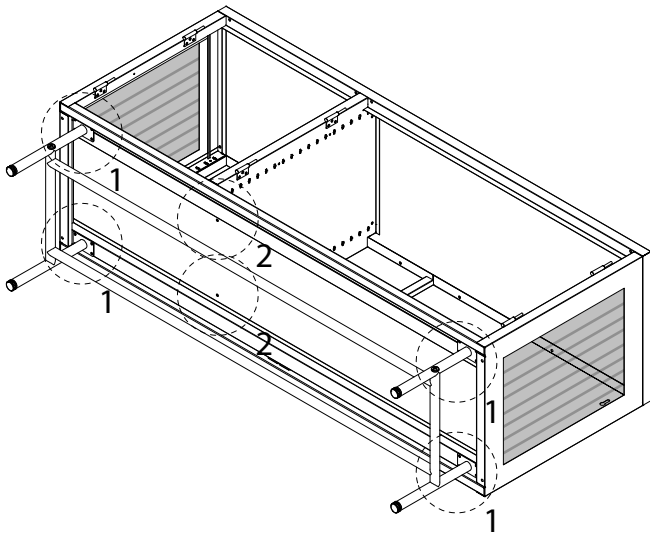
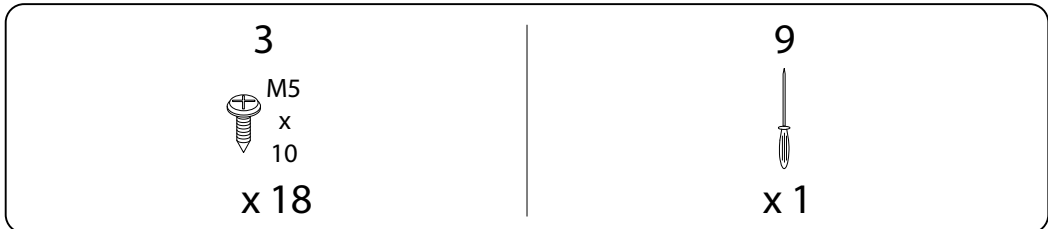
8



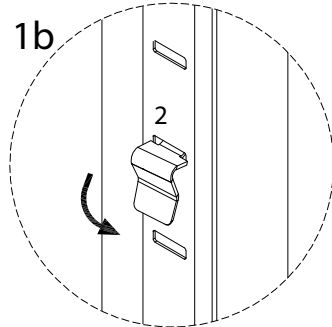
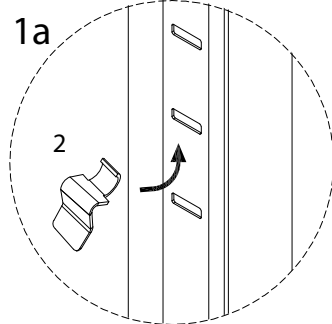
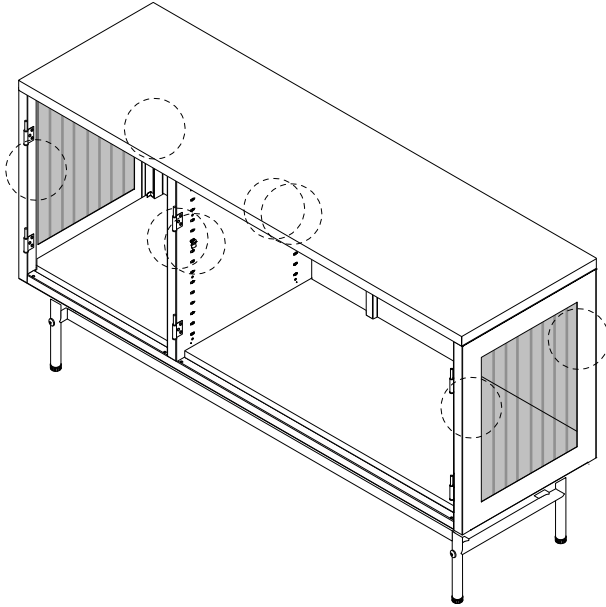
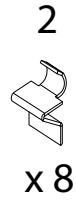
9



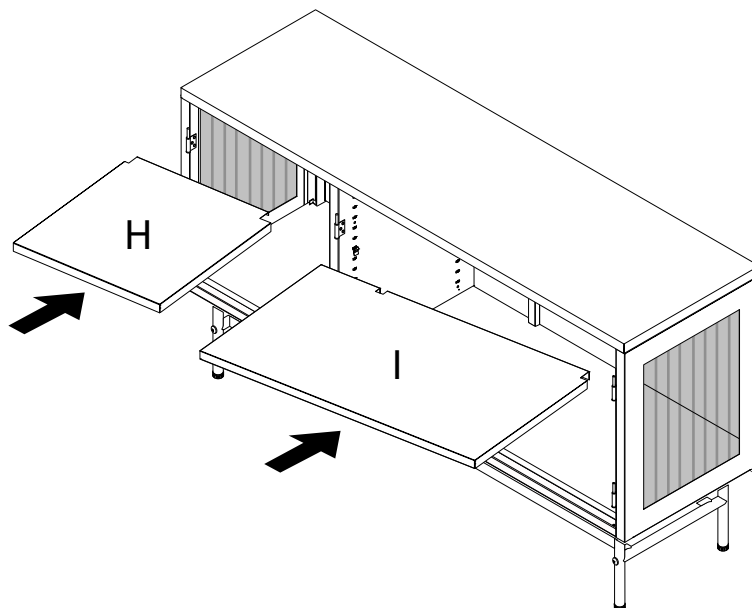
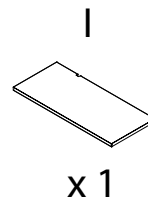
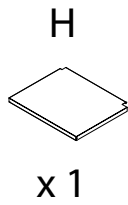
10



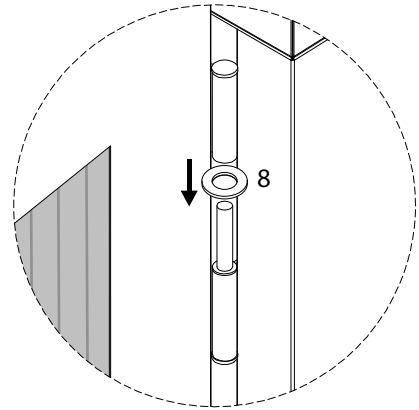
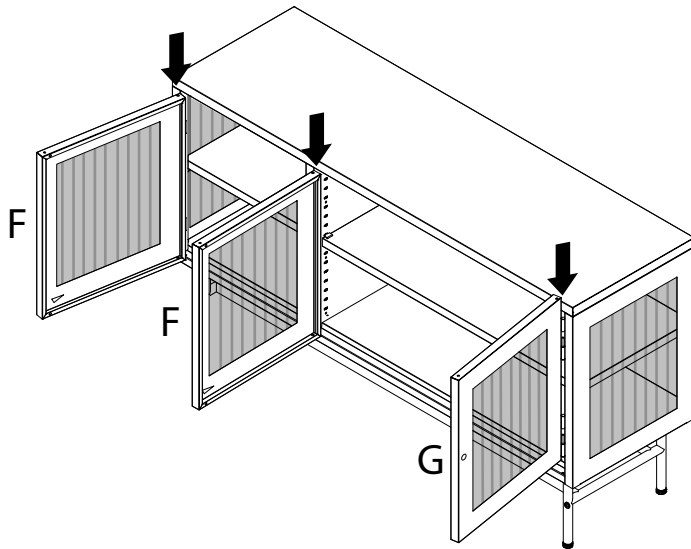
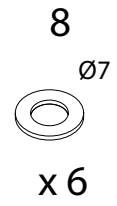
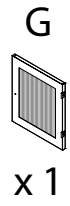
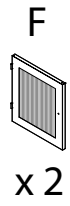
11



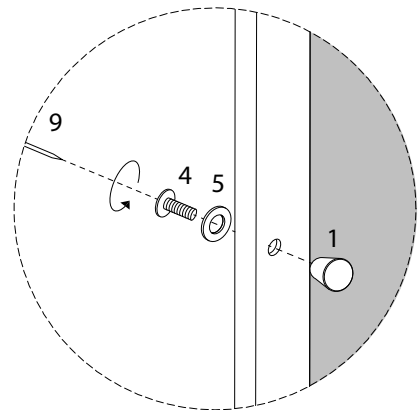
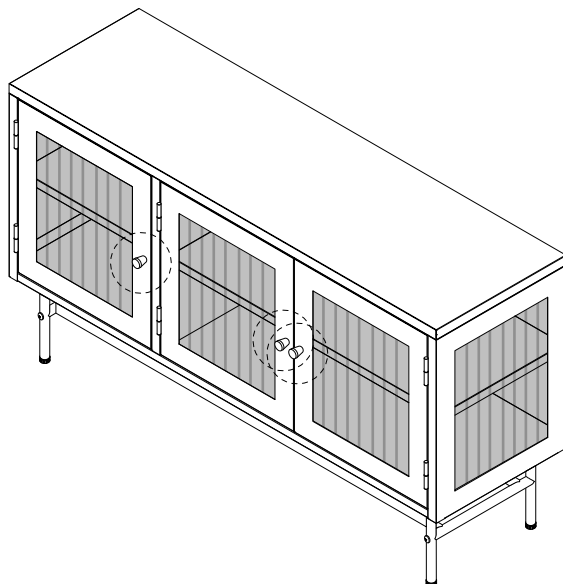
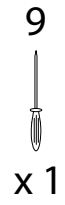
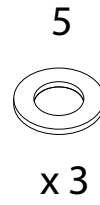
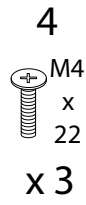
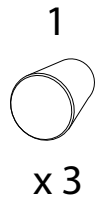
12



13



14



15

9



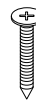
x 1

10a



x 2

10b



x 2

