

RUVATI LIMITED LIFETIME WARRANTY

RUVATI offers a LIMITED LIFETIME WARRANTY on Ceramic Sinks to be free of manufacturing defects under normal use.

This limited warranty is extended to the original purchaser of this sink. RUVATI will repair or replace, at no charge, excluding transportation and labor, any Ceramic Sink supplied by RUVATI that is proven to have a manufacturing defect, to the original purchaser, provided it has been used solely in a residential application and installed correctly. An equivalent replacement will be issued to the original owner provided the defective sink was installed in accordance with the installation procedures, used and cleaned as recommended, and not damaged due to abuse, misuse, or negligence. Chips, scratches, and stains are not deemed to be manufacturing defects. RUVATI will not be held liable for chips, scratches, and stains that can occur under normal use over a period of time. Please refer to the cleaning instructions to maintain your sink. RUVATI shall not be held liable under this warranty where the sink has been used in a non-residential application, improperly installed, or damaged by an object being dropped on or impacting the sink or from improper handling. RUVATI shall not be liable for any inconvenience or expense for material or labor related to the removal or replacement of a defective sink or for any loss or damage to any person or property whatsoever resulting from the defective sink. All transportation costs to and from the point of purchase will be the responsibility of the purchaser. Any sink returned must be in the original packaging and include all the accompanying accessories, parts, and documentation. The manufacturer reserves the right to inspect and/or request digital pictures of any sink reported to be defective prior to replacement of the sink.

Any manufacturing defect covered under this warranty must be reported to RUVATI for warranty claim within 30 days of appearance.

RUVATI shall not be liable in case of:

- Shipping or freight damage
- Chipping
- Cuts and nicks
- Scratches or scuff marks due to use
- Common signs of wear
- Holes drilled incorrectly
- Installation damage
- Abuse or misuse (i.e. impact damage, hot pots placed in the sink, etc.)

It is important that the professional fabricator installer and end-user carefully inspect the sink for damage immediately upon delivery. If any damage is not reported and documented on the delivery receipt with the shipping carrier upon delivery all insurance coverage ends and RUVATI will not be able to file a claim or send a replacement sink.

To submit a warranty claim it is the responsibility of the customer or installer to submit to RUVATI a minimum of five (5) high resolution photographs clearly showing the manufacturing defect. Replacement cost excludes transportation and any labor costs for the removal or re-installation.

No other warranties, express or implied, are made. Under no circumstances shall RUVATI be liable for any loss or damage arising from the purchase, a defect in, or use or inability to use this Ceramic Sinks, or for any special, indirect, incidental or consequential damages. RUVATI's liability under this warranty is limited to the repair or replacement of the defective material to the location of purchase. No representative, dealer or any other person is authorized to make any warranty, representation or promise on behalf of RUVATI.

Register your product at: www.ruvati.com/register

RUVATI®

Address: 2705 Meister Pl, Round Rock, TX 78664

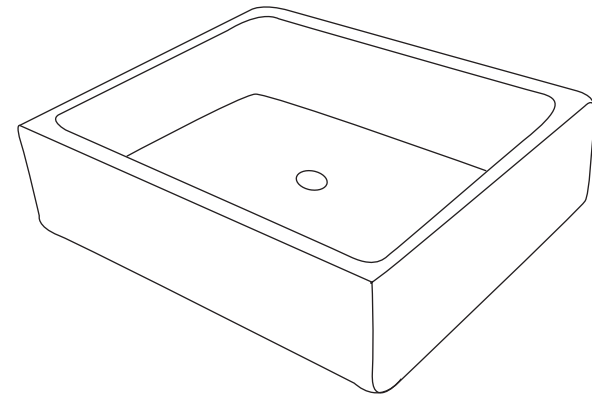
USA Phone: 1.855.478.8284

Email: support@ruvati.com

RUVATI®

INSTALLATION GUIDE

VESSEL BATHROOM SINKS



RVB0312, RVB0314WG, RVB0316, RVB0318, RVB0419
RVB0424, RVB0432, RVB1414WG, RVB1515WG4,
RVB1616, RVB1915, RVB2016, RVB2113, RVB2119,
RVB2416, RVB2550, RVB2819

ATTENTION INSTALLER

- Please read all information below and keep this installation guide for future reference.
- Keep the sink fully covered after installation to keep away dirt and construction dust, until all construction is complete and the site has been cleaned.
- Ruvati recommends that this sink be installed only by a professional installer.
- Inspect the sink and box contents immediately upon delivery. If you see any shipping damages on the sink, or missing parts, contact Ruvati Support.
- Do not start the cutout or cabinet prep process before having the sink in hand.
- It is recommended that you discuss with customer the desired installation position of sink and faucet prior to installation. Ruvati is not responsible for improper installation or damage to sink, cabinet or countertop.
- Follow all local plumbing and building codes.

INCLUDED IN BOX

Sink

Installation Guide

TOOLS REQUIRED

Safety glasses
Level
Framing Square
Tape Measure
Drill

Silicone Adhesive
Plumbers Putty
Caulking
Pencil or Marker

INSTALLATION

1. Determine the position of the sink on the countertop by placing the sink where you want it to be. Remember to leave clearance behind the sink for faucet installation. We recommend a clearance of 4 - 5 inch from the backwall or backsplash.
2. Begin by marking the center of the drain hole, then set the vessel sink aside. Using a power drill equipped with a hole saw, carefully cut an opening in the countertop. The size of the opening should be 3-inch or larger. Depending on the material of your countertop, you may require a specialized hole saw. Additionally, it may be necessary to drill a pilot hole before using the hole saw for a cleaner cut.
3. Attach the popup drain (not included) securely to the vessel sink. Follow the instructions provided with your popup drain.
4. Check the alignment of your sink by placing it on the hole.
5. Clean the countertop and remove any debris or dust. Wipe it clean with alcohol or water, and then wipe dry.
6. Apply a bead of clear silicone adhesive around the bottom rim of the sink as shown.
7. Carefully place the sink on the countertop. Align. Press firmly.
8. Allow adhesive to set for 30-60 minutes.
9. Connect plumbing to the drain. Install and connect faucet. Run water through the sink and check for any leaks.

