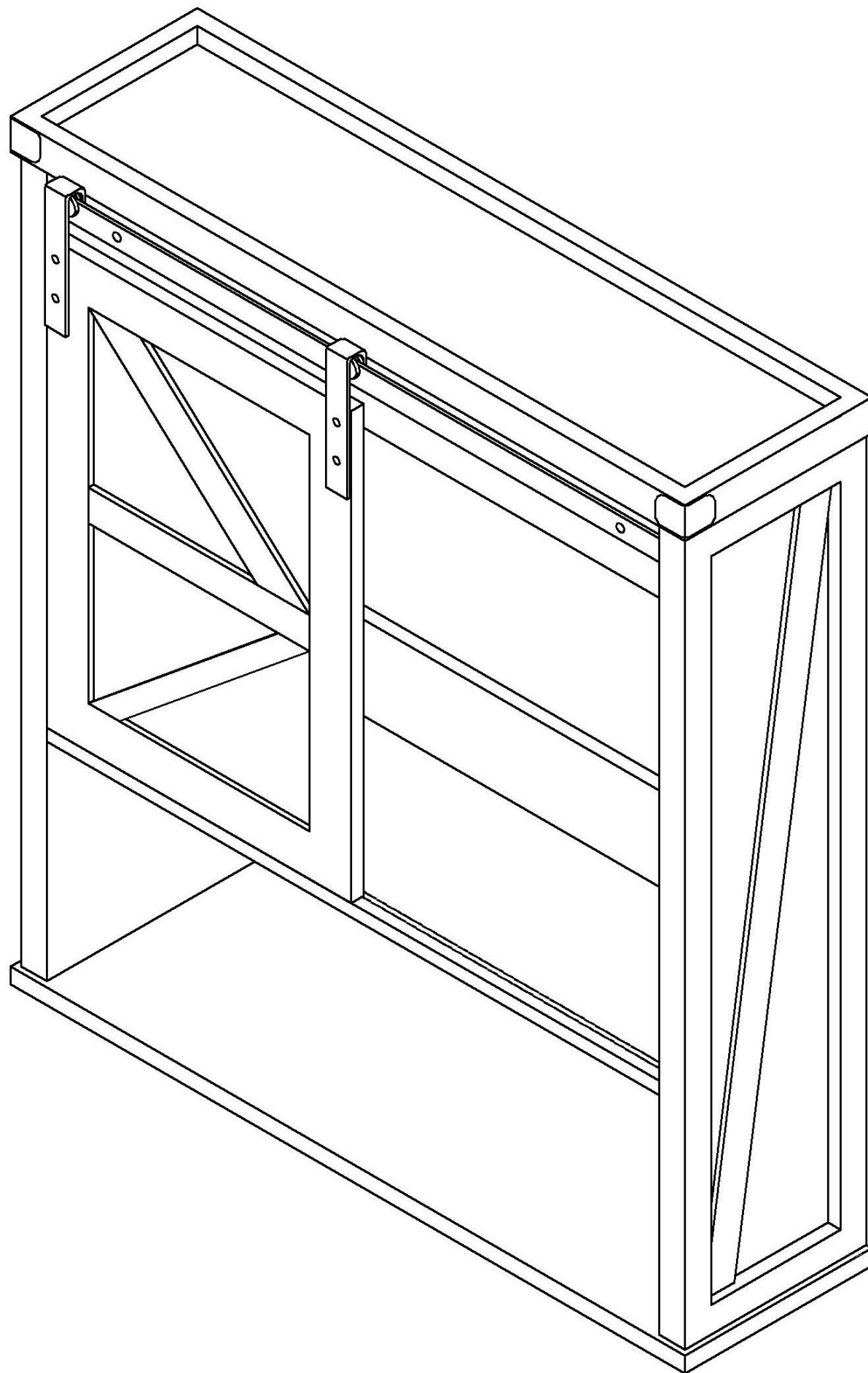
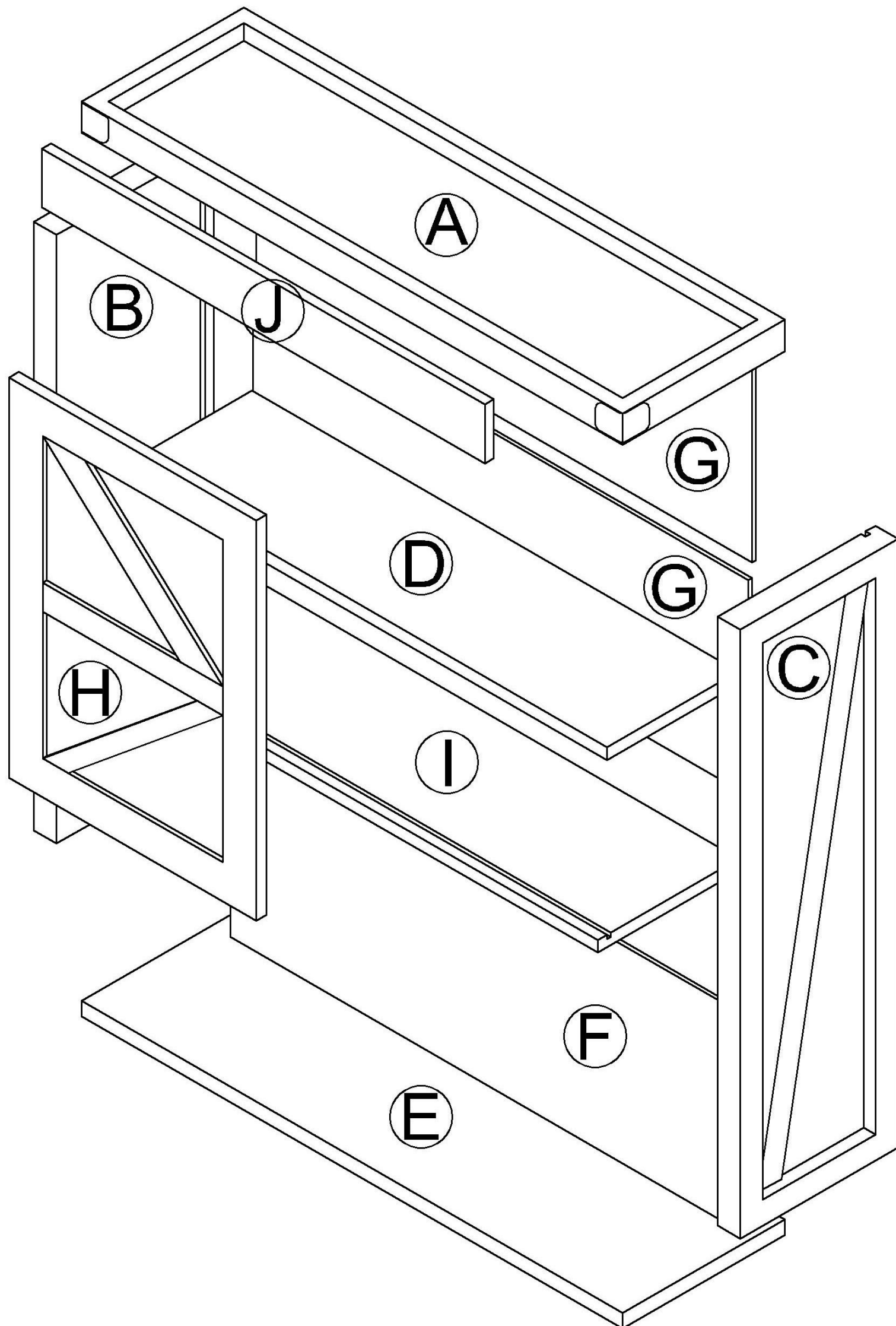


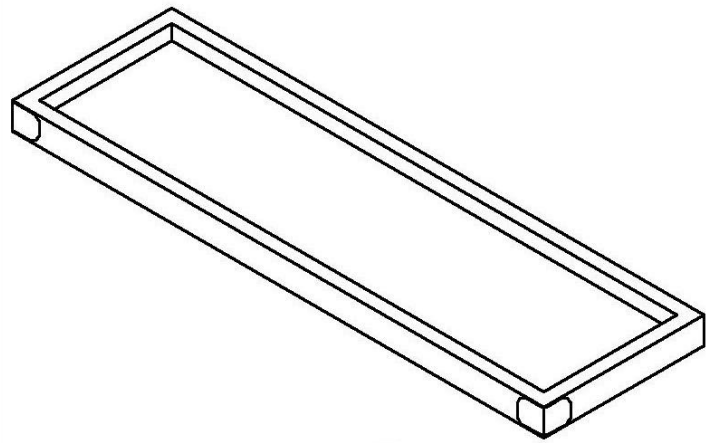
LY-97021 Storage cabinet manual



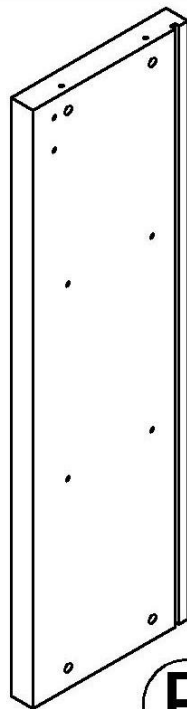
Hardware list



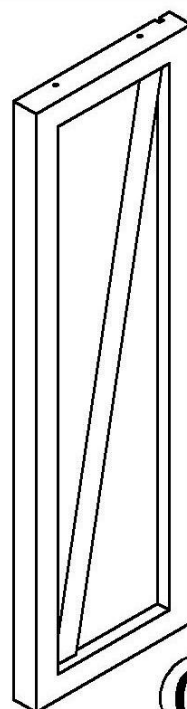
Hardware list



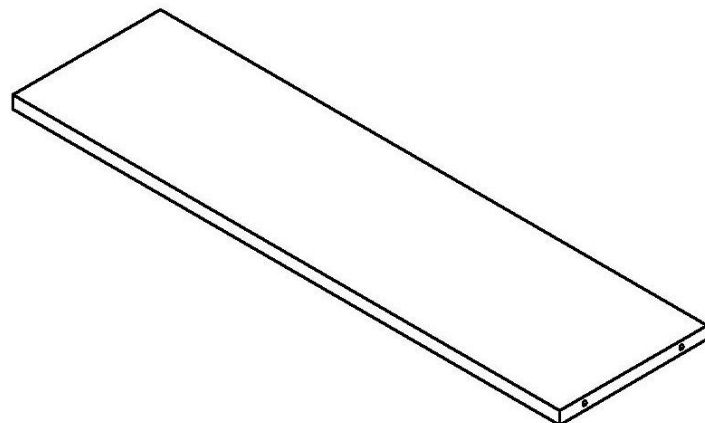
A



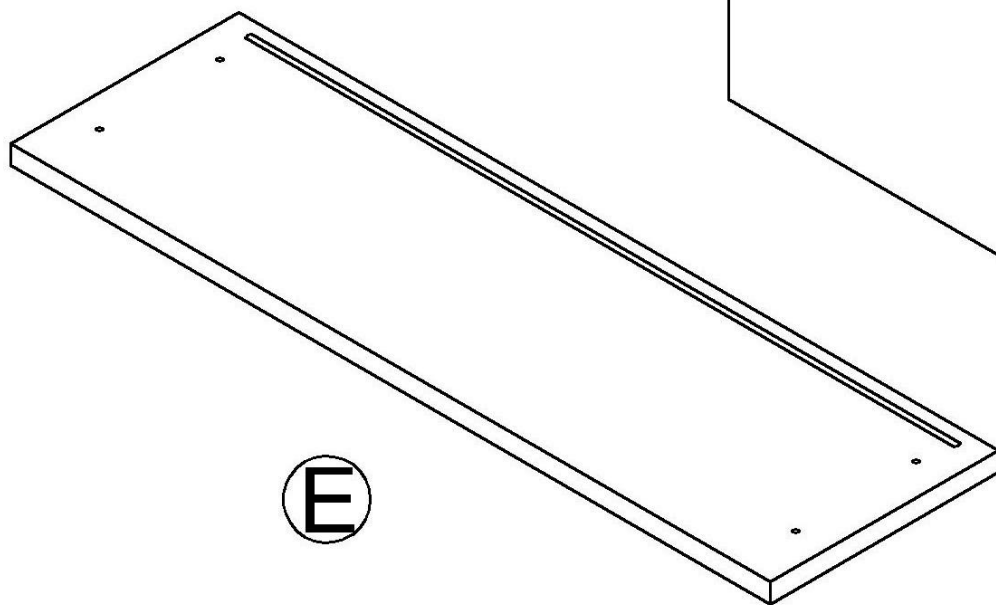
B



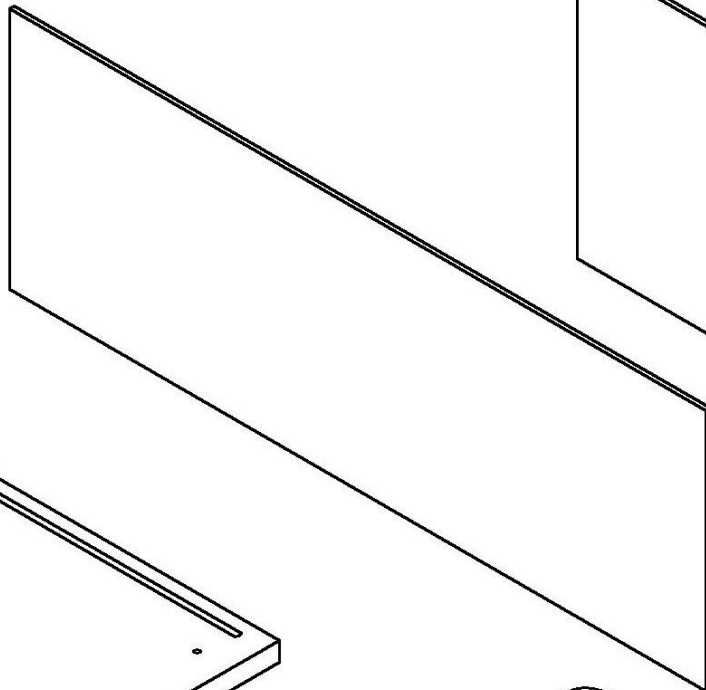
C



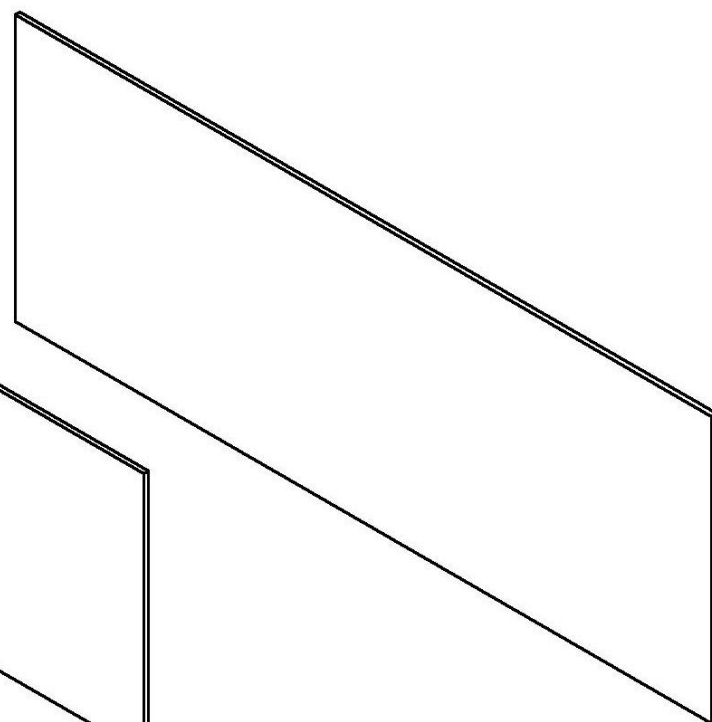
D



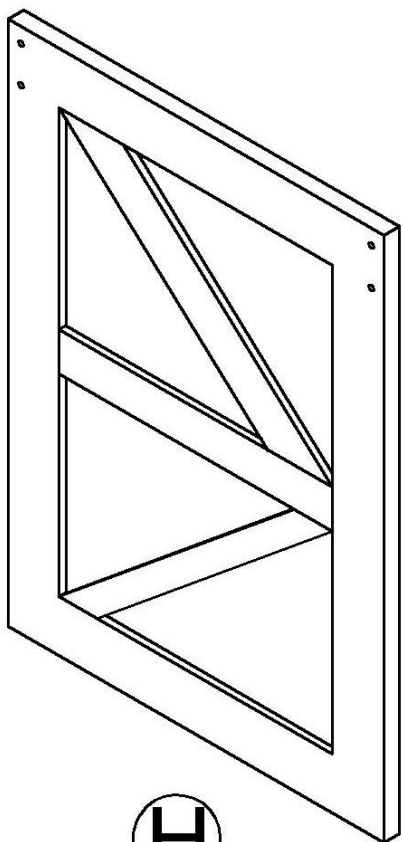
E



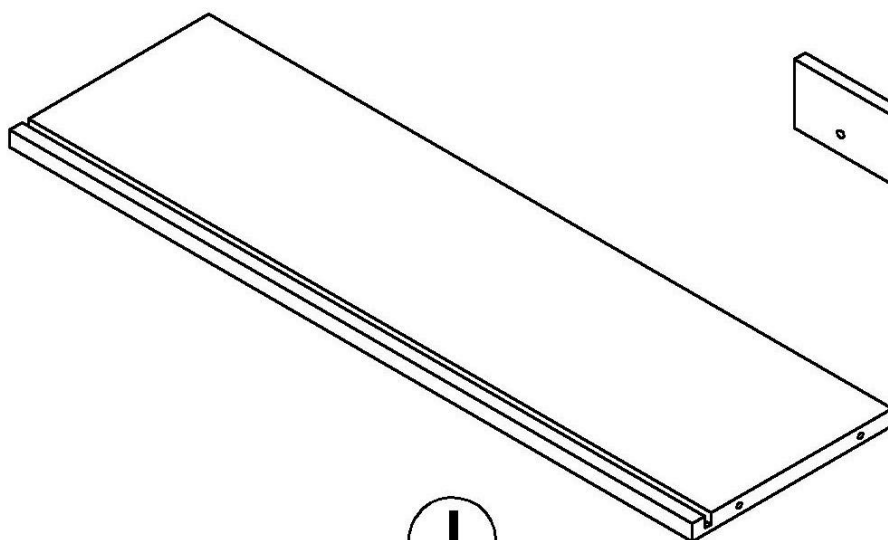
F



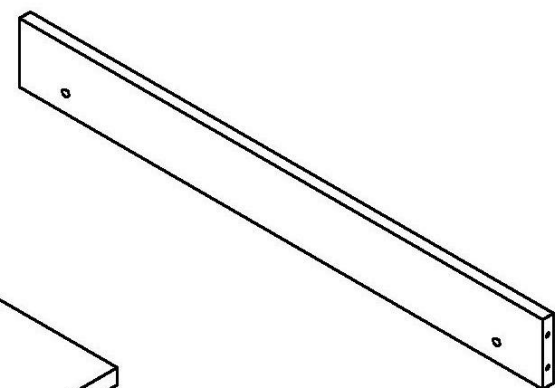
G x2



H

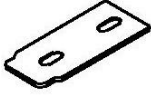
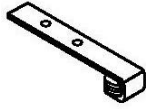
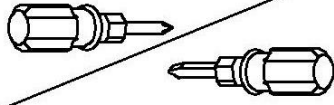
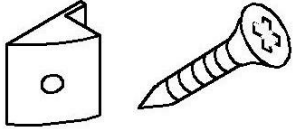



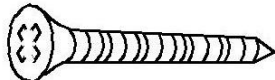
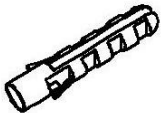
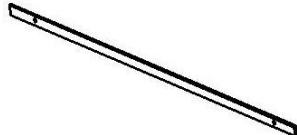

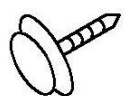
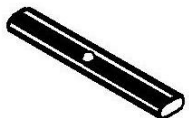


I



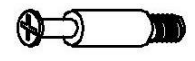
J

Accessories list

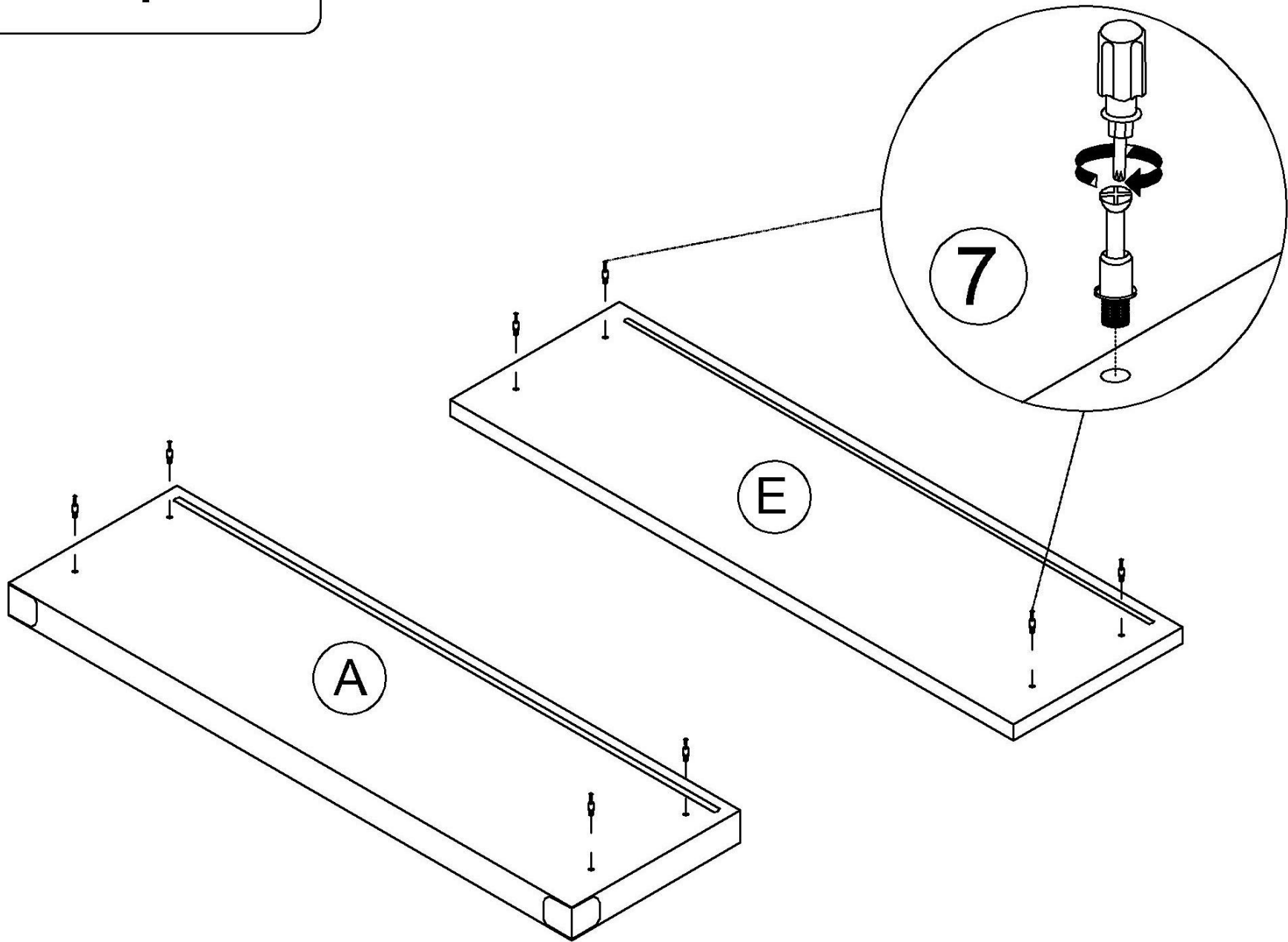
| | | | |
|---|---|---|--------|
| ① |  | Stop iron | 2 Pcs |
| ② |  | Slide rail | 2 Pcs |
| ③ |  | Screwdriver | 1 Pcs |
| ④ |  | Back plate buckle & Screw (3x16mm) | 6 Pcs |
| ⑤ |  | Self tapping screw(3.5*12mm) | 10 Pcs |
| ⑥ |  | Small cross screw assembly (10*12mm) | 22 Pcs |
| ⑦ |  | Two in one screw (6x28mm) | 22 Pcs |
| ⑧ |  | Self tapping wire(4x45mm) | 2 Pcs |
| ⑨ |  | Colloidal granules | 2 Pcs |
| ⑩ |  | guide rail | 1 Pcs |
| ⑪ |  | Guide screw(6x22mm) & Guide screw sleeve(10x9mm) | 2 Pcs |
| ⑫ |  | Back plate nail | 6 Pcs |
| ⑬ |  | Ceiling light | 1 Pcs |

Step 1

7

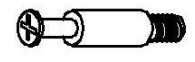


x 8

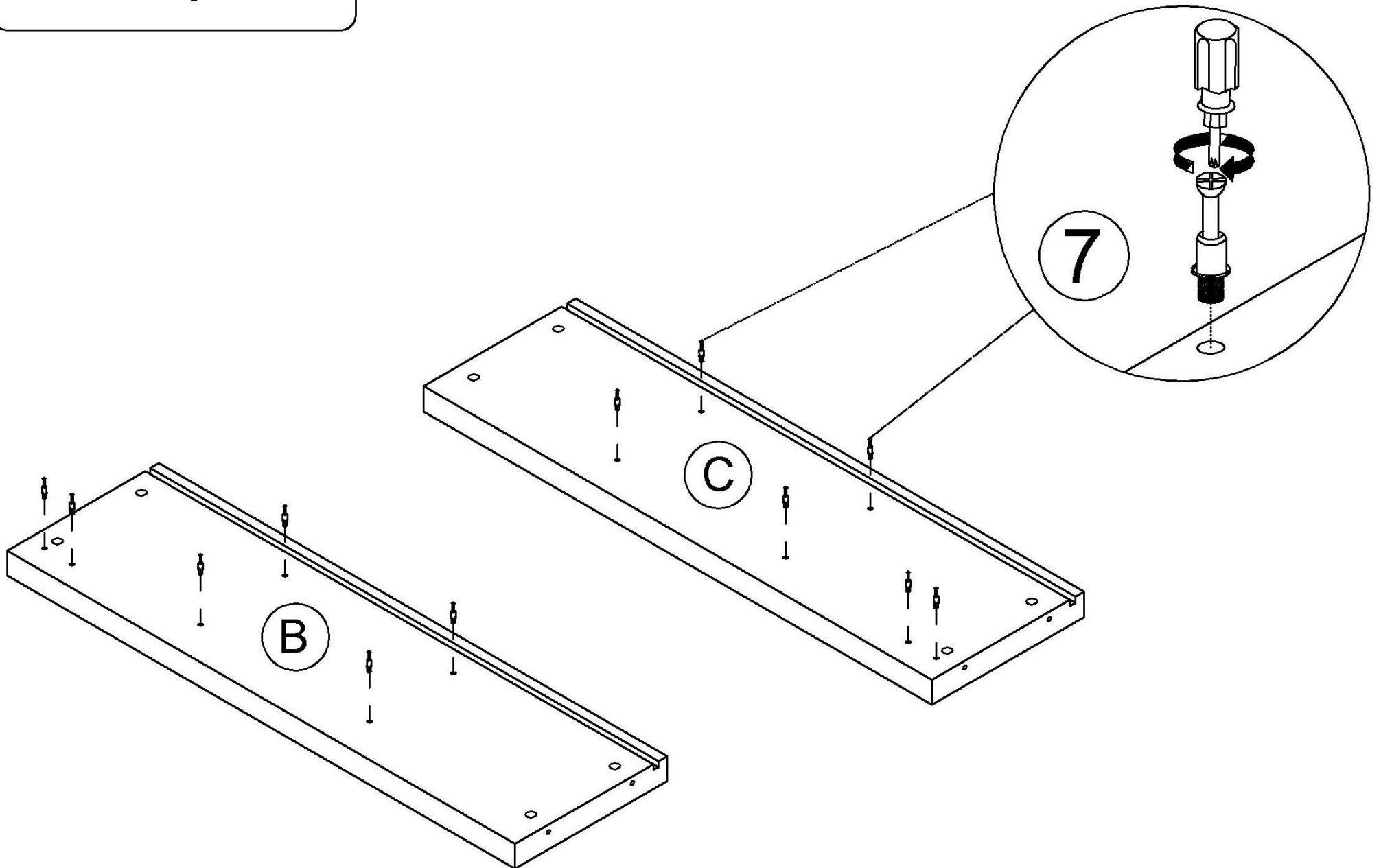


Step 2

7



x 12

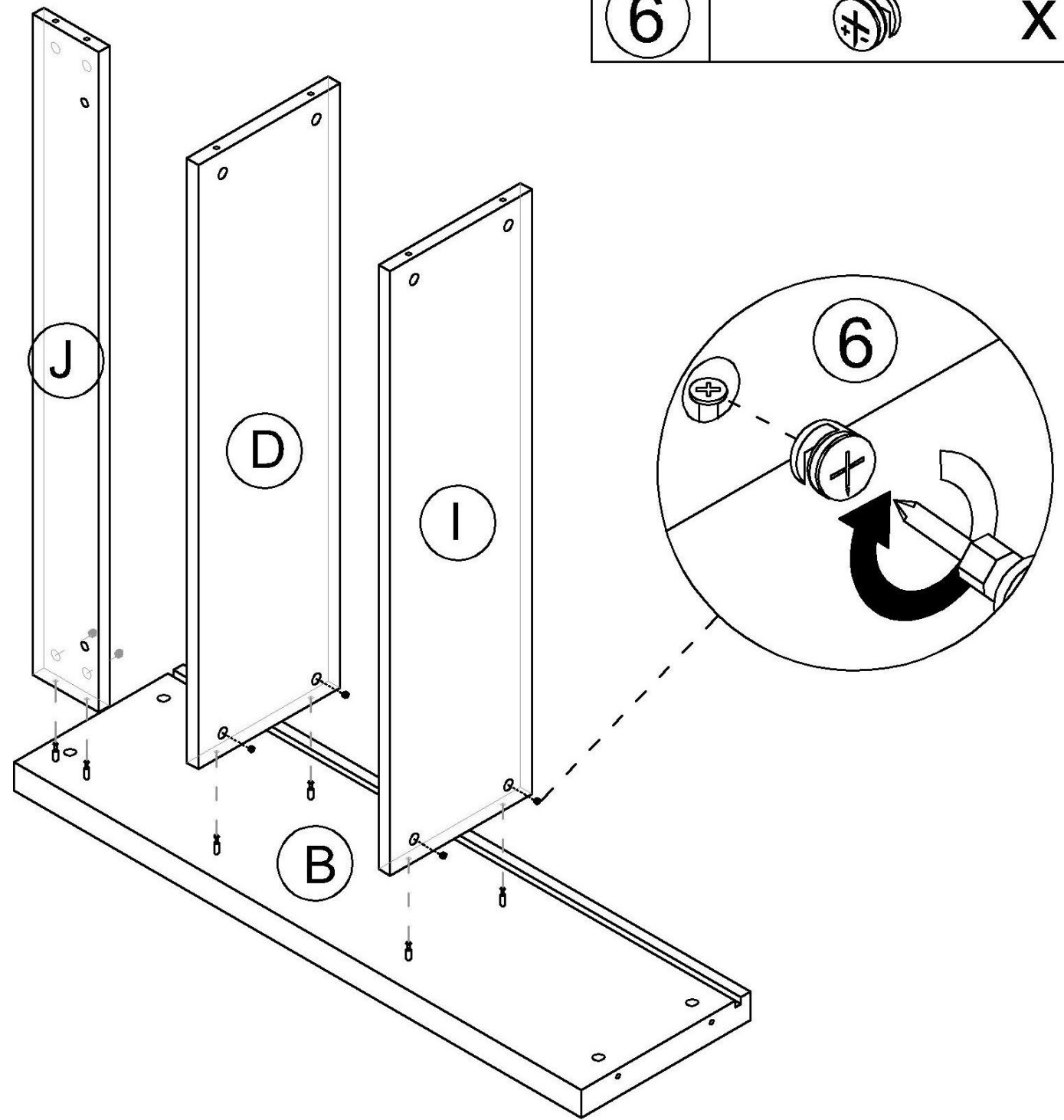


Step 3

6



x 6

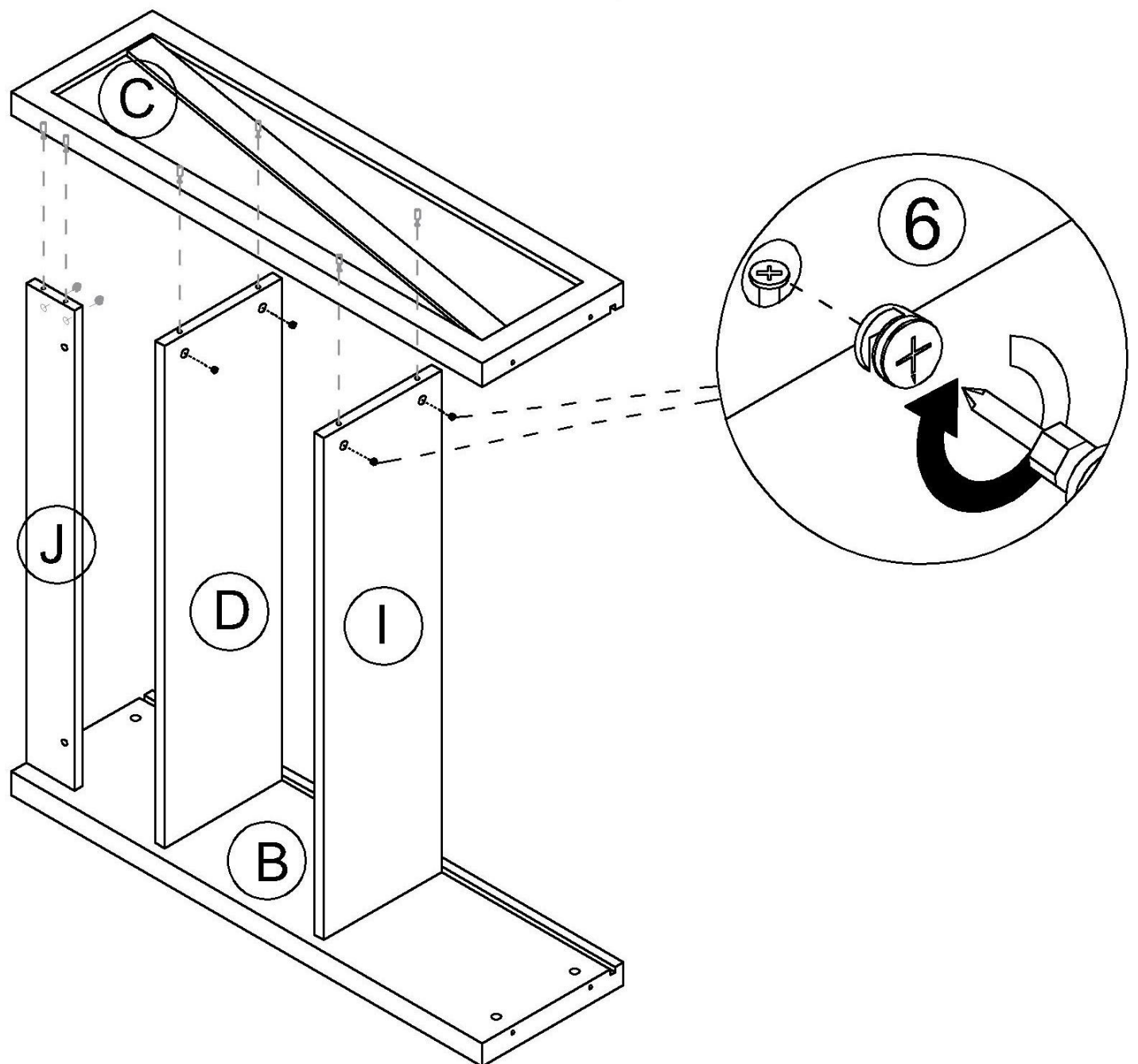


Step 4


6

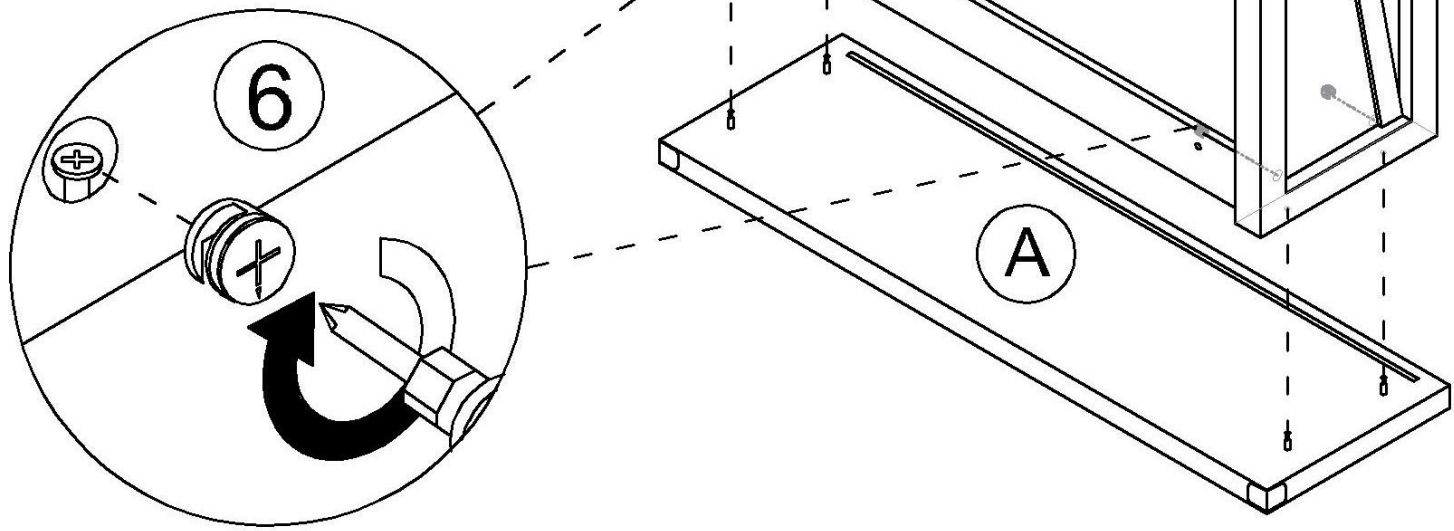


x 6





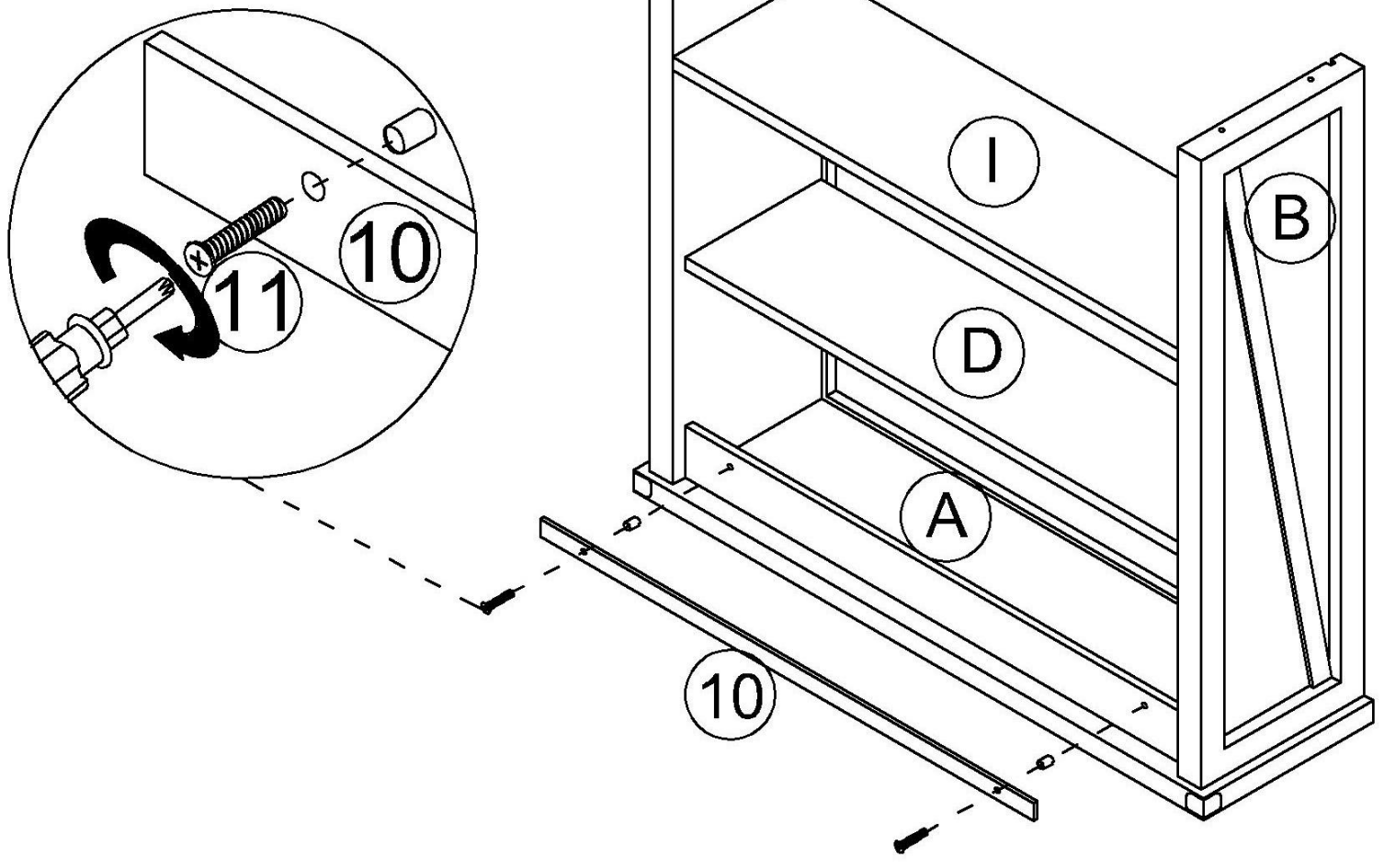
Step 5

6  x 4



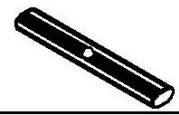
Step 6

10  x 1
11  x 2



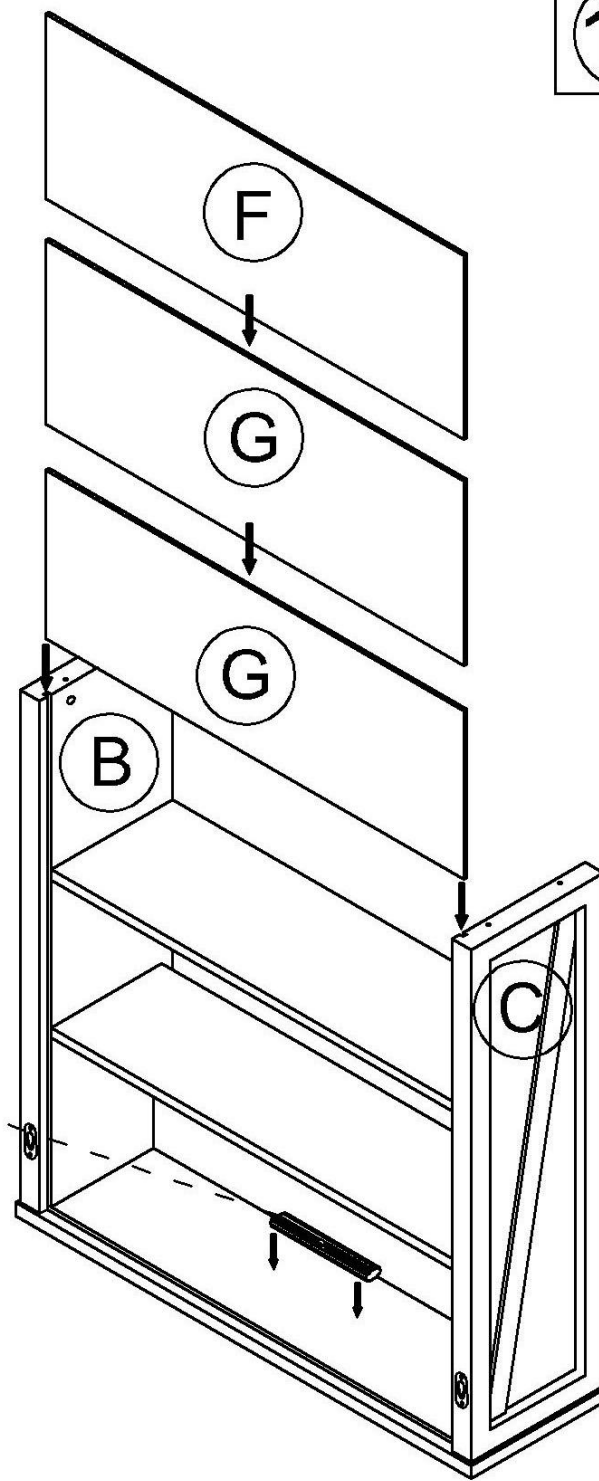
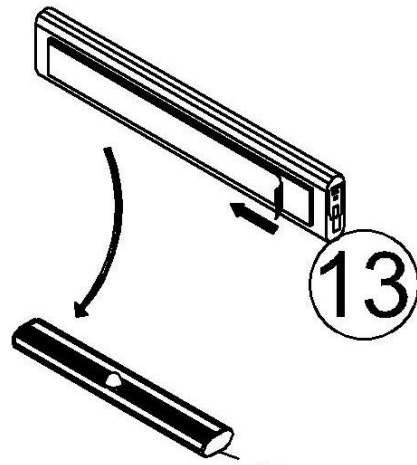
Step 7

13



x 1

Battery installation
(Tip: use 4 AAA Batteries)

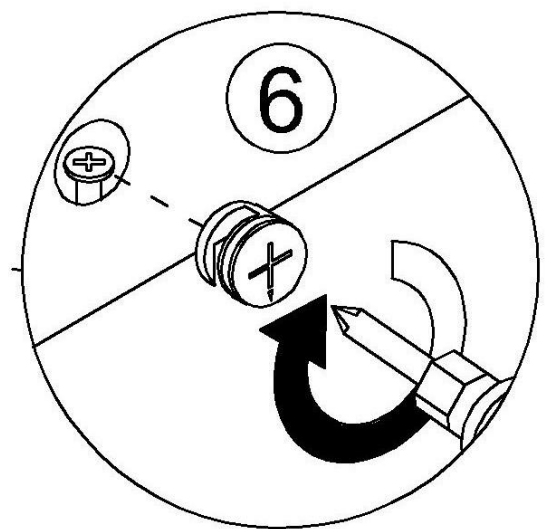
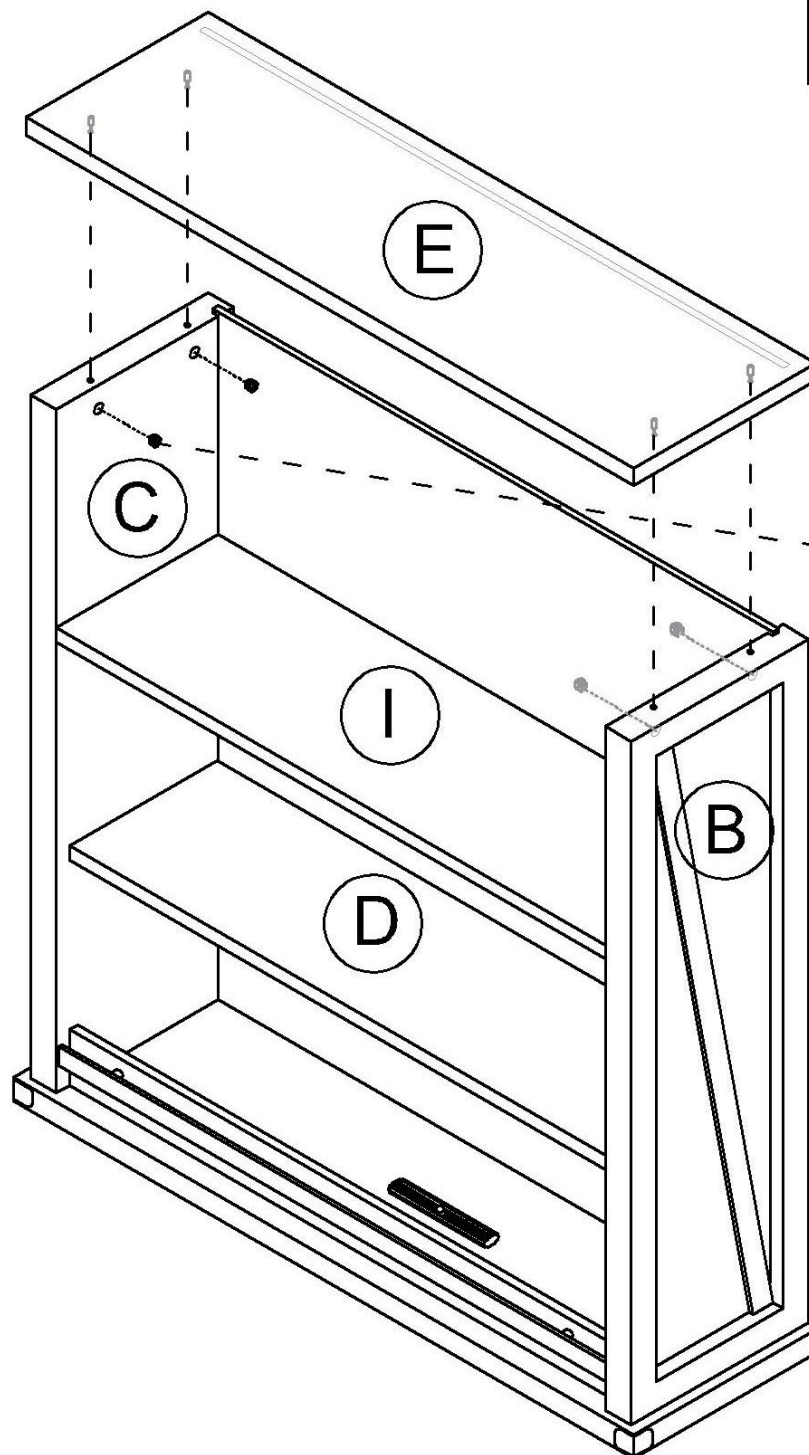


Step 8



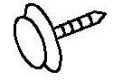
6

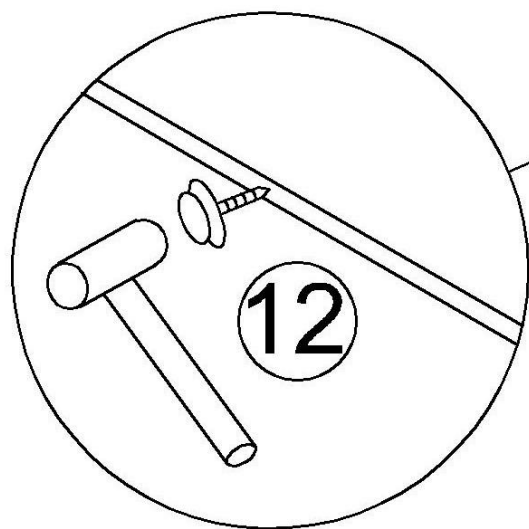
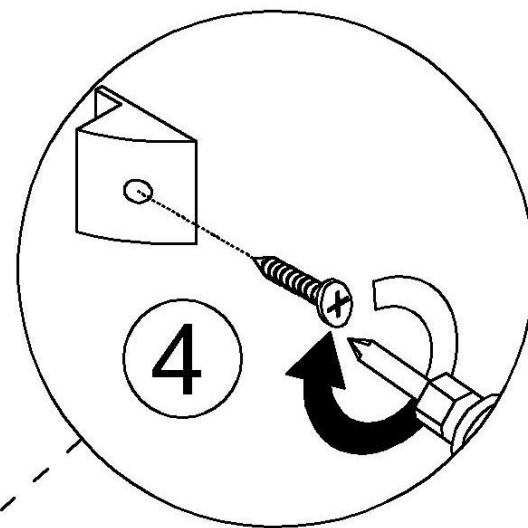
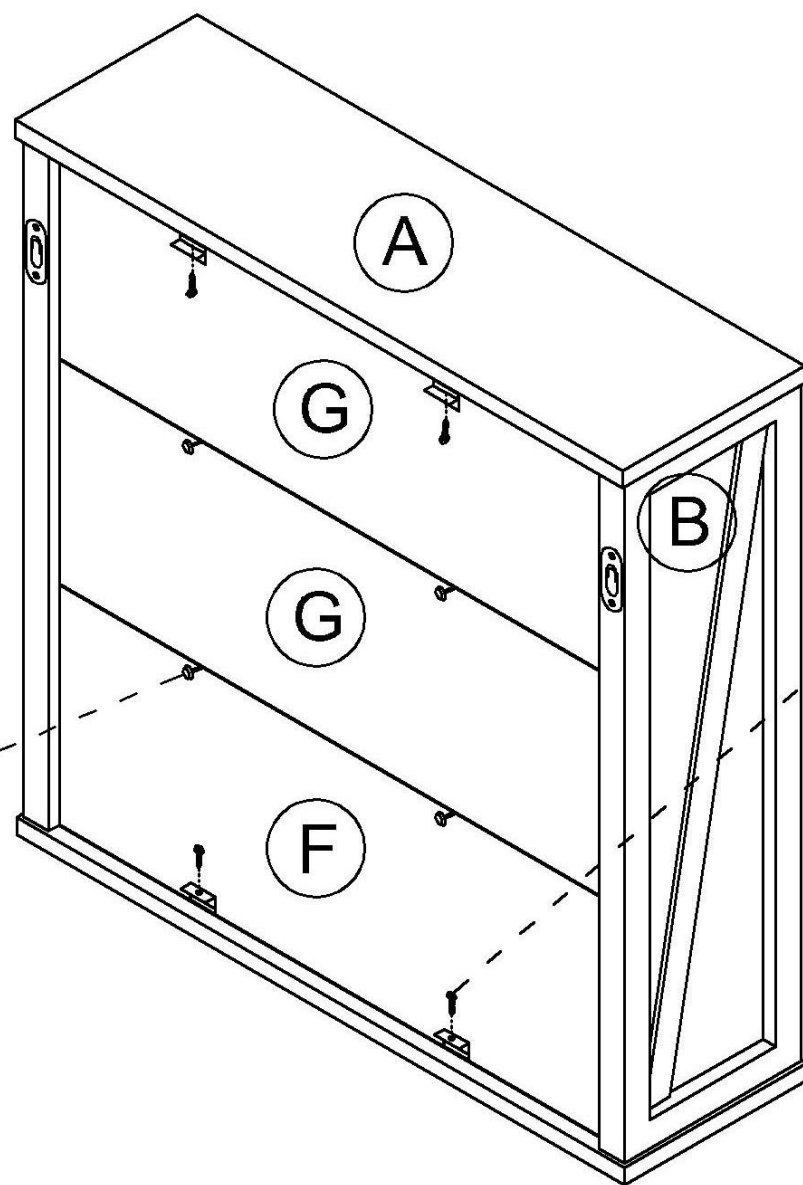


x 4

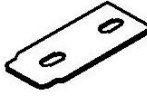



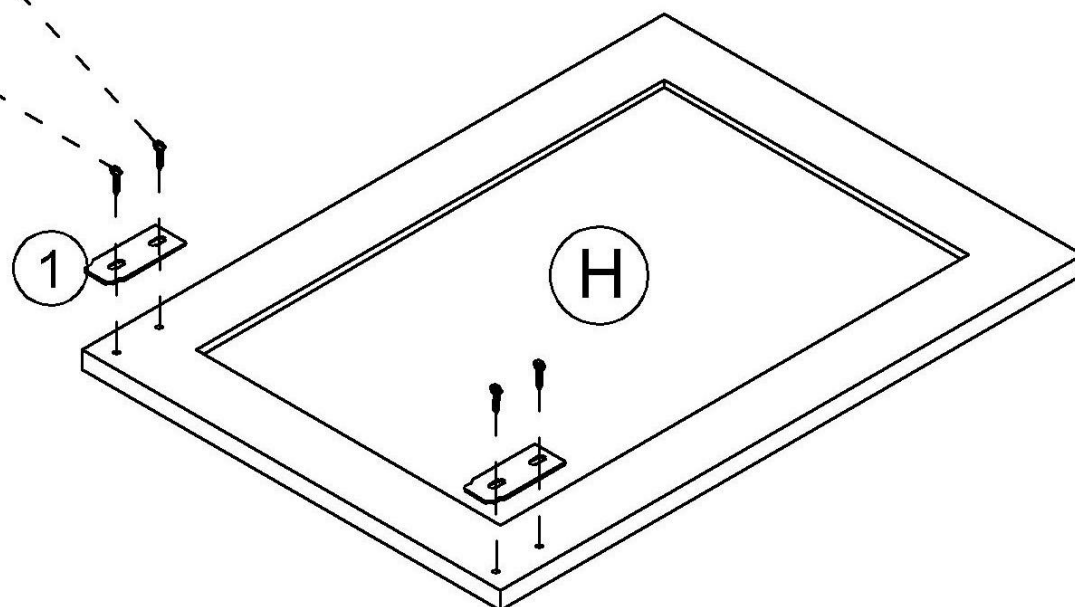
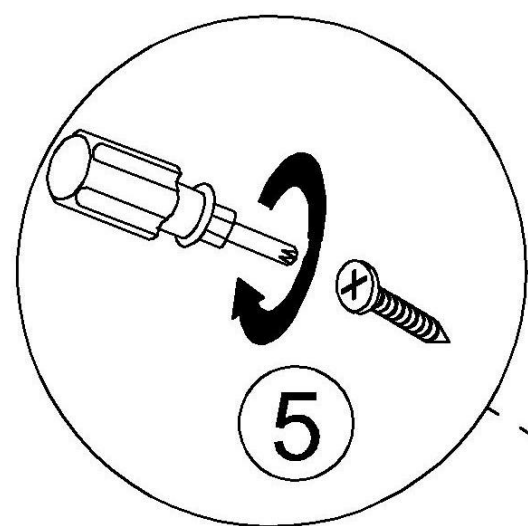
Step 9

| | | |
|----|---|-----|
| 4 |   | x 4 |
| 12 |  | x 4 |



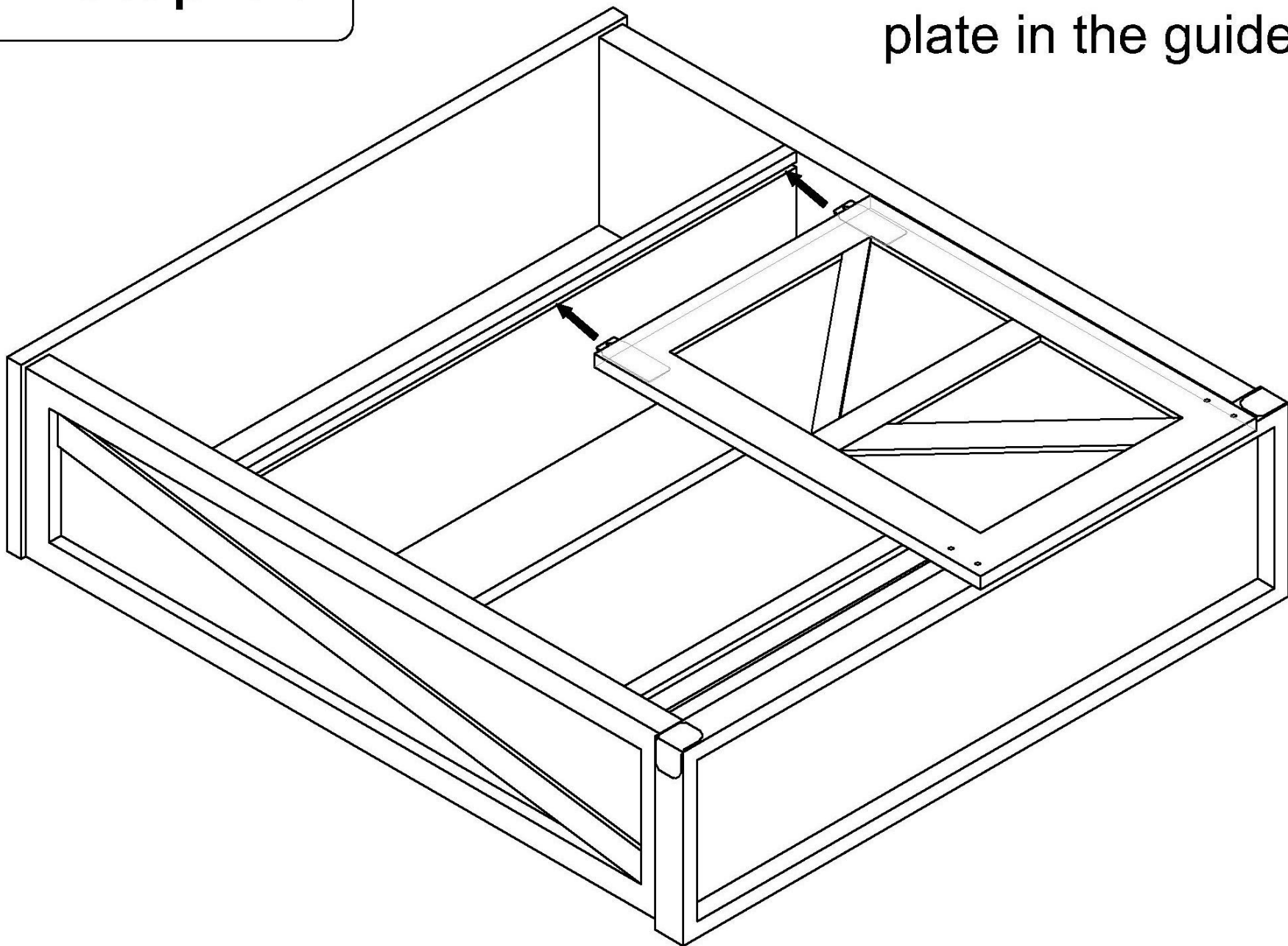
Step 10

| | | |
|---|---|-----|
| 1 |  | x 2 |
| 5 |  | x 4 |

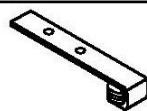



Step 11

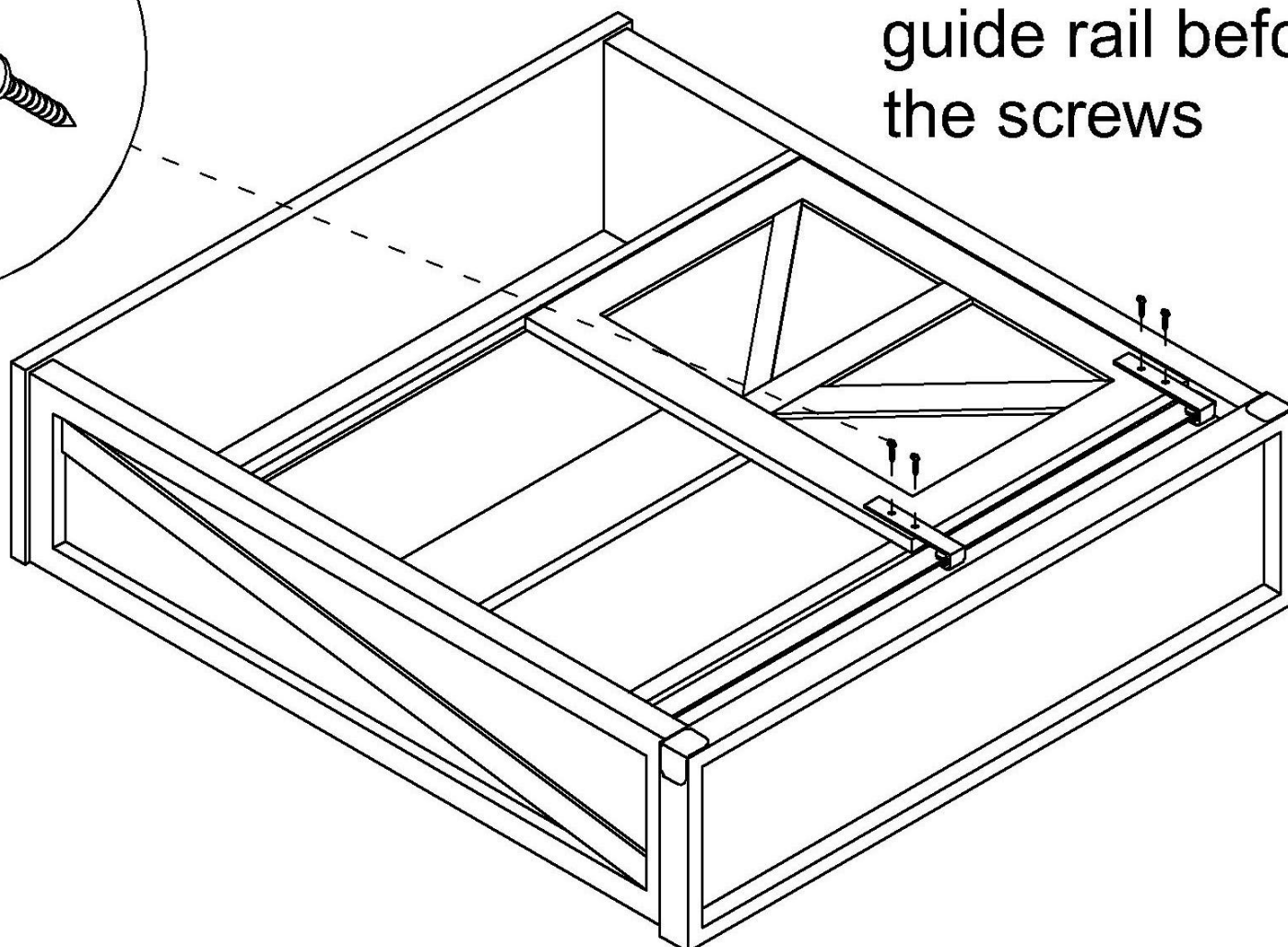
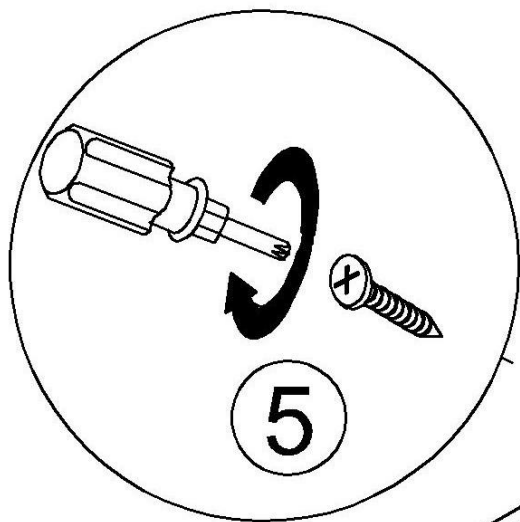
Place the bottom iron plate in the guide rail



Step 12

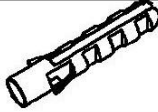
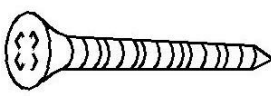
| | | |
|---|---|-----|
| 2 |  | x 2 |
| 5 |  | x 4 |

Please hang the rail hanger wheel on the guide rail before locking the screws



Wall Mount

(Tip: Please use your own tools)

| | | |
|---|---|-----|
| 9 |  | x 2 |
| 8 |  | x 2 |

