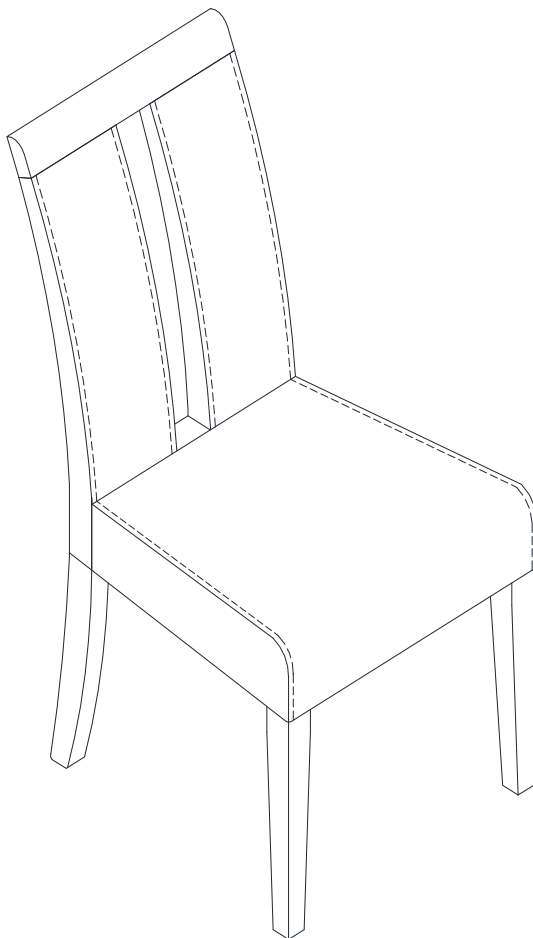


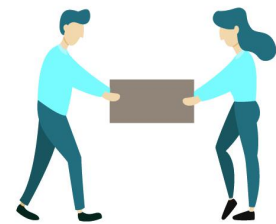
ASSEMBLY INSTRUCTIONS



TOOLS REQUIRED



Allen Wrench
(Included)



2 - People
Recommended

ASSEMBLY RATING

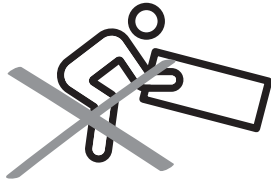


EASY —————> DIFFICULT

The Assembly Rating is a 5-point system showing the level of effort needed to assemble a specific product.

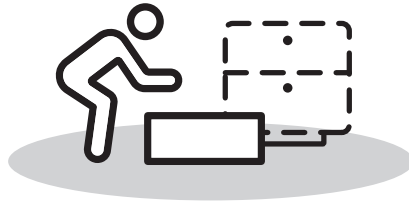
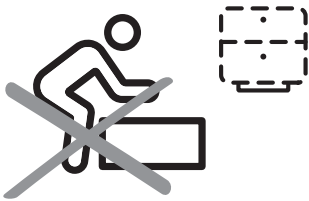
PRE ASSEMBLY INTRODUCTION

We understand building ready-to-assemble furniture can be a challenging experience for some. To help avoid confusion, we have provided some helpful tips that may speed up the process.



Teamwork

ALWAYS have at least two people to help with transporting and assembling the product to avoid potential injury and/or damage.



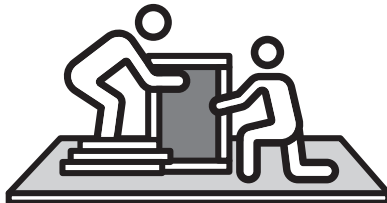
Suitable Location

Assembling near the area of the intended location is highly recommended.



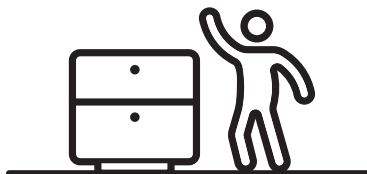
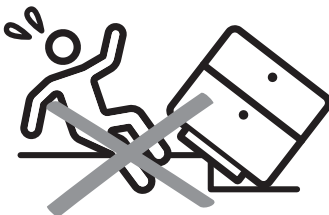
Sufficient Space

Make sure you have enough space to move around during the assembly.



Avoid Scratches

Use cardboard, blankets or a carpeted area while assembling furniture to prevent to prevent scratches and damages.



Flat Surface

Make sure the furniture rests on a flat and level surface with each leg evenly touching the floor.

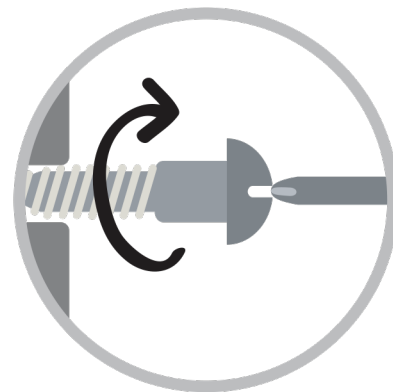
ASSEMBLY AND CARE ADVICE



FAILURE TO FOLLOW THE GUIDELINES BELOW MAY RESULT IN INJURY AND/OR PROPERTY DAMAGE.



Position each part correctly and insert screws or bolts into their respective holes.



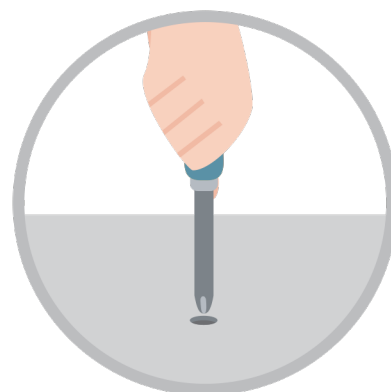
Turn clockwise to tighten and only tighten when step is completed or when instructed to do so.



Use the appropriate hand tools or power tools for assembly. Select steps, such as tightening screws and/or bolts, may require hand tools to avoid causing damage during assembly.



Save the instructions and store any supplied tools for later maintenance.



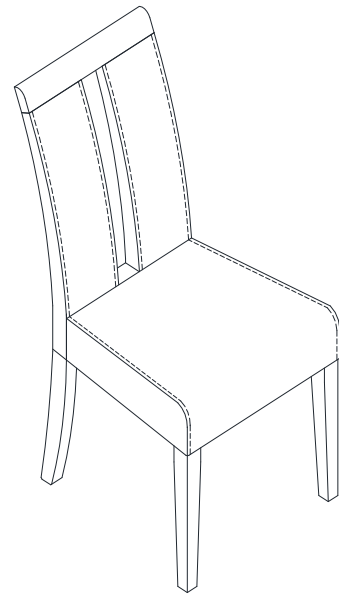
After two weeks, check and tighten any loose hardware and repeat again every six months thereafter.

IT IS THE USER'S RESPONSIBILITY TO MAINTAIN THE FURNITURE. THE HARDWARE MAY LOOSEN OVER TIME AND MAY CAUSE THE FURNITURE TO BE WOBBLY AND UNABLE TO SUPPORT ITS INTENDED WEIGHT CAPACITY. THIS MAY LEAD TO COLLAPSE AND MAY CAUSE SERIOUS INJURY.

SIDE CHAIR

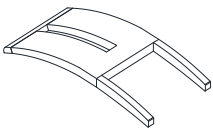


- Please keep instructions for future reference.
- Check the quantity and irregularity of parts and hardware before you start.



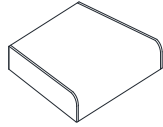
PARTS

#1 1pc



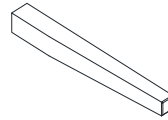
Back Rest w/Legs

#2 1pc



Seat Cushion

#3 2pcs



Leg

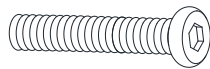
HARDWARE

#A 1pc



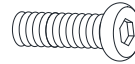
Allen Wrench

#B 4pcs



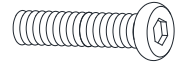
Bolt ϕ 5/16" x 3-1/2"

#C 2pcs



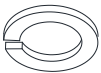
Bolt ϕ 5/16" x 2"

#D 4pcs



Bolt ϕ 5/16" x 2-1/4"

#E 10pcs



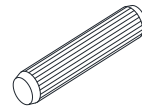
Lock Washer ϕ 5/16"

#F 10pcs



Flat Washer ϕ 5/16"

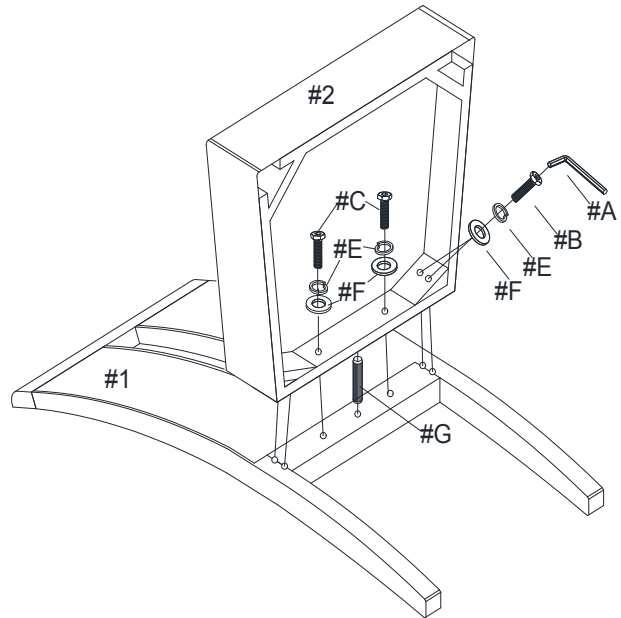
#G 1pc



Wood Dowel

ASSEMBLY INSTRUCTIONS

- 1**
- Part #1 x1pc
 - Part #2 x1pc
 - Hardware #B x4pcs
 - Hardware #C x2pcs
 - Hardware #E x6pcs
 - Hardware #F x6pcs
 - Hardware #G x1pc



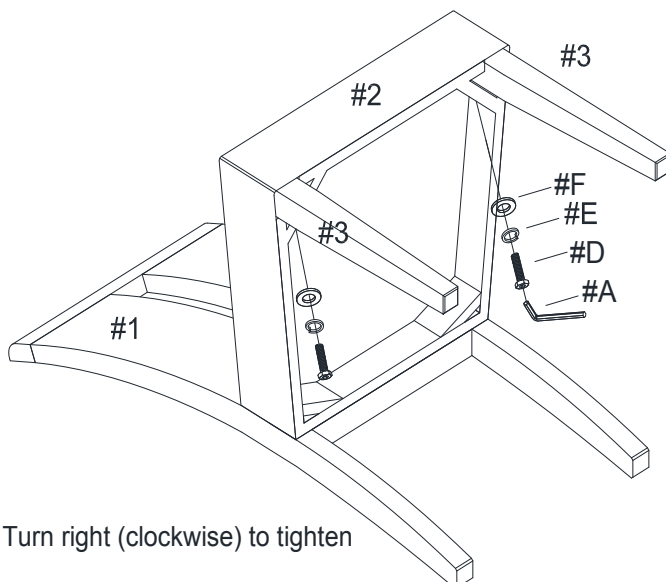
- I. Place the back rest with legs (#1) on a protected surface. Insert the wood dowel (#G) to the center hole of the back rest with legs (#1).
- II. Align the seat cushion (#2) with the wood dowel (#G) and the pre-drilled holes of the back rest with legs (#1).
- III. Prepare 2 bolt assemblies by inserting FIRST the spring washer (#E) onto the bolt (#C) and then the flat washer (#F) onto the SAME bolt (#C), in that order.
- IV. Insert the bolt assembly through the hole between the wood dowel (#G) and the edge of the seat cushion (#2) and secure that bolt using the Allen wrench (#A) to lock it in with the back rest with legs(#1). Repeat for the other side.
- V. Prepare 4 bolt assemblies by inserting FIRST the spring washer (#E) onto the bolt (#B) and then the flat washer (#F) onto the SAME bolt (#B), in that order.
- VI. Insert 2 bolt assemblies through the two pre-drilled holes in the corner of the seat cushion (#2) and secure those bolts using the Allen wrench (#A) to lock it in with the back rest with legs (#1). Repeat for the other side.

Turn right (clockwise) to tighten

2

- Part #3 x2pcs
- Hardware #D x4pcs
- Hardware #E x4pcs
- Hardware #F x4pcs

- I. Insert the 2 legs (#3) to align with the pre-drilled holes of the seat cushion (#2).
- II. Prepare 4 bolt assemblies by inserting FIRST the spring washer (#E) onto the bolt (#D) and then the flat washer (#F) onto the SAME bolt (#D), in that order.
- III. Insert 2 bolt assemblies through the two pre-drilled holes in the corner of the seat cushion (#2) and secure those bolts using the Allen wrench (#A) to lock it in with the leg (#3). Repeat for the other side.
- IV. Carefully turn the completed chair upright. Make sure the chair is rested on a flat surface and it does not feel loose or wobbly. If it does, double check that the bolts are secured and properly tighten.



Turn right (clockwise) to tighten

ASSEMBLY COMPLETED



Please ensure the furniture rests on an even and flat surface. If the product wobbles or feels loose, double-check all bolts and/or screws are properly tightened and secured.



Keep this handy!

Please retain this instruction manual and any order-related information for future reference.



Lift, don't drag!

To avoid damage to product please always LIFT the product when transporting or adjusting the placement.