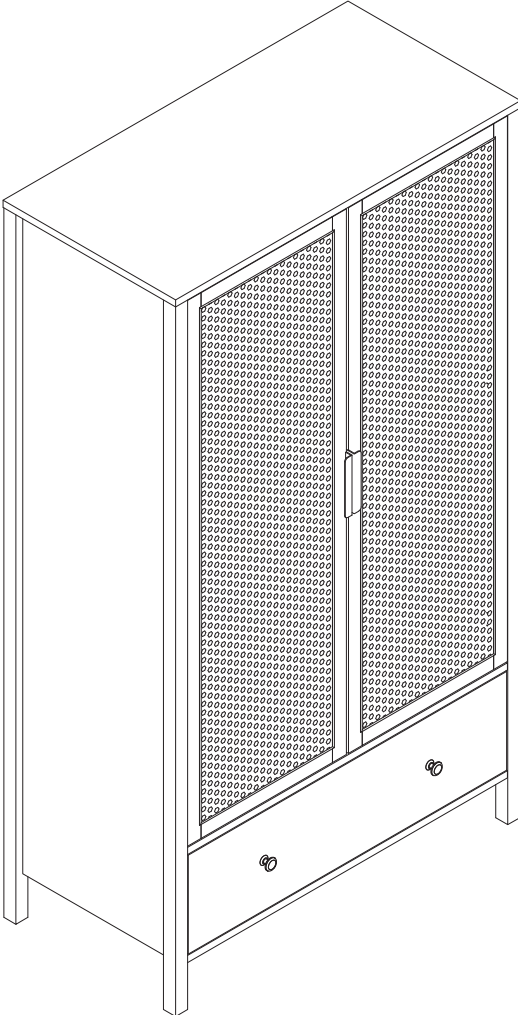


Instruction Manual



CONTENTS

Safety and care advice	1
Components – parts	2
Components – fittings	3
Assembly instructions	4
Copyright	15



SAFETY AND CARE ADVICE



PLEASE READ THESE INSTRUCTIONS CAREFULLY AND KEEP FOR FUTURE REFERENCE

Warning: This unit weighs approximately 60kg. Please lift with care.

- Check you have all the components and tools listed on pages 2 and 3.
- Remove all fittings from the plastic bags and separate them into their groups.
- Keep children and animals away from the work area, small parts could choke if swallowed.
- Make sure you have enough space to layout the parts before starting.
- Do not stand or put weight on the product, this could cause damage.
- Assemble the item as close to its final position (in the same room) as possible.

·Assemble on a soft level surface to avoid damaging the unit or your floor (use opened out unit carton).



·We do not recommend the use of power drill/drivers **for inserting screws**, as this could damage the unit. Only use hand screwdrivers.

·**Safety note:** If there is any chance of this unit being pulled over by children etc. it is recommended that the unit is secured to a wall using suitable fixings .

·Dispose of all packaging carefully and responsibly.

CARE AND MAINTENANCE

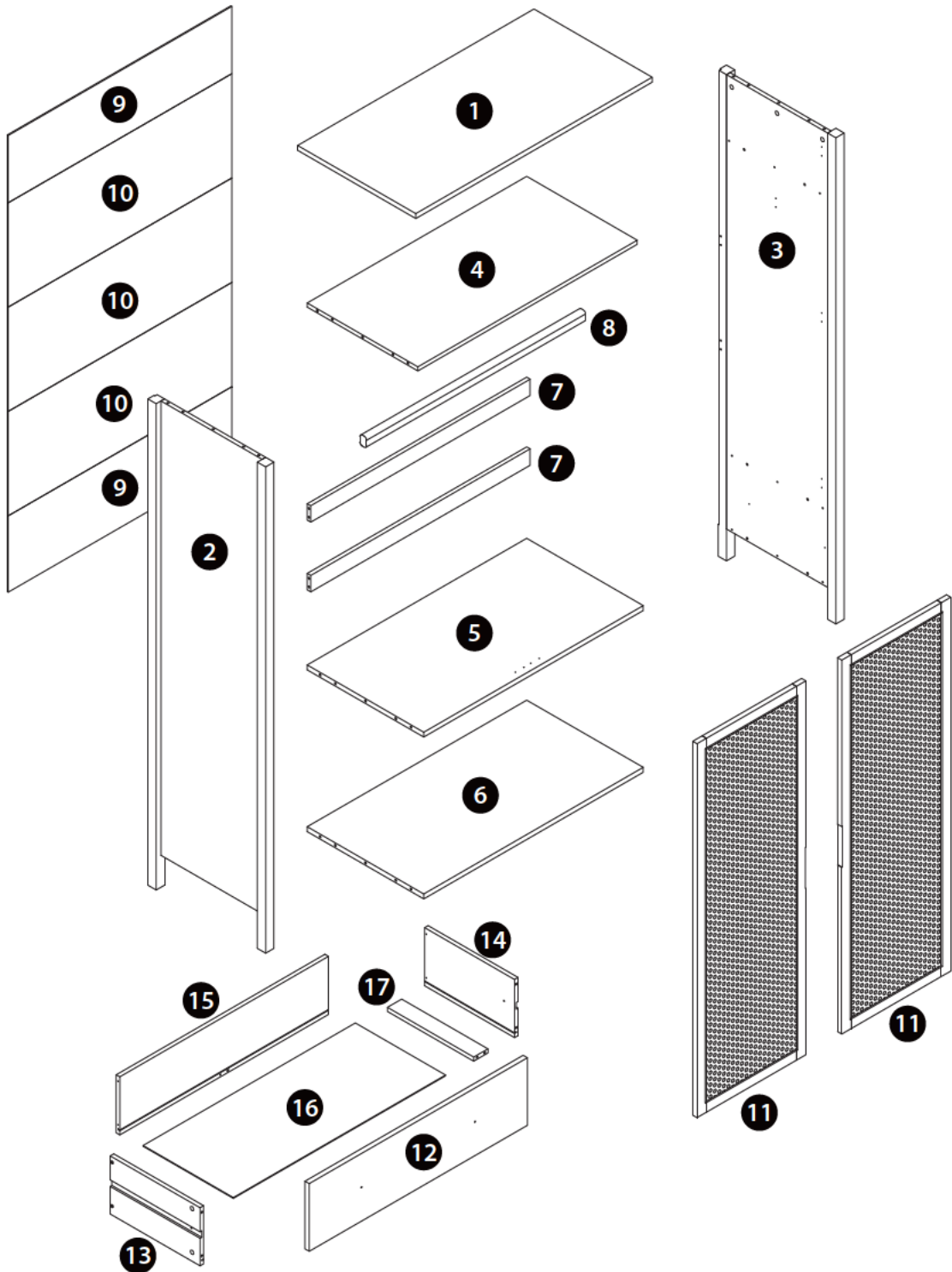
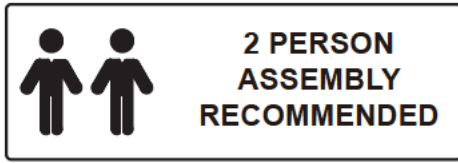
- Only clean using a damp cloth and mild detergent, do not use bleach or abrasive cleaners.
- From time to time check that there are no loose screws on this unit.

·This product should not be discarded with household waste. Take to your local authority waste disposal center.

Note: *If required the next page can be cut out and used as reference throughout the assembly. Keep this page with these instructions for future reference*

COMPONENTS — PARTS

Please check you have all the parts listed below:



COMPONENTS — PARTS LIST

PARTS LIST

1 Top Panel	x1	11 Door	x2
2 Left Side Panel	x1	12 Drawer Front Panel	x1
3 Right Side Panel	x1	13 Drawer Left Side	x1
4 Top Shelf	x1	14 Drawer Right Side	x1
5 Bottom Shelf	x1	15 Drawer Back Panel	x1
6 Bottom Panel	x1	16 Drawer Bottom Panel	x1
7 Rail	x2	17 Drawer Base Rail	x1
8 Hanger	x1		
9 Small Back Panel	x2		
10 Large Back Panel	x3		



COMPONENTS — FITTINGS

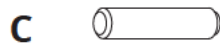
Please check you have all the fittings listed below:



Metal Dowel x 38



Lock (Ø 15x10mm) x 38



Wooden Dowel (Ø 8x30mm) x 16



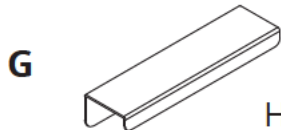
Screw (Ø 3.5x30mm) x 4



Screw (Ø 3.5x12mm) x 106



Metal Slide -Screw x 2



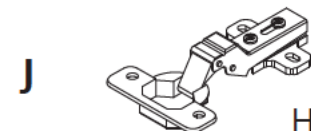
Handle x 2



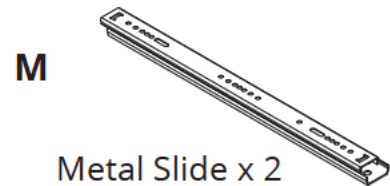
Handle x 2



Handle-Screw x 2



Hinge x 6



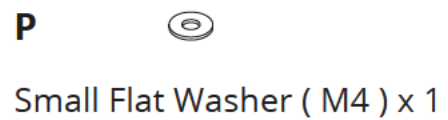
Metal Slide x 2



Hanger Bracket x 2



Foot Pad x 4



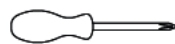
Small Flat Washer (M4) x 1



Anti Tip Strap x 2



TOOLS NEEDED
(We don't provide)



Phillips Screwdriver x 1

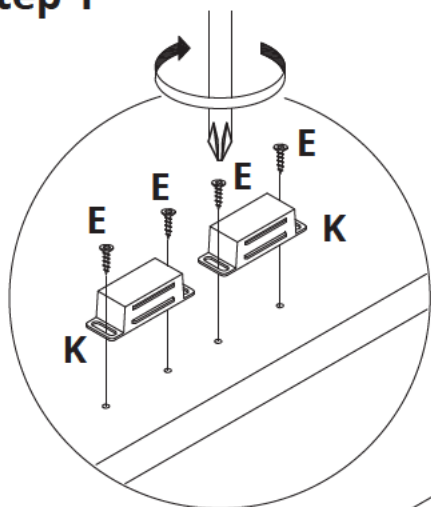


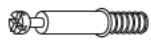




Flat head Screwdriver x 1

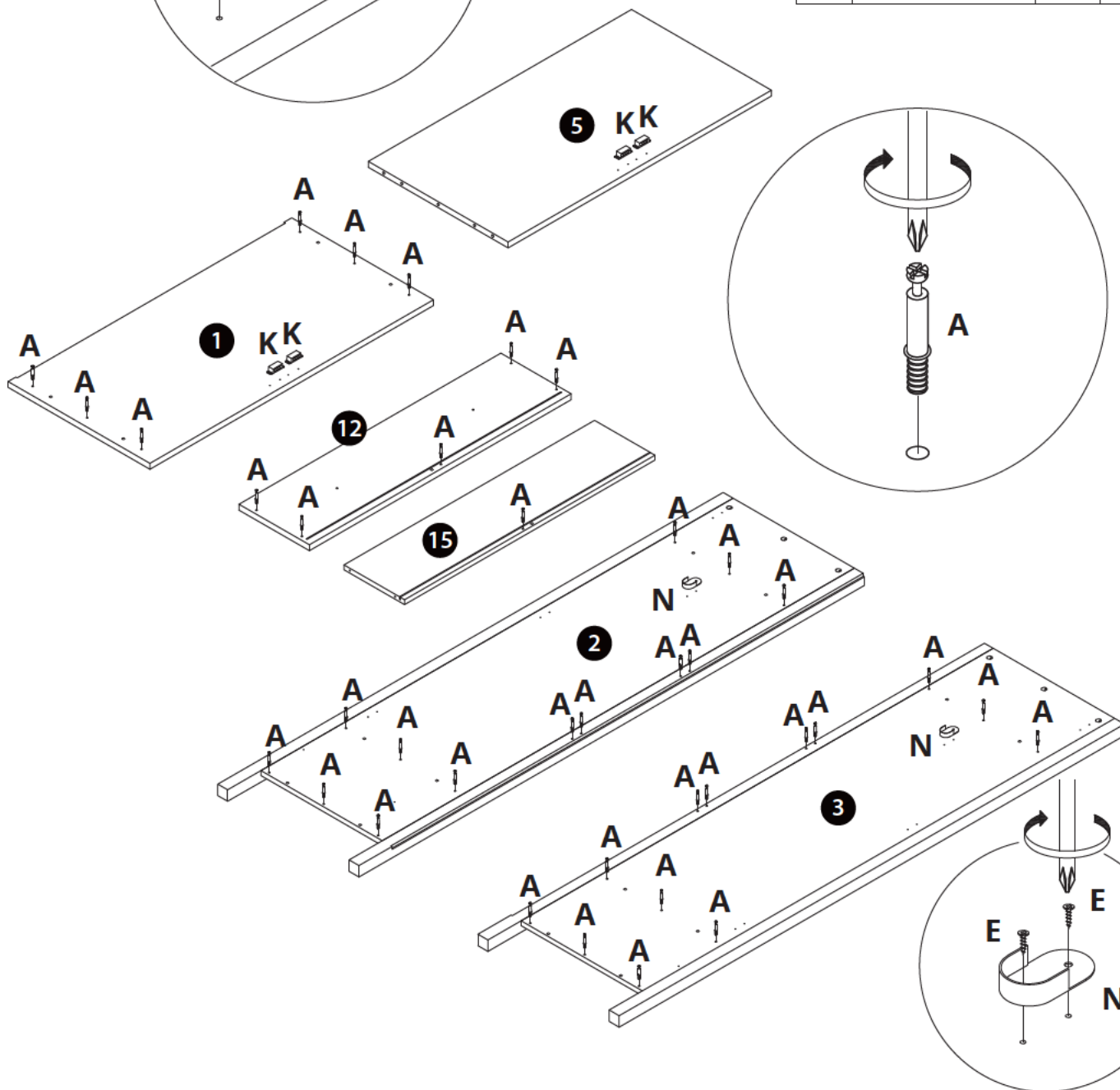


ASSEMBLY INSTRUCTIONS

Step 1







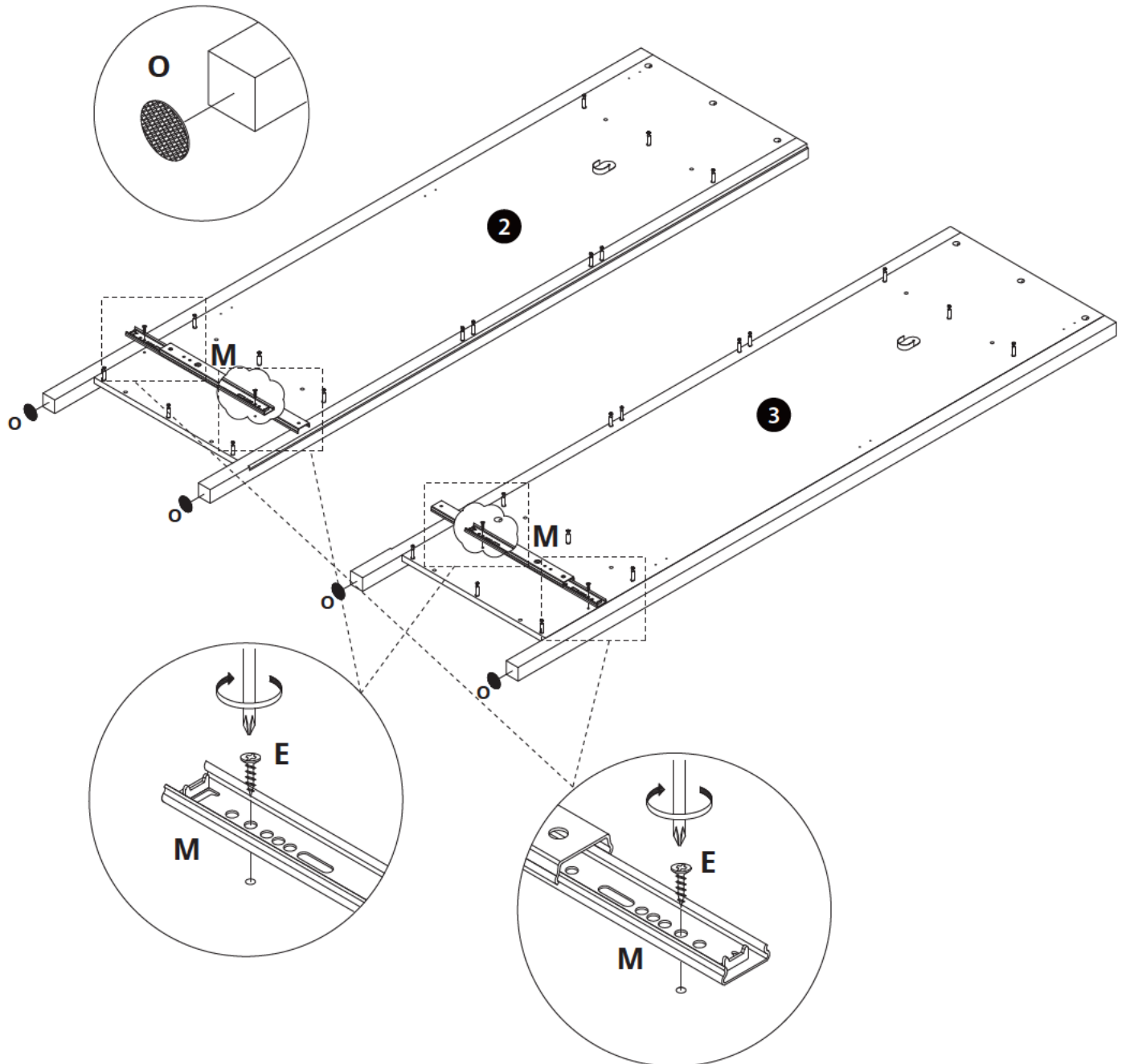
A		38	
E		12	
K		4	
N		2	



ASSEMBLY INSTRUCTIONS

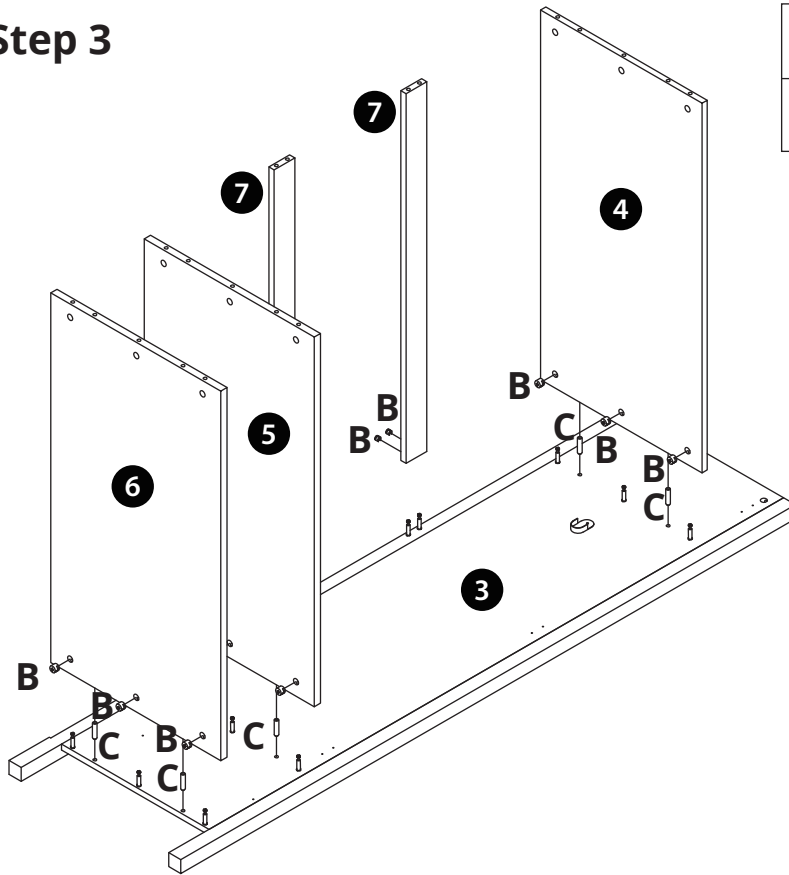
Step 2




E		4	
M		2	
O		4	

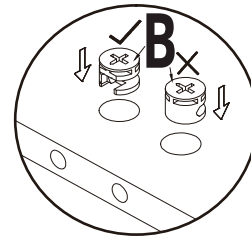
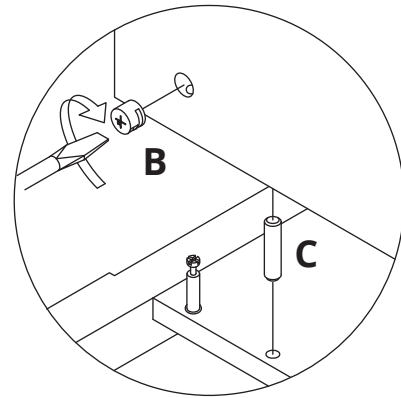


ASSEMBLY INSTRUCTIONS

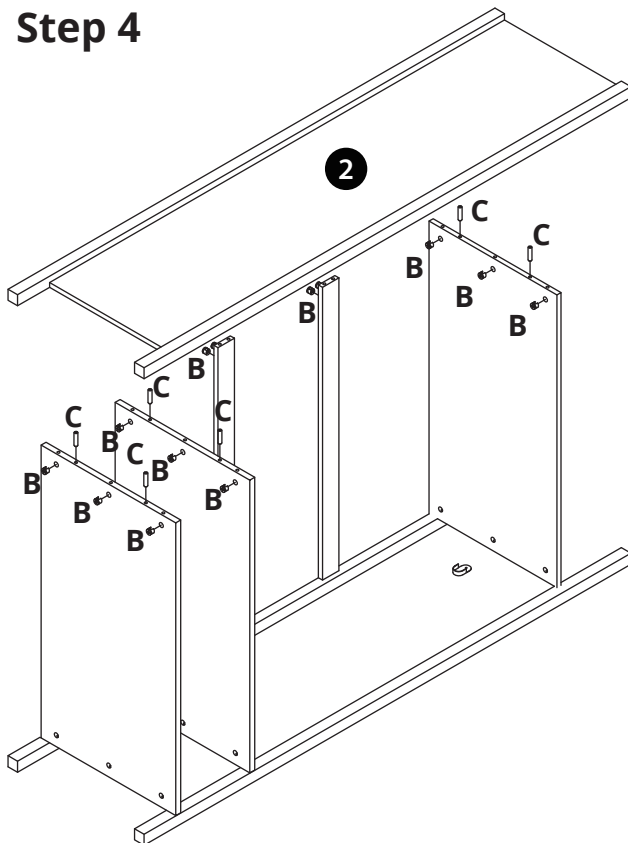
Step 3



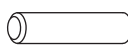


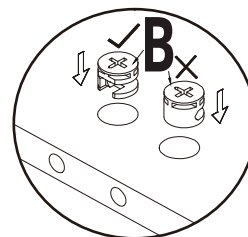
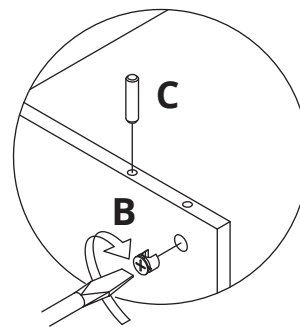
B		13	
C		6	



Step 4

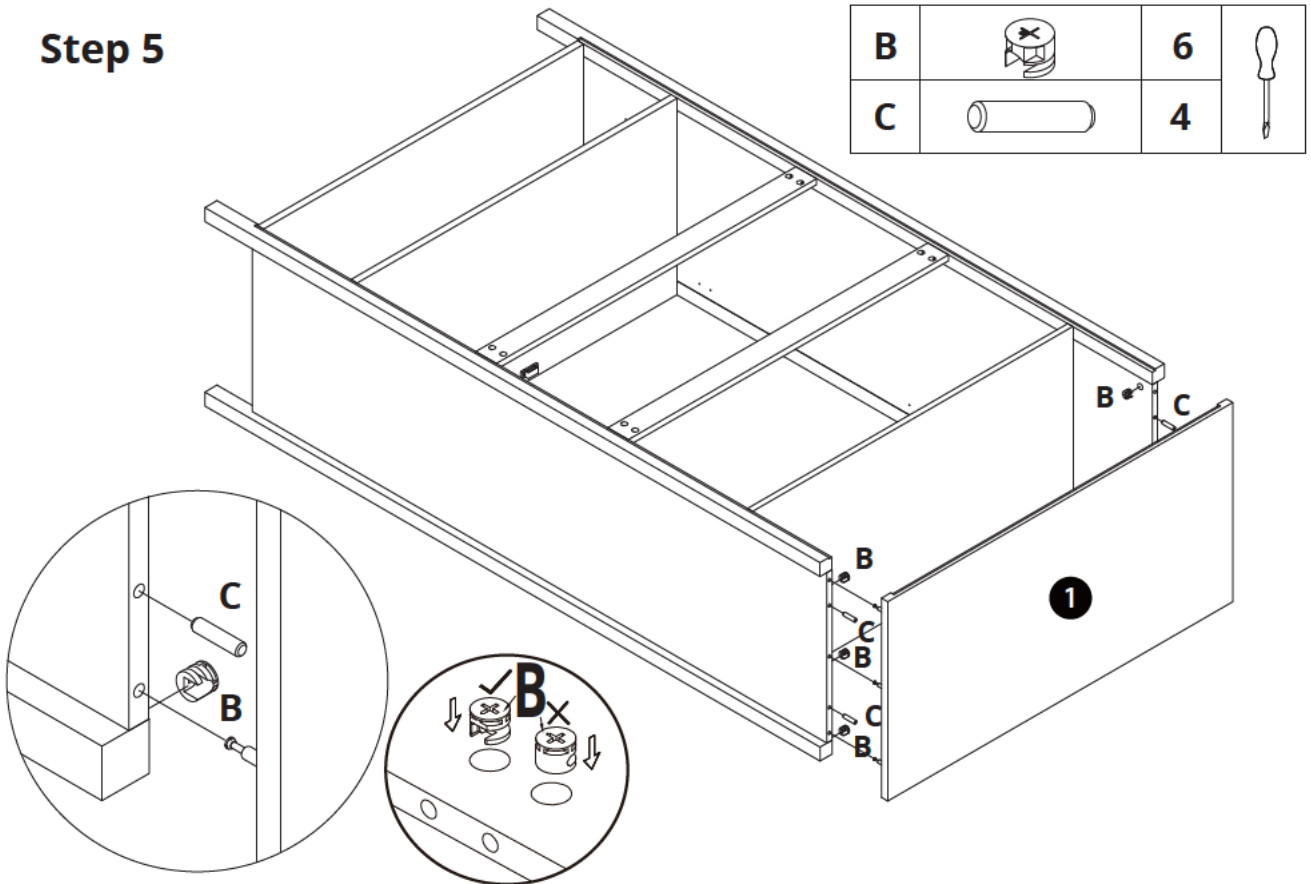





B		13	
C		6	



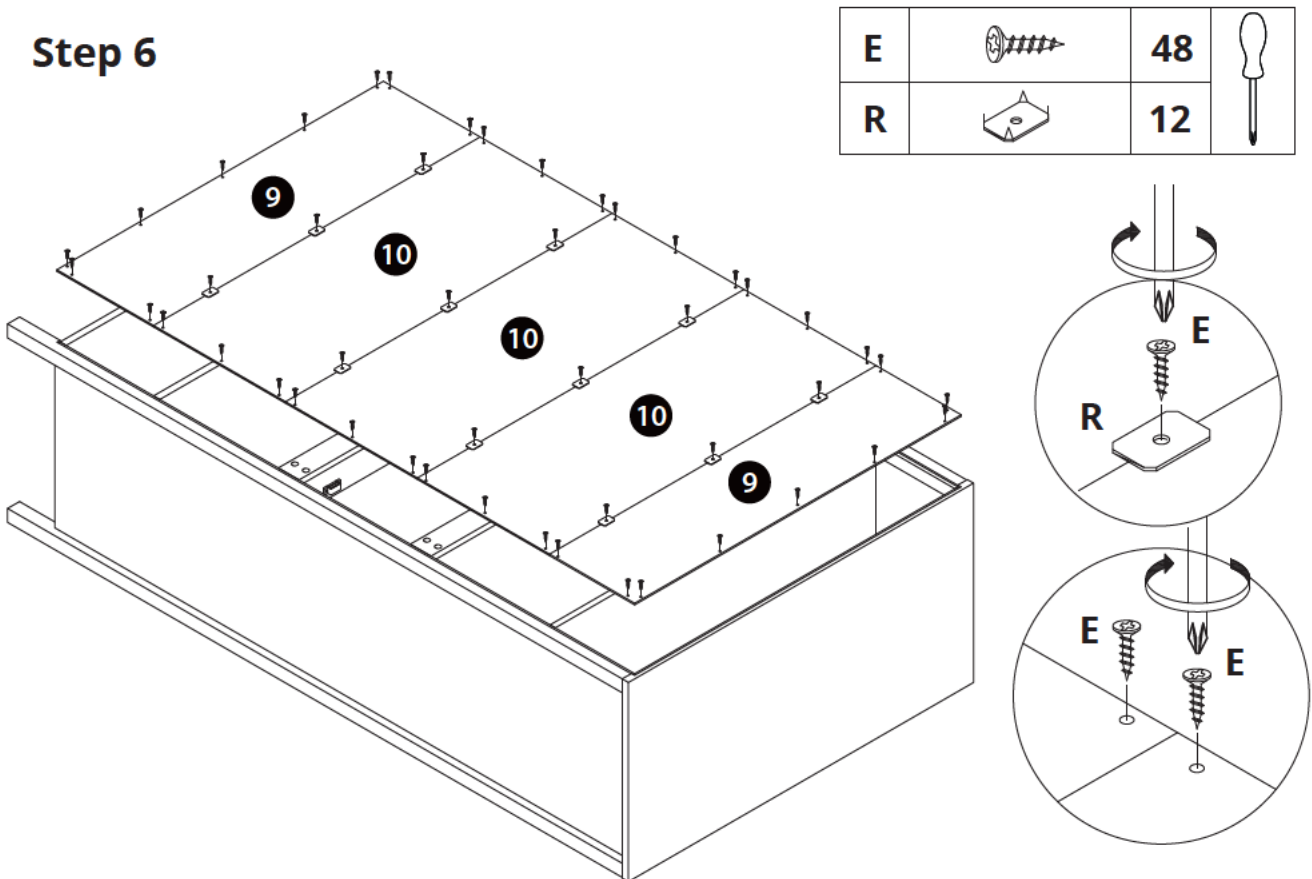
ASSEMBLY INSTRUCTIONS




Step 5



B		6	
C		4	

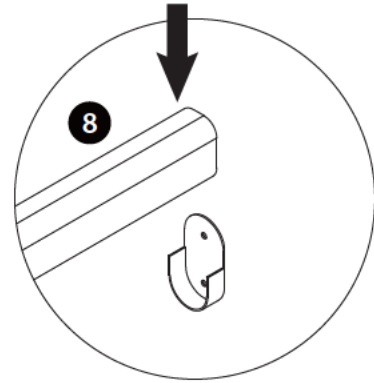
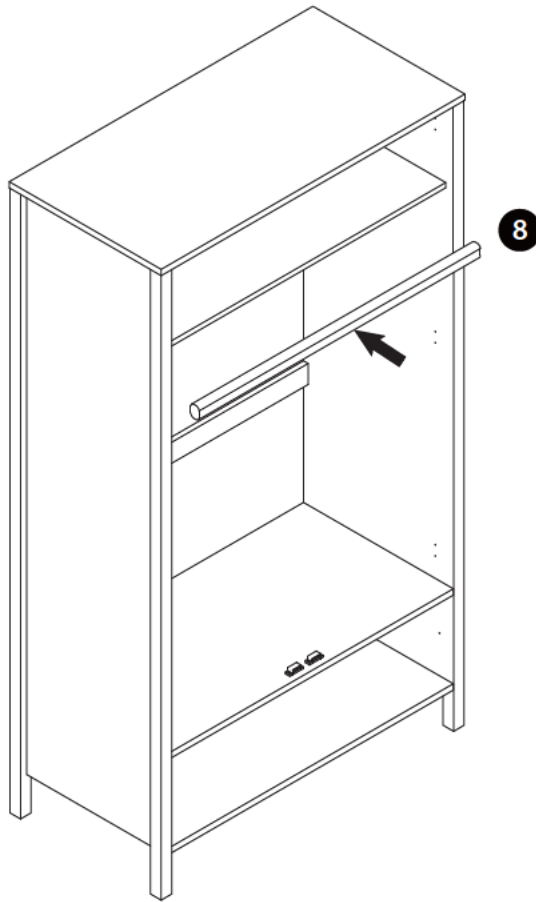
Step 6



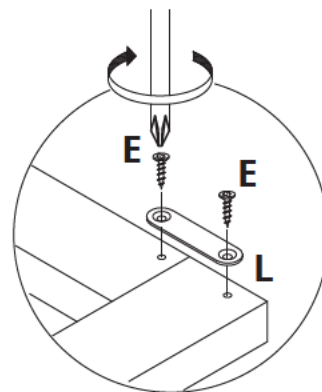
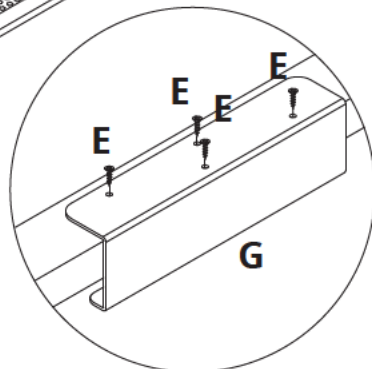
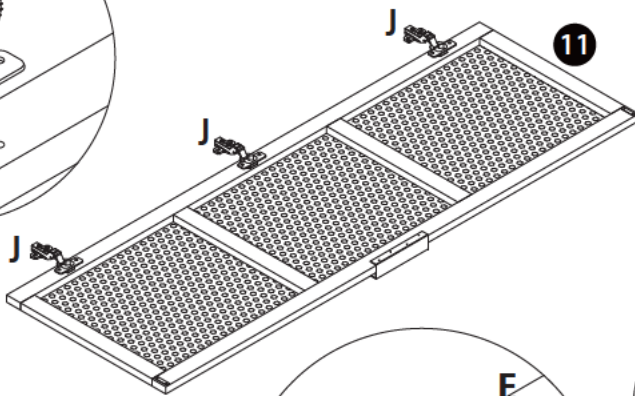
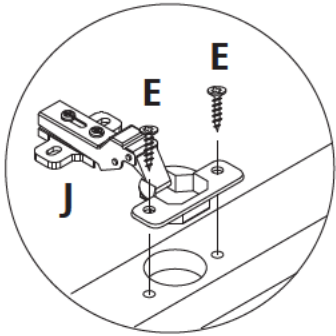
E		48	
R		12	

ASSEMBLY INSTRUCTIONS

Step 7



Step 8





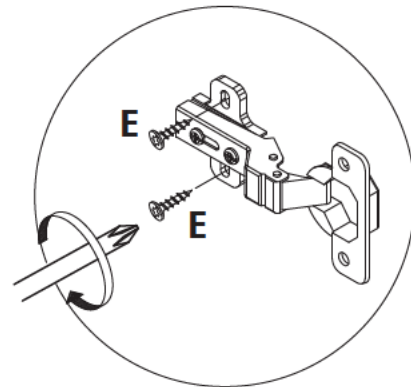
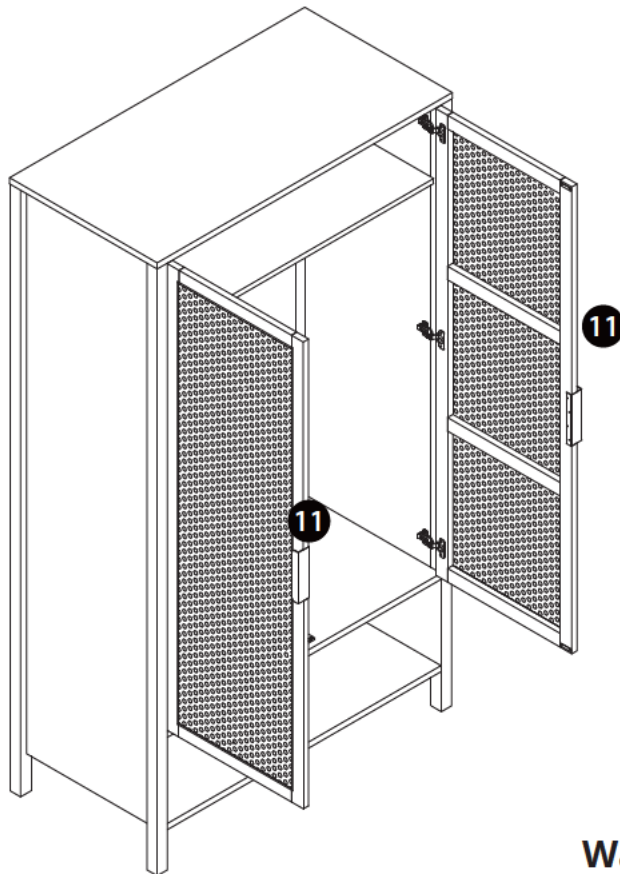
E		28	
G		2	
J		6	
L		4	

x2

ASSEMBLY INSTRUCTIONS

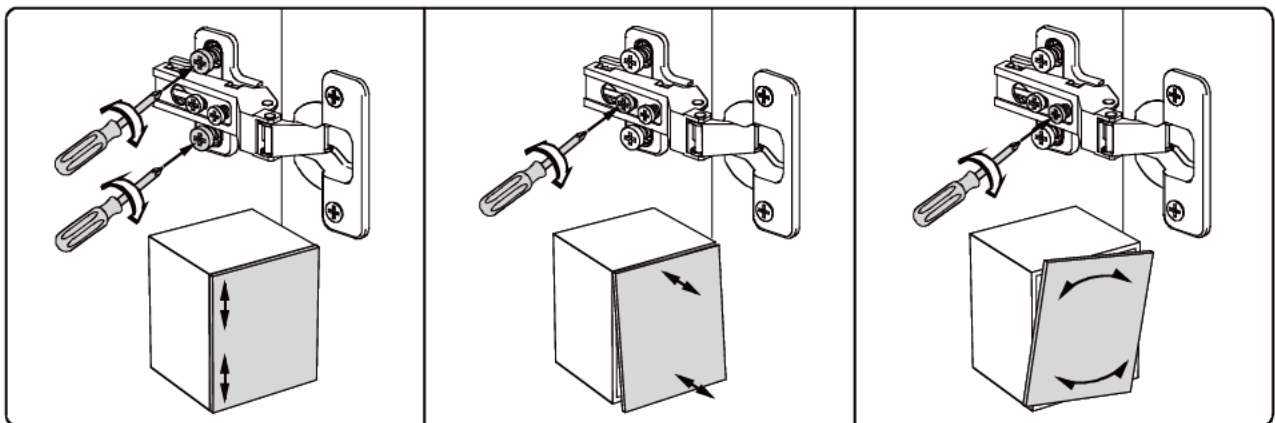
Step 9

E		12	
---	---	----	---









Warning!

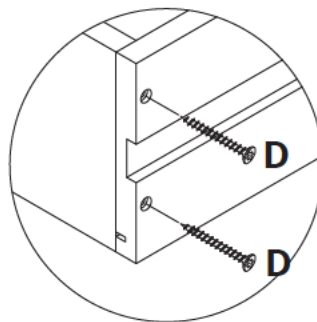
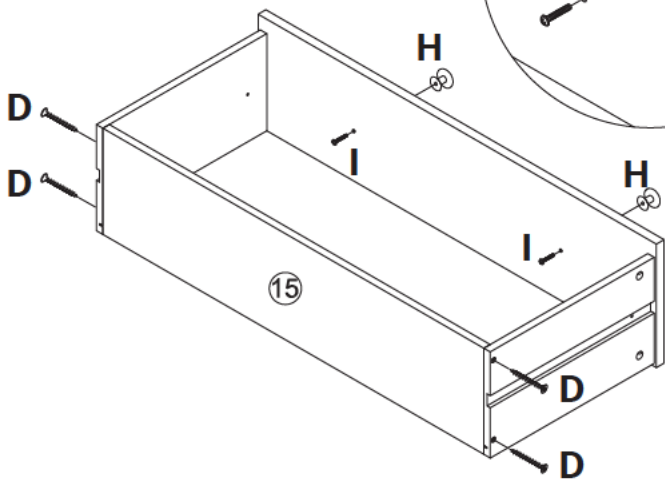
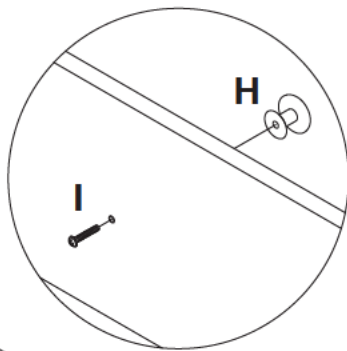
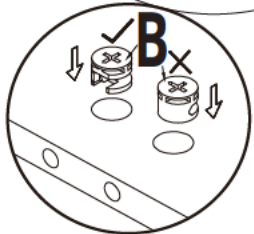
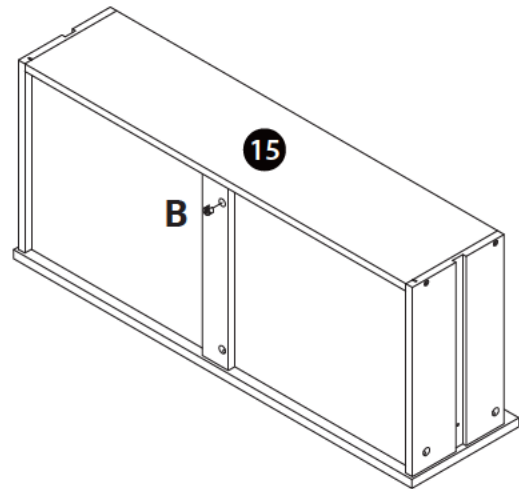
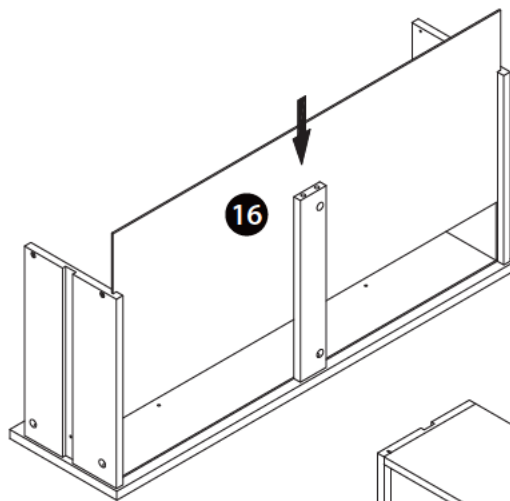
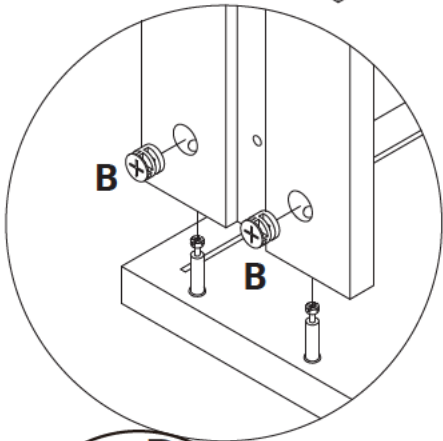
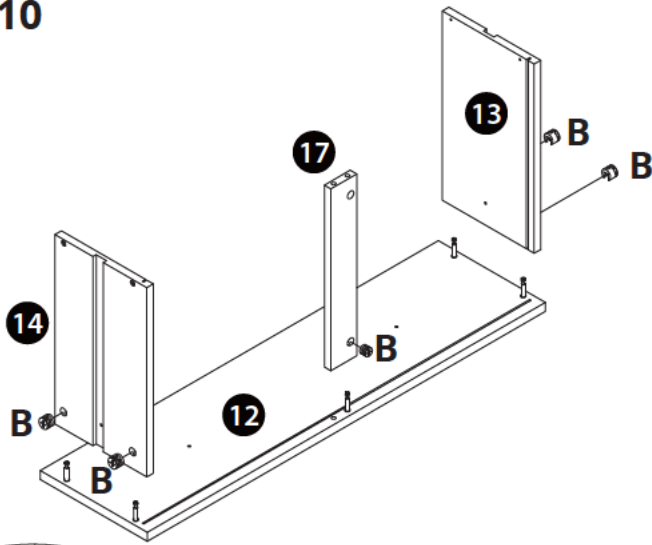
If door does not open when pushed in it could be because the push-to-open mechanism needs adjustment. Simply turn the magnetic end of the mechanism to screw it out further so that it makes better contact with the metal strike plate.



ASSEMBLY INSTRUCTIONS

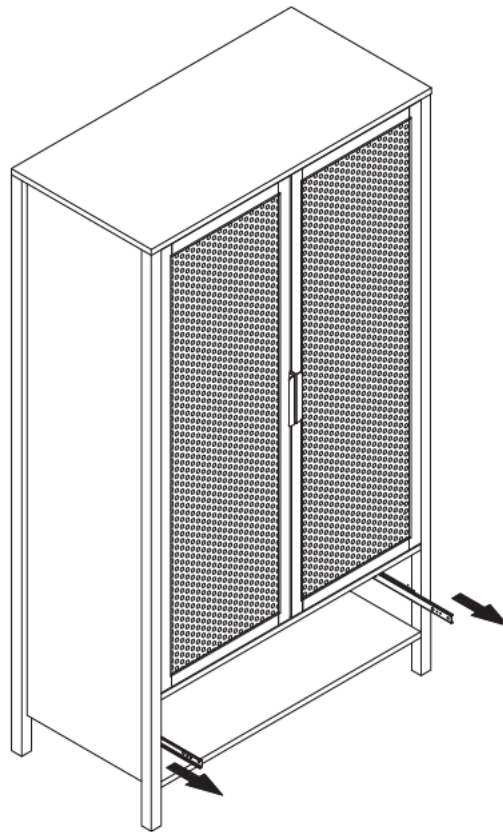
Step 10

B		6	
D		4	
H		2	
I		2	

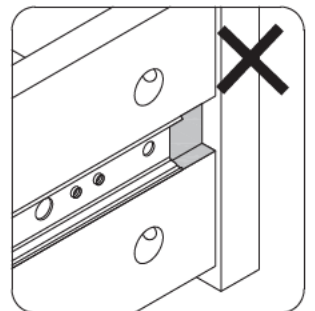
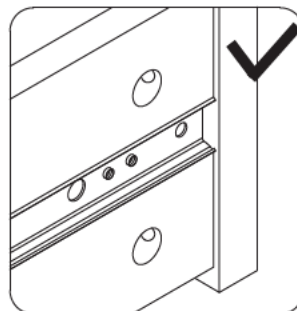
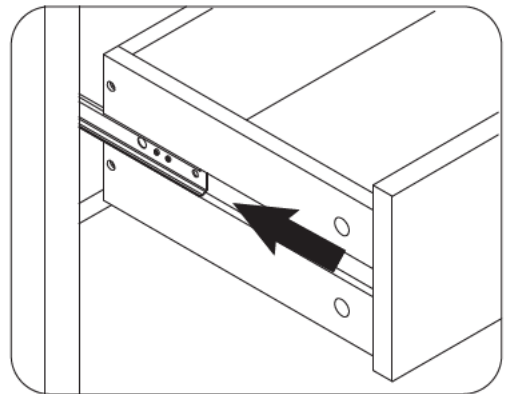
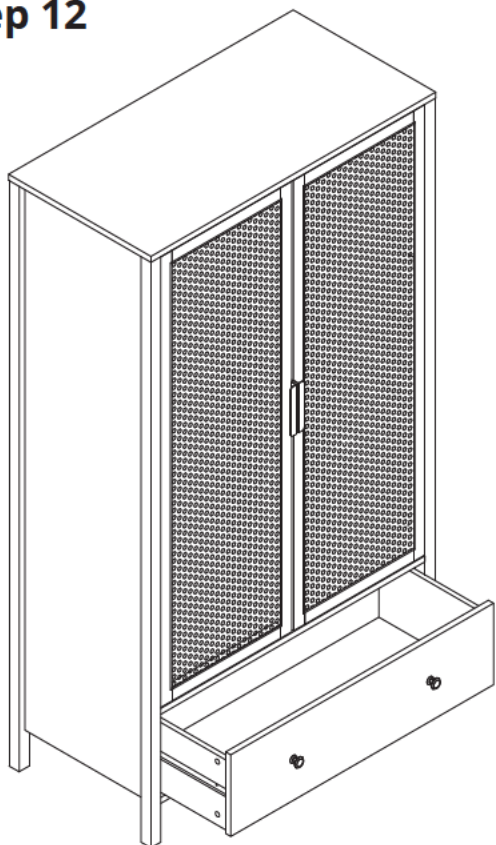


ASSEMBLY INSTRUCTIONS

Step 11

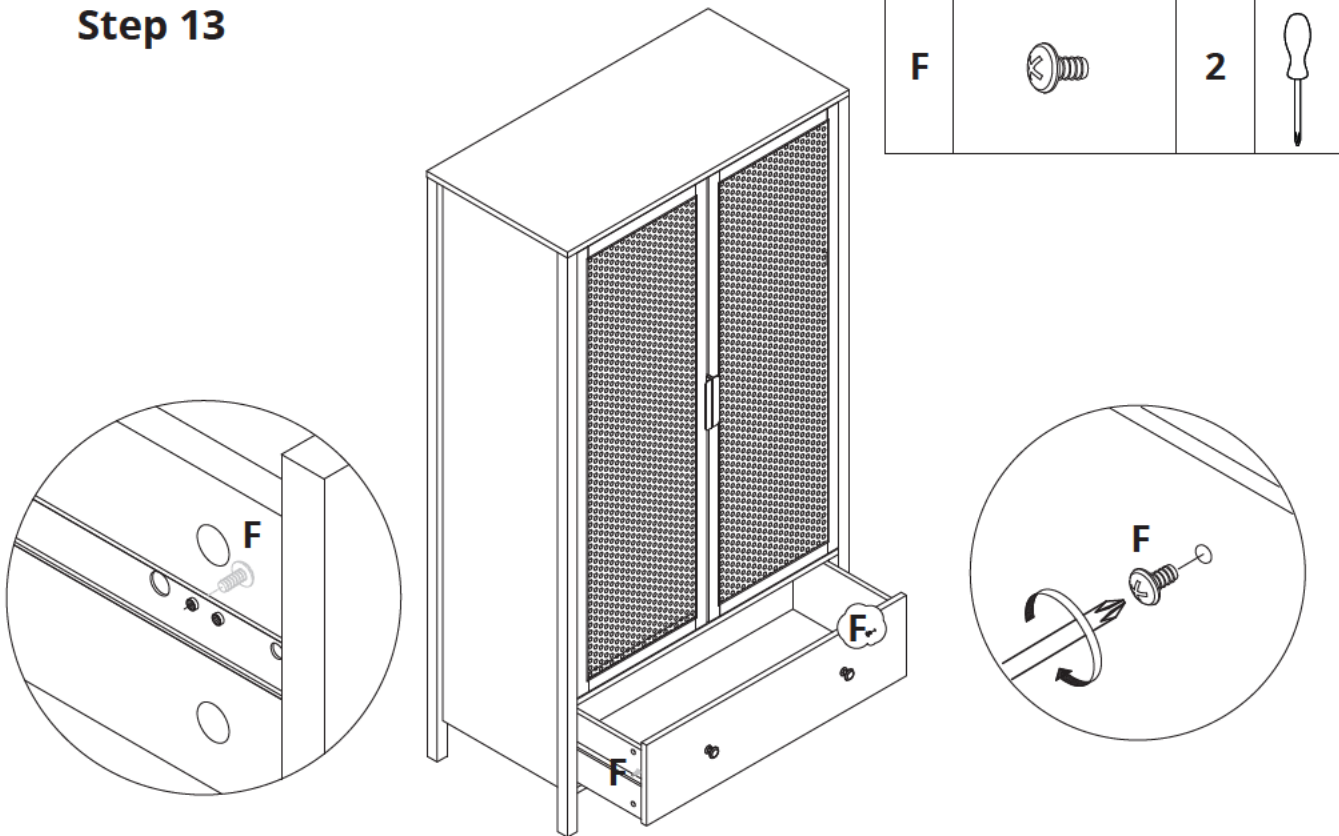


Step 12

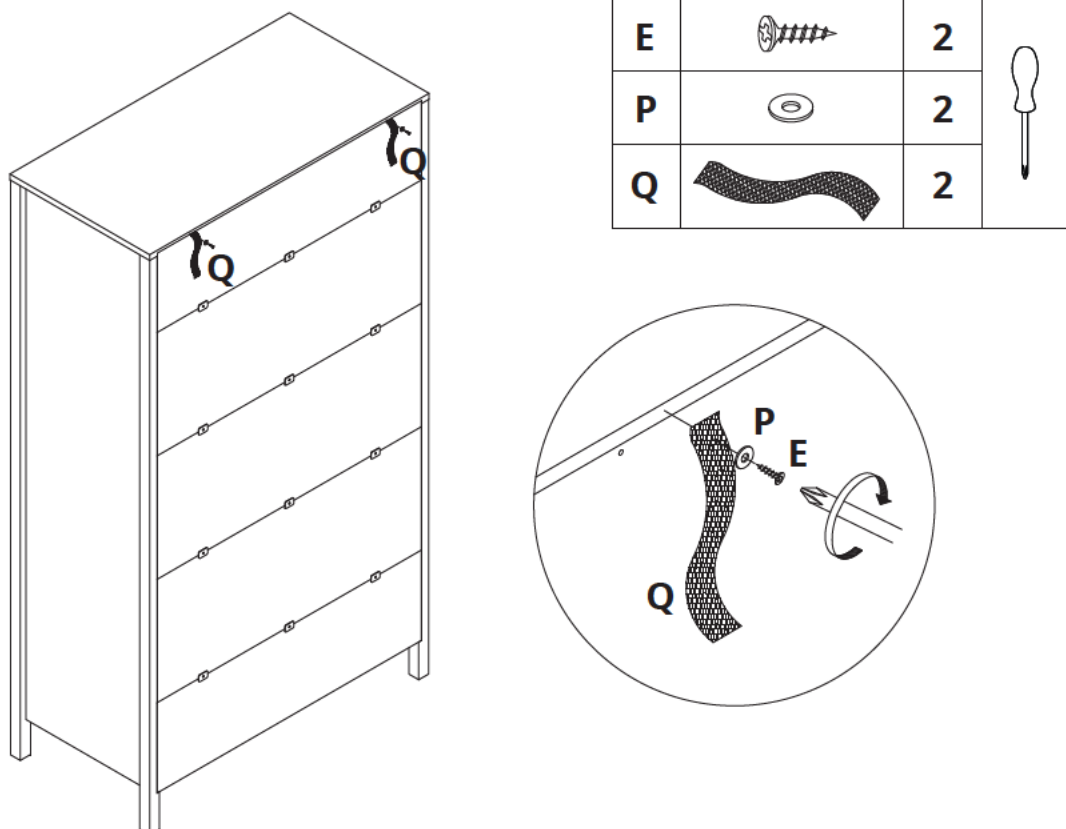


ASSEMBLY INSTRUCTIONS

Step 13

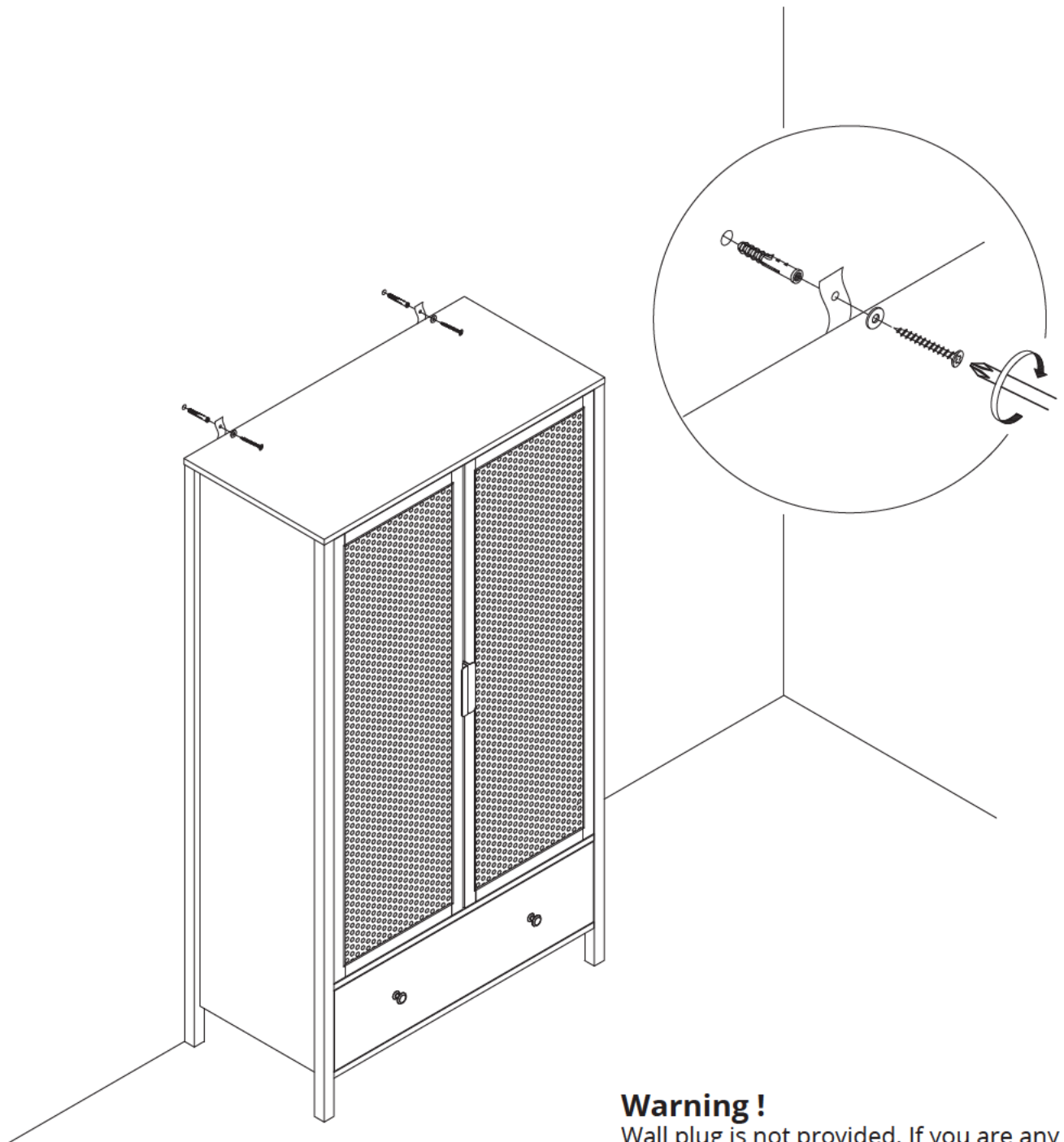


Step 14



ASSEMBLY INSTRUCTIONS

Step 15



Warning !

Wall plug is not provided. If you are any doubt about the correct wall plugs for your wall, seek the professional advice.

Congratulations! Now you have finished assembling the product.
