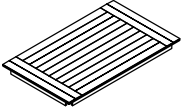
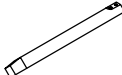






ASSEMBLY INSTRUCTIONS

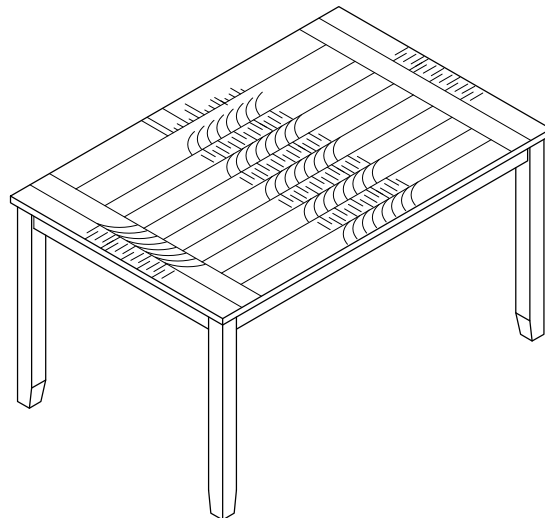
7 PIECE DINING SET

7 PIECE DINING TABLE PART LIST

PART	DRAWING	DESCRIPTION	QTY
A		TABLE TOP	1
B		TABLE LEGS	4

PART	DRAWING	DESCRIPTION	QTY
H1		BOLT (Ø5/16" * 2-1/8")	8
H2		SPRING WASHER (Ø5/16")	8
H3		FLAT WASHER (Ø5/16")	8
H4		ALLEN KEY (M4)	1

NOTE: If needed, only part H1 - H4 are available for replacement.



COMPLETED 7 PIECE DINING TABLE ASSEMBLY

PLEASE NOTE: With use, screw may become loose & must be tightened periodically.

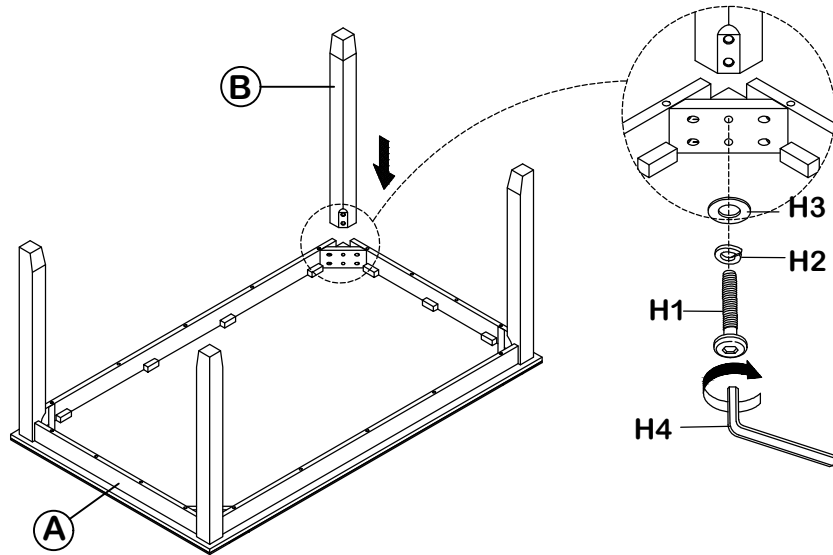


ASSEMBLY INSTRUCTIONS

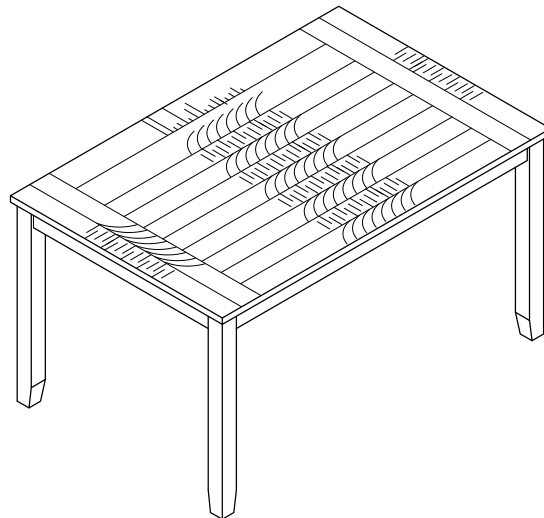
7 PIECE DINING SET

STEP 1

“Please lay the Table top on a soft, clean surface” to assemble



COMPLETED ASSEMBLY

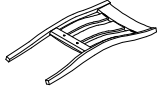
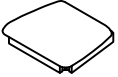
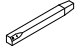









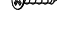
PLEASE NOTE: With use, screw may become loose & must be tightened periodically.

ASSEMBLY INSTRUCTIONS

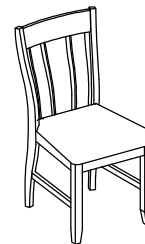
7 PIECE DINING SET

5046-54 7 PIECE DINING CHAIR PART LIST

PART	DRAWING	DESCRIPTION	QTY
A		CHAIR BACK	1
B		CUSHION SEAT	1
C		FRONT LEGS (L/R)	2
D		SIDE STRETCHER (L/R)	2

PART	DRAWING	DESCRIPTION	QTY
H1		SHORT BOLT (Ø1/4" * 1-1/2")	2
H2		MEDIUM BOLT (Ø1/4" * 2-3/8")	4
H3		LONG BOLT (Ø1/4" * 3")	4
H4		SPRING WASHER (Ø1/4")	10
H5		FLAT WASHER (Ø1/4")	10
H6		ALLEN KEY (M4)	1
H7		SCREW (#4 * 1-1/2")	4

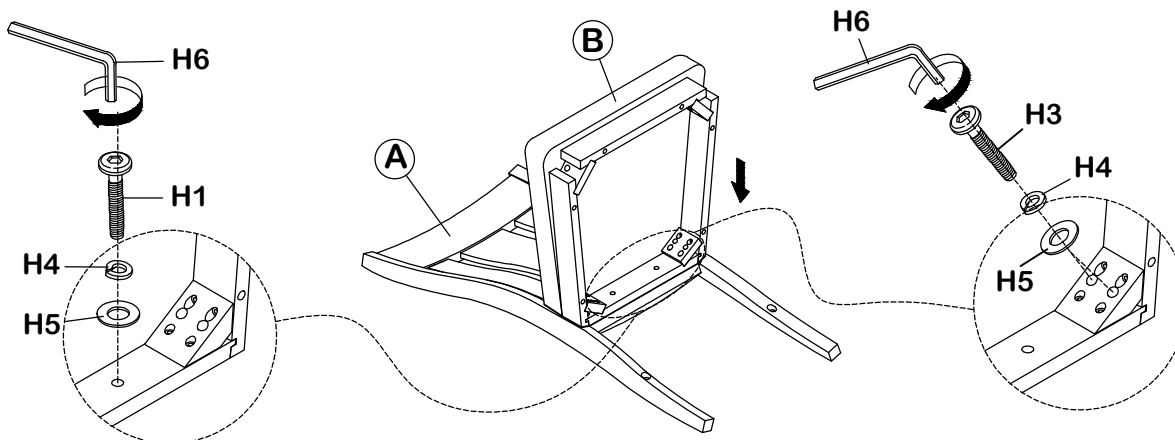
NOTE: If needed, only part replacement. C-D and H1-H7 are available for.



COMPLETED 7 PIECE DINING CHAIR ASSEMBLY

STEP 1

"Please lay the chair back on a soft, clean surface" to assemble

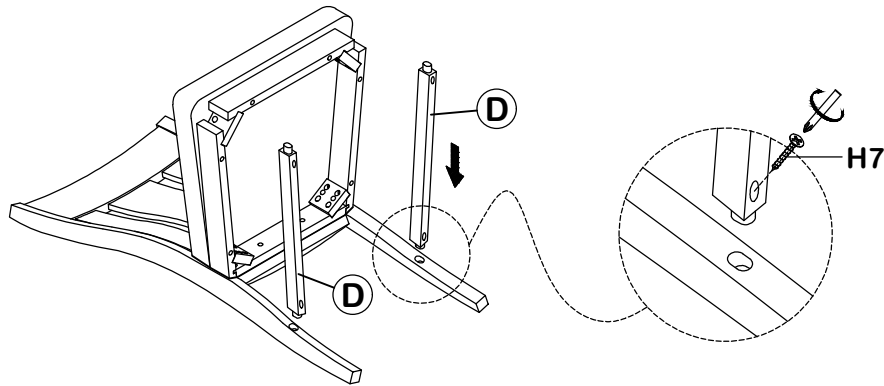


PLEASE NOTE: With use, screw may become loose & must be tightened periodically.

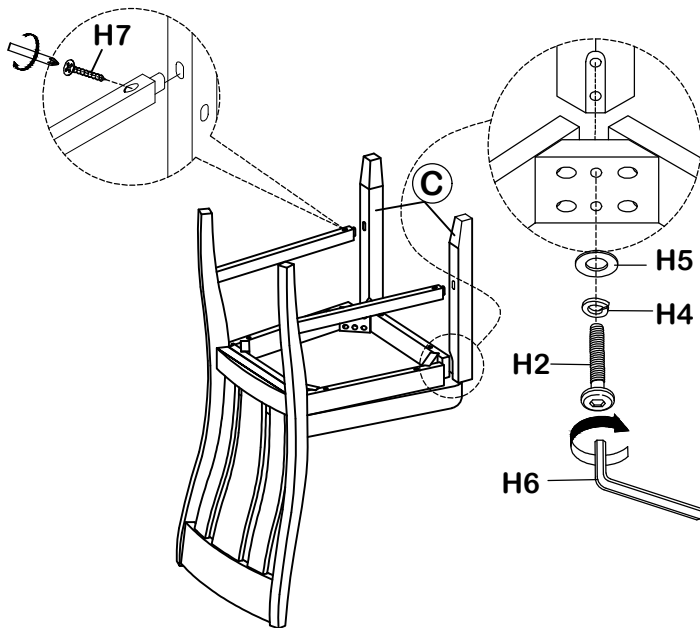
ASSEMBLY INSTRUCTIONS

7 PIECE DINING SET

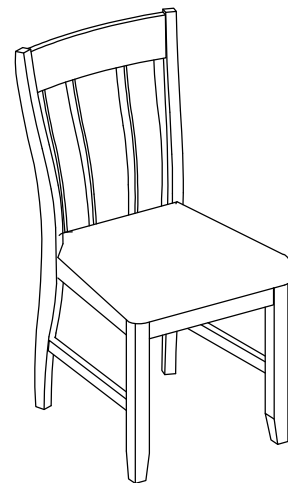
STEP 2 "Please lay the chair back on a soft, clean surface" to assemble



STEP 3



COMPLETED ASSEMBLY



PLEASE NOTE: With use, screw may become loose & must be tightened periodically.