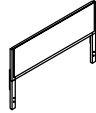
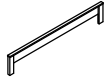

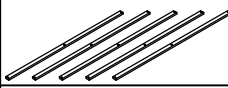
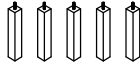
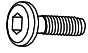






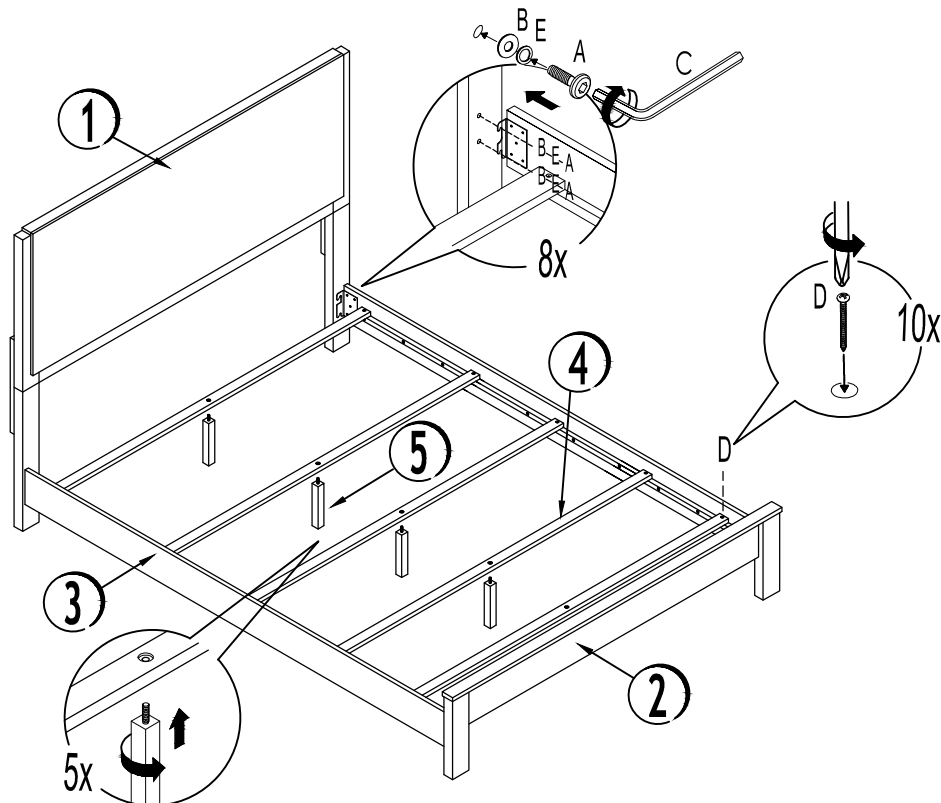
ASSEMBLY INSTRUCTIONS

QUEEN PANEL FOOTBOARD

Thank you for purchasing this quality product. Be sure to check all packing materials carefully for small parts, which may have come loose inside the carton during shipment. Identify and count all items and compare with the parts list and/or hardware list shown below.

PART LIST			
NO	DESCRIPTION	SKETCH	QTY
1	HEADBOARD		1 PC
2	FOOTBOARD		1 PC
3	SIDE RAIL		2 PCS
4	SLAT		5 PCS
5	VERTICAL LEG		5 PCS

HARDWARE LIST			
NO	DESCRIPTION	SKETCH	QTY
A	JCBB BOLT - M8 x 20mm		8 PCS
B	FLAT WASHER - M8 x 18mm		8 PCS
C	ALLEN KEY - M5		1 PC
D	PANHEAD - M4 x 32mm		10 PCS
E	SPRING WASHER - M8		8 PCS



IMPORTANT NOTE :

- * Place all wooden parts on a clean and smooth surface such as a rug or carpet to avoid the parts from being scratched.
- * Check to be sure that you have all parts and hardware.
- * Remove all wrapping materials, including staples & packing straps before you start to assemble.
- * Do not tighten all screws/bolts until all completely assembled.
- * Keep all hardware parts out of reach of children.