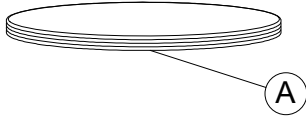


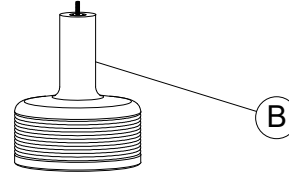
COFFEE TABLE ASSEMBLY INSTRUCTIONS

PARTS PACKING CONFIGURATIONS

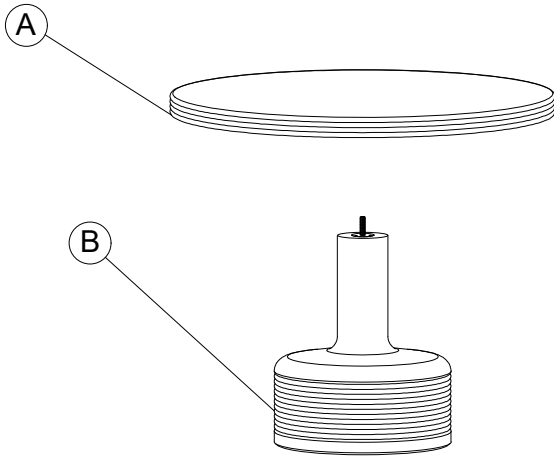
BOX # 1
A. TABLE TOP 1PC



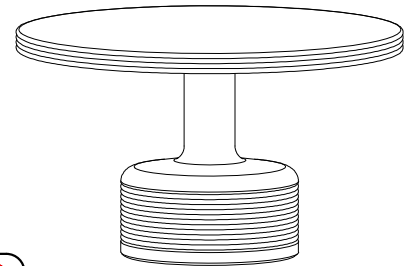
BOX # 2
B. BASE 1PC



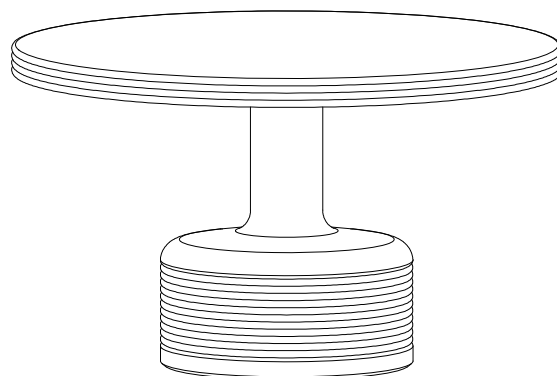
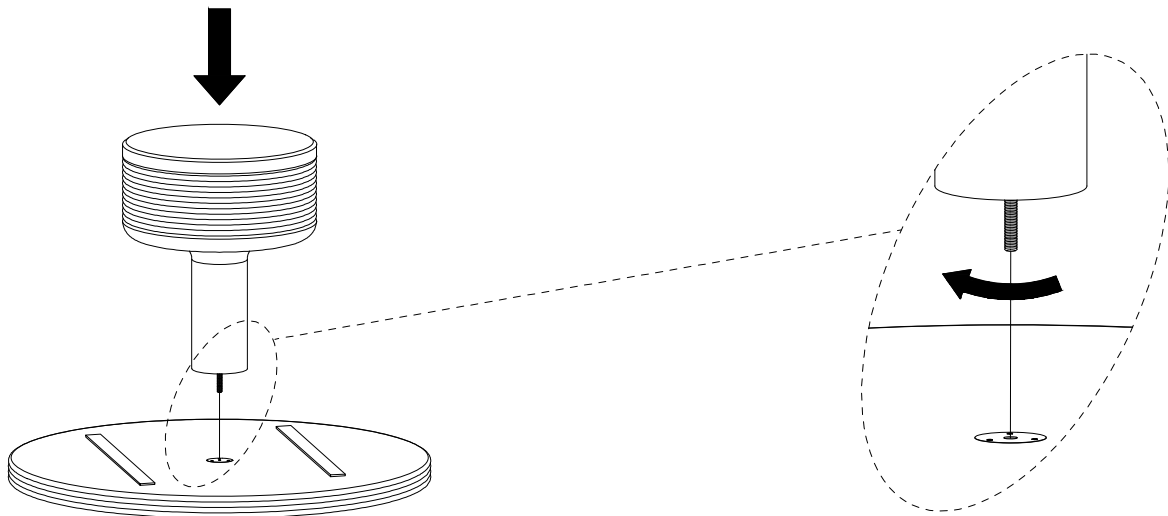
STEP 1:



FULLY ASSEMBLED



STEP 2:



ASSEMBLY COMPLETE