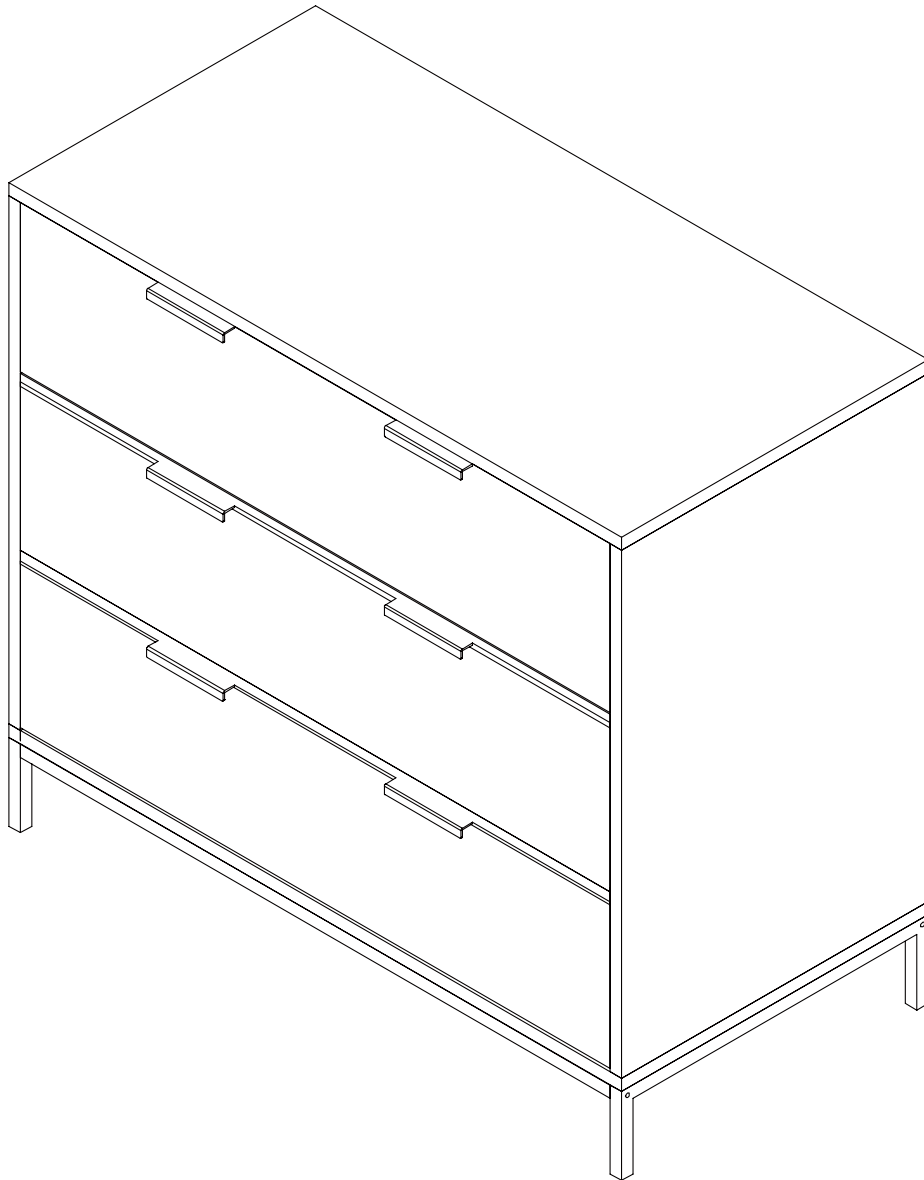


3 Drawers Storage Dresser Chest



ASSEMBLY AND CARE GUIDE

1 HOUR
ASSEMBLY TIME

2 PEOPLE
REQUIRED FOR ASSEMBLY

2 x 1 m
FLOOR SPACE REQUIRED

SAFETY PRECAUTIONS

PLEASE READ ALL INSTRUCTIONS CAREFULLY BEFORE ASSEMBLING AND USING THE PRODUCT.

1. Please check that all parts are present before you start the assembly of your furniture. A **Philips head screwdriver (not included)** is required for the assembly of this product.
2. For ease and speed of assembly, we recommend that before you commence each step of the assembly, that you identify all the parts required for that step.
3. For larger items, please ensure that you have sufficient space and people to assemble your product safely.
4. We recommend that, where possible, all items are assembled near to the area in which they will be placed in use, to avoid moving the product unnecessarily once assembled.
5. For the protection of your furniture, we recommend that the product is placed on a protected surface during assembly to prevent any damage.
6. During assembly, Do not tighten bolts / screws completely until all bolts / screws are lined up and inserted into holes, Do not over tighten screws and bolts to avoid stripping, Do not use power tools
7. Always place the product on a flat, steady and stable surface.
8. Do not stand on the product. Do not use the product as a stepladder.
9. This product is intended for indoor, household use only as it is a non industrial product.

CARE AND CLEANING

- Please periodically check all fittings and re-tighten as necessary.
- To clean your item, please use a damp cloth and wipe clean.
- Never allow any kind of liquid to remain on your furniture. If liquid spills onto the product, please wipe clean as soon as possible.



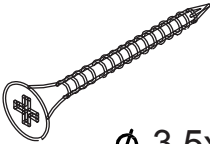
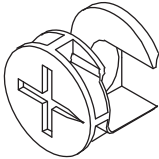
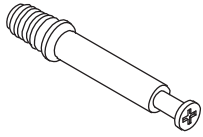
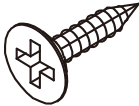
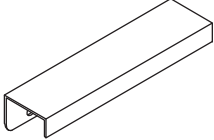
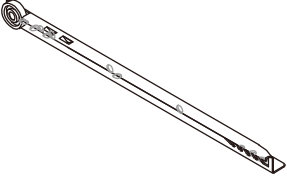
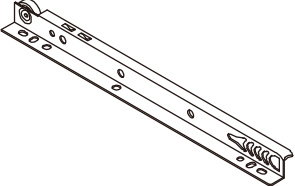
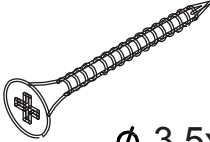
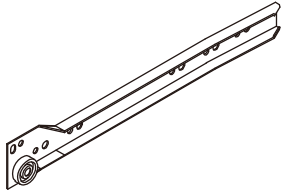
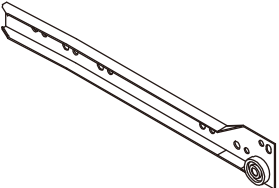
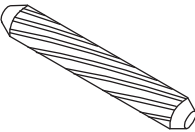
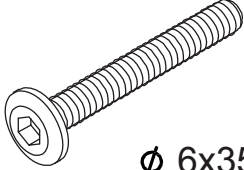
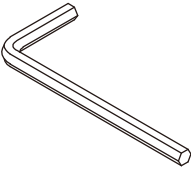
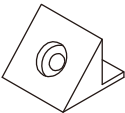
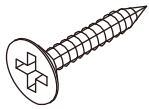
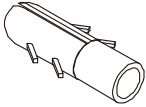

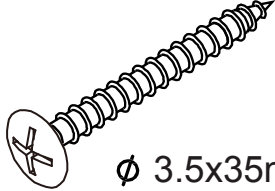

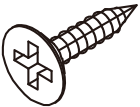
**WARNING : ENSURE THE WALL STRAP IS ATTACHED TO
AVOID SERIOUS INJURY**

To avoid any serious or fatal injury, this product has been fitted with a wall strap to prevent toppling. We strongly recommend that this product is permanently fixed to the wall or other suitable surface. Fixing devices are not included since different surface materials require different attachments. Please seek professional advice if you are in doubt of what fixing device to use.

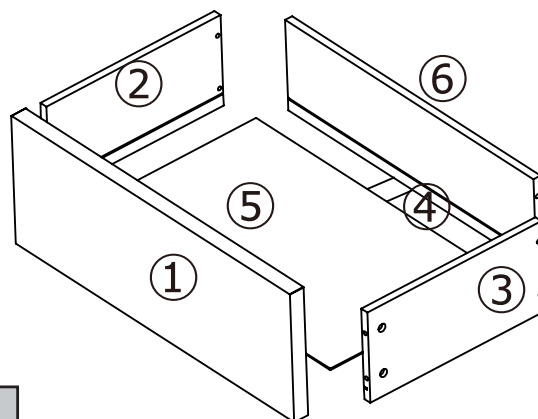
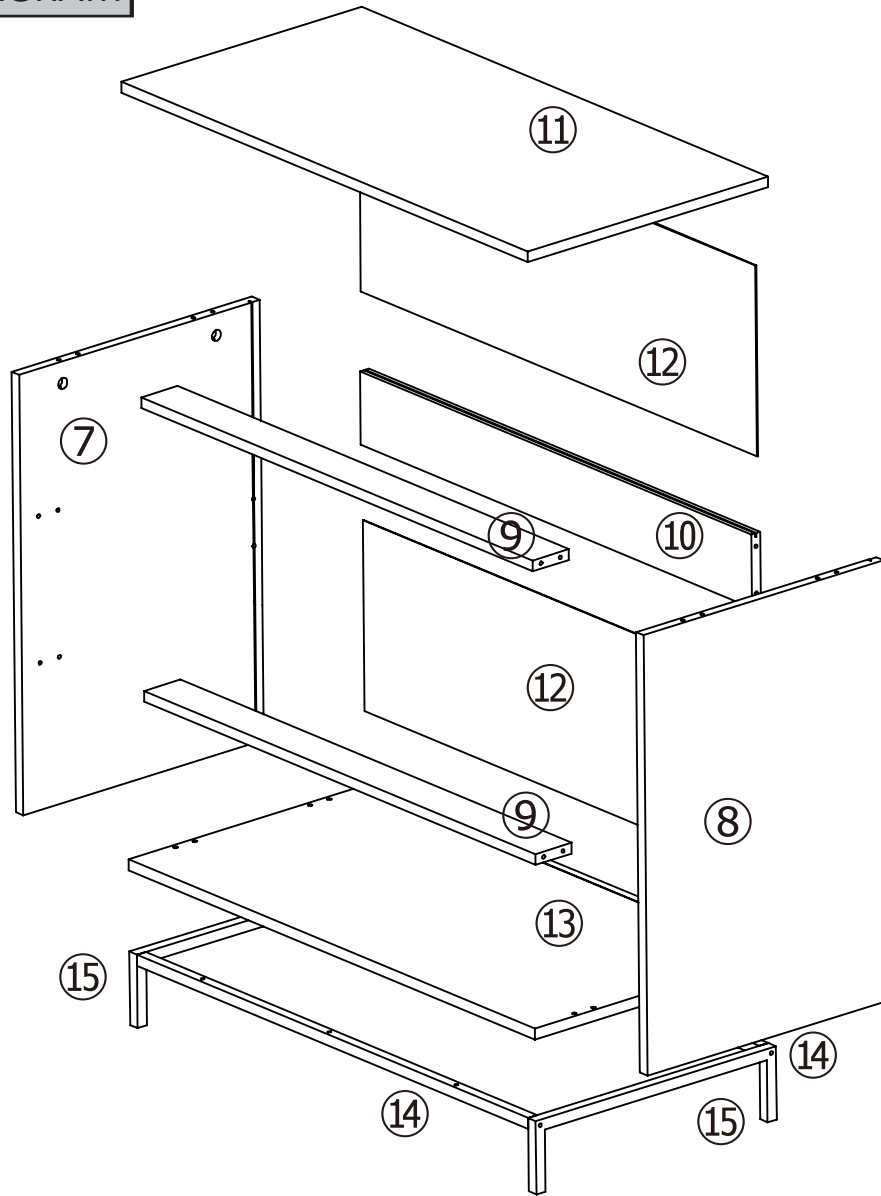
Do not stand on the product. Do not climb on the product. Do not swing on the product.

READ AND SAVE THESE INSTRUCTIONS FOR FUTURE REFERENCE

PARTS LIST

 <p>∅ 3.5x30mm Ax25</p>	 <p>Bx27</p>	 <p>Cx27</p>
 <p>∅ 3.5x10mm Dx32</p>	 <p>Ex6</p>	 <p>Fx3</p>
 <p>Gx3</p>	 <p>∅ 3.5x45mm Hx4</p>	 <p>Ix3</p>
 <p>Jx3</p>	 <p>Kx12</p>	 <p>∅ 6x35mm Lx4</p>
 <p>Mx1</p>	 <p>Nx8</p>	 <p>∅ 3x10mm Ox8</p>
 <p>Px2</p>	 <p>Qx2</p>	 <p>∅ 3.5x35mm Rx2</p>
 <p>∅ 3.5x10mm Sx2</p>	 <p>∅ 3x12mm Tx12</p>	

ASSEMBLY DIAGRAM



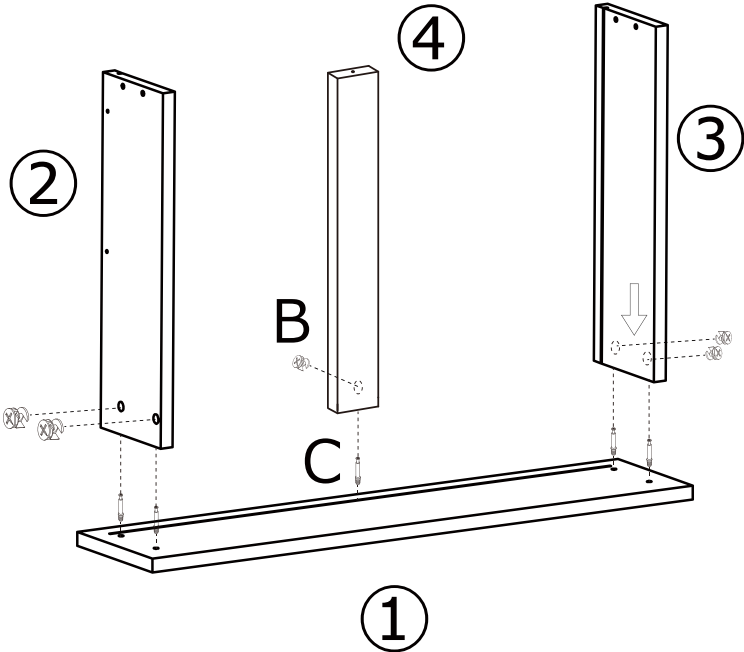
AFTER SALES SUPPORT

If you have any general enquiries or require spare parts for this product, please feel free to contact us

You can contact us for support at any time. We'll answer you in 24hrs.

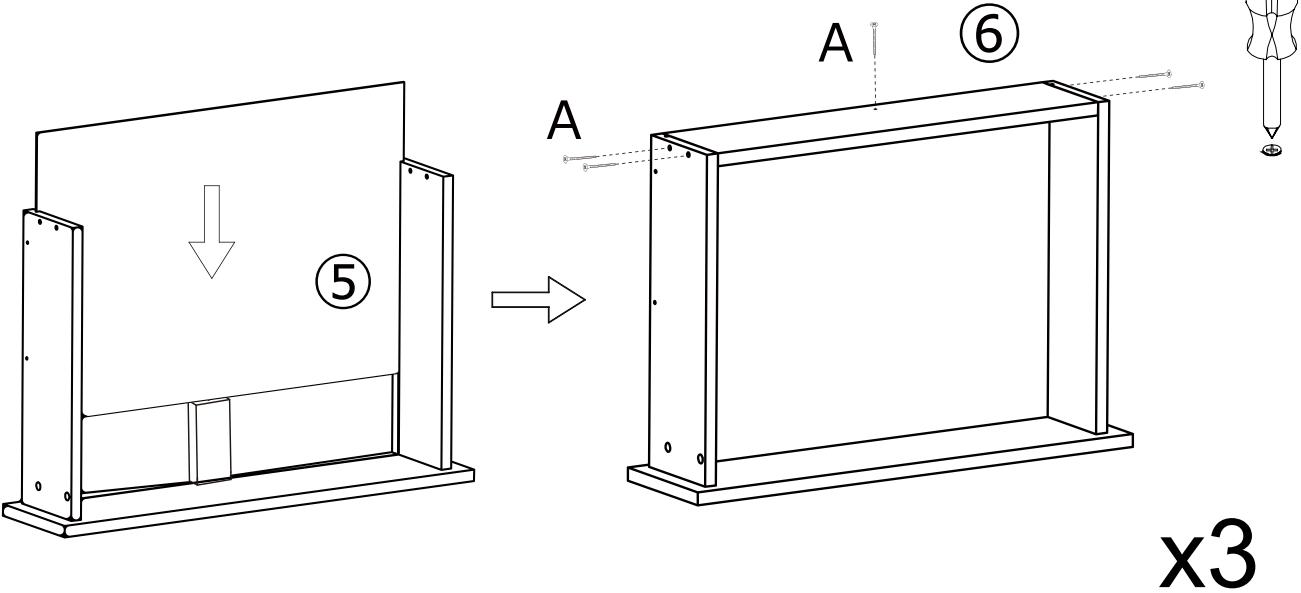
ASSEMBLY STEPS

STEP 1.



Attach part (2), (3), (4) to part (1) using 5 x cam bolts (C) and 5 x cam locks (B). Tighten with a screwdriver.

STEP 2.

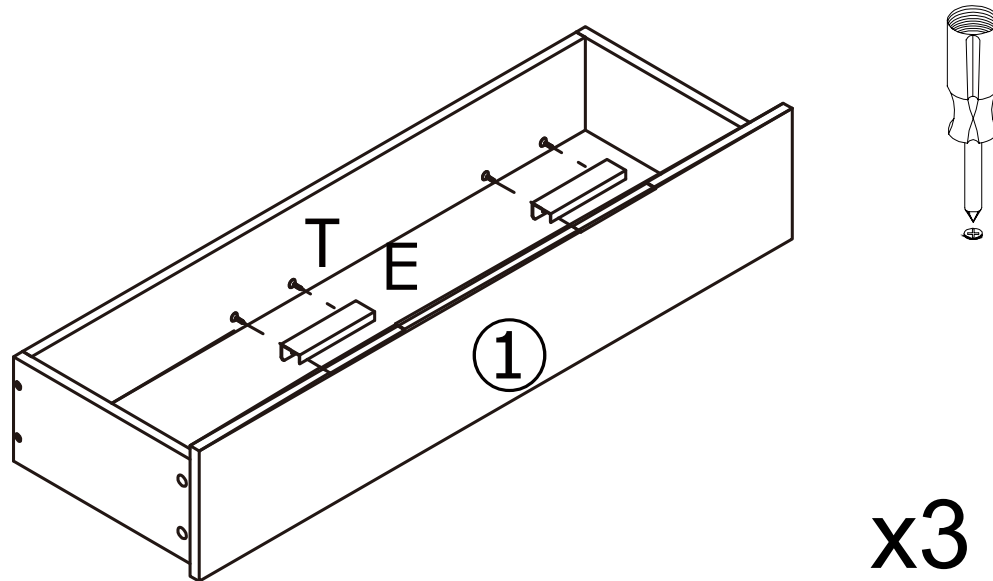


x3

Slide panel (5) into position as shown. Attach part (6) to assembled unit using 5 x screws (A). Tighten with a screwdriver.

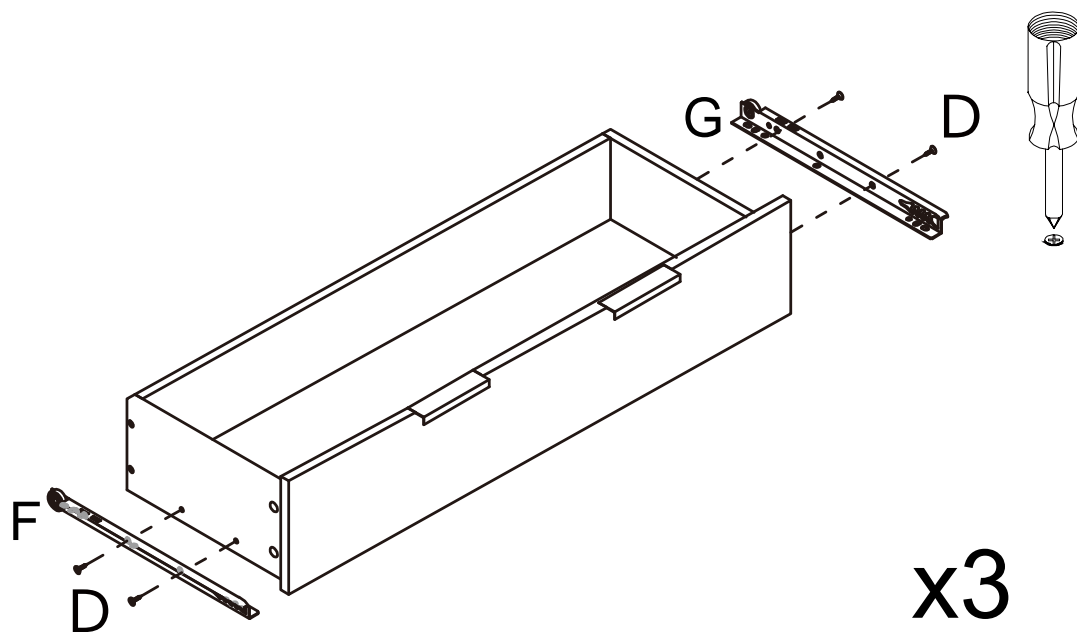
ASSEMBLY STEPS

STEP 3.



Attach 2 x handles (E) to the drawer using 4 x screws (T). Tighten with a screwdriver.

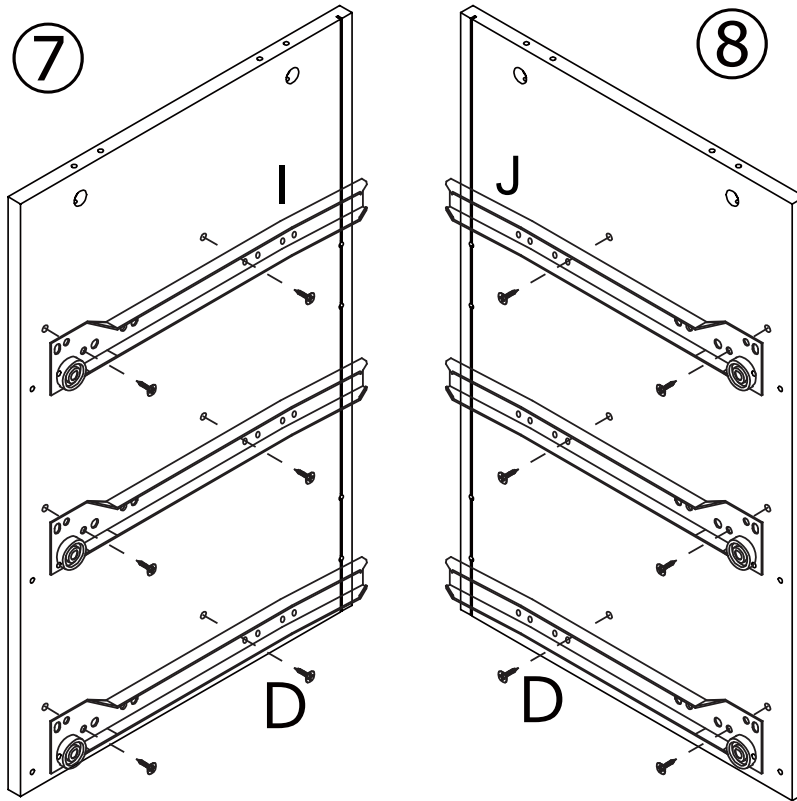
STEP 4.



Attach rail (F) to the left side of drawer as shown and secure with 2 x screws (D). Attach rail (G) to the right side of drawer as shown and secure with 2 x screws (D). Tighten with a screwdriver.

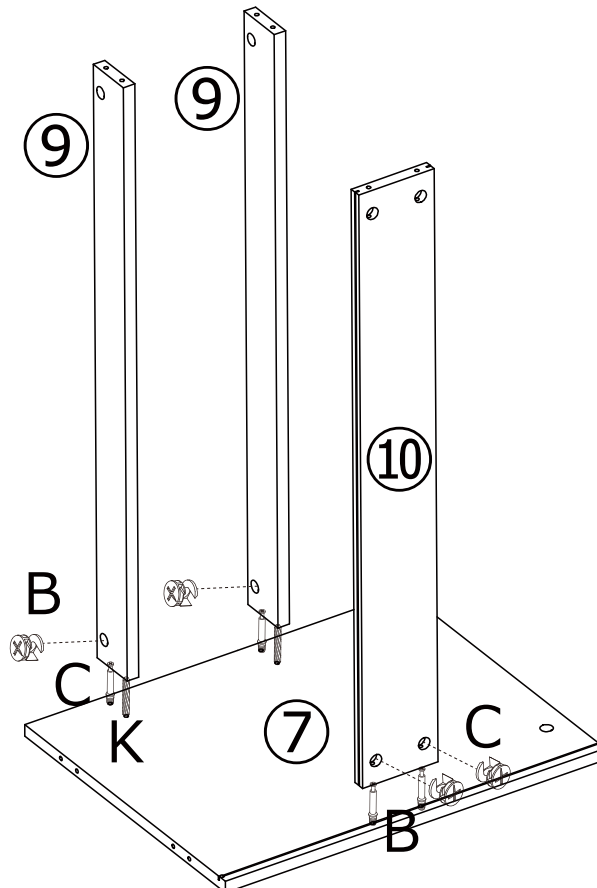
ASSEMBLY STEPS

STEP 5.



Find out the correct runners (I) and (J). Fix (I) on panel (7), (J) on panel (8) using 12 x screws (D). Don't mix (I) and (J). For the 6 x runners (I & J), the protruding edge at the silver button screw end is upward. The end of the runners (I) and (J) are close to the seam.

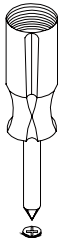
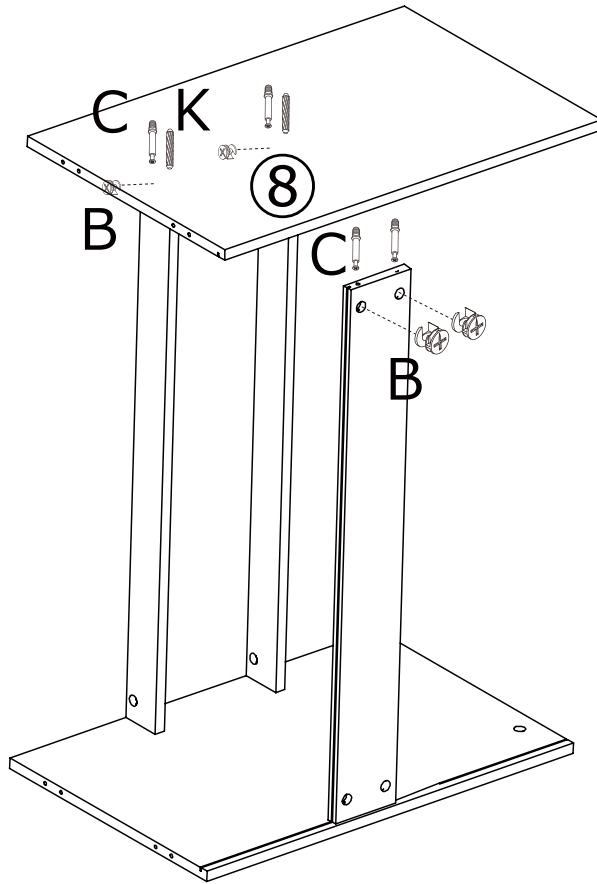
STEP 6.



Attach 2 x panels (9) to the left side panel (7) using 2 x wooden dowels (K), 2 x cam bolts (C) and 2 x cam locks (B). Attach panel (10) to panel (7) using 2 x cam bolts (C) and 2 x cam locks (B).

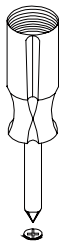
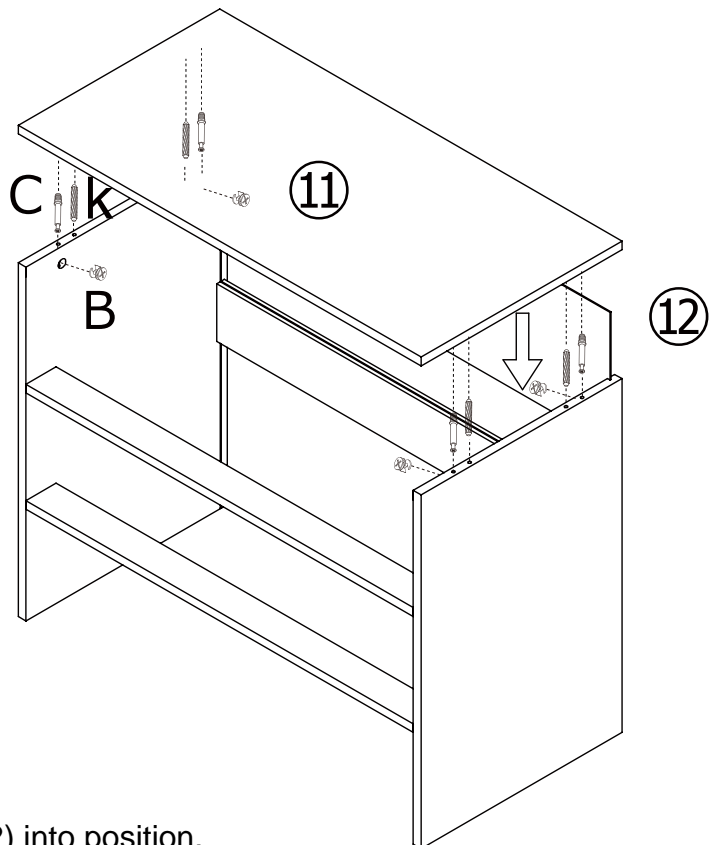
ASSEMBLY STEPS

STEP 7.



Attach the right side panel (8) to the assembled unit using 2 x wooden dowels (K), 4 x cam bolts (C) and 4 x cam locks (B) as shown. Tighten with a screwdriver.

STEP 8.

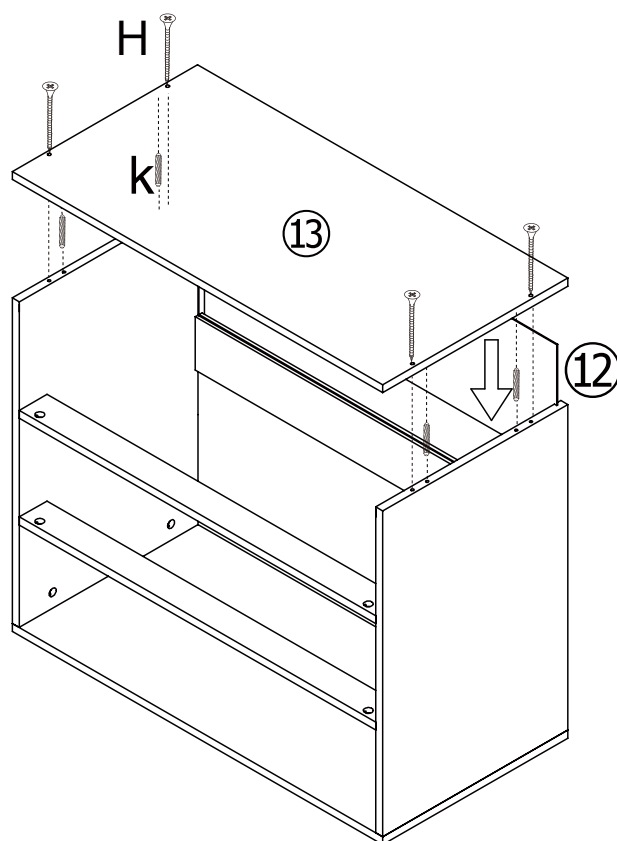


Slide back panel (12) into position.

Attach the top panel (11) to assembled unit using 4 x wooden dowels (K), 4 x cam bolts (C) and 4 x cam locks (B). Tighten with a screwdriver.

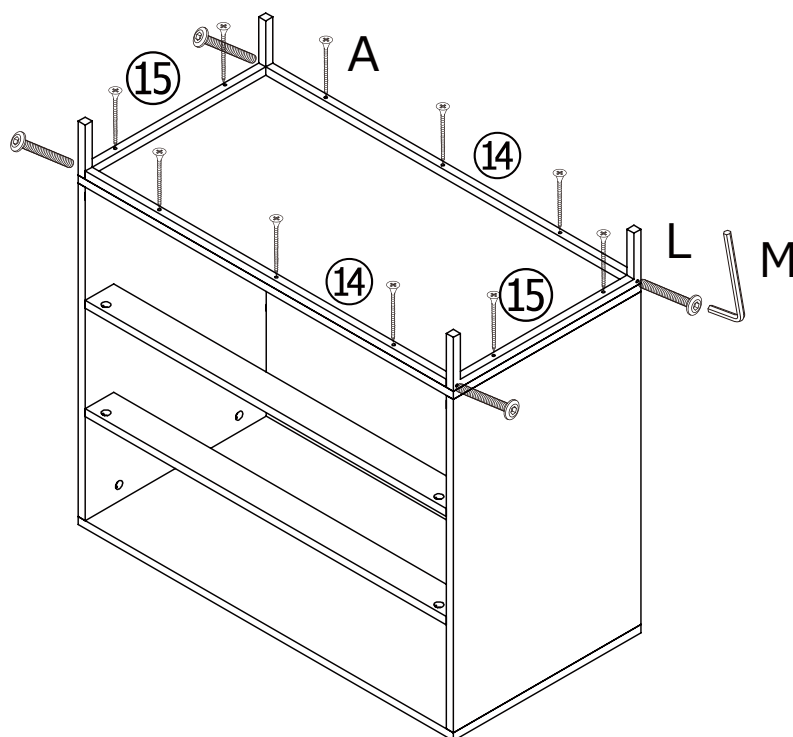
ASSEMBLY STEPS

STEP 9.



Turn the furniture upside down. Attach the bottom panel (13) to assembled unit using 4 x wooden dowels (K) and 4 x screws (H). Tighten with a screwdriver.

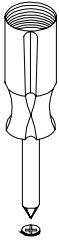
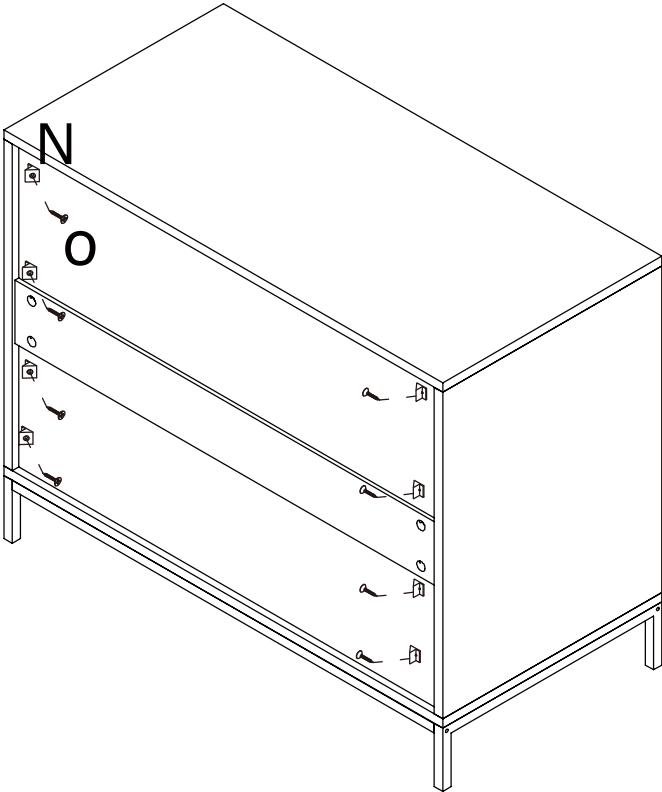
STEP 10.



Attach 2 x parts (14) to 2 x parts (15) using 4 x bolts (L). Tighten with a hex key (M). Attach the metal frame to the bottom panel using 10 x screws (A).

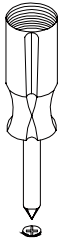
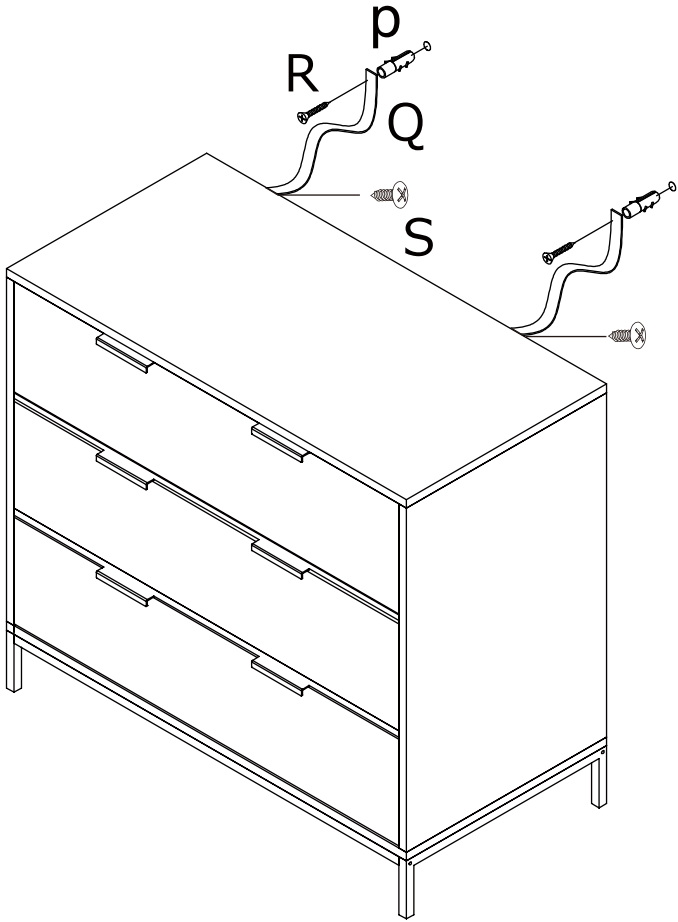
ASSEMBLY STEPS

STEP 11.



Attach 8 x plastic wedges (N) to the back panels using 8 x screws (O). Tighten with a screwdriver.

STEP 12.



Attach 2 x safety straps (Q) to the back panel of furniture using 2 x screws (S) as shown. Fasten assembled furniture to the wall using 2 x wall anchors (P), 2 x screws (R). Ensure unit is balanced and steady before use.

NOTE: Supplied wall plugs are only suitable for use in masonry walls.

If you have any doubts about using the correct plug for your wall, please seek professional advice. Failure of the product due to using incorrect fixings is the responsibility of the installer.



IMPORTANT:

When drilling into walls, always check for hidden wires or pipes, etc.



Tips & Tricks

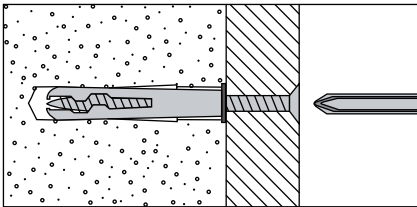
Make sure that the hardware used is suitable for supporting your unit.

Please consult a qualified trades person if unsure.

- ☑ If you are unsure, please select a larger screw and wall plug.
- ☑ Ensure that you use the recommended drill bit to match the wall plug and hole size.
- ☑ Take extra care when drilling high walls, ceiling and ceramic tiles. Ensure wall plugs are inserted beyond the thickness of the ceramic tiles to avoid splitting or cracking.
- ☑ Ensure that wall plugs are well fitted and are a tight fit in the drilled hole.

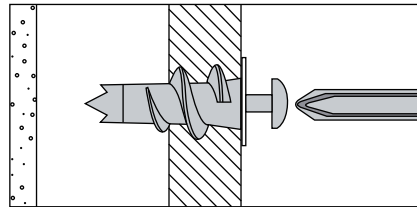
Types of Walls

Use one of the following types of wall plug (not included) if your walls are made of brick, breeze block, concrete, stone or wood. Screws may be able to be fixed directly to solid wood walls as they will provide a secure anchor point.



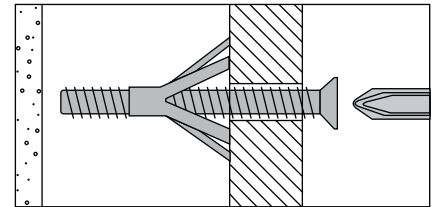
1. General Purpose Wall Plug

Generally, aerated blocks should not be used to support heavy loads, use a specialist fitting in this case. For light loads, general purpose wall plugs can be used.



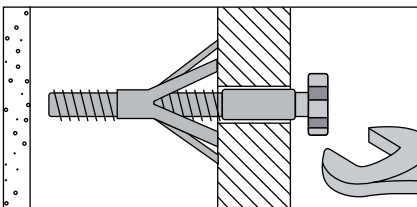
2. Plasterboard Wall Plug

For use when attaching light loads onto plasterboard partitions.



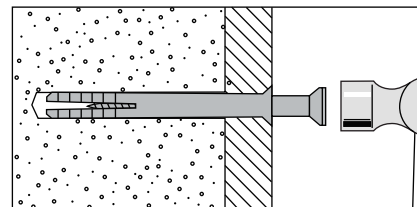
3. Cavity Fixing Wall Plug

For use with plasterboard partitions or hollow wooden doors.



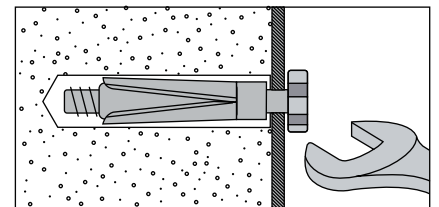
4. Cavity Fixing Heavy Duty Wall Plug

For use when fitting or supporting heavy loads such as shelving and wall cabinets.



5. Hammer Fixing Wall Plug

For use with concrete block or brick walls, or walls stuck with plasterboard. The hammer fixing allows it to be fixed to the wall rather than the plasterboard. Always check the fixing is secure to the retaining wall.



6. Shield Anchor Wall Plug Heavy Loads

For use with concrete or brick walls, or for use with heavier loads such as TV & HiFi speakers and satellite dishes, etc.