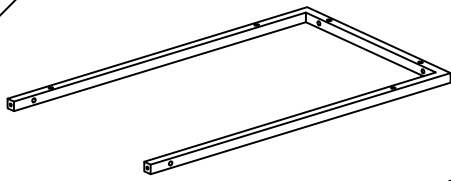
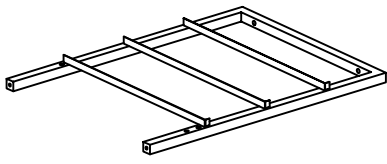
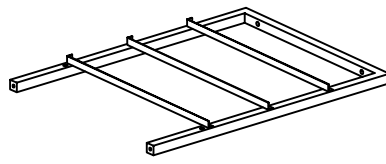
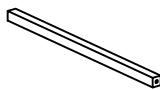
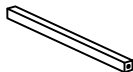
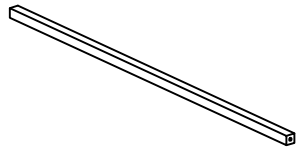
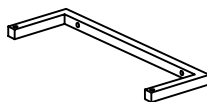
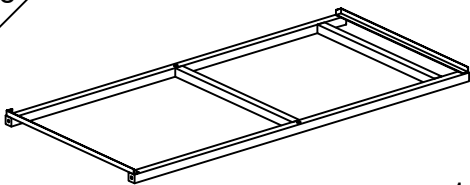
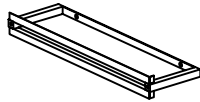
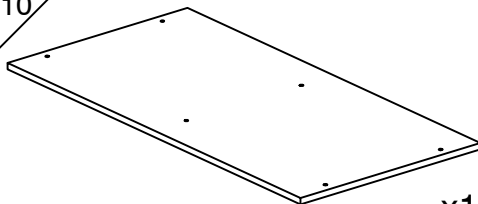
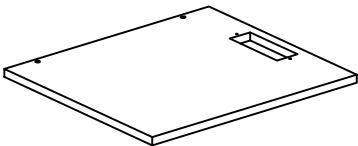
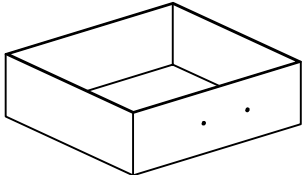
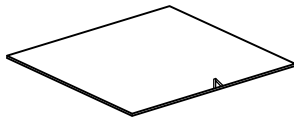
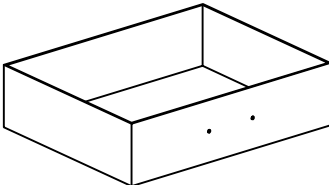
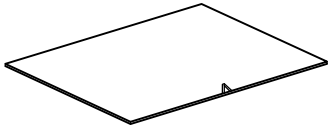
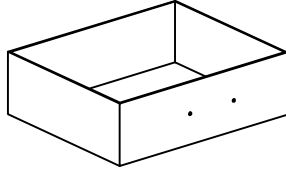
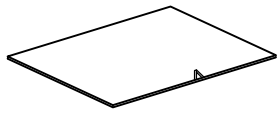
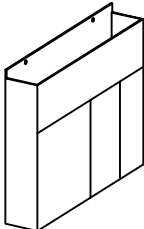

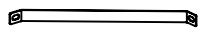




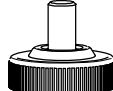

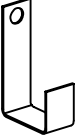


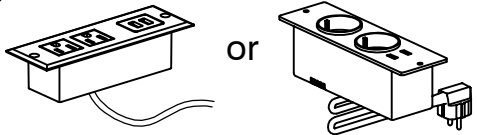

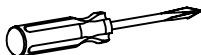
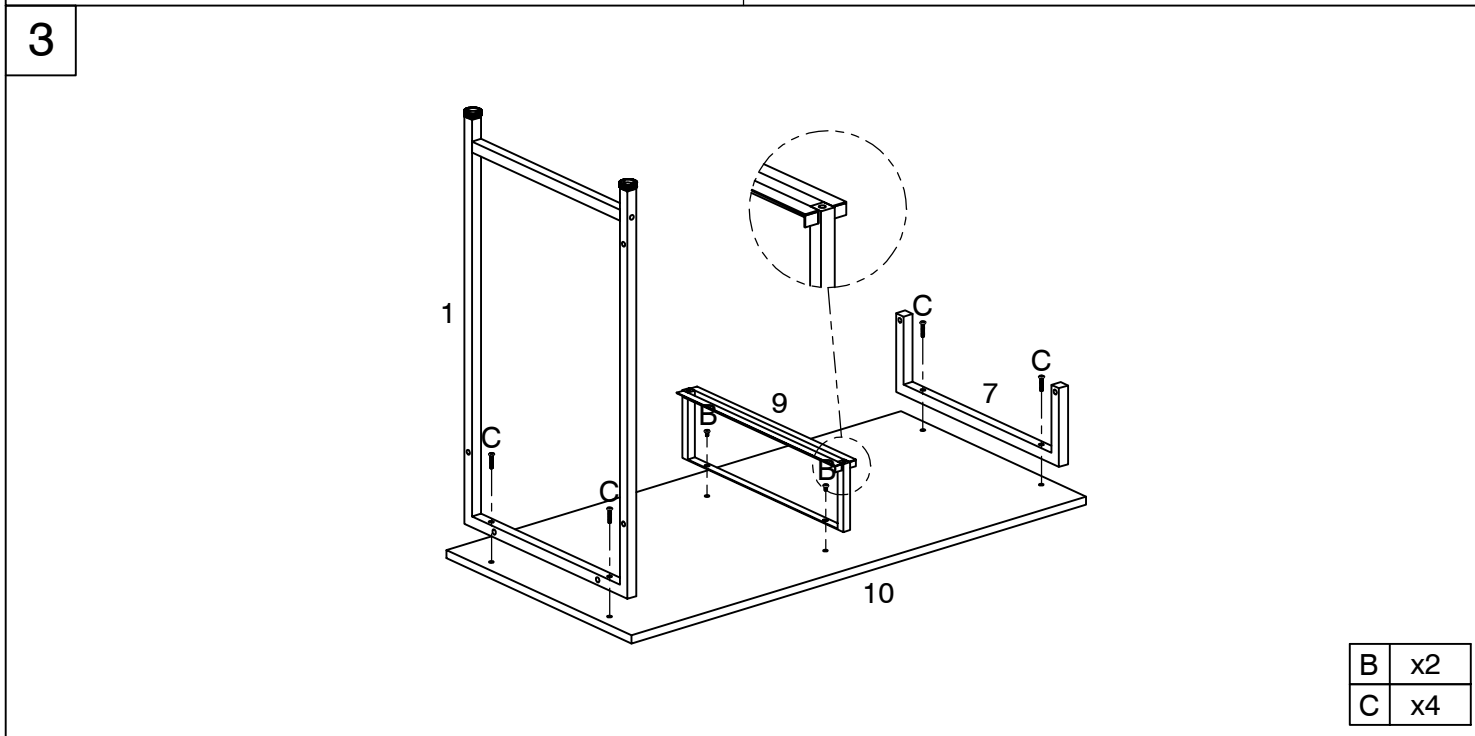
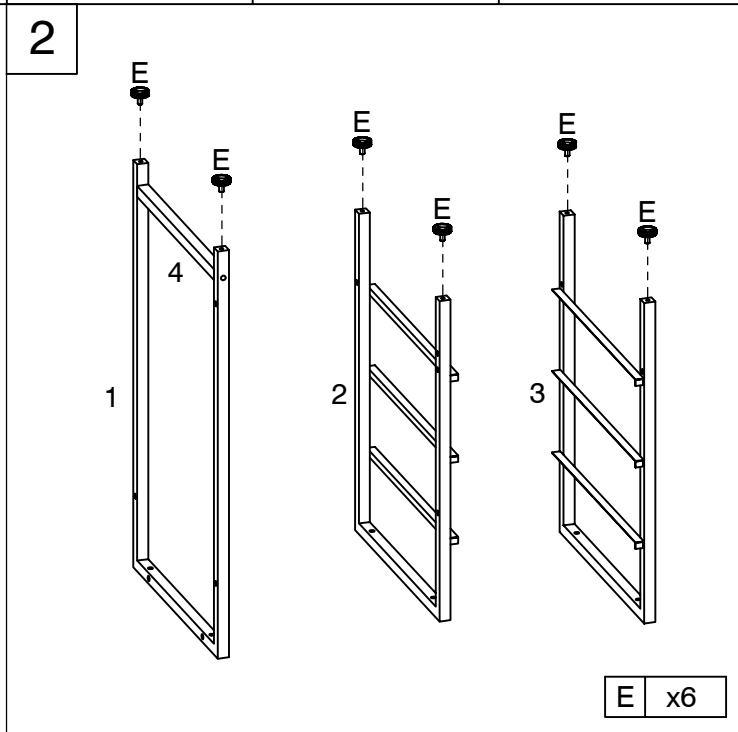
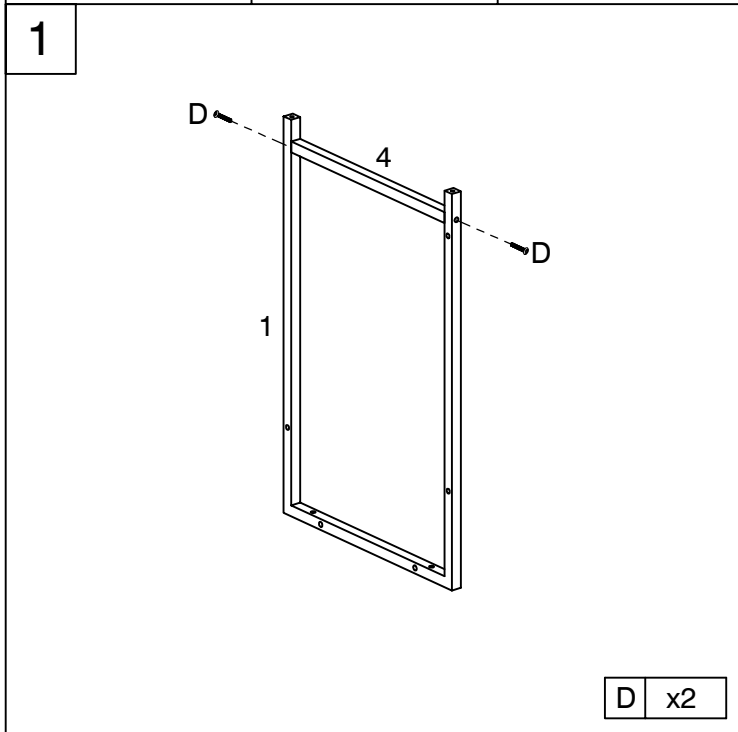


Assembling Instruction

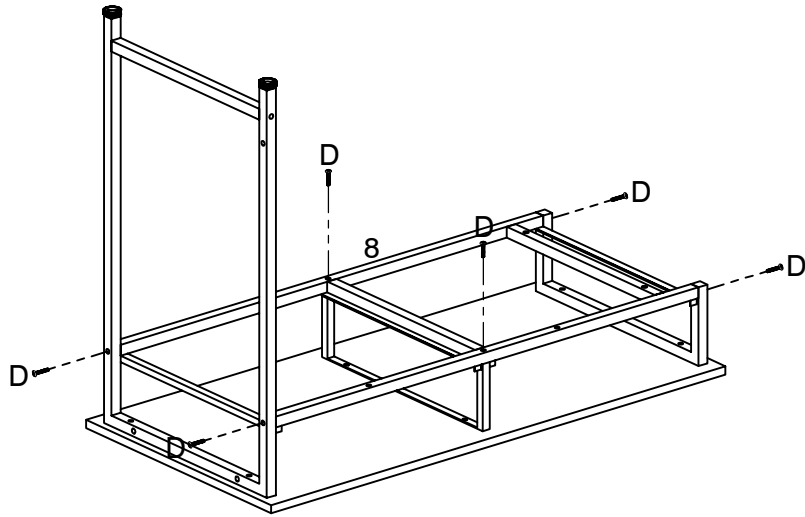
Attention: Do not tighten the screws until all of them are in right positions

1  x1	2  x1	3  x1
4  x1	5  x2	6  x1
7  x1	8  x1	9  x1
10  x1	11  x1	12  x2
13  x2	14  x2	15  x2
16  x1	17  x1	18  x1
19  x1	20  x2	

<p>A</p>  <p>M4x7 x10</p>	<p>B</p>  <p>M6x12 x10</p>	<p>C</p>  <p>M6x30 x6</p>	<p>D</p>  <p>M6x35 x14</p>	<p>E</p>  <p>M6 x6</p>	<p>F</p>  <p>x5</p>
<p>G</p>  <p>x2</p>	<p>H</p>  <p>M6x50 x2</p>	<p>I</p>  <p>M4x14 x2</p>	<p>J</p>  <p>x1</p>		
					

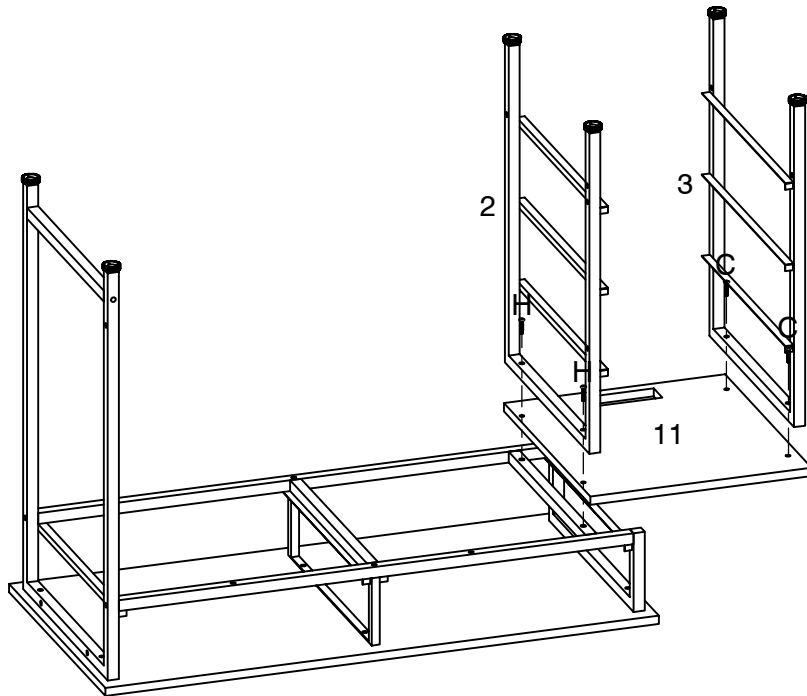


4



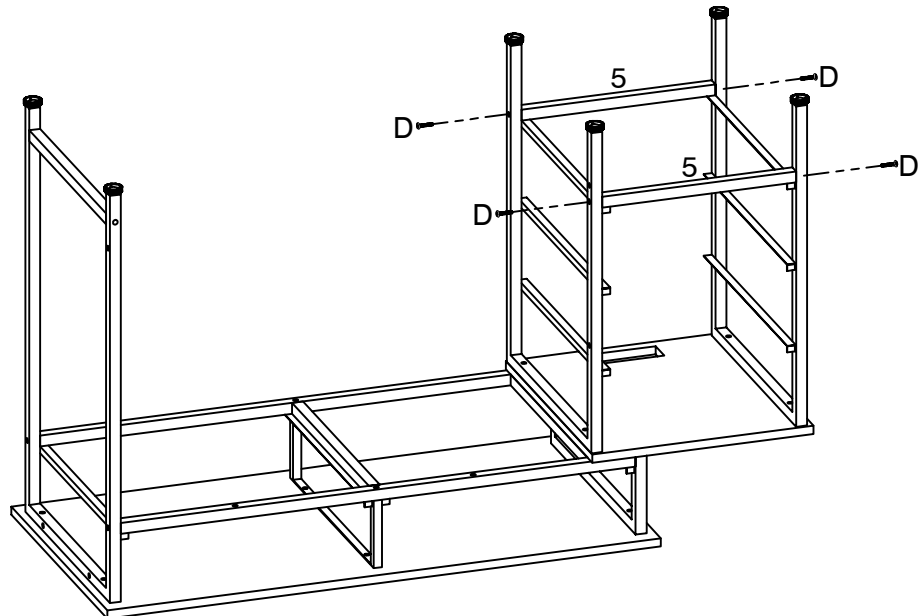
D	x6
---	----

5



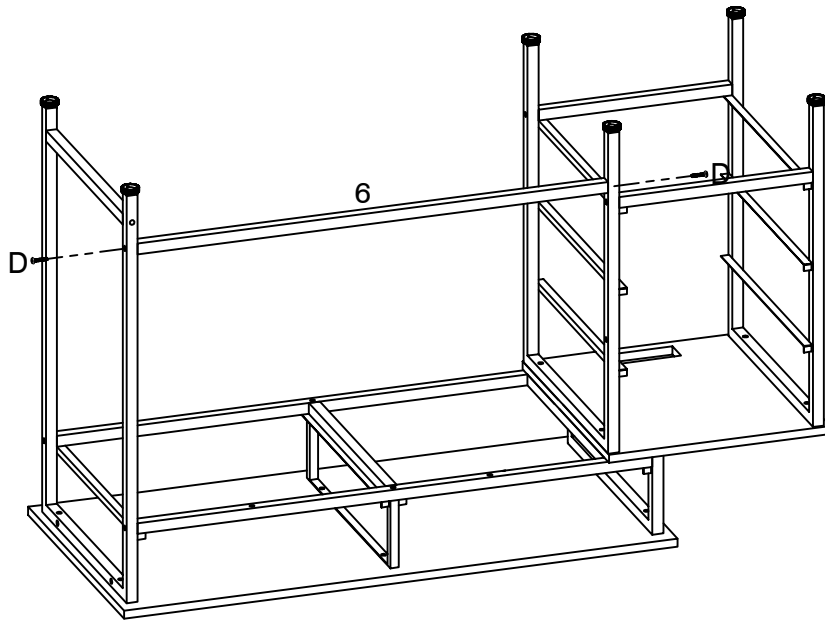
H	x2
C	x2

6



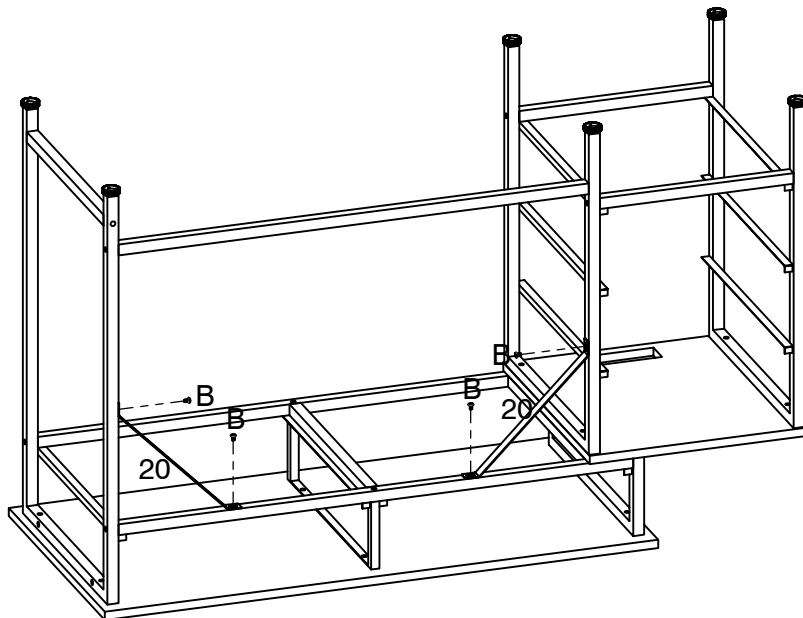
D	x4
---	----

7



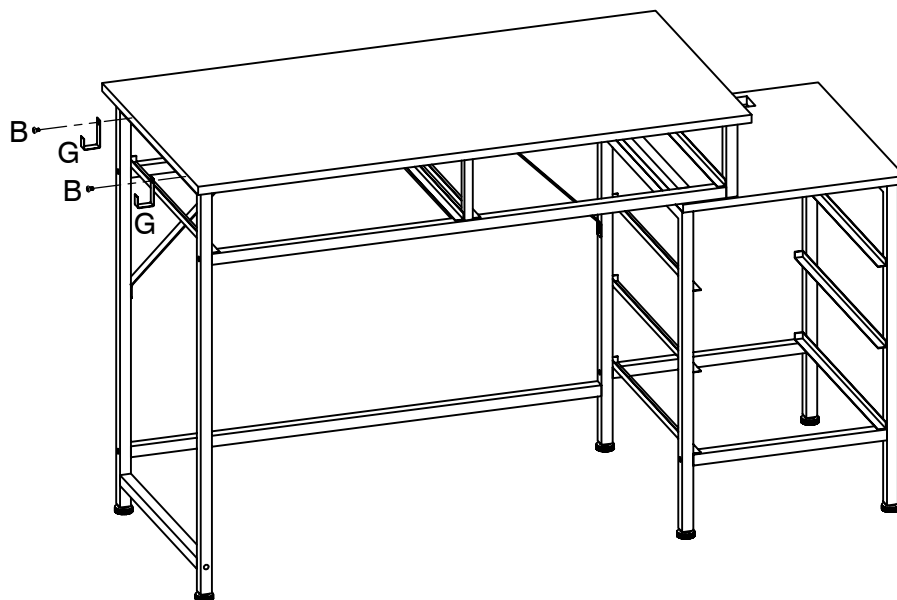
D	x2
---	----

8



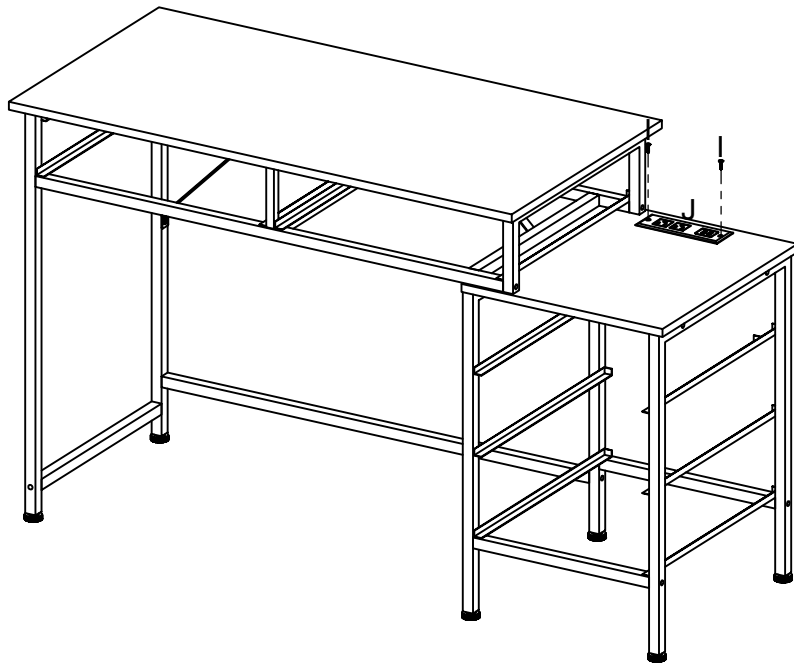
B	x4
---	----

9



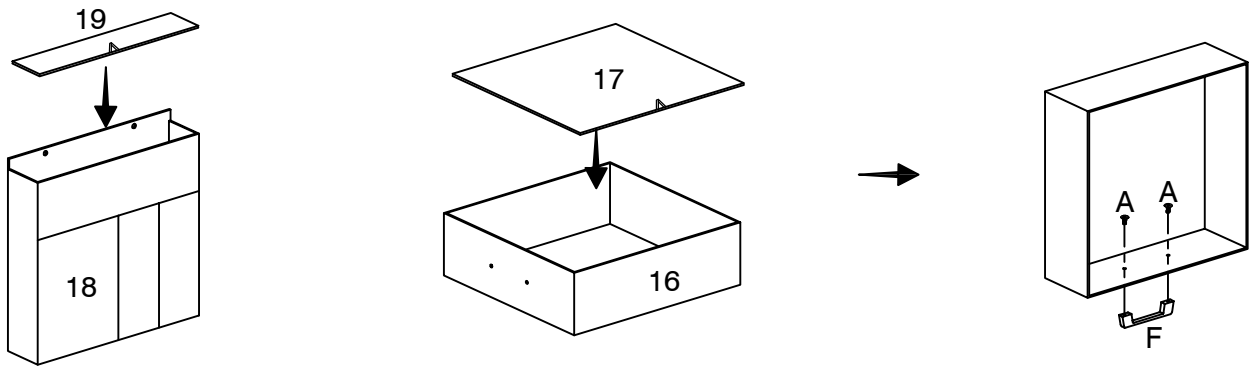
B	x2
G	x2

10



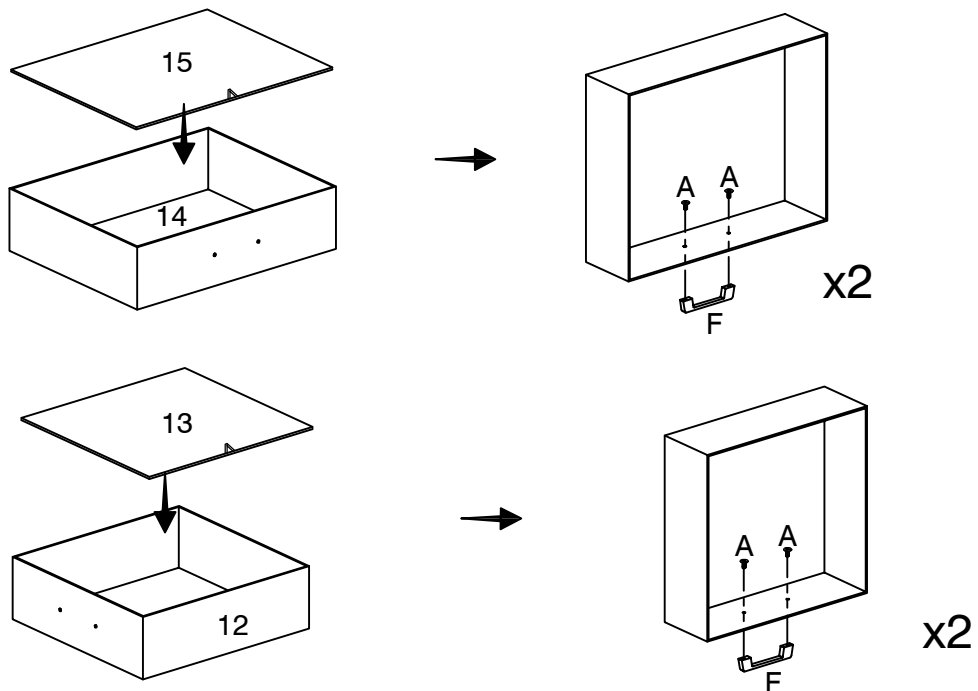
I	x2
J	x1

11



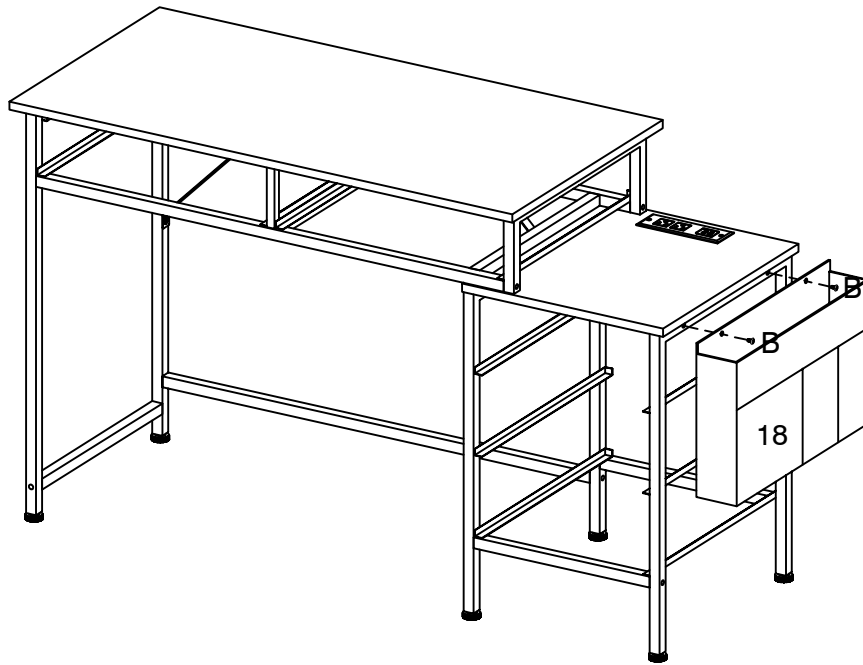
A	x2
F	x1

12



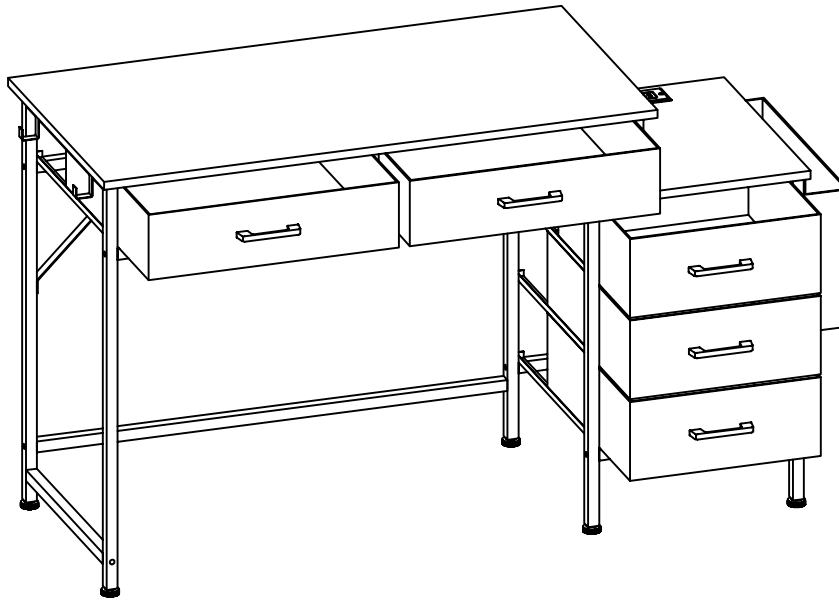
A	x8
F	x4

13



B x2

14



15

