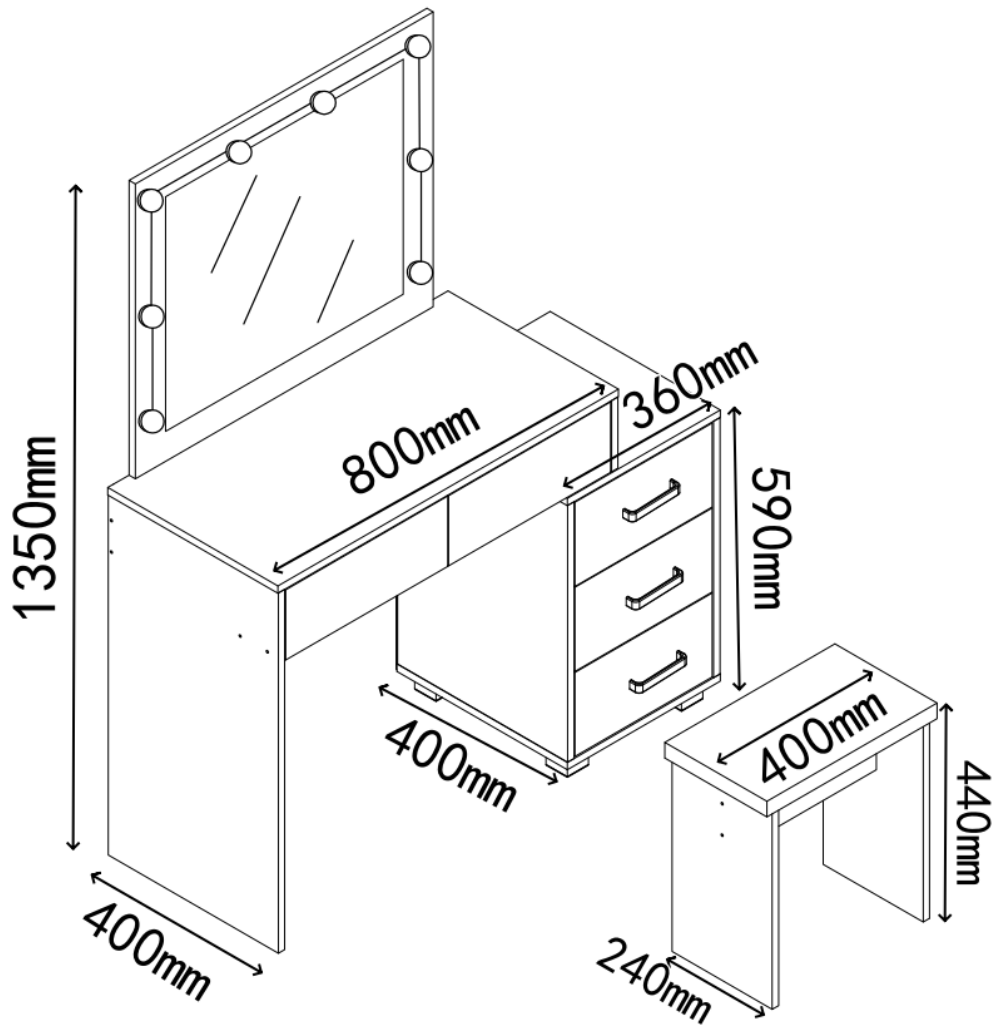



HOME SOURCE

Vero -- Dressing table with Mirror and stool

Assembly Instructions – Please keep for future reference

DRSVERWHT



Dimensions	No. people	Assembly Time	OW #
Width: 80cm Depth: 40cm Height: 135cm		60 mins (approx.)	DRSVERWHT



Important

- PLEASE READ THESE INSTRUCTIONS FULLY BEFORE STARTING ASSEMBLY
- PLEASE DO NOT THROW THE PACKAGING AWAY UNTIL YOU ARE SATISFIED WITH PURCHASE, GOODS NEED TO BE RETURNED IN ORIGINAL PACKAGING.

Safety and Care Advice

Important

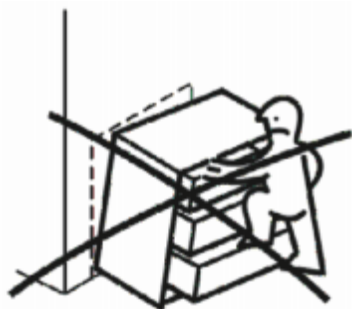
- PLEASE READ THESE INSTRUCTIONS FULLY BEFORE STARTING ASSEMBLY
- PLEASE DO NOT THROW THE PACKAGING AWAY UNTIL YOU ARE SATISFIED WITH PURCHASE, GOODS NEED TO BE RETURNED IN ORIGINAL PACKAGING.

- Check you have all the components and tools listed on pages 4 and 5.
- Remove all fittings from the plastic bags and separate them into their groups.
- Keep children and animals away from the work area, small parts could choke if swallowed.
- Make sure you have enough space to lay out the parts before starting.
- Do not stand or put weight on the product, this could cause damage.
- Assemble the item as close to its final position (in the same room) as possible.
- Assemble on a soft, level surface to avoid damaging the unit or your floor.
- We do not recommend the use of power drill/drivers for inserting screws, as this could damage the unit. Only use hand screwdrivers.
- Dispose of all packaging carefully and responsibly.



Warnings

CHILD SAFETY



CLIMBING MAY RESULT IN SERIOUS INJURY

ANCHOR AND PROTECT A CHILD

Use of anti-tip kit is required

- Place heaviest items in the lowest drawers.
- Useless specifically designed to accommodate, do not set TVs or other heavy objects on top of this product.
- Never allow children to climb or hang on drawers, doors or shelves.
- Never open more than one drawer at a time.
- Do not defeat or remove the drawer interlock system.
- Use of tip-over restraints may only reduce, but not eliminate, the risk of tip-over.

Care and Maintenance

- Only clean using a damp cloth and mild detergent, do not use bleach or abrasive cleaners.
- From time to time check that there are no loose screws on this unit.
- This product should not be discarded with household waste. Take to your local authority waste disposal centre.

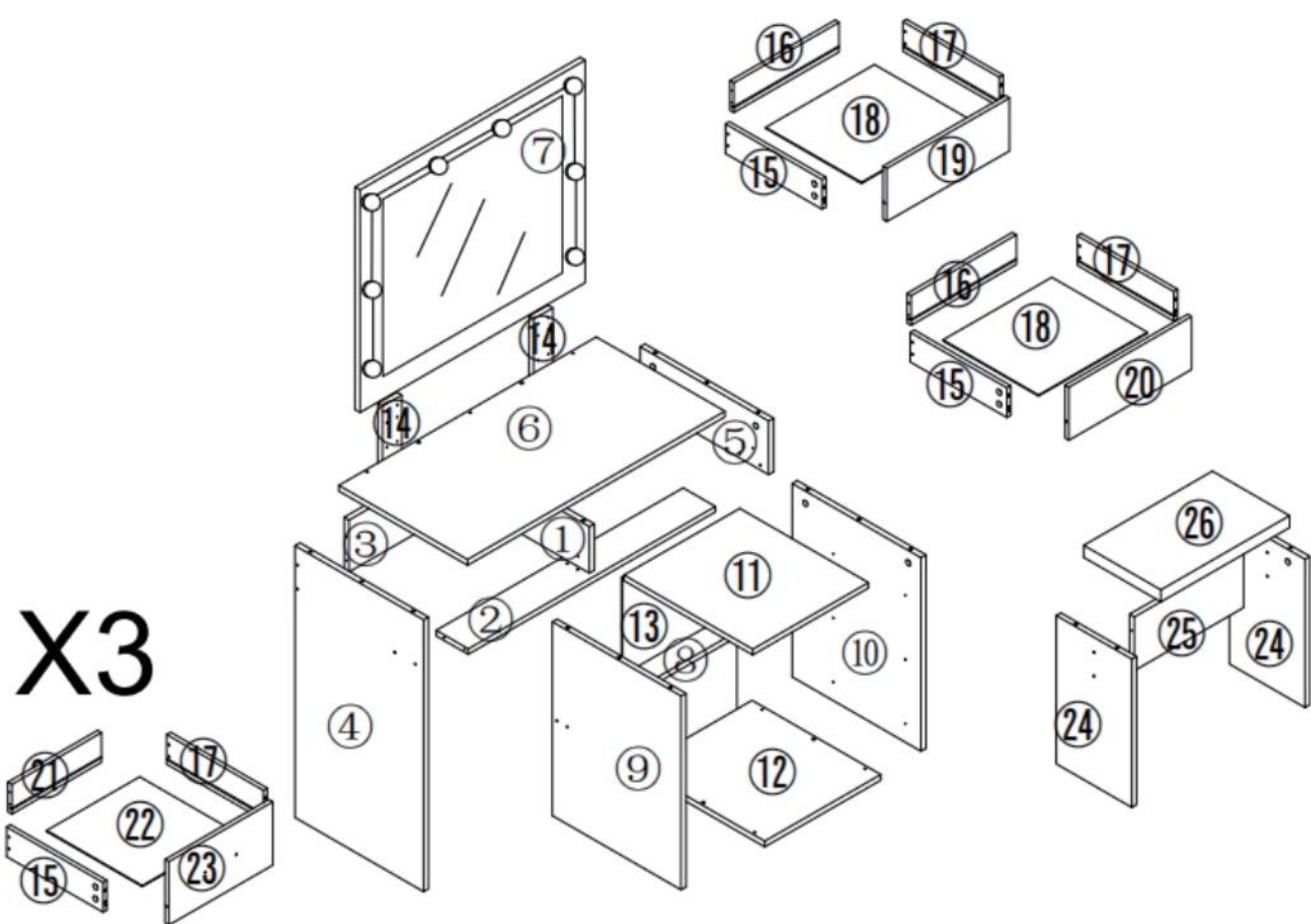
If kept outside please ensure in the winter months that the product is correctly covered or put away into a dry environment to prevent corrosion, weathering or damage.

If your product is not designed to be outside, we recommend that it is always kept indoors in a dry environment.

If you are unhappy with the product and wish to return it, please follow the retailer's returns procedure.

Exploded View

If you have damaged or missing components,
email: support@home-source.co.uk



浪

Components - Panels

If you have damaged or missing components,
email: support@home-source.co.uk

Please check that you have all the components listed below before constructing your item.

Part No	Description	Qty	Size (mm)	Thickness (mm)
1	MIDDLE PARTITION BOARD	1	125*371	15
2	FRONT CONNECTOR PANEL	1	768*100	15
3	BACK CONNECTOR PANEL	1	768*140	15
4	LEFT SIDE PANEL	1	733*400	15
5	RIGHT SIDE PANEL	1	150*400	15
6	TABLE TOP PANEL	1	800*400	15
7	MIRROR PANEL	1	700*601	15
8	DRAWER CABINET CONNECTOR PANEL	1	328*60	15
9	DRAWER CABINET LEFT SIDE PANEL	1	522*400	15
10	DRAWER CABINET RIGHT SIDE PANEL	1	522*400	15
11	DRAWER CABINET TOP PANEL	1	360*400	15
12	DRAWER CABINET BOTTOM PANEL	1	360*400	15
13	BACK PANEL	1	545*356	3
14	BACK CONNECTOR PANEL	2	176*60	15
15	DRAWER LEFT SIDE PANEL	5	300*80	12
16	DRAWER STOPPER	2	327.5*80	12
17	DRAWER RIGHT SIDE PANEL	5	300*80	12
18	DRAWER BOTTOM PANEL	2	297*338	3
19	LEFT DRAWER FACE	1	143*381	12
20	RIGHT DRAWER FACE	1	143*381	12
21	DRAWER STOPPER	3	279*80	12
22	DRAWER BOTTPAN PANEL	3	297*289	3
23	DRAWER FACE	3	171*323	12
24	STOOL SIDE PANEL	2	400*235	15
25	STOOL CONNECTOR	1	340*145	15
26	STOOL CUSHION	1	400*240	32

Important – Please read these instructions fully before starting assembly

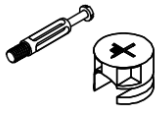
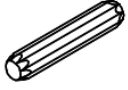

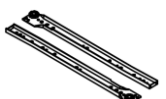

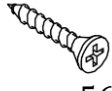






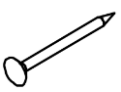







If you need help or have damaged or missing parts, please email support@home-source.co.uk

Components - Fixings

If you have damaged or missing components,
email: support@home-source.co.uk

Please check that you have all the components listed below before constructing your item.

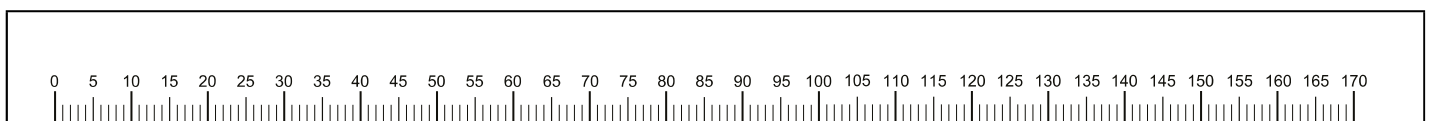
Note: The quantities below are the correct amount to complete the assembly. In some cases more fittings may be supplied than are required.

(A)	 18PCS	(B)	 8*40 9PCS	(C)	5*40  47PCS	(D1)	300mm  5 SETS
(D2)	300mm  5 SETS	(E)	3.5*14  56PCS	(F)	 4PCS	(G)	 20PCS
(H)	4*15  3 PCS	(I)	12*2  5 PCS	(J)	 6 PCS	(K)	3.5*25  16PCS
(L)	 30 PCS	(M1)	 2 PCS	(M2)	3.5*14  2 PCS	(M3)	3.5*35  2 PCS
(M4)	6*35  2 PCS	(N)	 1 PCS	(O)	 16 PCS	(P)	 1 PCS

Tools Required



Ruler – Use this to measure your screws (mm)



Important – Please read these instructions fully before starting assembly

If you need help or have damaged or missing parts, please email support@home-source.co.uk

Assembly Instructions

If you have damaged or missing components,
email: support@home-source.co.uk

STEP 1

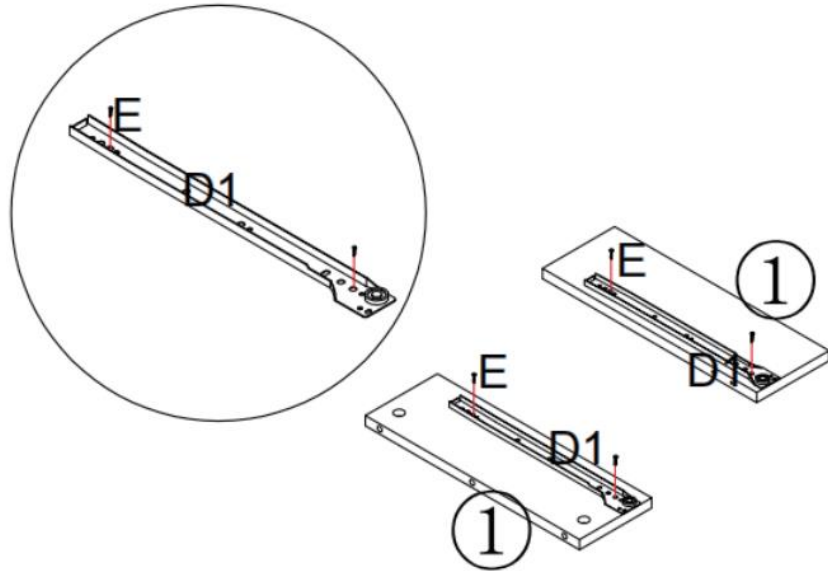
Attach Slide Runner

Screw 4pcs Short Tapping
Screw E into both sides of
Panel ① through 2pcs
Slide Runner D1.



NOTE

Please ensure that screw
holes are drilled correctly
and keep the screws on the
slide runners are flat.



D1*2

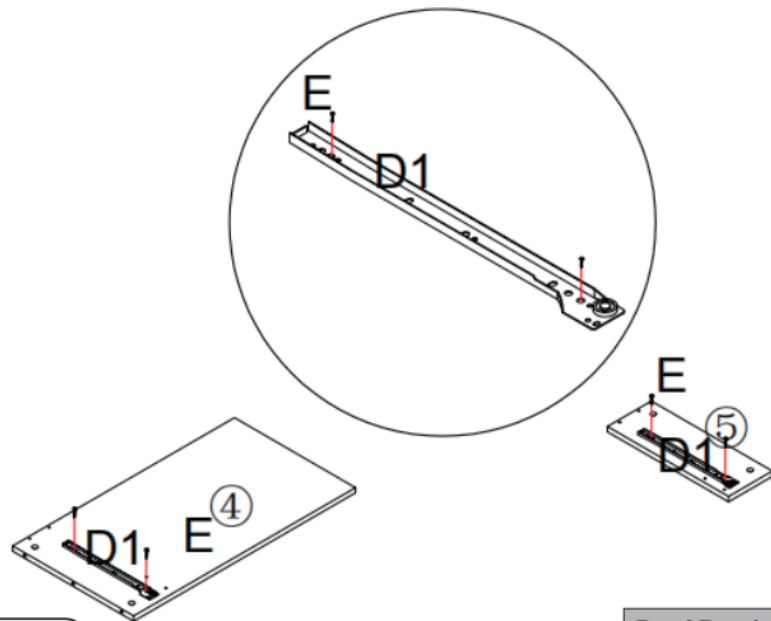
E*4

Panel Required	Qty
①	1

STEP 2

Attach Slide Runner of Side Panels

Screw 4pcs Short Tapping
Screw E into Panel ④ and
Panel ⑤ through 2pcs
Slide Runner D1.



D1*2

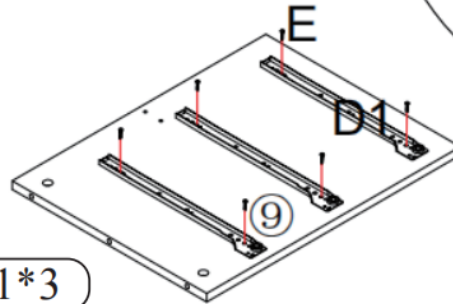
E*4

Panel Required	Qty
④	1
⑤	1

STEP 3

Attach Slide Runner of Side Cabinet

Screw 6pcs Short Tapping
Screw E into Panel ⑨
through 3pcs Slide Runner
D1.



D1*3

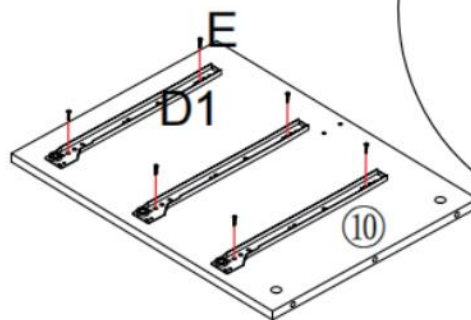
E*6

Panel Required	Qty
⑨	1

STEP 4

Attach Slide Runner of Side Cabinet

Screw 6pcs Short Tapping
Screw E into Panel ⑩
through 3pcs Slide Runner
D1.



D1*3

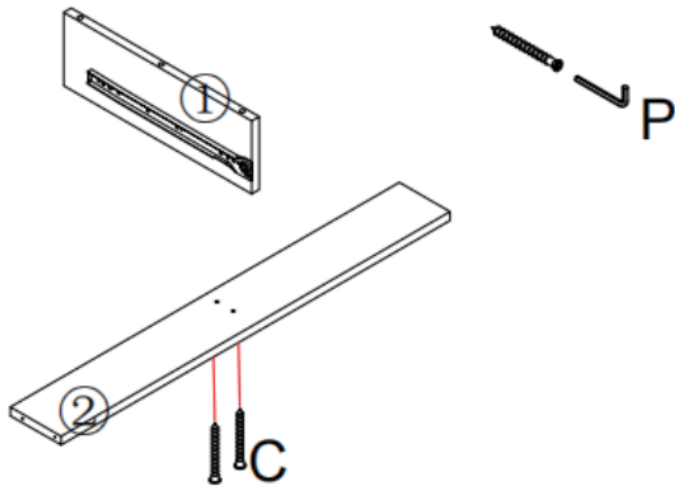
E*6

Panel Required	Qty
⑩	1

STEP 5

Assemble Bottom Panel of Table Drawer

Insert 2pcs Hexagon Tapping Screw C to connect Panel ① and Panel ② by Allen Key P.



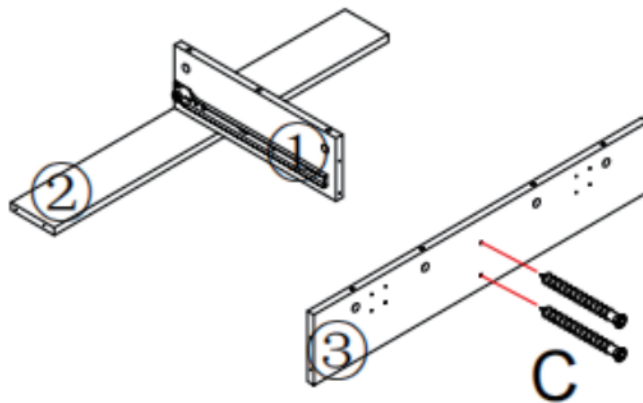
C*2
P*1

Panel Required	Qty
①	1
②	1

STEP 6

Assemble Back Panel of Table Drawer

Insert 2pcs Hexagon Tapping Screw C to connect Panel ③ to Panel ① and Panel ② by Allen Key P (Bottom Part installed in STEP 5).



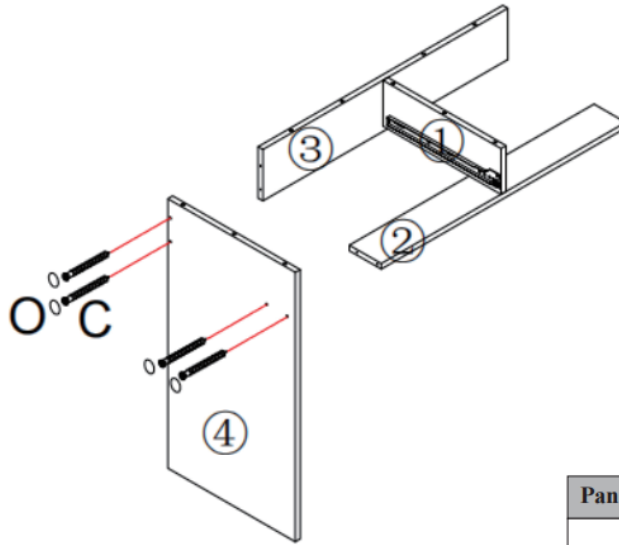
C*2

Panel Required	Qty
①	1
②	1
③	1

STEP 7

Assemble Side Panel of Table

- Insert 4pcs Hexagon Tapping Screw C to connect Panel ④ to Panel ①, Panel ② and Panel ③ by Allen Key P(Back Part installed in STEP 6).
- Place 4pcs Big Sticker O to cover Hexagon Tapping Screw C.



C*4

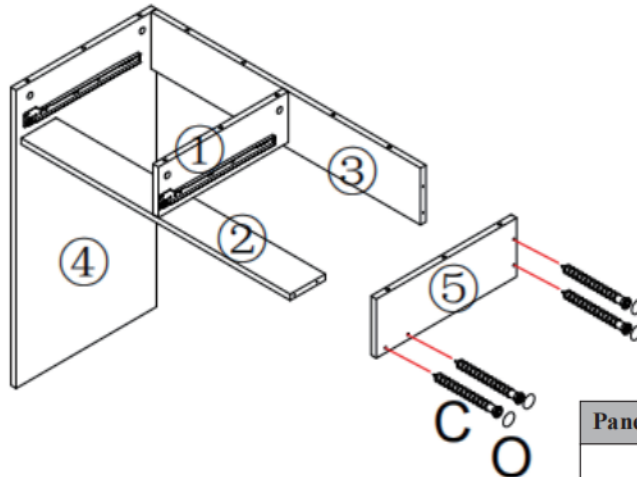
O*4

Panel Required	Qty
①	1
②	1
③	1
④	1

STEP 8

Assemble Another Side Panel of Table

- Insert 4pcs Hexagon Tapping Screw C to connect Panel ⑤ to Side Table Part (Installed in STEP 7).
- Place 4pcs Big Sticker O to cover Hexagon Tapping Screw C.



C*4

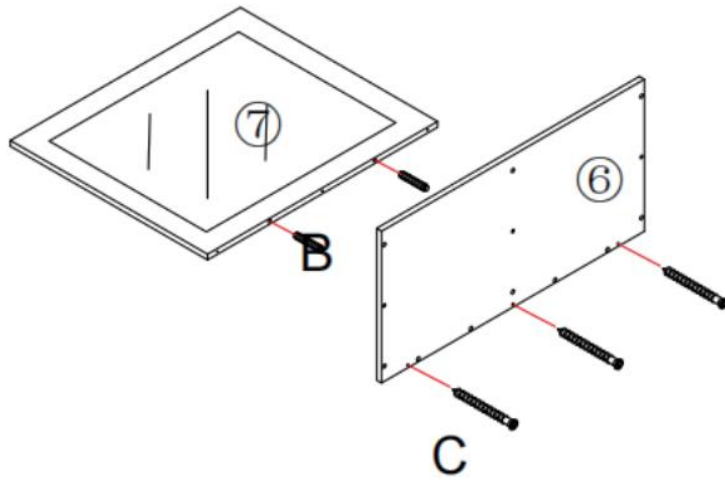
O*4

Panel Required	Qty
①	1
②	1
③	1
④	1
⑤	1

STEP 9

Fit Mirror and Tabletop

- Insert 2pcs Wooden Dowel B to Panel ⑦.
- Insert 3pcs Hexagon Tapping Screw C to connect Panel ⑥ and Panel ⑦.



B*2

C*3

Panel Required	Qty
⑥	1
⑦	1

STEP 10

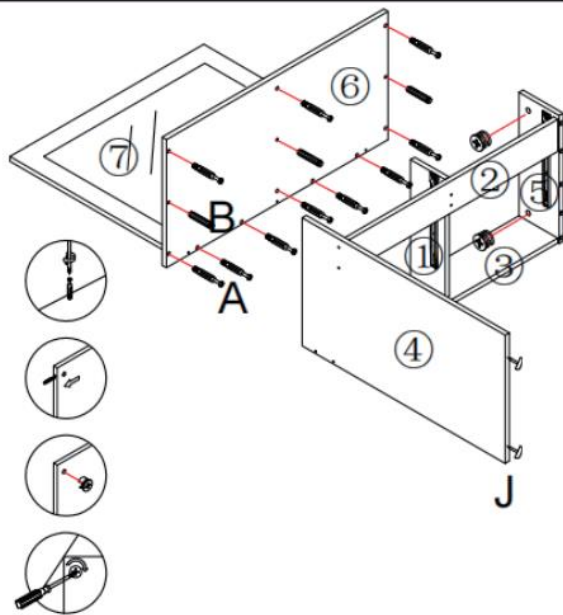
Fit Bottom Part of Table

- Screw 10pcs Cambolt A and insert 3pcs Wooden Dowel B to Panel ⑥ to connect Bottom Part of Table(Installed in STEP 8), then tighten 10pcs Cam-lock A.
- Place 5pcs Small Sticker I to cover Right Side screw holes and insert 2pcs Leg Pin J into the ends of Panel ④



NOTE

Don't screw too deep



A*10

B*3

I*5

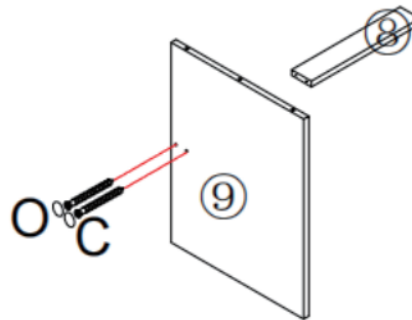
J*2

Panel Required	Qty
①	1
②	1
③	1
④	1
⑤	1
⑥	1
⑦	1

STEP 11

Assemble Side Panel of Side Cabinet

- Insert 2pcs Hexagon Tapping Screw C to connect Panel ⑧ and Panel ⑨.
- Place 2pcs Big Sticker O to cover Hexagon Tapping Screw C.



C*2

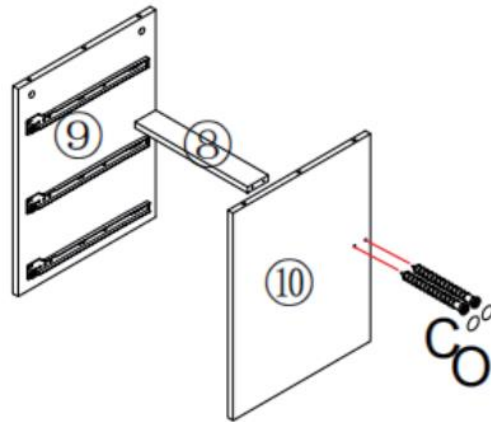
O*2

Panel Required	Qty
⑧	1
⑨	1

STEP 12

Assemble Another Side Panel of Side Cabinet

- Insert 2pcs Hexagon Tapping Screw C to connect Panel ⑧ and Panel ⑩.
- Place 2pcs Big Sticker O to cover Hexagon Tapping Screw C.



C*2

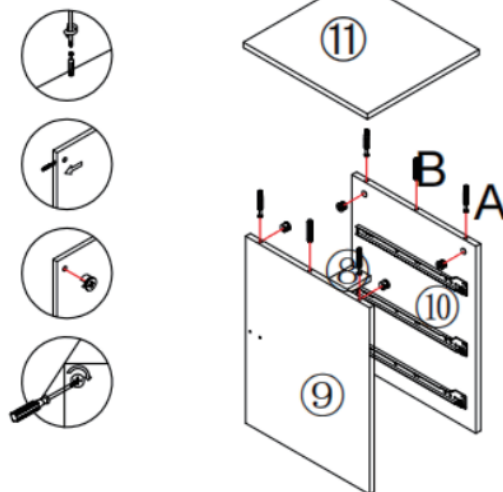
O*2

Panel Required	Qty
⑧	1
⑨	1
⑩	1

STEP 13

Fit Top Panel of Side Cabinet

Screw 4pcs Cambolt A and insert 2pcs Wooden Dowel B to Panel ⑨ and Panel ⑩ to connect Panel ⑪, then tighten 4pcs Camlock A.



NOTE

Don't screw too deep

A*4

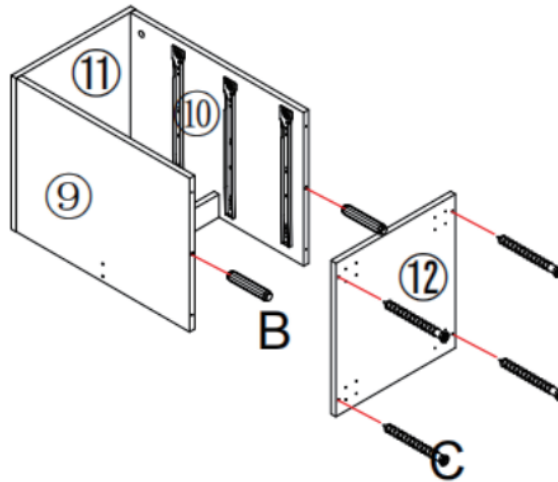
B*2

Panel Required	Qty
⑧	1
⑨	1
⑩	1
⑪	1

STEP 14

Fit Bottom Panel of Side Cabinet

- Insert 2pcs Wooden Dowel B to Panel ⑨ and Panel ⑩.
- Insert 4pcs Hexagon Tapping Screw C to connect Panel ⑨, Panel ⑩ and Panel ⑫ (Installed in STEP 13).



B*2

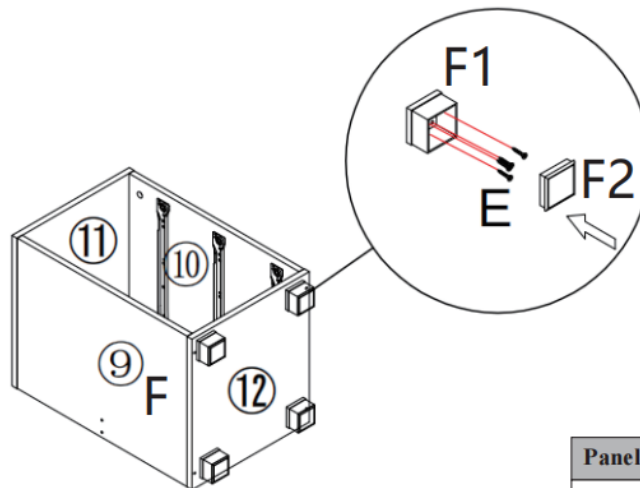
C*4

Panel Required	Qty
⑧	1
⑨	1
⑩	1
⑪	1
⑫	1

STEP 15

Attach Cabinet Feet of Side Cabinet

- Take apart 4pcs Cabinet Feet F into 2 parts F1 and F2.
- Screw 16pcs Short Tapping Screws E into Panel ⑫ through F1, then cover 4pcs of F2.



E*16

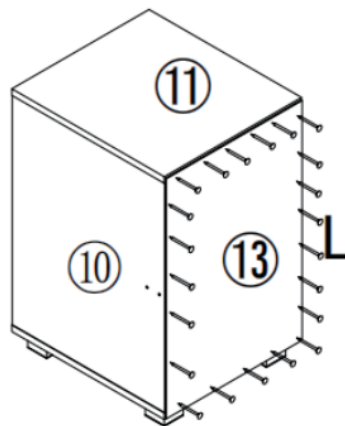
F*4

Panel Required	Qty
⑧	1
⑨	1
⑩	1
⑪	1
⑫	1

STEP 16

Assemble Back Panel of Side Cabinet

Screw 30pcs Nails L to Panel ⑬.



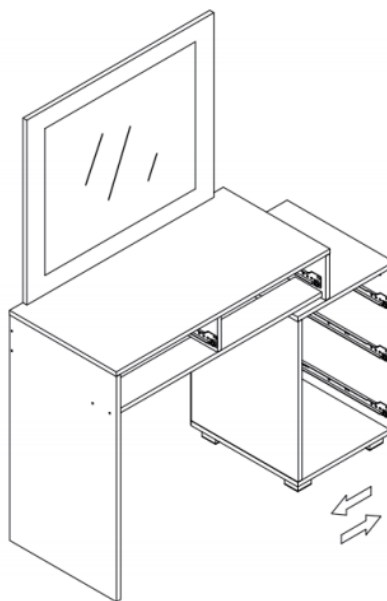
L*30

⑬

1

STEP 17

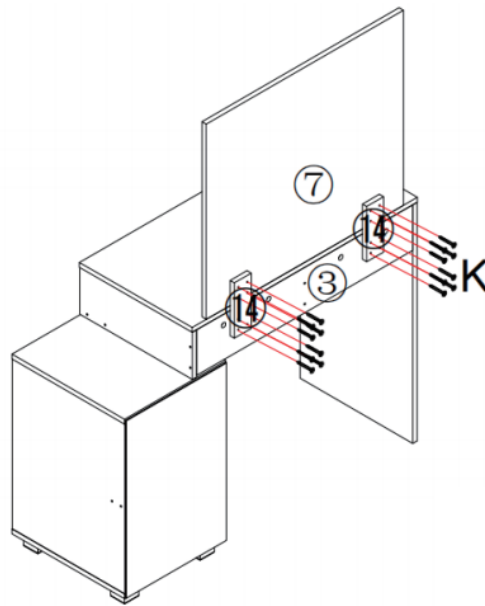
Get dressing table with extendable **right side cabinet**.



STEP 18

Fix Mirror and Tabletop

Screw 16pcs Tapping Screw K into Panel ③ and Panel ⑦ through 2pcs of Panel ⑭.



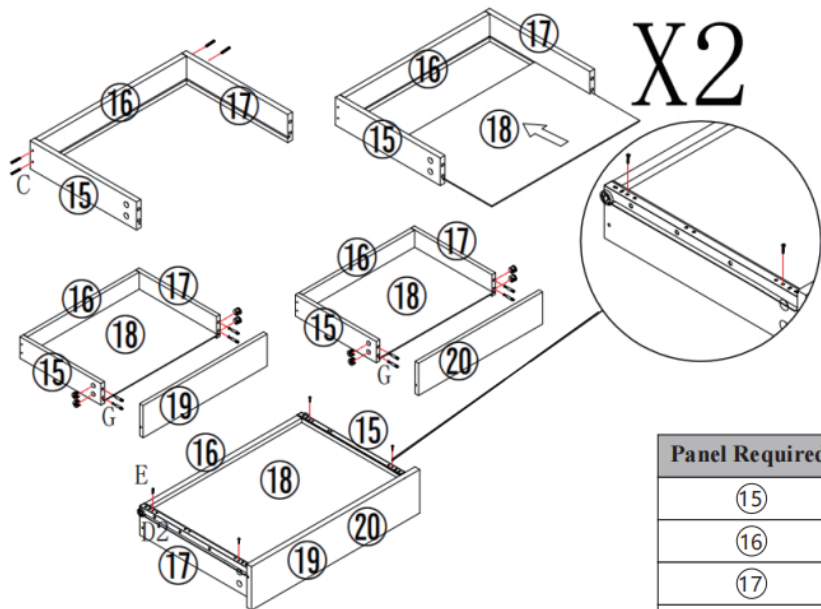
K*16

Panel Required	Qty
③	1
⑦	1
⑭	2

STEP 19

Assemble Big Drawer

- Insert 4pcs Hexagon Tapping Screw C to connect Panel ⑮, Panel ⑯ and Panel ⑰, and repeat one time.
- Place 1pc Panel ⑱, follow the grooves fit in, and repeat one time.
- Screw 8pcs Small Cambolt G to assemble Panel ⑲ and Panel ⑳ to Drawer Parts(Installed in Previous step), then tighten 8pcs Small Camlock G.
- Insert 4pcs Short Tapping Screw E to Panel ⑮ and Panel ⑰ through 2pcs of Slide Runner D2, and repeat one time.



C*8

D2*4

E*8

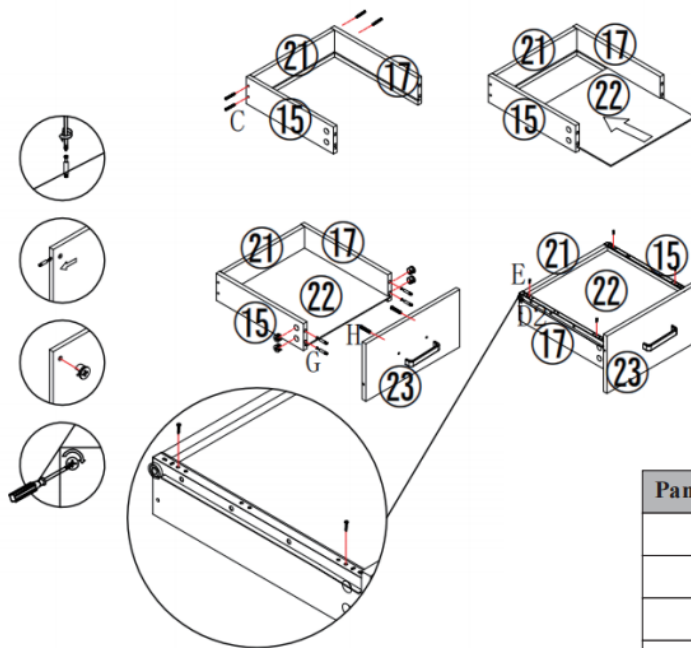
G*8

Panel Required	Qty
⑮	2
⑯	2
⑰	2
⑱	2
⑲	1
⑳	1

STEP 20

Assemble Small Drawer

- Insert 4pcs Hexagon Tapping Screw C to connect Panel 15, Panel 17 and Panel 21.
- Place 1pc Panel 22, follow the grooves and fit in, screw Drawer Handle H to Panel 22.
- Screw 4pcs Small Cambolt G to assemble Panel 15, Panel 17 to Drawer Parts(Installed in Previous step), then tighten 4pcs Small Camlock G.
- Insert 4pcs Short Tapping Screw E to Panel 15 and Panel 17 through 2pcs of Slide Runner D2.



X3

Panel Required	Qty
15	3
17	3
21	3
22	3
23	3

C*12 D2*6 G*12 H*3

STEP 21

Attach LED Bulbs

- Measure the location of 10 bulbs and mark out.
- Adjust the wire length of each bulb.
- Stick 10 LED bulbs.
- Adjust the wire length to fit better.

How to Install the Bulbs?



1. First measure the location to be installed, and mark it with Marker Pen



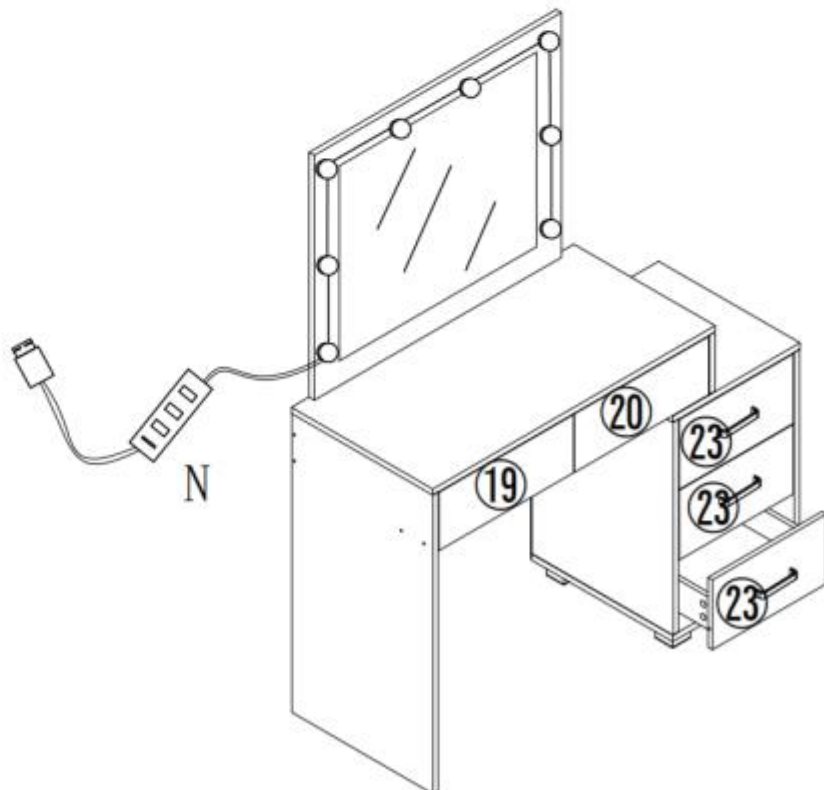
2. Adjust the LED light wire to a suitable distance, and put the LED light on the mirror to see if it is suitable



3. Stick the 3M tape on the LED bulb, and then stick the bulb on the mirror in turn



4. Finally adjust the bulb line to keep it neat

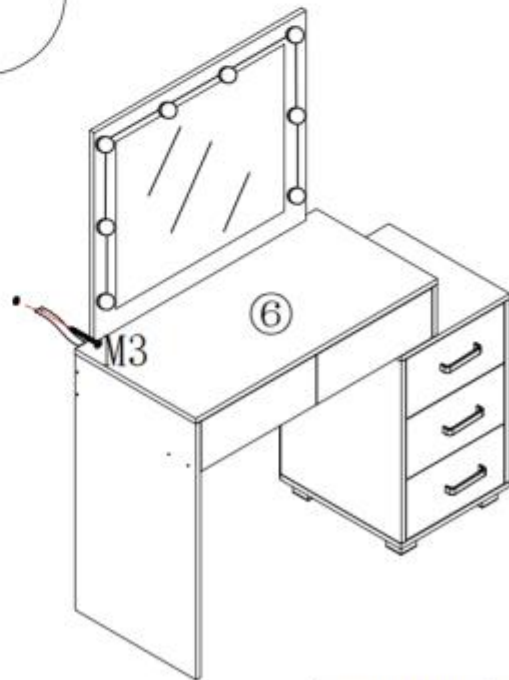
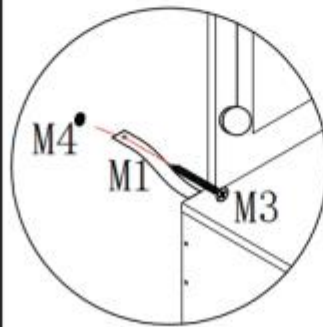
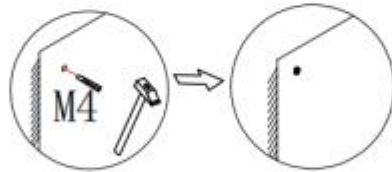
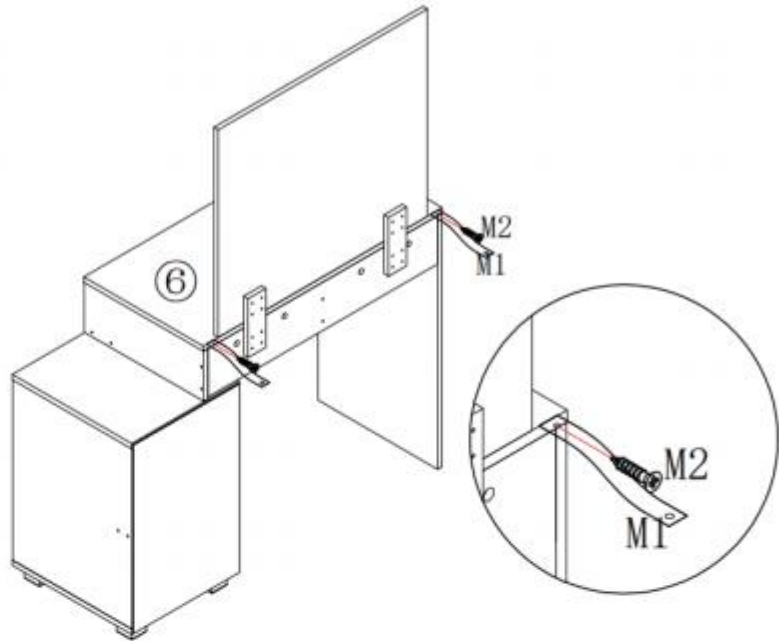


N*1

STEP 22

Anti-Tilt

- Insert Short Tapping Screws M2 into the cabinet by wall strap M1.
- Insert Long Tapping Screws M3 with Wall Plug M4 into the wall through wall strap M1 to prevent tilting.



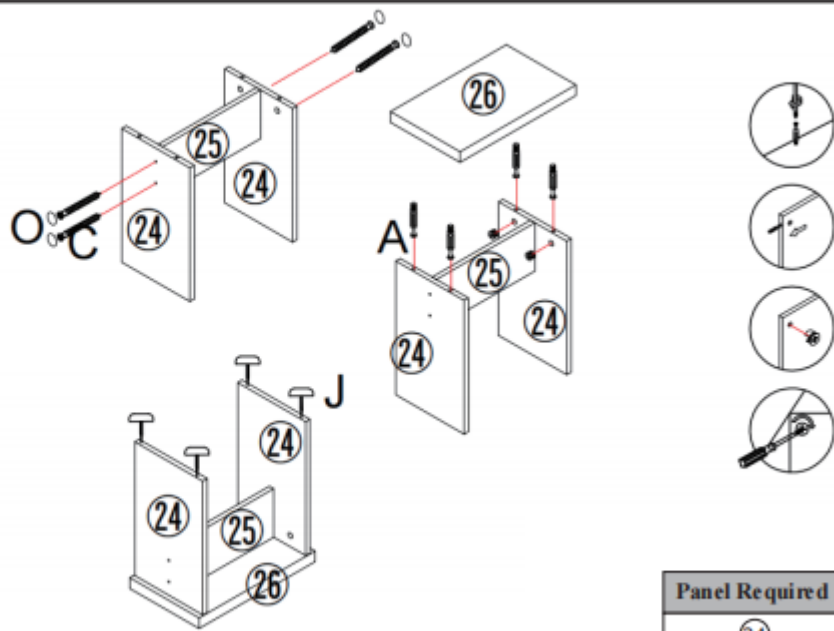
M1*2 M2*2 M3*2 M4*2

Panel Required	Qty
⑥	1

STEP 23

Assemble Dressing Stool

- Insert 4pcs Hexagon Tapping Screw C to connect 2pcs Panel ②④ and Panel ②⑤, place 4pcs Big Sticker O to cover Hexagon Tapping Screw C.
- Screw 4pcs Cambolt A to connect Panel ②④, Panel ②⑤ and Panel ②⑥, then tighten 4pcs Camlock A.
- Insert 4pcs Leg Pin J into the ends of Panel ②④.



Panel Required	Qty
②④	2
②⑤	1
②⑥	1

A*4

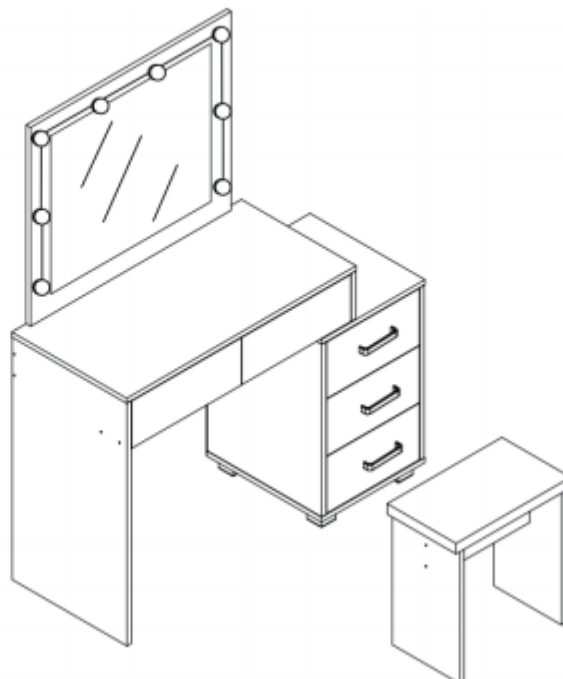
C*4

J*4

O*4

STEP 24

Get whole dressing table with extendable side cabinet.



PROTECTIVE FILM

Please remove the protective film before using.

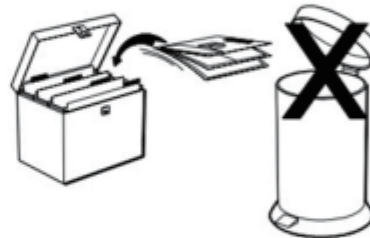
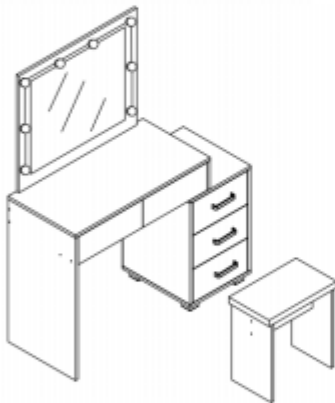


Assembly Completed

Your Dressing Table is now completely assembled

Periodically check to ensure that the components are in their proper position, free from damage

Also, make sure the connectors are tight and secure.



Keep instructions for future reference

WARNINGS

- ! This product should only be used on a firm and level floor.
- ! Keep small parts out of reach of children.
- ! Make sure the legs remain in contact with the floor.
- ! **DO NOT** use power tools to construct this product.
- ! **DO NOT** tighten screws until all parts are assembled or as advised in this guide.
- ! **DO NOT** over-tighten screws or bolts.
- ! **DO NOT** use this product if parts are missing, damaged or worn.
- ! **DO NOT** sit or stand on the product.

