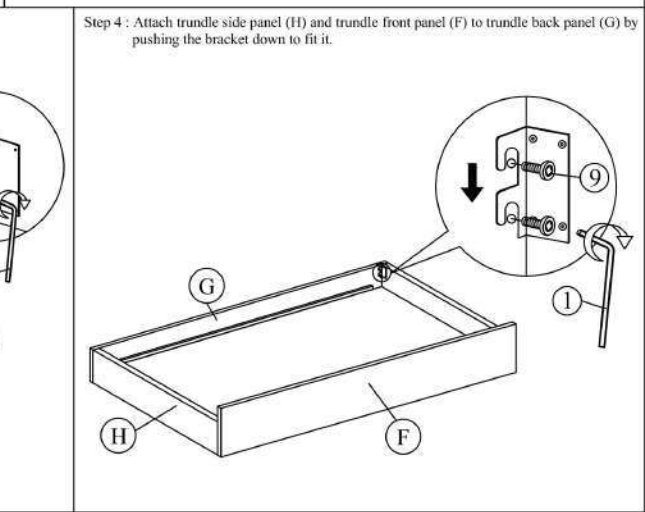
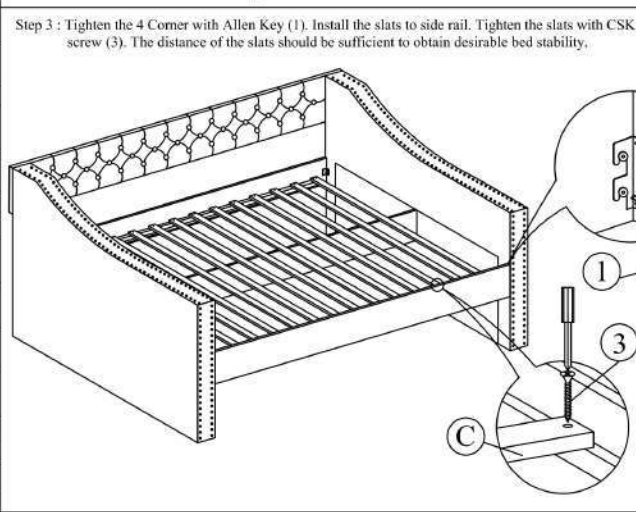
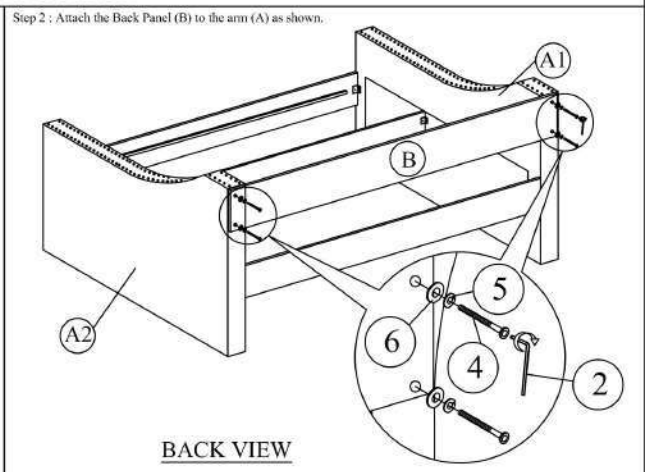
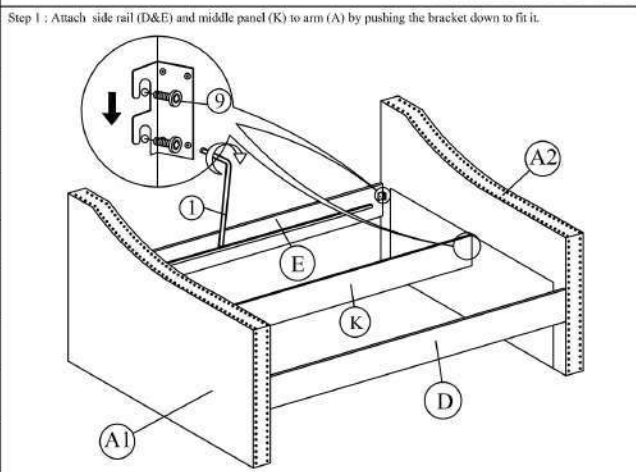


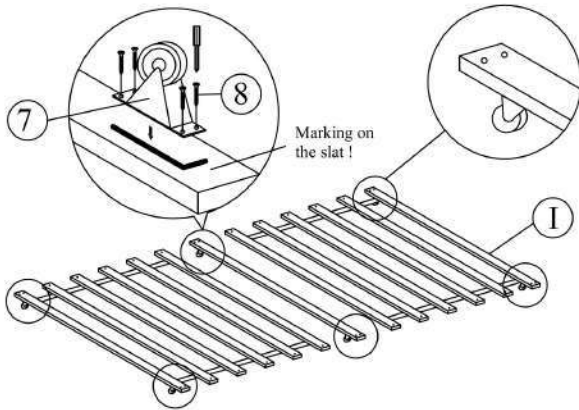
MODEL : CF 9228 (4'6")

ASSEMBLY INSTRUCTION

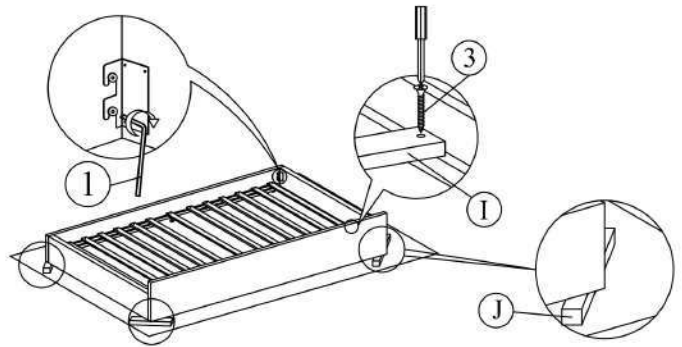
A		2 pcs
B		1 pc
C		1 pc
D		1 pc
E		1 pc
F		1 pc
G		1 pc
H		2 pcs
I		1 pc
J		4 pcs
K		1 pc
Packing Hardware		
1		1 pc
2		1 pc
3		64 pcs
4		4 pcs
5		4 pcs
6		4 pcs
7		6 pcs
8		24 pcs
9		20 pcs



Step 5 : Affix the roller (7) to the slat (I) follow the marking on the slat (I).



Step 6 : Place the wooden blocks (J) at the corner of the trundle and fix the slat (I) to the trundle front and back at (F) & (G).



Step 7 : Assembly is complete.

