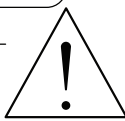
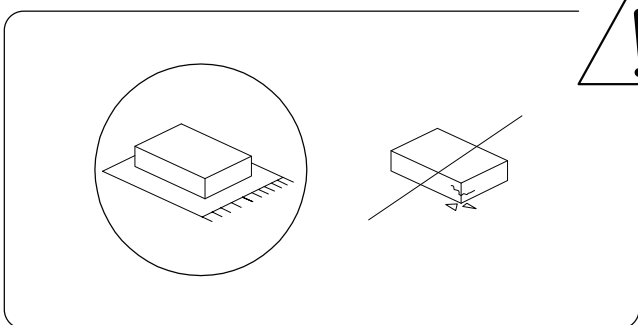
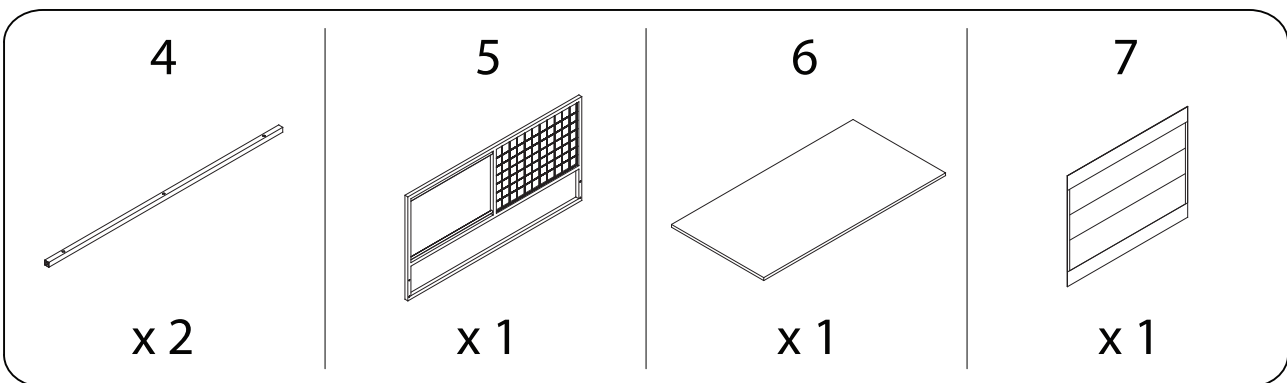
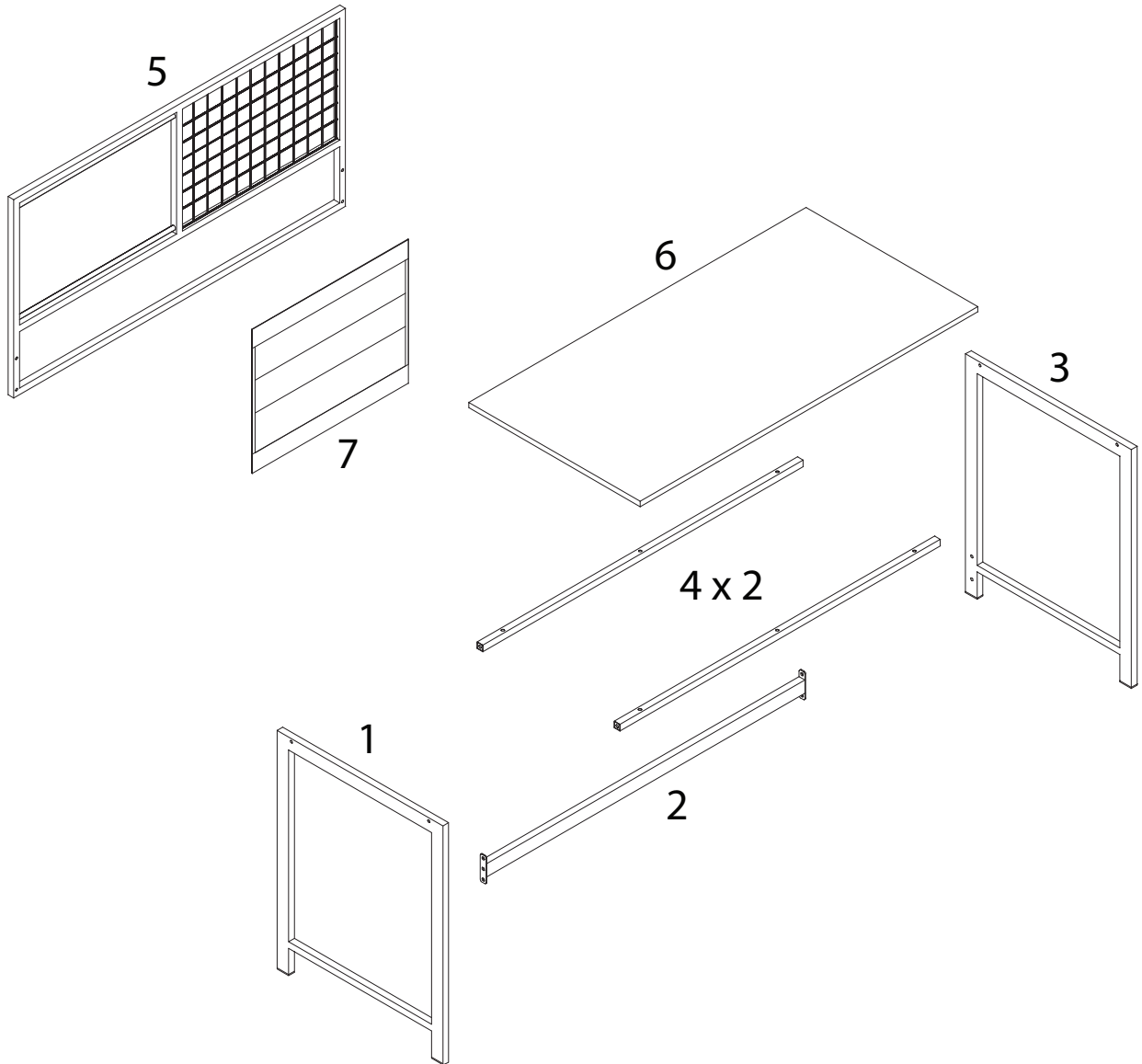
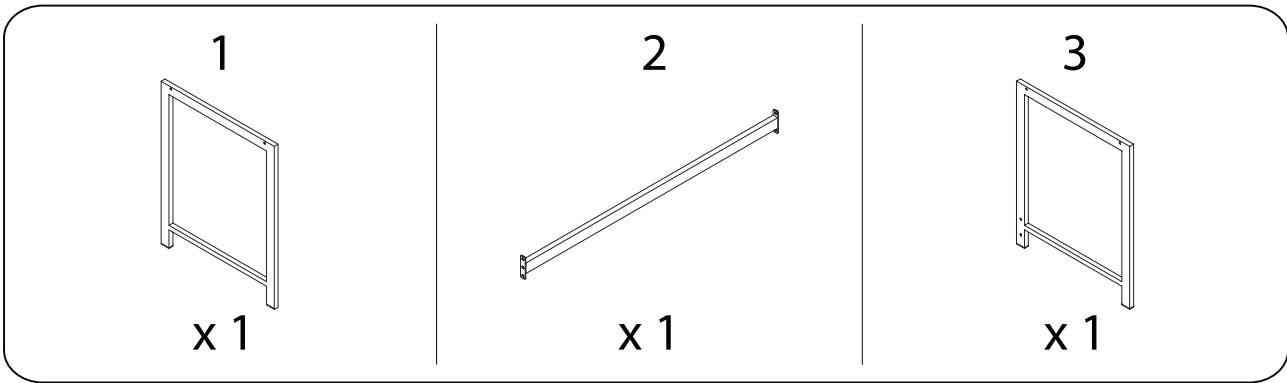


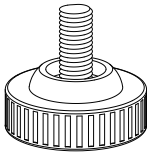
45'



2

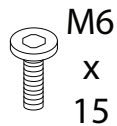


A



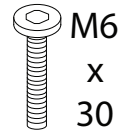
x 4

B



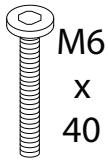
x 4

C



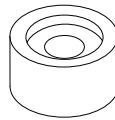
x 6

D



x 8

E



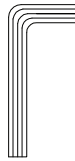
x 4

F



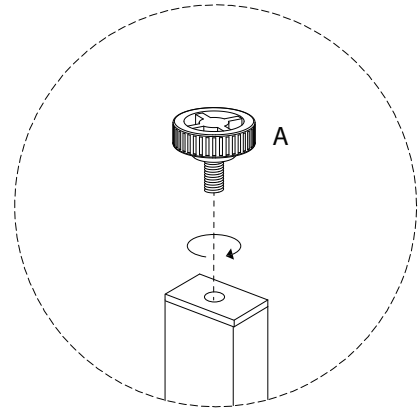
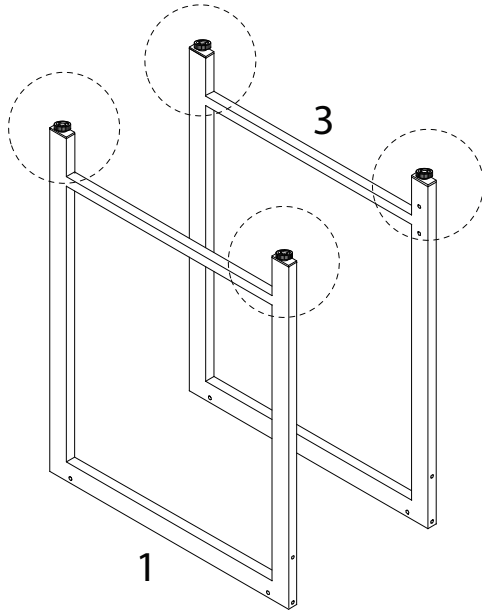
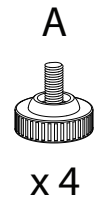
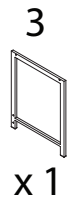
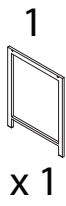
x 6

G

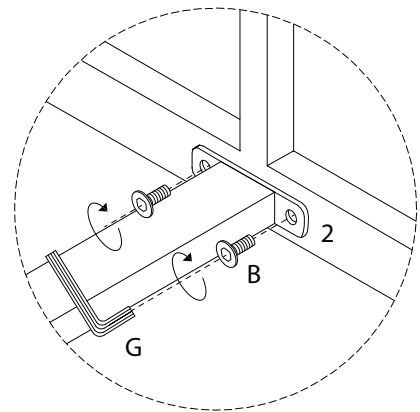
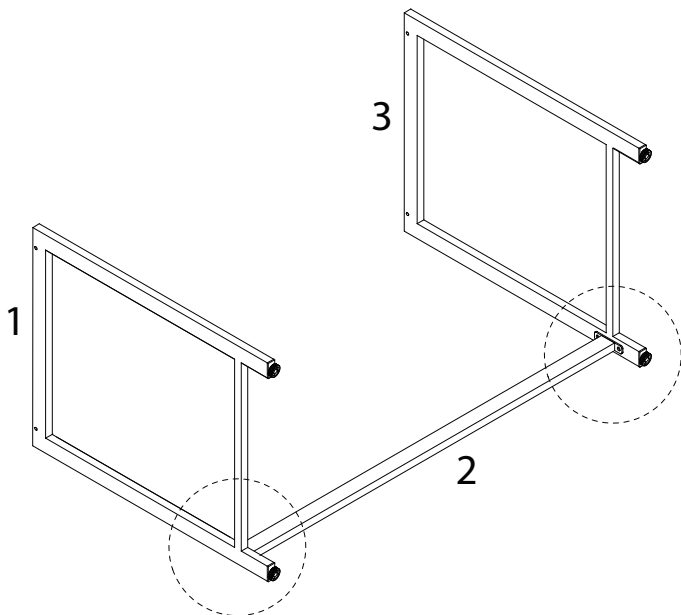
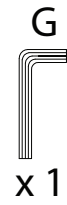
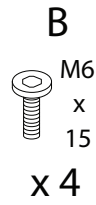
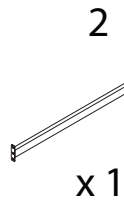


x 1

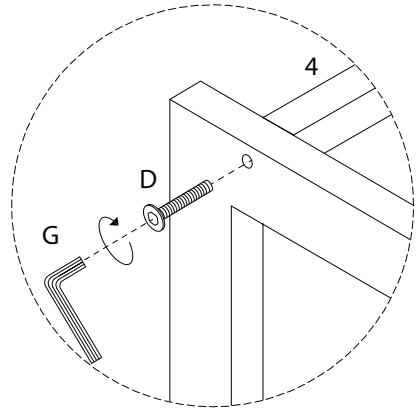
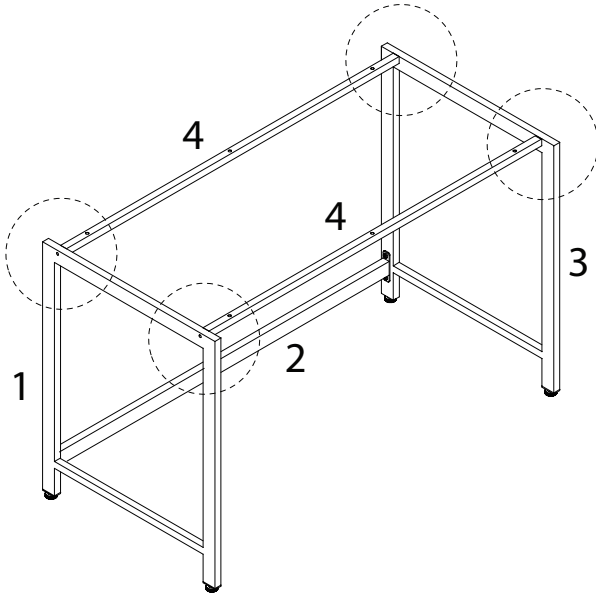
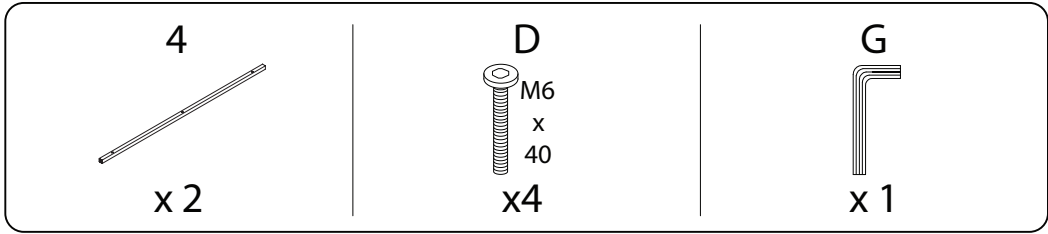
1



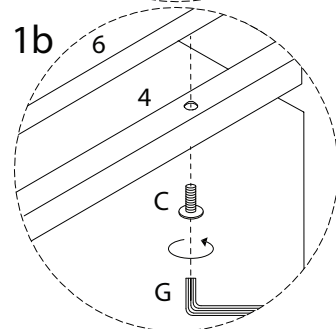
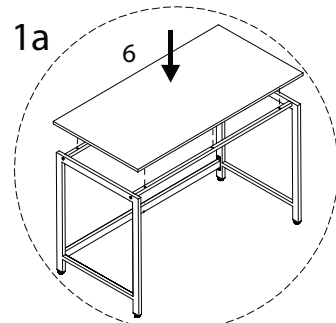
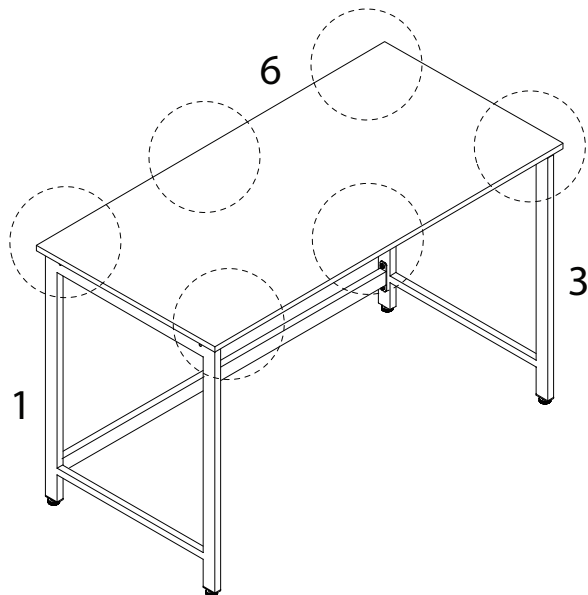
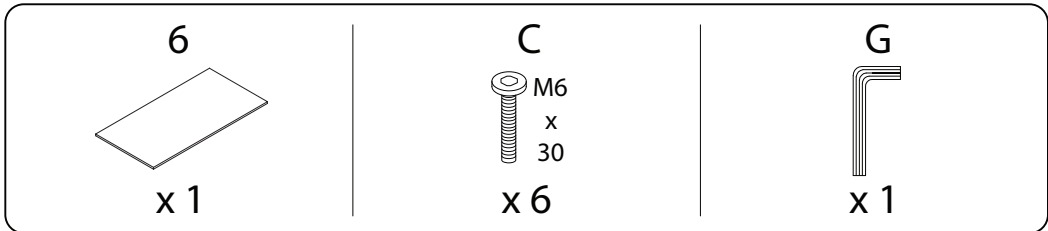
2



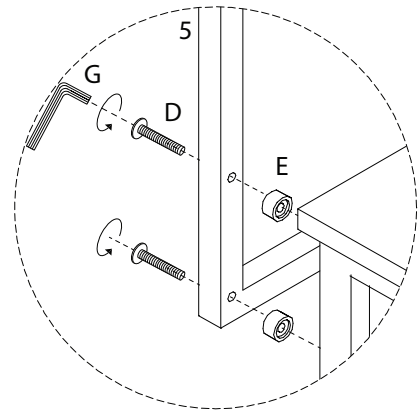
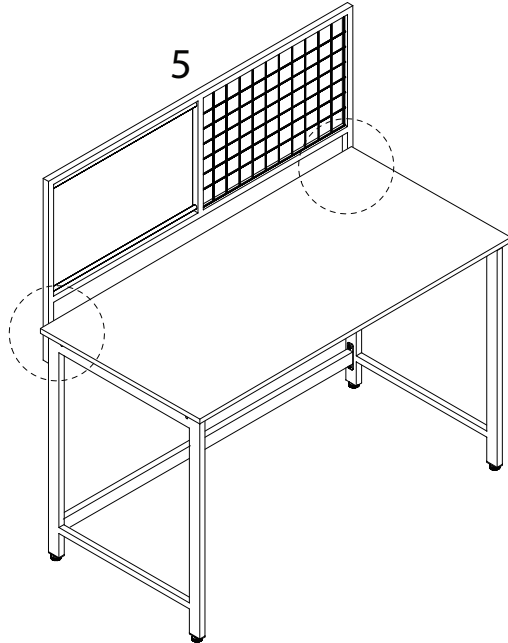
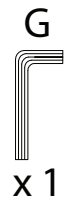
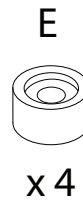
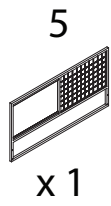
3



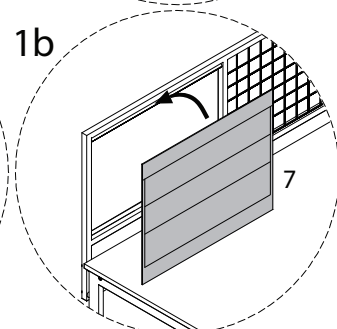
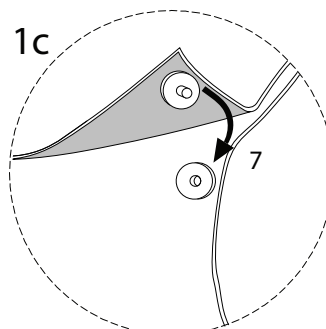
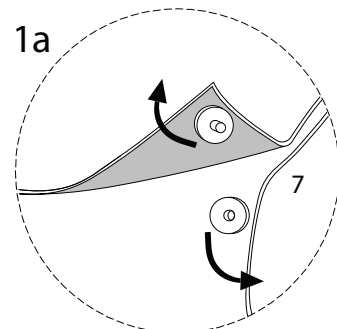
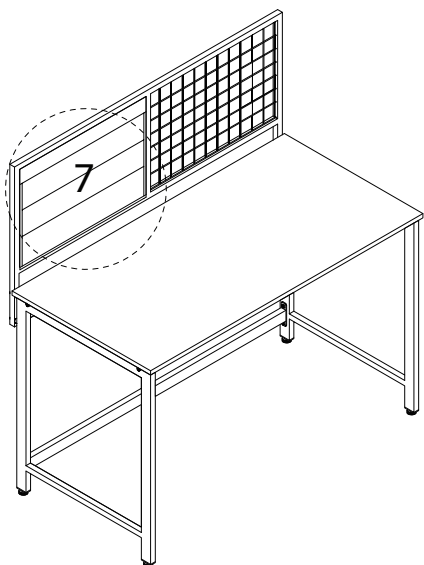
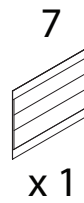
4



5



6



7

F



x 6

